



Water, as future.

**SPARE PARTS**  
2023

# THE BATHROOM'S CONTRIBUTION TO WATER SUSTAINABILITY

Water is a scarce resource today. In recent decades it has become an asset of great economic, but above all environmental, importance. Climate change has accentuated the phenomenon of water deregulation, so the rational use of water has become a priority. This concern is in OLI's DNA. Products that are thought from its design to its production, to contribute to an effective water sustainability. More efficiency, less waste and a conscious use of water.



## HOW TO SAVE WATER IN YOUR FLUSHING SYSTEM



### DUAL FLUSH

Combining an efficient valve and flush plate with half and full flush options.



### 4/2 L

The combination of a 4-litre (full flush) and 2-litre (half flush) flush tank and an efficient and suitable toilet for this purpose results in immediate water savings.

**SAVING 2 L**  
Complete Flush

**SAVING 1 L**  
Half flush



### CISTERN WITH 2 INLET VALVES

This flushing cistern is distinguished by having two water inlet valves in its architecture. One for drinking water from the mains and another for non-potable water designed for rainwater<sup>(1)</sup> but applicable to other waters (boreholes water or water wells) ensuring that only clear and filtered water<sup>(2)</sup> is used. In this way it's possible to reuse rainwater for toilet flushing, saving drinking water that is essential for human consumption. It allows a more efficient use of the water resource and a saving in the water bill.

**SAVE 100%**  
OF DRINKING WATER ON TOILET FLUSHING  
Exclusive connection to a second source of Water<sup>(1-2)</sup>

**SAVE 50%**  
OF DRINKING WATER ON TOILET FLUSHING  
Connection to water mains + Connection to a second water source<sup>(1-2)</sup>

<sup>(1)</sup> The use of an internal circuit for the use of rainwater must comply with legal regulations on this type of use (legislation applicable to the installation location). The same applies to water coming from other sources such as boreholes whose legal framework must be respected. The correct and efficient operation of the tank requires the water used to be clean and filtered.

<sup>(2)</sup> See the technical data sheet for the two inlet valves cistern for further specifications.





**70%**

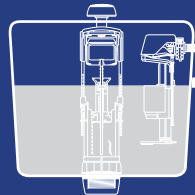
OF WATER CONSUMPTION IN A HOUSE TAKES PLACE IN THE BATHROOM



**30%**

OF WATER CONSUMPTION IN THE BATHROOM TAKES PLACE IN FLUSHING

INLET VALVE IN CLOSED POSITION



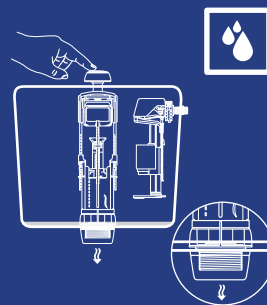
**PLUS SYSTEM**

This is a system created by OLI in which the inlet valve delays the inflow of water into the tank to prevent extra water being used for flushing. While flushing takes place, no new water enters the tank. This allows saving up to 9 litres of water per day, corresponding to a 12% reduction in water bill.

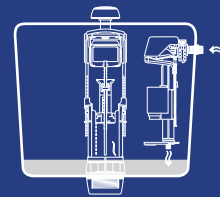
**SAVE UP TO 9L**  
OF WATER PER DAY<sup>2)</sup>

<sup>2)</sup> Based on the average usage in a single-family home of 4 person with flushing cisterns without plus technology, with 18 flushes per day. Bill savings vary according to the tariffs applied in each market.

OPERATION MODE  
DUAL FLUSH

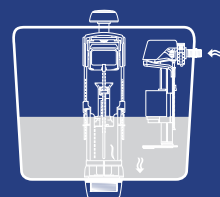
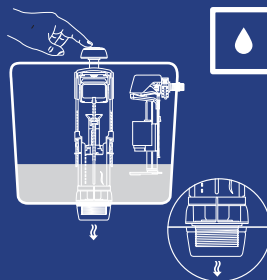


The cistern is emptied faster than the delaying system, while the inlet valve remains closed.



Once the water is flushed, the outlet valve closes and the delaying system makes the inlet valve open to fill the tank.

OPERATION MODE  
HALF FLUSH







If you want to learn more about OLI's entire range, please see the catalog:

**SANITARY SYSTEMS 2022 | 2023**

CODE C.0050.07-02.2023 - ZB03000000052

OLI – Sistemas Sanitarios, S.A. reserves the right to make changes to the products in this catalogue without notice.

Product images are for illustrative purposes only and may differ from the actual product.

For more information, please visit [www.oli-world.com](http://www.oli-world.com).






# INDEX

PRODUCTS	PAGE	
<b>IN-WALL CISTERNS</b>		
	OLI120 PLUS	8
	OLI74 PLUS	10
	HAPPY AIR / HAPPY AIR PLUS	12
	EXPERT PLUS	12
	QUADRA PLUS	14
	OLI80	15
<b>SANITARY MODULES</b>		
	QR-INOX	16
	SEAL BOX	17
<b>GAMA EASY MOVE</b>		
	EASY MOVE WC	18
	EASY MOVE WASHBASIN	19
<b>FRAMES</b>		
	DOUBLE WC/URINAL/WASHBASIN	20
	OLI74 PLUS DOUBLE FRAME WC / WC	21
	SIMFLEX	22
	SANITARBLOCK	23
	BIDET/WAHSBASIN	24
	4 WC FIXATION POINTS	24
	URINAL	25
	ECO URINAL	25
	WC FRAME FOR FLUSH VALVE	26
	SHOWER FRAME	26
<b>FLUSH PLATES</b>		
	LESS IS MORE	27
	INO-X	27
	OCEANIA	28
	GLOBE	28
	PLAIN	28
	SLIM	29
	GLAM	29
	NARROW	29
	RIA/RIA STOP	30
	METAL	30
TRUMPET	31	

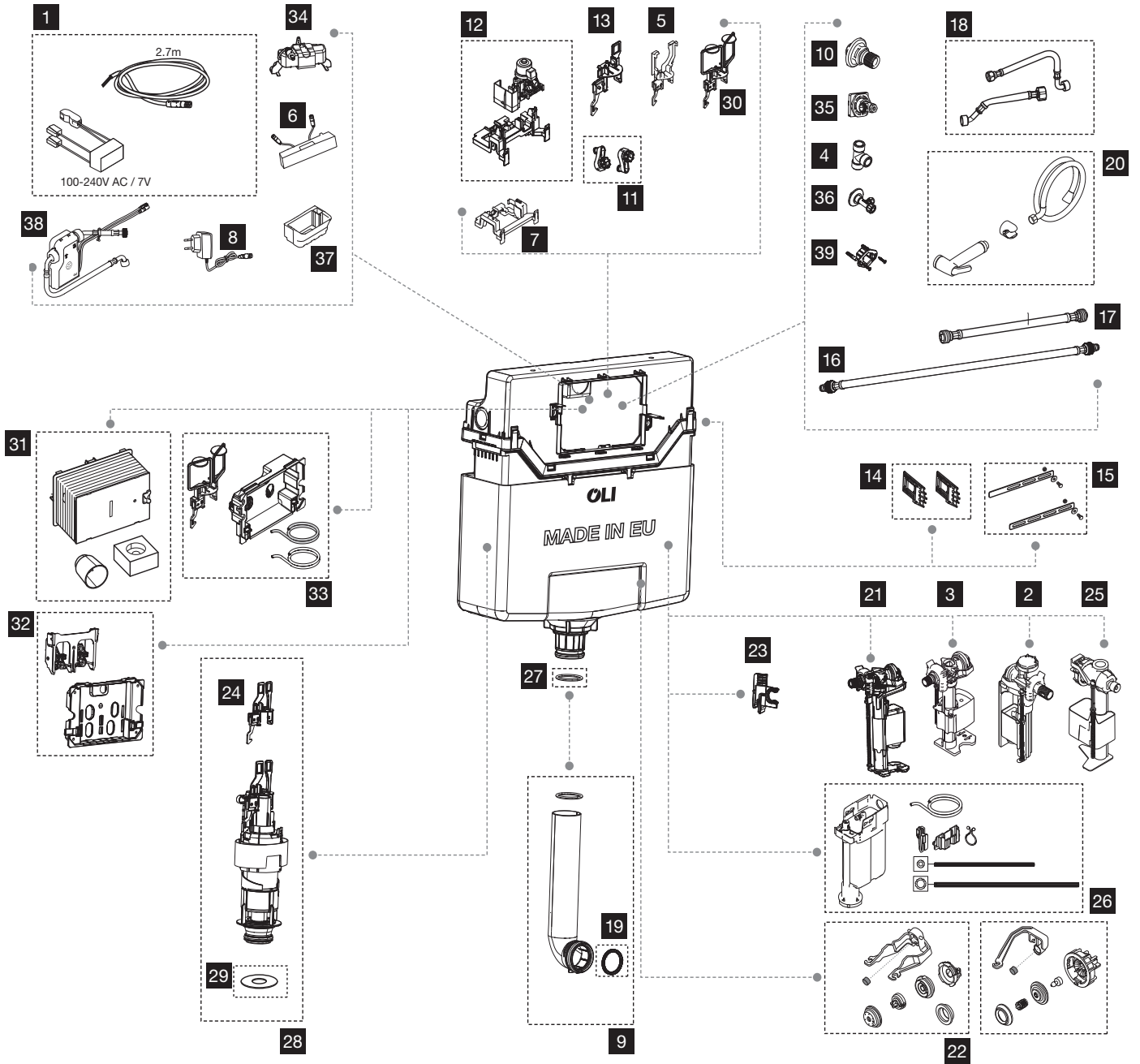
<b>PRODUCTS</b>	<b>PAGE</b>
BLINK	31
SM15	31
KARISMA	32
SALINA	32
SEAMLESS	32
MINI TREND	33
MONO TREND	33
PNEUMATIC	33
GLASSY	34
MOON	34
ELECTRA III	35
eLINE	35
BLINK URINAL	36
SM15 URINAL	36
GLOBE URINAL	37
EAQUA URINAL	37
<b>EXPOSED FLUSH CISTERNS</b>	
QUARZO / SMERALDO DD / IVORY DD	38
TOPAZIO DD / TOPAZIO	39
ONIX PLUS 2 IN 1	40
ZAFFIRO	41
TURCHESE / OLISTYLE / RUBINO	42
<b>MECHANISMS</b>	
INLET VALVES	43
OUTLET VALVES	44

# INDEX - OUT OF RANGE

PRODUCTS	PAGE	
<b>IN-WALL CISTERNS</b>		
	EVO 330	46
	DIAMANTE	47
	BETTER	48
	GIADA	49
	EXPERT/CORNER	50
	HAPPY AIR	51
<b>FLUSH PLATES</b>		
	TREND	51
	RIVER	51
	ELECTRA I	52
	ELECTRA II	52
	GIADA	52
	ORIENTE	53
	DIAMANTE	53
	STREAM	54
	ELETRONIC	54
	URINAL	54
	ELECTRA URINAL	54
	CLASSIC	55
	DUAL	55
	<b>EXPOSED FLUSH CISTERNS</b>	
	HAVANA	56
	GEMMA / IVORY	57

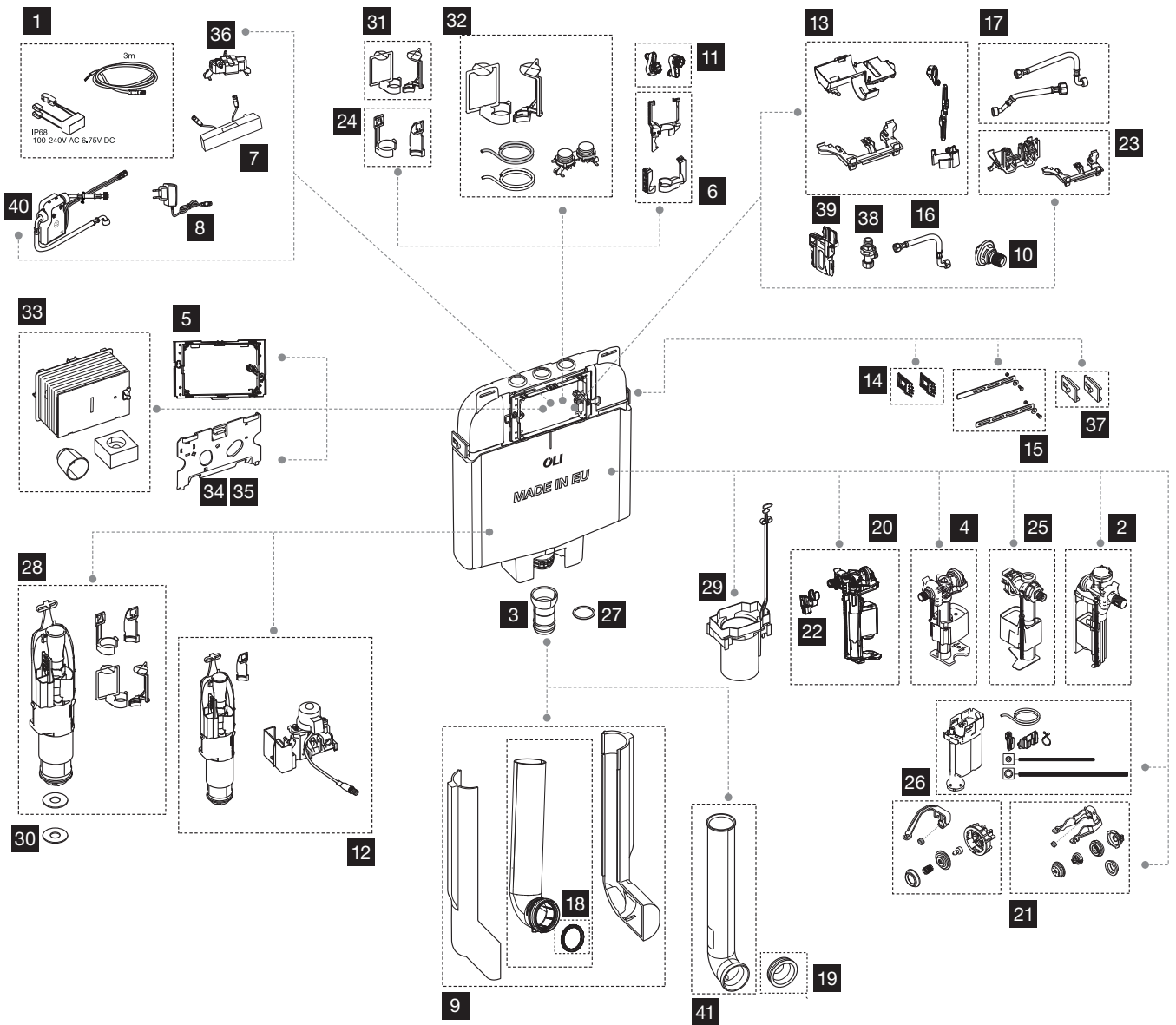


OLI120 PLUS / OLI120



NR.	CODE	DESCRIPTION	QT. CODE
1	878674	AC TRANSFORMER	1
2	883111	INLET VALVE AG104 PLUS 3/8P	
3	882654	INLET VALVE AZOR 3/8" OLIPURE	1
4	878934	BRASS CONNECTION 3/8 SHT	1
5	878768	CAP HYDROBOOST/CAP AC OUTLET VALVE ANCHORS	1
6	878680	CAP SENSOR	1
7	878746	CENTRAL BLOCK	1
8	878676	CHARGER	1
9	101761	COMPLETE FLUSH PIPE	1
10	878675	CONNECTION INLET VALVE AZOR	1
11	011150	FLUSH PLATE FIXERS	2
12	878810	ELECTRONIC ACTUATOR	1
13	878809	ELECTRONIC ANCHORS	1
14	101759	FIXATION FOR SANITARBLOCK FRAME	2
15	021210	FIXATION KIT WITHOUT FRAME	2
16	878932	FLEXIBLE HOSE 1/2FX3/8F 1200 SHT	1
17	101754	FLEXIBLE HOSE 3/8 / 3/8 X 350	1
18	878852	FLEXIBLE PIPES (TURBINE)	1
19	101753	FLUSH PIPE SEAL Ø45	5
20	878933	HAND SHOWER	1
21	091096	INLET VALVE AZOR PLUS 3/8	1
22	012001	INLET VALVE MEMBRANE AZOR	1
23	101749	INLET VALVE SUPPORT	5
24	101745	MECHANIC OUTLET VALVE ANCHORS	1
25	882495	INLET VALVE NANO PLUS 3/8"	1
26	181713	OLIPURE KIT	1
27	885728	O-RING Ø40	5
28	101756	OUTLET VALVE	1
29	883174	OUTLET VALVE SEAL	5
30	877843	PNEUMATIC OUTLET VALVE ANCHORS	1
31	026698	PROTECTIVE BOX >09	1
32	101757	PROTECTIVE PLATE WITH MECHANIC OUTLET VALVE LEVER	1
33	154084	PROTECTIVE PLATE WITH PNEUMATIC SET	1
34	878681	SERVOMOTOR BLOCK	1
35	101755	STOP VALVE	1
36	878937	STOP VALVE 1/2X10 SHT	1
37	878678	TURBINE SUPPORT	1
38	879252	TURBINE WITH FLEXIBLE PIPES	1
39	878939	WALL FIXATION SHT	1

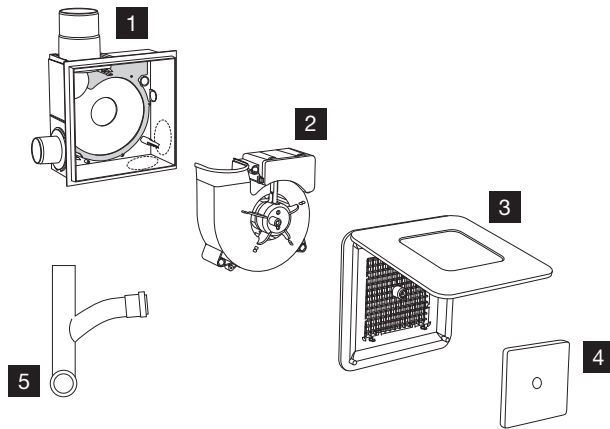
OLI74 PLUS



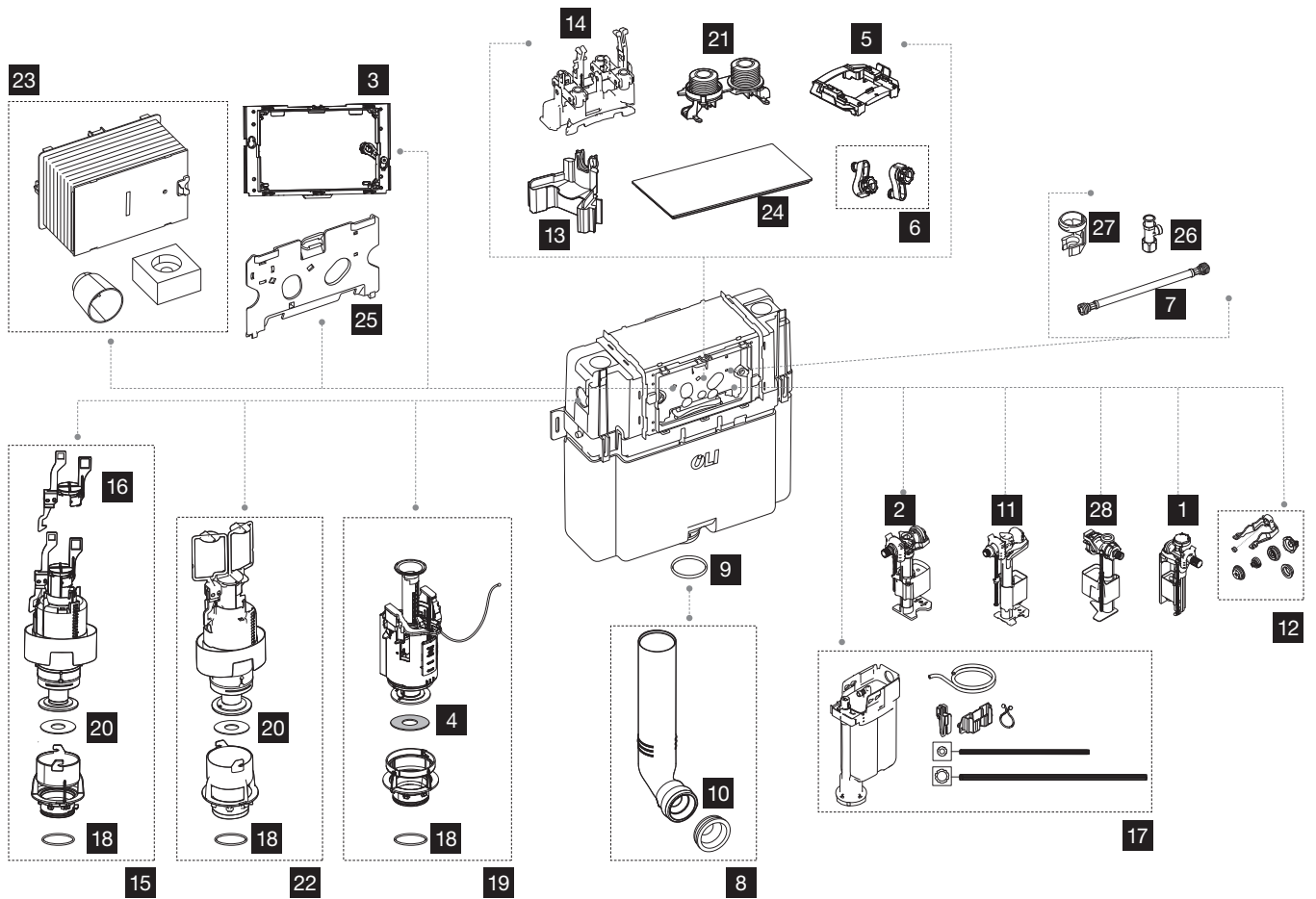


NR.	CODE	DESCRIPTION	QT. CODE
1	878674	AC TRANSFORMER	1
2	883111	INLET VALVE AG104 PLUS 3/8P	
3	049504	ARTICULATED PIPE WITH O-RING	1
4	882654	INLET VALVE AZOR 3/8" OLIPURE	1
5	011195	BASE FOR PROTECTIVE BOX	1
6	074745	CAP HYDROBOOST/CAP AC OUTLET VALVE ANCHORS	1
7	878680	CAP SENSOR	1
8	878676	CHARGER	1
9	887867	COMPLETE FLUSH PIPE >2023 D55X260 + SEAL + FOAM	1
10	878675	CONNECTION INLET VALVE	1
11	011150	CONTROL PLATE FIXERS	2
12	077754	ELECTRONIC KIT (FLUSH VALVE INCLUDED)	1
13	036936	ELECTRONIC SYSTEM SET < 14	1
14	006973	FIXATION FOR SANITARBLOCK FRAME	10
15	021210	FIXATION KIT WITHOUT FRAME	2
16	033424	FLEXIBLE HOSE 3/8 / 3/8 X 190	1
17	878851	FLEXIBLE PIPES (TURBINE)	1
18	101753	FLUSH PIPE SEAL D45	1
19	021209	FLUSH PIPE SEAL Ø40/45 < 2023 DIRECT VERSION	5
20	091096	INLET VALVE AZOR PLUS 3/8	1
21	012001	INLET VALVE MEMBRANE AZOR	1
22	125350	INLET VALVE SUPPORT	5
23	011973	LEVER BLOCK	1
24	011440	MECHANIC OUTLET VALVE ANCHORS	1
25	882495	INLET VALVE NANO PLUS 3/8"	1
26	181713	OLIPURE KIT	1
27	021212	O-RING Ø37	5
28	002992	OUTLET VALVE	1
29	026701	OUTLET VALVE GUIDE	1
30	883028	OUTLET VALVE SEAL 60X23.8X2.7	5
31	878811	PNEUMATIC OUTLET VALVE ANCHORS	1
32	601527	PNEUMATIC SET	1
33	026698	PROTECTIVE BOX >09	1
34	053424	PROTECTIVE PLATE <09	1
35	021271	PROTECTIVE PLATE >09	1
36	878681	SERVOMOTOR BLOCK	1
37	006971	SIMFLEX FIXATION	10
38	011972	STOP VALVE	1
39	878679	TURBINE SUPPORT	1
40	878677	TURBINE WITH FLEXIBLE PIPES	1
41	021266	FLUSH PIPE D55X360 < 2023 DIRECT VERSION + SEAL	2

HAPPY AIR > 2019



EXPERT PLUS

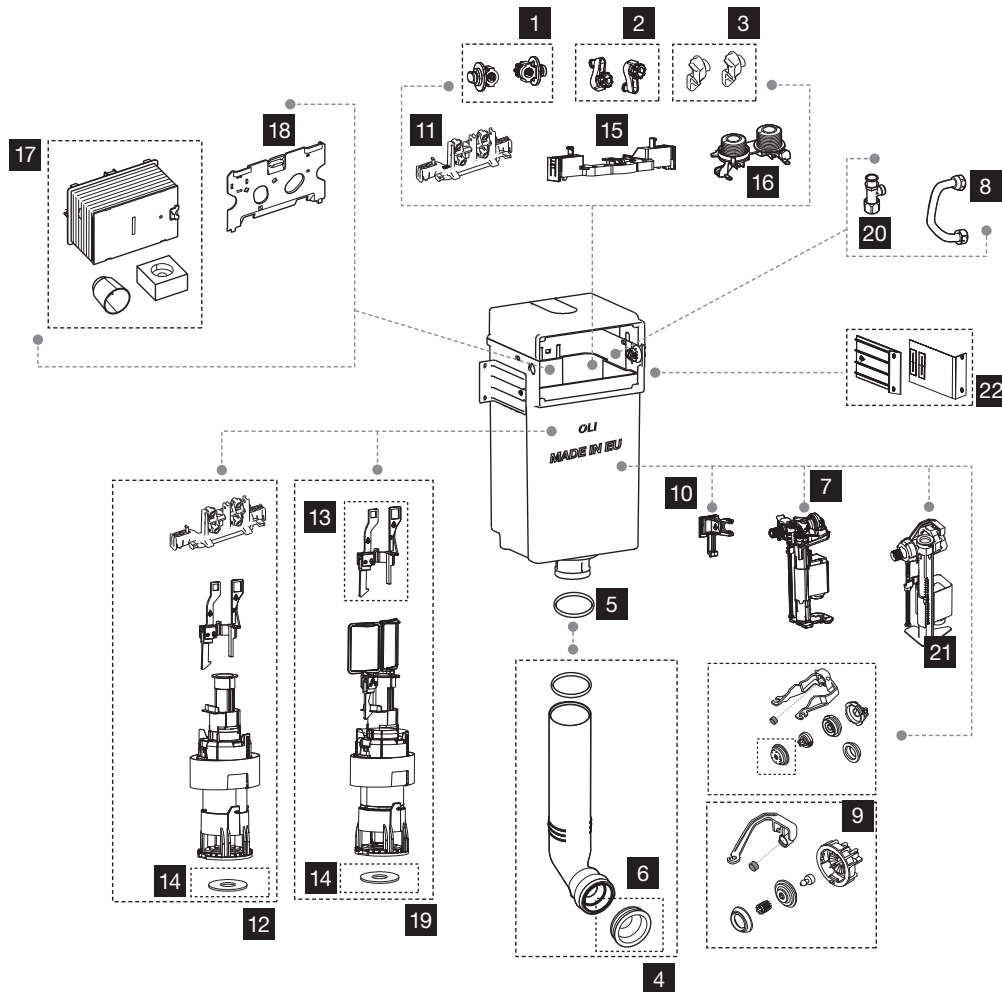


NR.	CODE	DESCRIPTION	QT. CODE
1	880710	FAN BOX	1
2.1	880713	HAPPY AIR FAN	1
2.2	880714	HAPPY AIR PLUS FAN	1
3.1	880711	COVERING PLATE FOR HAPPY AIR	1
3.2	880712	COVERING PLATE FOR HAPPY PLUS	1
4	880715	FILTER FOR HAPPY AIR AND HAPPY AIR PLUS	5
5.1	054673	"Y" FLUSH PIPE (OLI74)	1
5.2	882829	"Y" FLUSH PIPE (OLI120PLUS)	1

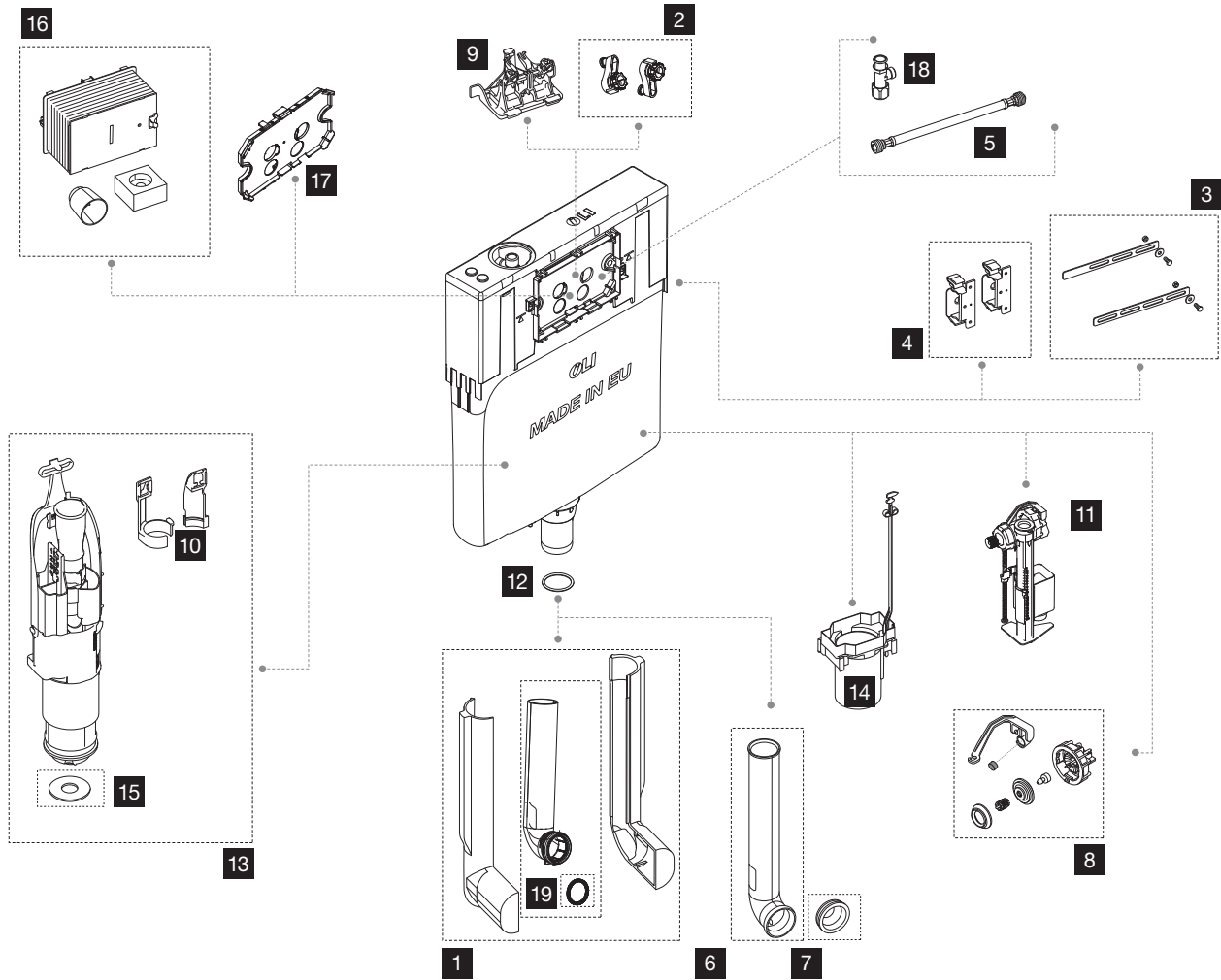
NR.	CODE	DESCRIPTION	QT. CODE
1	883111	INLET VALVE AG104 PLUS 3/8P	
2	882654	INLET VALVE AZOR 3/8" OLIPURE	1
3	011195	BASE FOR PROTECTIVE BOX	1
4	883226	CABLE OUTLET VALVE SEAL 60X26.5X2	5
5	021269	CENTRAL BLOCK	1
6	011150	CONTROL PLATE FIXERS	2
7	021270	FLEXIBLE HOSE 3/8 / 3/8 X 300	1
8	011982	FLUSH PIPE 315	1
9	033313	FLUSH PIPE O-RING Ø55	5
10	021209	FLUSH PIPE SEAL Ø40/45	5
11	021203	INLET VALVE AZOR PLUS 3/8"	1
12	012001	INLET VALVE MEMBRANE AZOR	1
13	011954	INLET VALVE SUPPORT	1
14	033303	LEVER BLOCK	1
15	033125	MECHANIC OUTLET VALVE	1
16	056934	MECHANIC OUTLET VALVE ANCHORS	1
17	181713	OLIPURE KIT	1
18	883224	O-RING VALVE GUIDE	5
19	030484	OUTLET VALVE CABLE	1
20	883028	OUTLET VALVE SEAL 60X23.8X2.7	5
21	033301	PNEUMATIC BLOCK BELLOWS	1
22	033126	PNEUMATIC OUTLET VALVE	1
23	026698	PROTECTIVE BOX >09	1
24	033314	PROTECTIVE PLATE	1
25	021271	PROTECTIVE PLATE >09	1
26	021206	STOP VALVE	1
27	021272	STOP VALVE SUPPORT	1
28	882495	INLET VALVE NANO PLUS 3/8"	1



## QUADRA PLUS

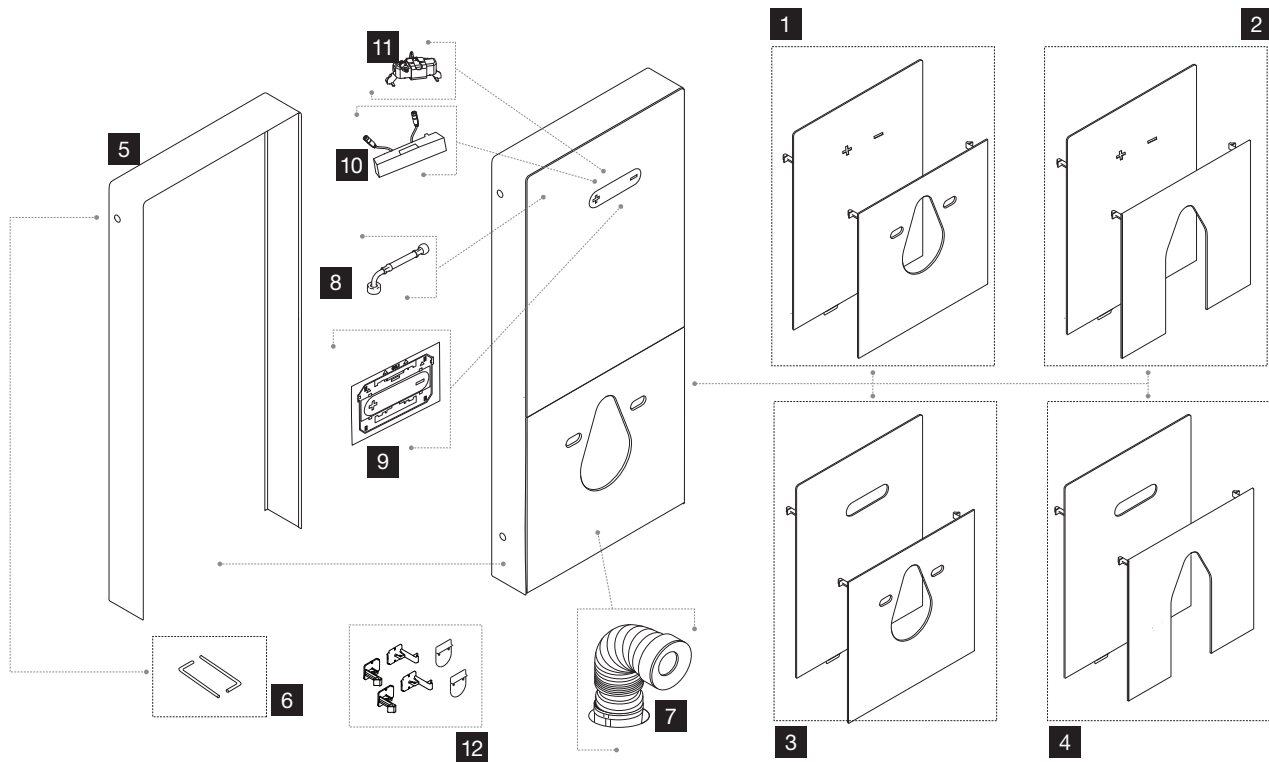


NR.	CODE	DESCRIPTION	QT. CODE
1	036964	CONTROL PLATE FIXERS <17	2
2	011150	CONTROL PLATE FIXERS >17	2
3	205104	CONTROL PLATE FIXERS AND CISTERN HOLDER > 17	2
4	011982	FLUSH PIPE 315	1
5	033313	FLUSH PIPE O-RING Ø55	5
6	021209	FLUSH PIPE SEAL Ø40/45	5
7	021203	INLET VALVE AZOR PLUS 3/8"	1
8	036970	INLET VALVE CONNECTION	1
9	012001	INLET VALVE MEMBRANE AZOR	1
10	036958	INLET VALVE SUPPORT	1
11	011911	LEVER BLOCK	1
12	205107	MECHANIC KIT <17	1
13	056971	MECHANIC OUTLET VALVE ANCHORS	1
14	883028	OUTLET VALVE SEAL 60X23.8X2.7	5
15	036963	PNEUMATIC BLOCK	1
16	033301	PNEUMATIC BLOCK BELLOWS	1
17	026698	PROTECTIVE BOX >17	1
18	021271	PROTECTIVE PLATE >17	1
19	036972	QUADRA PLUS PNEUMATIC/MECHANIC OUTLET VALVE	1
20	021206	STOP VALVE	1
21	882495	INLET VALVE NANO PLUS 3/8"	1
22	036962	CISTERN FIXATION	2



NR.	CODE	DESCRIPTION	QT. CODE
1	887867	COMPLETE FLUSH PIPE >2023 D55X260 + SEAL + FOAM	1
2	011150	CONTROL PLATE FIXERS	2
3	021210	FIXATION KIT WITHOUT FRAME	2
4	021213	FIXERS	2
5	021204	FLEXIBLE HOSE 3/8 / 3/8 X 250	1
6	021266	FLUSH PIPE D55X360 < 2023 DIRECT VERSION	1
7	021209	FLUSH PIPE SEAL Ø40/45 < 2023 DIRECT VERSION	5
8	880608	INLET VALVE MEMBRANE NANO	1
9	026709	LEVER BLOCK	1
10	011440	MECHANIC OUTLET VALVE ANCHORS	1
11	887872	INLET VALVE NANO	1
12	021212	O-RING Ø37	5
13	002992	OUTLET VALVE	1
14	883906	OUTLET VALVE GUIDE	1
15	883028	OUTLET VALVE SEAL 60X23.8X2.7	5
16	026698	PROTECTIVE BOX >09	1
17	033412	PROTECTIVE PLATE	1
18	021206	STOP VALVE	1
19	101753	FLUSH PIPE SEAL D45	1

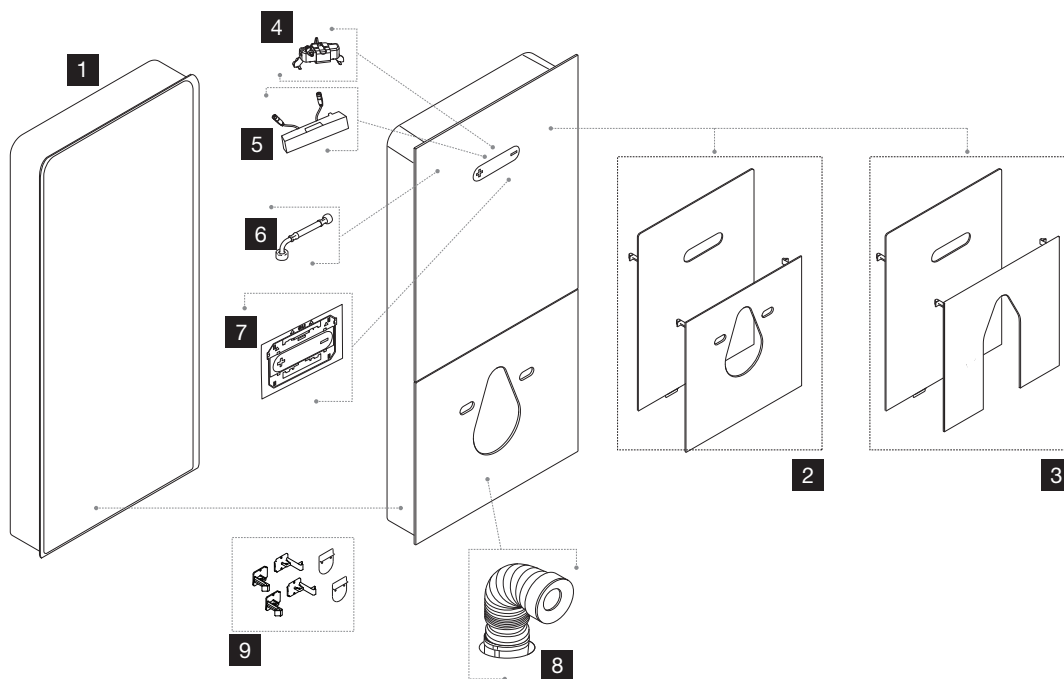
SANITARY MODULES - QR-INOX



NR.	CODE	DESCRIPTION	QT. CODE
1.2	079887	QR CAP/HUNG GLASSES BLACK	1
2.1	079894	QR CAP/FLOOR GLASSES WHITE	
2.2	079889	QR CAP/FLOOR GLASSES BLACK	1
3.1	079890	QR BUTTON/HUNG GLASSES WHITE	1
3.2	079886	QR BUTTON/HUNG GLASSES BLACK	1
3.3	878723	QR BUTTON/HUNG GLASSES TAUPE	1
3.4	878724	QR BUTTON/HUNG GLASSES ANTHRACITE	1
4.1	079893	QR BUTTON/FLOOR GLASSES WHITE	1
4.2	079888	QR BUTTON/FLOOR GLASSES BLACK	1
5	079927	QR-INOX SIDE FRAME	1
6	079928	SCREWDRIVERS FOR MAINTENANCE ACCESS	2
7	079929	FLEXIBLE OUTLET WC BEND	1
8	079932	QR-INOX BUTTON FLEXIBLE HOSE	1
9	079937	QR-INOX PUSH BUTTON	1
10	878680	CAP SENSOR	1
11	878681	SERVOMOTOR BLOCK	1
12	888012	GLASS FIXATIONS SUPPORT	1

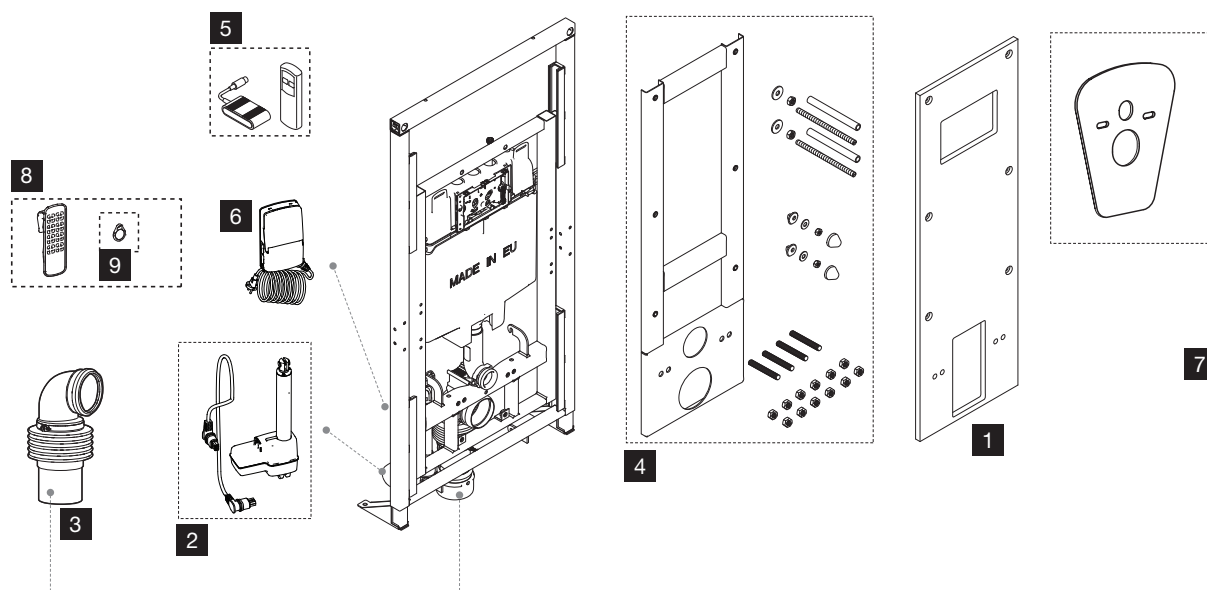


SEAL BOX



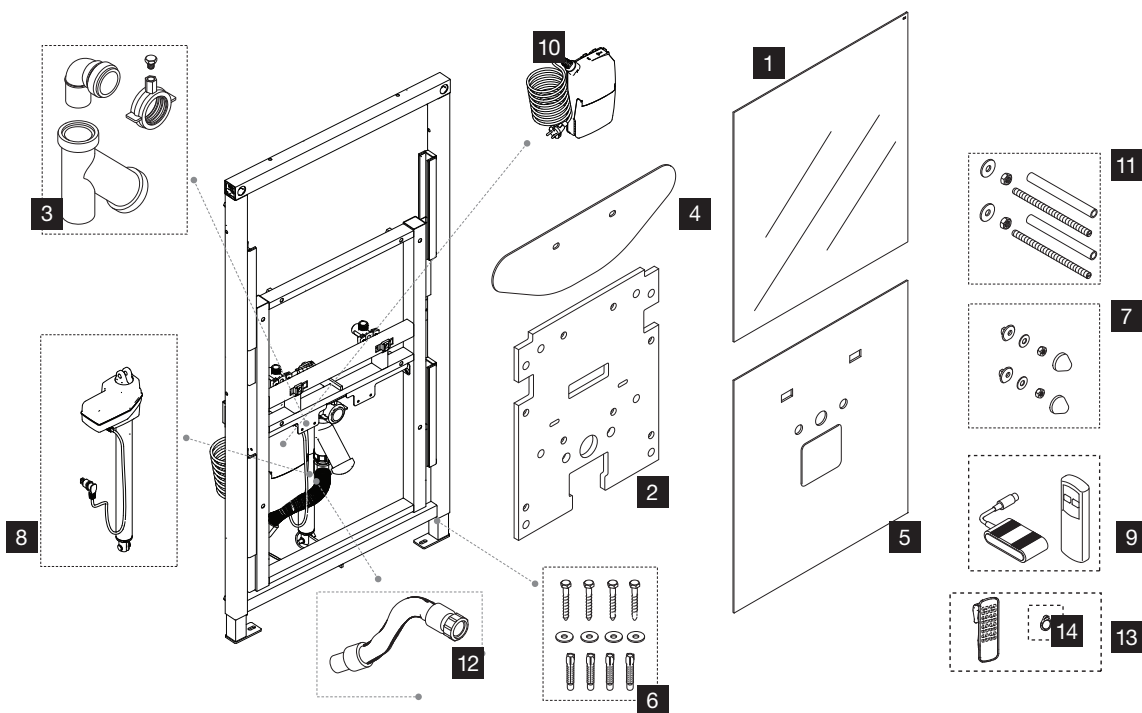
NR.	CODE	DESCRIPTION	QT. CODE
1	883198	BOX SEAL BOX	1
2.1	880636	SEAL BOX WHITE BUTTON TOP GLASS	1
2.2	880635	SEAL BOX BLACK BUTTON TOP GLASS	1
3.1	880653	SEAL BOX WHITE BUTTON FLOOR GLASS	1
3.2	880652	SEAL BOX BLACK BUTTON FLOOR GLASS	1
4	878681	SERVOMOTOR BLOCK	1
5	878680	CAP SENSOR	1
6	079932	QR-INOX BUTTON FLEXIBLE HOSE	1
7	079937	QR-INOX PUSH BUTTON	1
8	079929	FLEXIBLE OUTLET WC BEND	1
9	888012	GLASS FIXATIONS SUPPORT	1

EASY MOVE WC



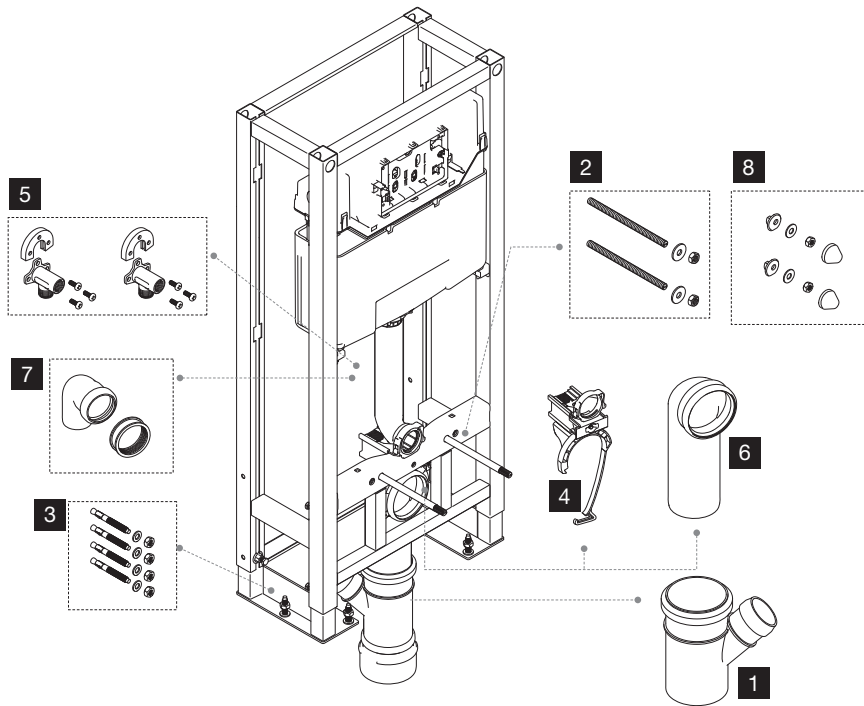
NR.	CODE	DESCRIPTION	QT. CODE
1	879146	WOOD SUPPORT FIXATION	1
2	888077	HYDRAULIC ENGINE >2023	1
3	054649	EXTENSIBLE OUTLET BEND	1
4	054409	ACCESSORIES FOR WC PAN FIXATION	1
5	054641	WIRELESS REMOTE CONTROL <2023	1
6	888076	WIRELESS REMOTE CONTROL TRANSFORMER >2023	1
7	620071	ACOUSTIC INSULATION	1
8	888074	WIRELESS REMOTE CONTROL > 2023	1
9	888075	MAGNETIC KEY > 2023	1

EASY MOVE WASHBASIN

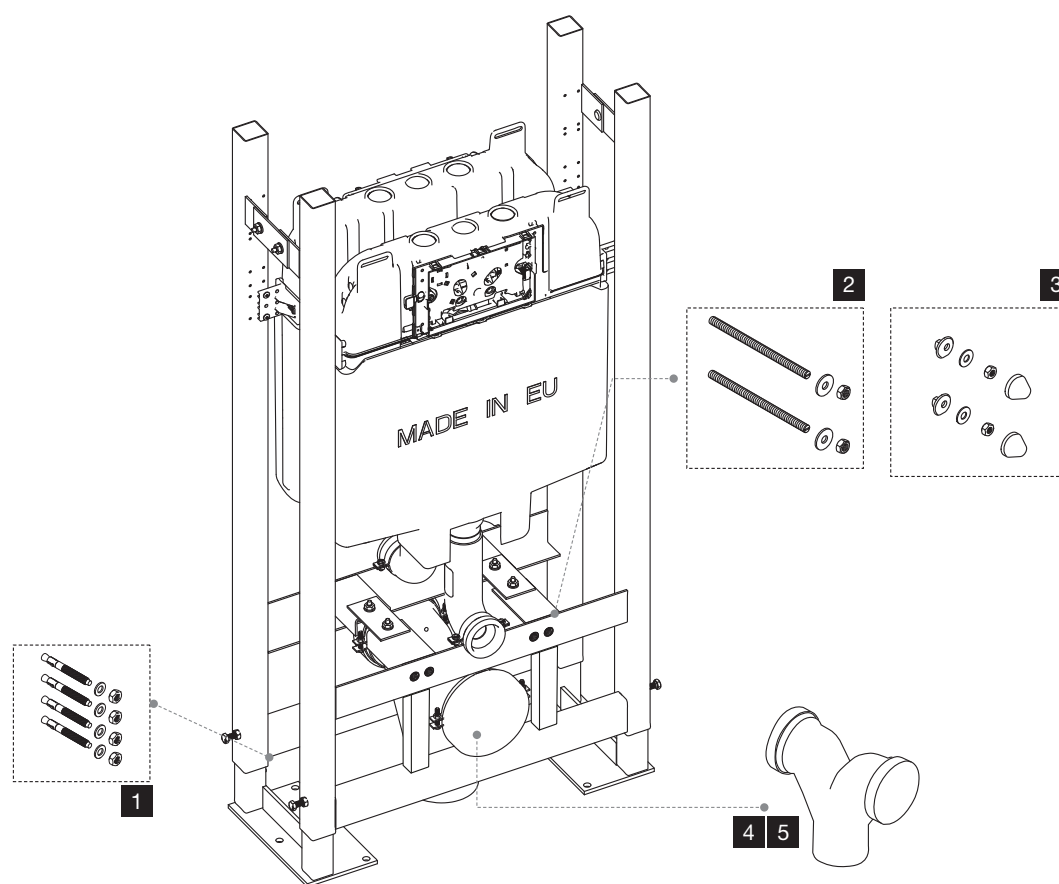


NR.	CODE	DESCRIPTION	QT. CODE
1	883048	MIRROR	1
2	883047	WOOD SUPPORT FIXATION	1
3	883044	WASHBASIN SIPHON	1
4	620072	ACOUSTIC INSULATION	1
5.1	883045	WHITE GLASS	1
5.2	883046	BLACK GLASS	1
6	037148	FIXATION SCREWS	4
7	622301	WASHBASIN FIXATION	1
8	888078	HYDRAULIC ENGINE > 2023	1
9	054641	WIRELESS REMOTE CONTROL < 2023	1
10	888076	WIRELESS REMOTE CONTROL TRANSFORMER > 2023	1
11	036886	FRAME ACCESSORIES KIT M12	1
12	883037	FLEXIBLE SIPHON	1
13	888074	WIRELESS REMOTE CONTROLE > 2023	1
14	888075	MAGNETIC KEY > 2023	1

DOUBLE WC/URINAL/WASHBASIN



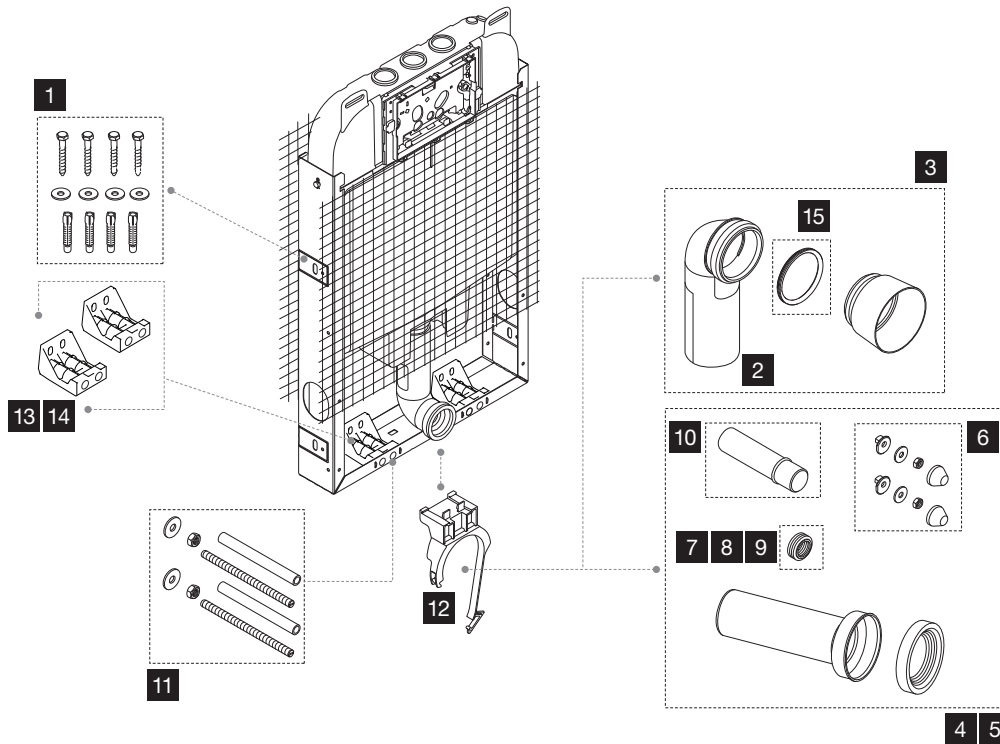
NR.	CODE	DESCRIPTION	QT. CODE
1	883029	DOUBLE OUTLET WC/URINAL/WASHBASIN	1
2	036886	FRAME ACCESORIES KIT M12	1
3	012196	FIXATION KIT FOR FREE STANDING FRAME	4
4	048974	SANITARBLOCK OUTLET BEND SUPPORT	1
5	011170	SIMFLEX KIT WATER CONNECTIONS	2
6	036888	OUTLET BEND 90X90	1
7	054576	OUTLET BEND 50	1
8	622301	WHITE FIXATION KIT	1



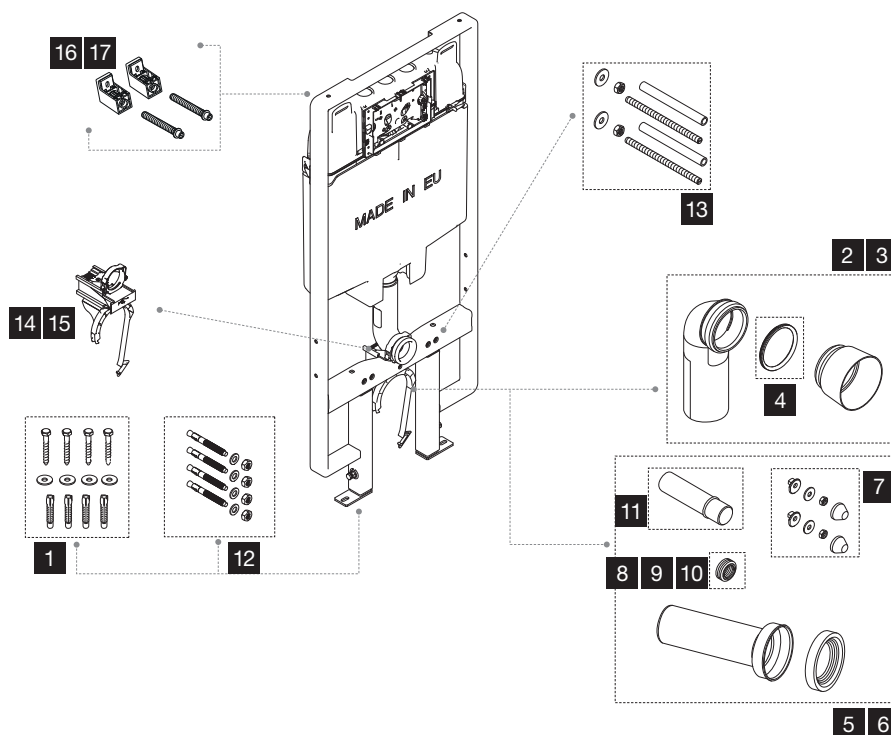
NR.	CODE	DESCRIPTION	QT. CODE
1	012196	FIXATION KIT FOR FREE STANDING FRAME	4
2	036886	FRAME ACESORIES KIT M12	1
3	622301	WHITE FIXATION KIT	1
4	880700	DOUBLE HPDE WC OUTLET BEND D90/110	1
5	111238	DOUBLE HPDE WC OUTLET BEND D110/110	1



## SIMFLEX



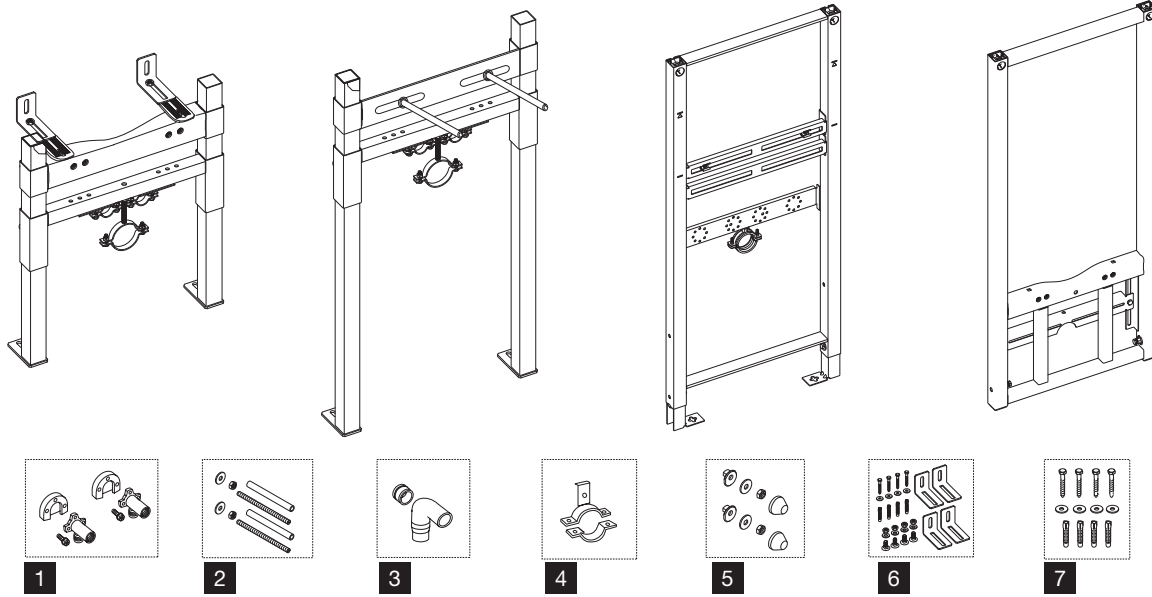
NR.	CODE	DESCRIPTION	QT. CODE
1	037148	FIXATION SCREWS	4
2	036888	OUTLET BEND Ø90X90	1
3	053995	OUTLET BEND Ø90X110	1
4	622501	CONNECTION PIPES Ø45 Ø90	1
5	622503	CONNECTION PIPES Ø45 Ø110	1
6	622301	PROTECTIVE CAPS WHITE	1
7	050993	RUBBER SEAL Ø32	5
8	050992	RUBBER SEAL Ø40	5
9	037133	RUBBER SEAL Ø45	5
10	037132	FLUSH PIPE ADAPTOR Ø45X180	1
11	036886	FRAME ACCESSORIES KIT M12	1
12	037145	FLUSH PIPE SUPPORT	1
13	034899	FIXATION KIT FOR SIMFLEX FRAME 120MM	1
14	034898	FIXATION KIT FOR SIMFLEX FRAME 80MM	1
15	036889	RUBBER SEAL Ø90 OUTLET BEND	



NR.	CODE	DESCRIPTION	QT. CODE
1	037148	FIXATION SCREWS	4
2	036888	OUTLET BEND Ø90X90	1
3	053995	OUTLET BEND Ø90X110	1
4	036889	RUBBER SEAL Ø90 OUTLET BEND	5
5	622501	CONNECTION PIPES Ø45 Ø90	1
6	622503	CONNECTION PIPES Ø45 Ø110	1
7	622301	PROTECTIVE CAPS WHITE	
8	050993	RUBBER SEAL Ø32	5
9	050992	RUBBER SEAL Ø40	5
10	037133	RUBBER SEAL Ø45	5
11	037132	FLUSH PIPE ADAPTOR Ø45X180	1
12	012196	FIXATION KIT FOR FREE-STANDING FRAME	4
13	036886	FRAME ACCESSORIES KIT M12	2
14	195524	SANITARBLOCK S90 OUTLET BEND SUPPORT	1
15	048974	SANITARBLOCK OUTLET BEND SUPPORT	1
16	054389	FAST FIXATION KIT 144MM	2
17	004252	FAST FIXATION KIT 181MM	2

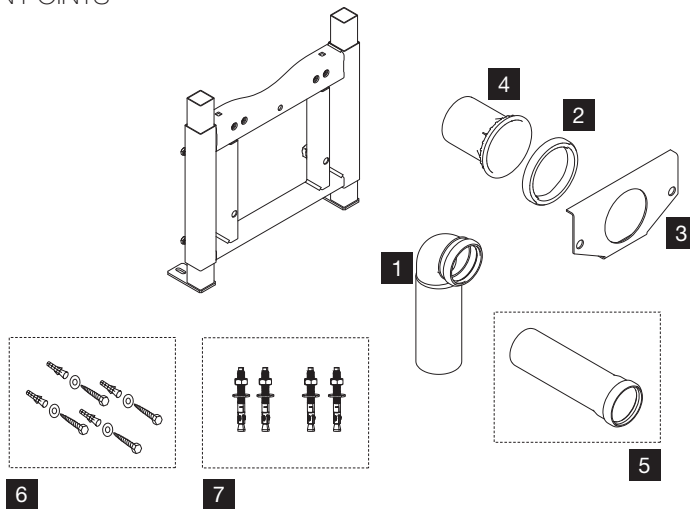
BIDET/WASHBASIN

Inspired by water...



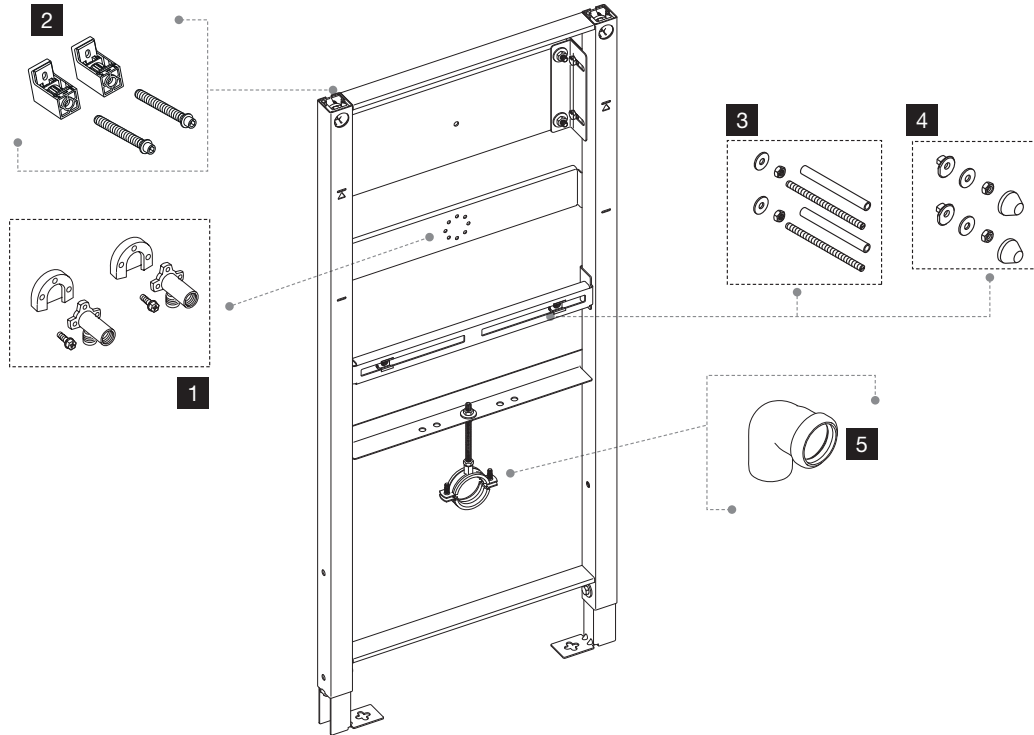
NR.	CODE	DESCRIPTION	QT. CODE
1	011170	SIMFLEX KIT WATER CONNECTIONS	2
2	036886	FRAME ACCESSORIES KIT M12	2
3	054576	OUTLET BEND Ø50	1
4	037144	METAL SUPPORT FOR BIDET SIMFLEX	1
5	622301	WHITE FIXATION KIT	1
6	054577	KIT BIDET/WASHBASIN 120MM	2
7	037148	FIXATION SCREWS	4

4 WC FIXATION POINTS



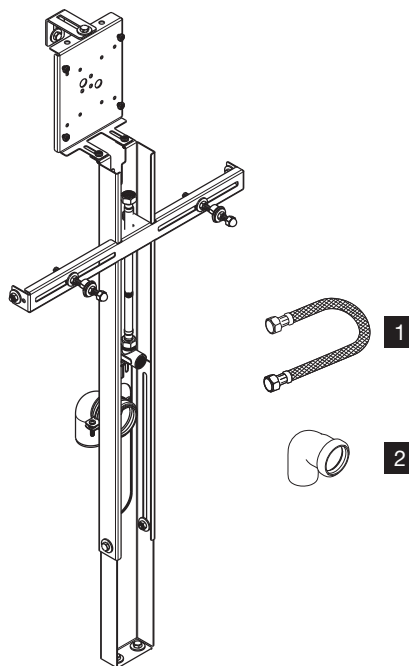
NR.	CODE	DESCRIPTION	QT. CODE
1	036888	OUTLET BEND Ø90X90	1
2	878876	RUBBER SEAL Ø126X15	1
3	878879	STEEL SHEET WC 4 FIX	1
4	878868	WC CONNECTION PIPE Ø90X120	1
5	879174	CONNECTING PIPE 250X90X90	1
6	037148	FIXATION SCREWS	4
7	012196	FIXATION KIT FOR FREE-STANDING FRAME	4

URINAL



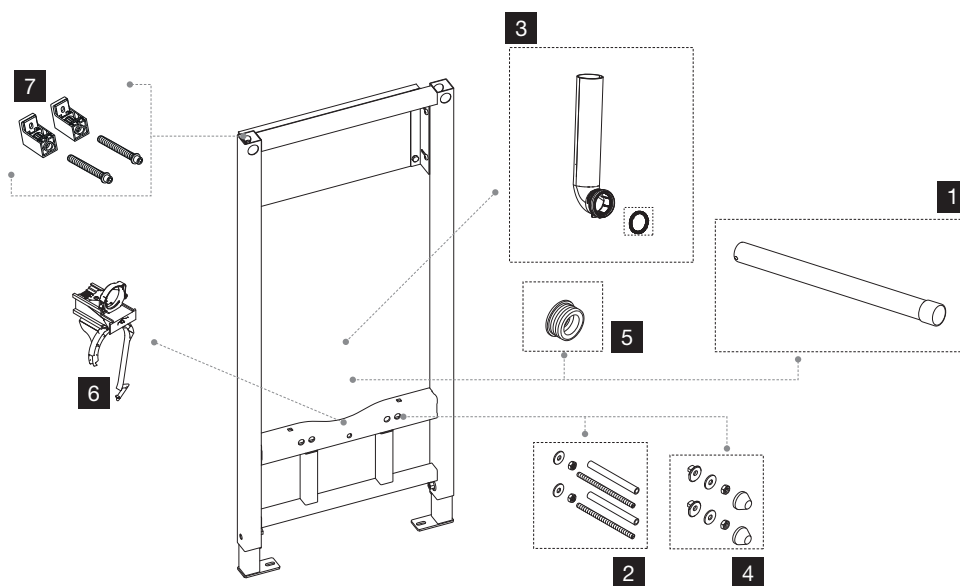
NR.	CODE	DESCRIPTION	QT. CODE
1	011170	SIMFLEX KIT WATER CONNECTIONS	2
2	054389	FAST FIXATION KIT 144MM	2
3	036886	FRAME ACCESSORIES KIT M12	2
4	622301	WHITE FIXATION KIT	1
5	885736	URINAL OUTLET BEND 50X50	1

ECO URINAL



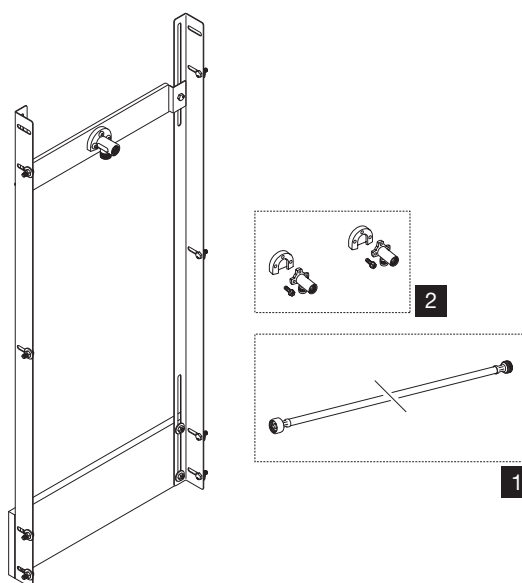
NR.	CODE	DESCRIPTION	QT. CODE
1	885736	URINAL OUTLET BEND 50X50	1
2	878900	FLEXIBLE HOSE 1/2X1/2 F/F 300	1

WC FRAME FOR FLUSH VALVE



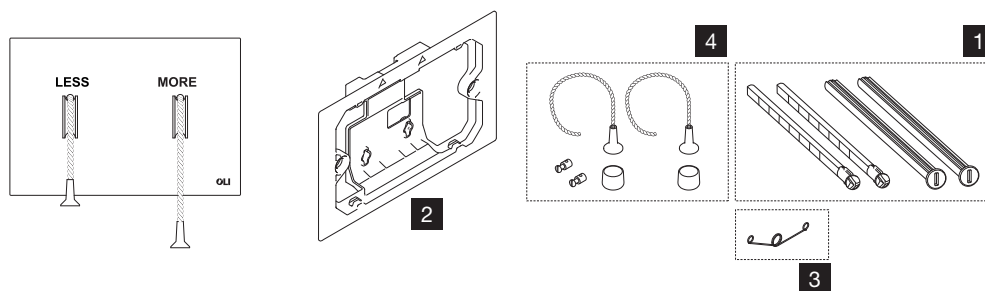
NR.	CODE	DESCRIPTION	QT. CODE
1	880627	FLUSH PIPE Ø28 400	1
2	036886	FRAME ACCESSORIES KIT M12	2
3	101761	FLUSH PIPE 56X260	1
4	622301	WHITE FIXATION KIT	1
5	880626	RUBBER SEAL Ø50	1
6	048974	SANITARBLOCK OUTLET BEND SUPPORT	1
7	054389	FAST FIXATION KIT 144MM	2

SHOWER FRAME



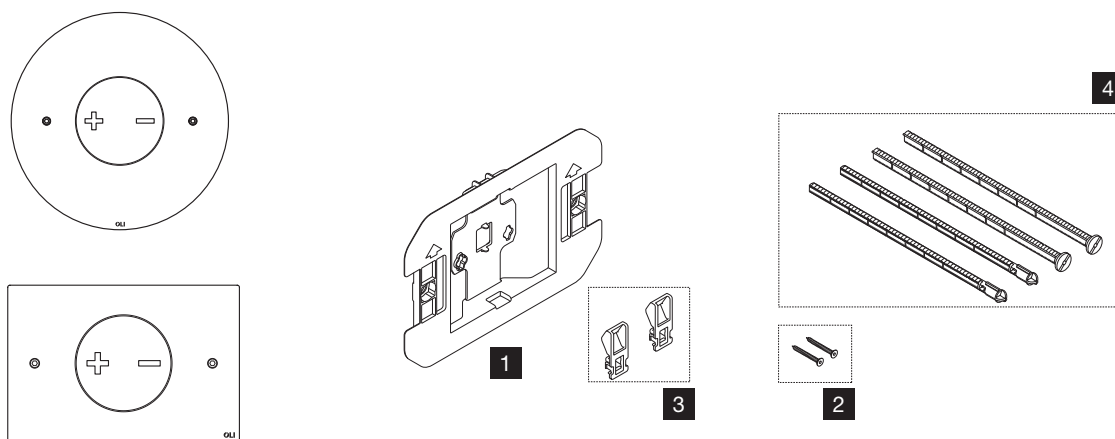
NR.	CODE	DESCRIPTION	QT. CODE
1	880632	FLEXIBLE HOSE 1/2MX1/2F 1000	1
2	011170	SIMFLEX KIT WATER CONNECTIONS	2

LESS is MORE



NR.	CODE	DESCRIPTION	QT. CODE
1	131989	FLUSH PLATE ACTUATION AND FIXATION SCREWS	1
2	884273	COUNTER PLATE	1
3	884275	SPRINGS	2
4.1	884582	ACTUATION HANDLE BLACK	2
4.2	884578	ACTUATION HANDLE BRUSHED	2
4.3	884574	ACTUATION HANDLE POLISHED CHROME	2
4.4	884583	ACTUATION HANDLE WHITE	2

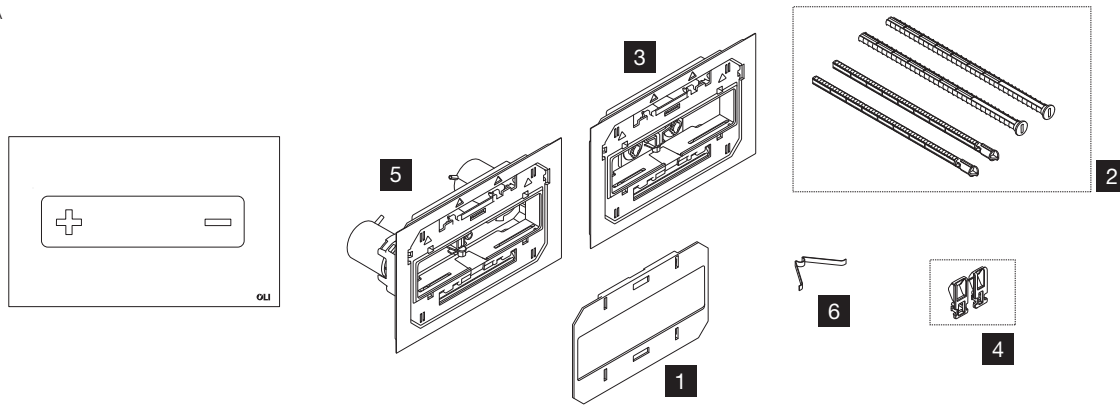
INO-X



NR.	CODE	DESCRIPTION	QT. CODE
1	010088	COUNTER PLATE	1
2	058424	STAINLESS STEEL SCREW M4 X 25	2
3	049963	OUTLET VALVE EXTENSION KIT	10
4	049962	SCREWS FOR FIXATION AND ACTUATION	4

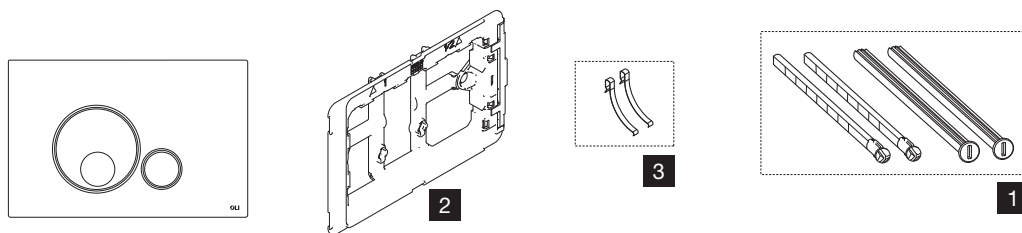


OCEANIA



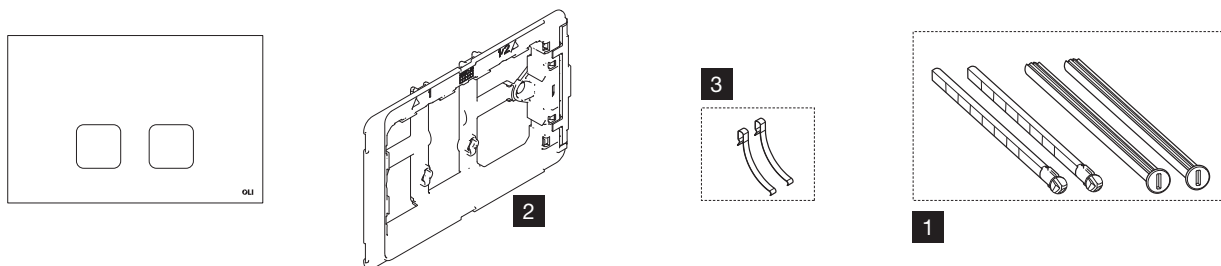
NR.	CODE	DESCRIPTION	QT. CODE
1	053871	BASE	1
2	131989	FLUSH PLATE ACTUATION AND FIXATION SCREWS	4
3	053868	MECHANIC COUNTER PLATE	1
4	049963	OUTLET VALVE EXTENSION KIT	10
5	053869	PNEUMATIC COUNTER PLATE	1
6	053865	SPRINGS	10

GLOBE



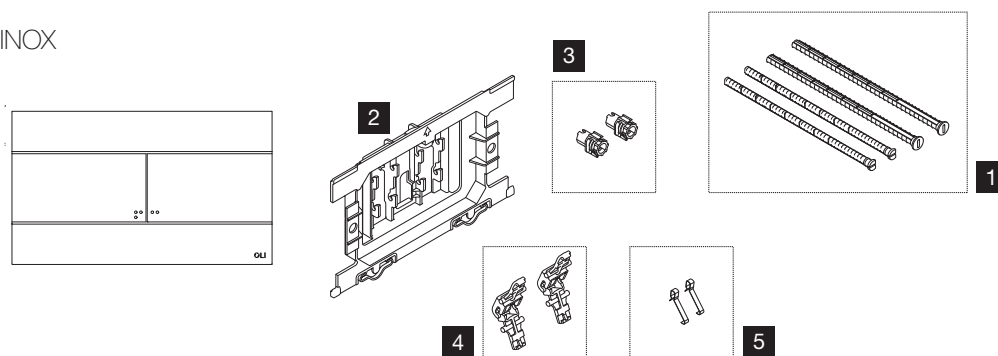
NR.	CODE	DESCRIPTION	QT. CODE
1	131989	FLUSH PLATE ACTUATION AND FIXATION SCREWS	4
2	069205	COUNTER PLATE	1
3	011986	SPRINGS	10

PLAIN



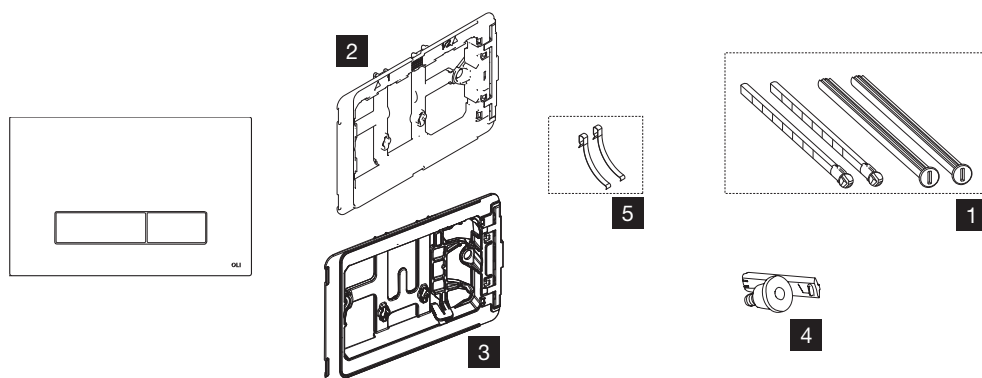
NR.	CODE	DESCRIPTION	QT. CODE
1	131989	FLUSH PLATE ACTUATION AND FIXATION SCREWS	4
2	069205	COUNTER PLATE	1
3	011986	SPRINGS	10

### SLIM/SLIM INOX



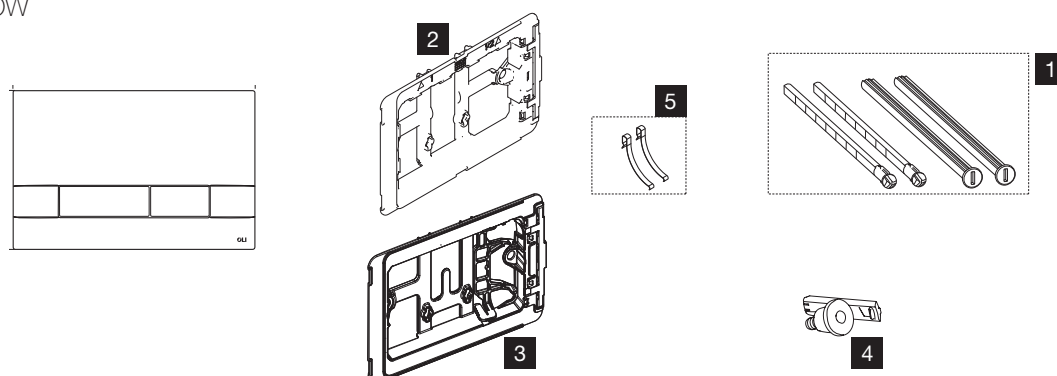
NR.	CODE	DESCRIPTION	QT. CODE
1	037150	FLUSH PLATE ACTUATION AND FIXATION SCREWS	4
2	041673	COUNTER PLATE >09	1
3	037152	FIXATION KIT <09	2
4	011637	LEVER SET	2
5	011986	SPRINGS	10

### GLAM



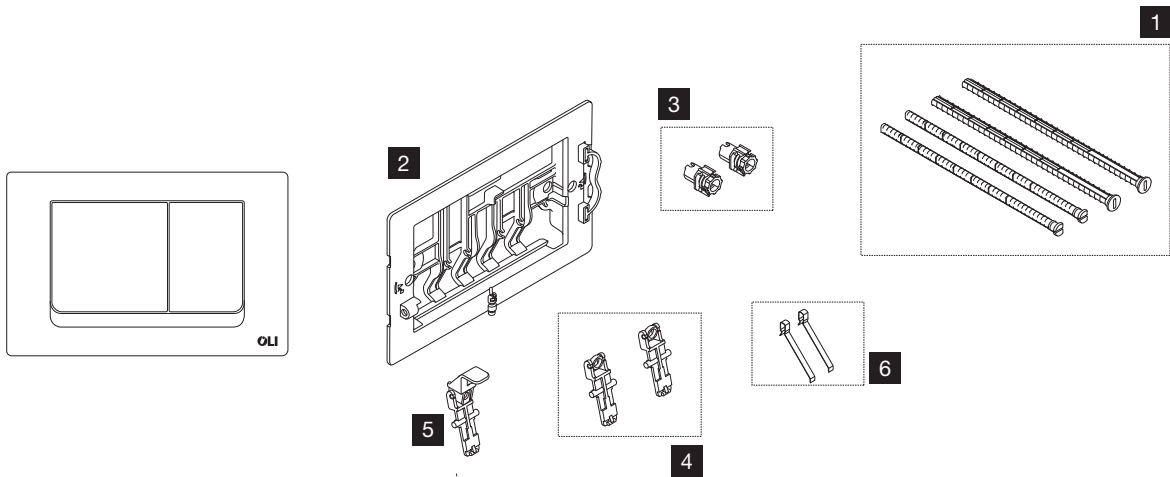
NR.	CODE	DESCRIPTION	QT. CODE
1	131989	FLUSH PLATE ACTUATION AND FIXATION SCREWS	4
2	069205	COUNTER PLATE	1
3	181715	COUNTER PLATE OLIPURE	1
4	181716	OLIPURE NOZZLE	1
5	011986	SPRINGS	10

### NARROW



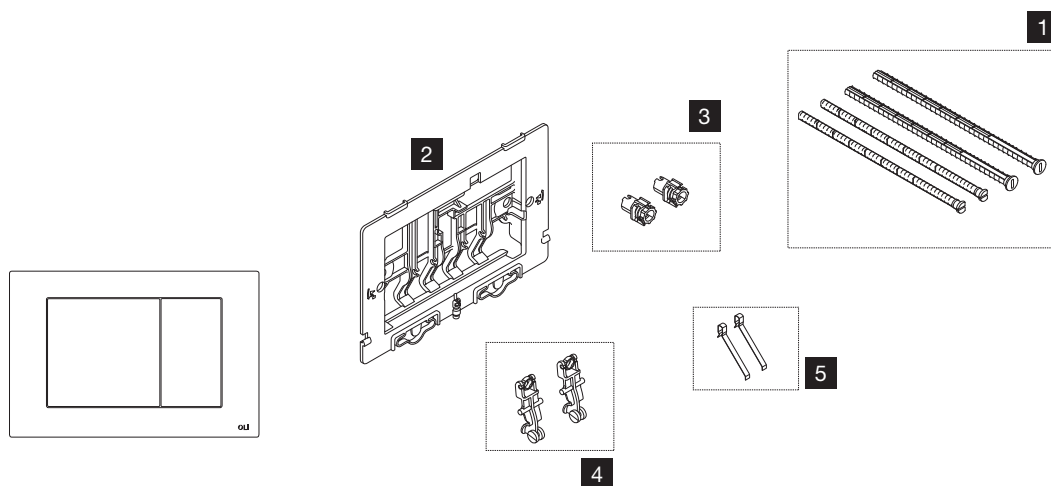
NR.	CODE	DESCRIPTION	QT. CODE
1	131989	FLUSH PLATE ACTUATION AND FIXATION SCREWS	4
2	069205	COUNTER PLATE	1
3	181715	COUNTER PLATE OLIPURE	1
4	181716	OLIPURE NOZZLE	1
5	011986	SPRINGS	10

RIA/RIA STOP



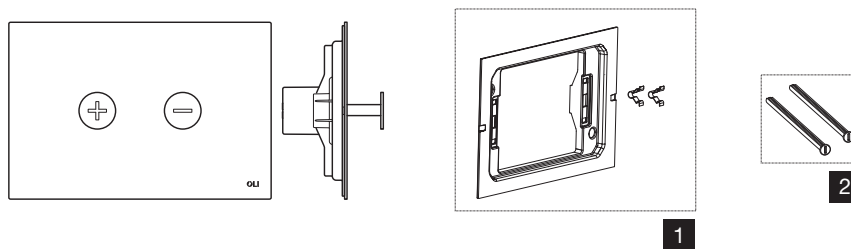
NR.	CODE	DESCRIPTION	QT. CODE
1	037150	FLUSH PLATE ACTUATION AND FIXATION SCREWS	4
2	041676	COUNTER PLATE >09	1
3	037152	FIXATION KIT <09	2
4	056676	LEVER SET	2
5	041687	LEVER SET STOP	1
6	041682	SPRINGS	10

METAL



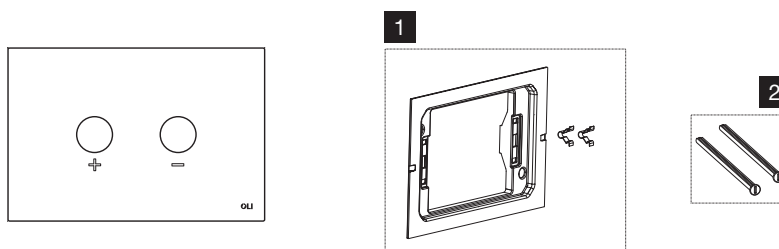
NR.	CODE	DESCRIPTION	QT. CODE
1	037150	FLUSH PLATE ACTUATION AND FIXATION SCREWS	4
2	041689	COUNTER PLATE >09	1
3	037152	FIXATION KIT <09	2
4	037303	LEVER SET	2
5	041682	SPRINGS	10

TRUMPET



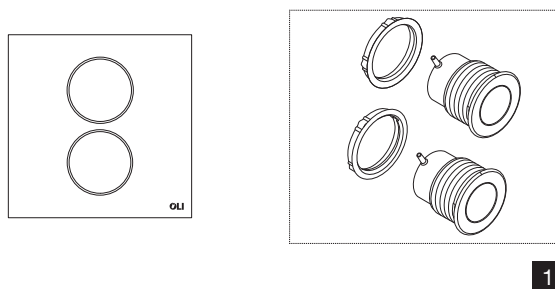
NR.	CODE	DESCRIPTION	QT. CODE
1	090446	COUNTER PLATE	1
2	053897	PLATE FIXATION SCREWS	2

BLINK



NR.	CODE	DESCRIPTION	QT. CODE
1	090446	COUNTER PLATE	1
2	053897	PLATE FIXATION SCREWS	2

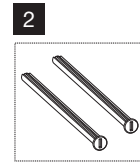
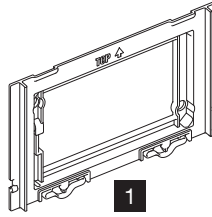
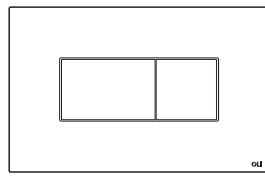
SM15



NR.	CODE	DESCRIPTION	QT. CODE
1	056982	PNEUMATIC PUSH BUTTON	2

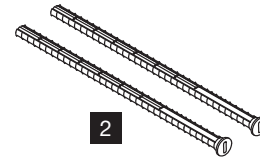
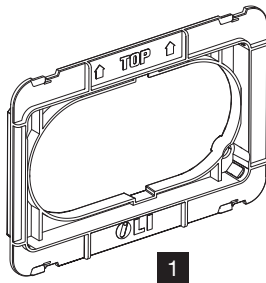
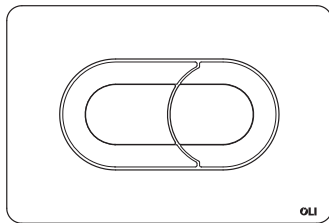
KARISMA

Inspired by water...



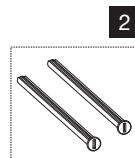
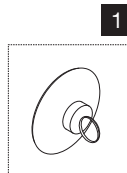
NR.	CODE	DESCRIPTION	QT. CODE
1	880699	COUNTER PLATE	1
2	053897	PLATE FIXATION SCREWS	2

SALINA

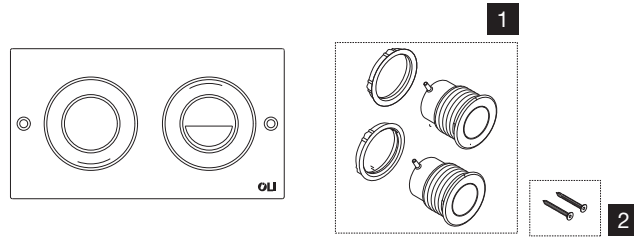


NR.	CODE	DESCRIPTION	QT. CODE
1	879603	COUNTER PLATE	1
2	053897	PLATE FIXATION SCREWS	2

SEAMLESS

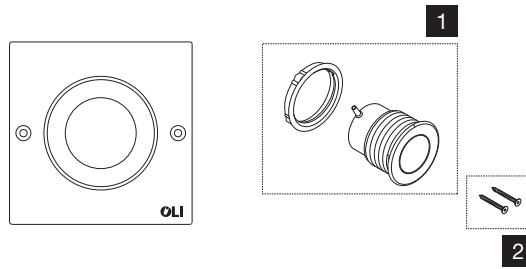


NR.	CODE	DESCRIPTION	QT. CODE
1	053897	PLATE FIXATION SCREWS	2
2	880631	SUCTION CUP	1



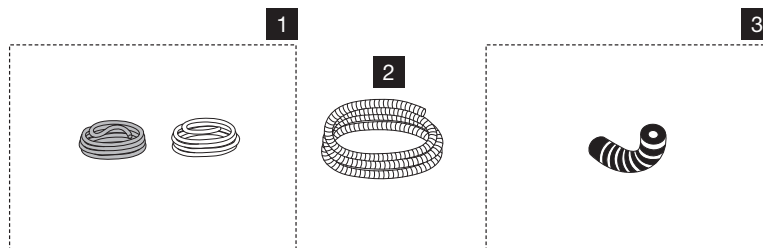
NR.	CODE	DESCRIPTION	QT. CODE
1	056982	PNEUMATIC PUSH BUTTON	2
2	058424	STAINLESS STEEL SCREW M4 X 25	2

MONO TREND



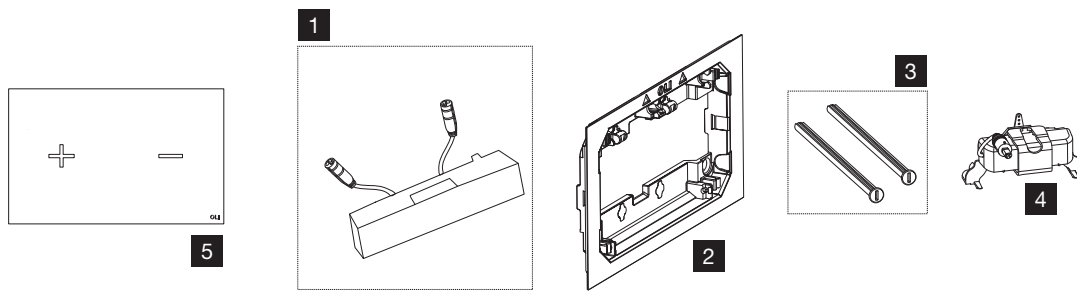
NR.	CODE	DESCRIPTION	QT. CODE
1	056982	PNEUMATIC PUSH BUTTON	2
2	058424	STAINLESS STEEL SCREW M4 X 25	2

PNEUMATIC



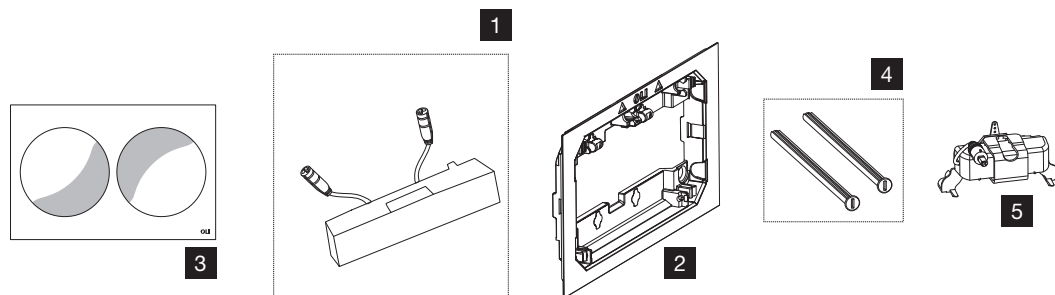
NR.	CODE	DESCRIPTION	QT. CODE
1	043234	3M PNEUMATIC PIPE (2X)	1
2	049544	1,8M PROTECTION PIPE	1
3	049594	PNEUMATIC PUSH BUTTON CONNECTION	10

GLASSY



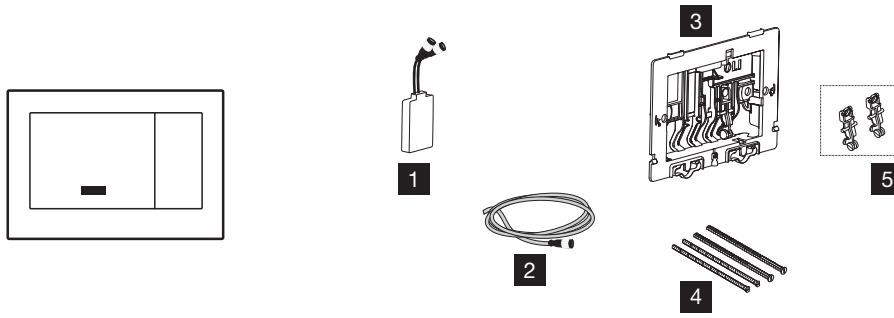
NR.	CODE	DESCRIPTION	QT. CODE
1	878680	CAP SENSOR	1
2	879208	COUNTER PLATE	1
3	053897	PLATE FIXATION SCREWS	2
4	878681	SERVOMOTOR BLOCK	1
5.1	878855	GLASSY FRONTAL PLATE ANTHRACITE	1
5.2	084298	GLASSY FRONTAL PLATE BLACK	1
5.3	878854	GLASSY FRONTAL PLATE TAUPE	1
5.4	084297	GLASSY FRONTAL PLATE WHITE	1

MOON



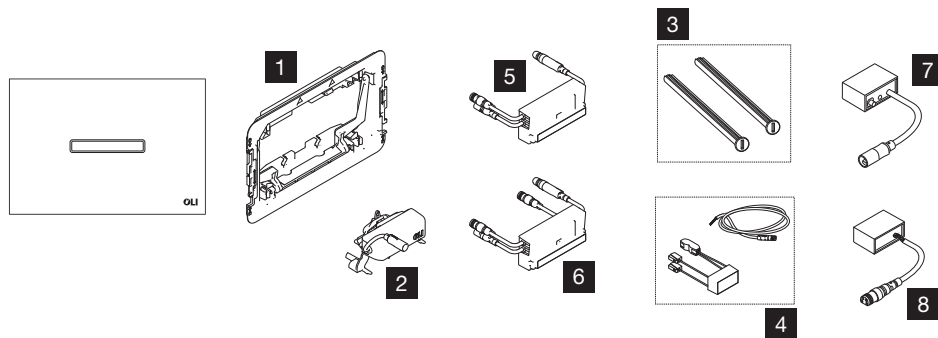
NR.	CODE	DESCRIPTION	QT. CODE
1	878680	CAP SENSOR	1
2	879208	COUNTER PLATE	1
3.1	879078	MOON BLACK FRONTAL PLATE	1
3.2	074736	MOON WHITE FRONTAL PLATE	1
4	053897	PLATE FIXATION SCREWS	2
5	878681	SERVOMOTOR BLOCK	1





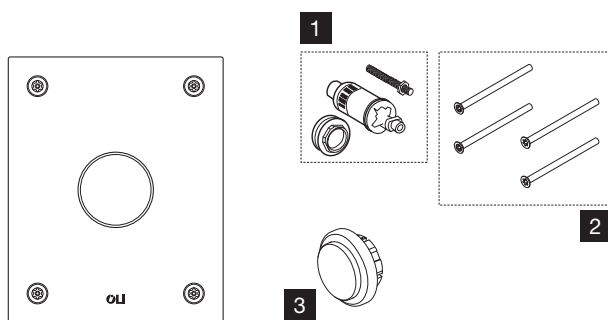
NR.	CODE	DESCRIPTION	QT. CODE
1	888089	SENSOR	1
2	887325	POWER CABLE	1
3	041689	COUNTER PLATE	1
4	037150	FLUSH PLATE ACTUATION AND FIXATION SCREWS	4
5	037303	LEVER SET	2

eLINE



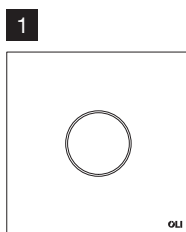
NR.	CODE	DESCRIPTION	QT. CODE
1	885027	COUNTER PLATE	1
2	885032	MOTOR SENSOR	1
3	053897	PLATE FIXATION SCREWS	2
4	885033	POWER SUPPLY	1
5	885030	RADIO SENSOR	1
6	885029	STANDARD SENSOR	1
7	883582	BLUETOOTH RECEPTOR	1
8	883578	RADIO RECEPTOR	1

BLINK URINAL



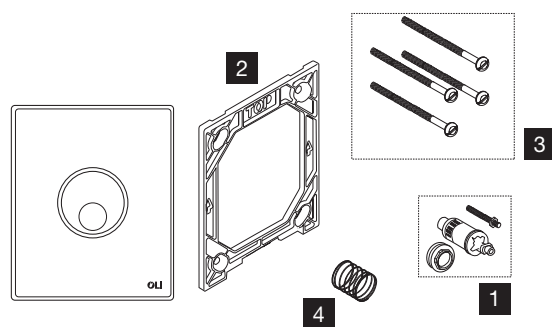
NR.	CODE	DESCRIPTION	QT. CODE
1	878916	FLUXOMETER CARTRIDGE + ACTUATION SCREW + NUT	1
2	883022	BLINK URINAL SCREWS	1
3	883024	BLINK URINAL BUTTON	1

SM15 URINAL



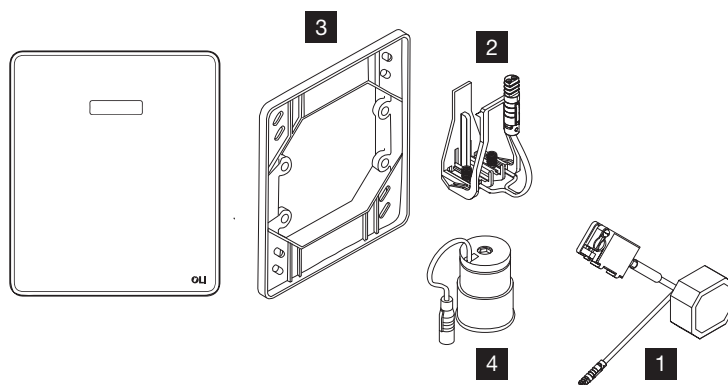
NR.	CODE	DESCRIPTION	QT. CODE
1	054723	SM15 URINAL FRONT PLATE	1

GLOBE URINAL



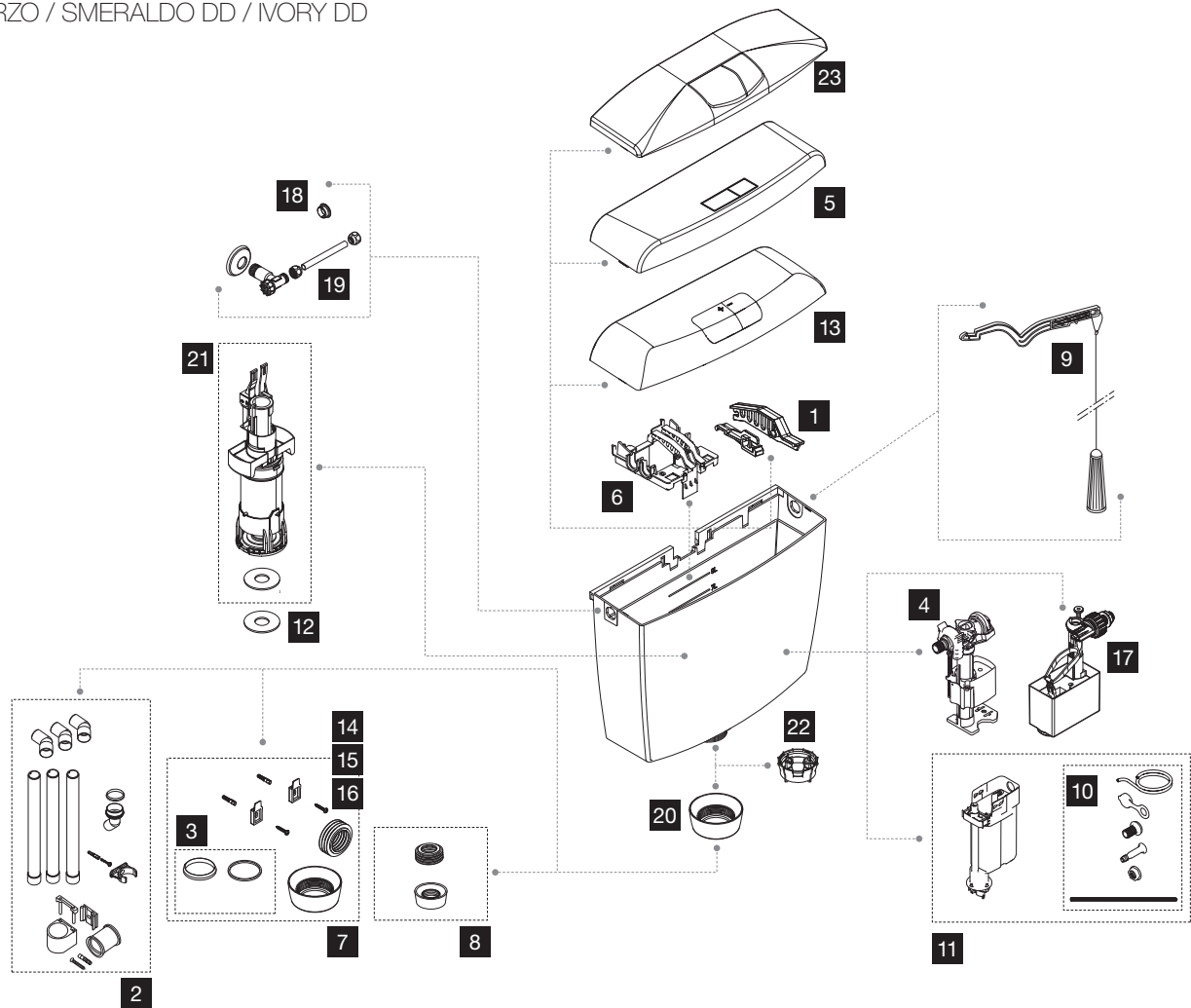
NR.	CODE	DESCRIPTION	QT. CODE
1	878916	FLUXOMETER CARTRIDGE + ACTUATION SCREW + NUT	1
2	878917	COUNTER PLATE	1
3	878918	FIXATION SCREWS	4
4	878919	SPRING	1

EAQUA URINAL

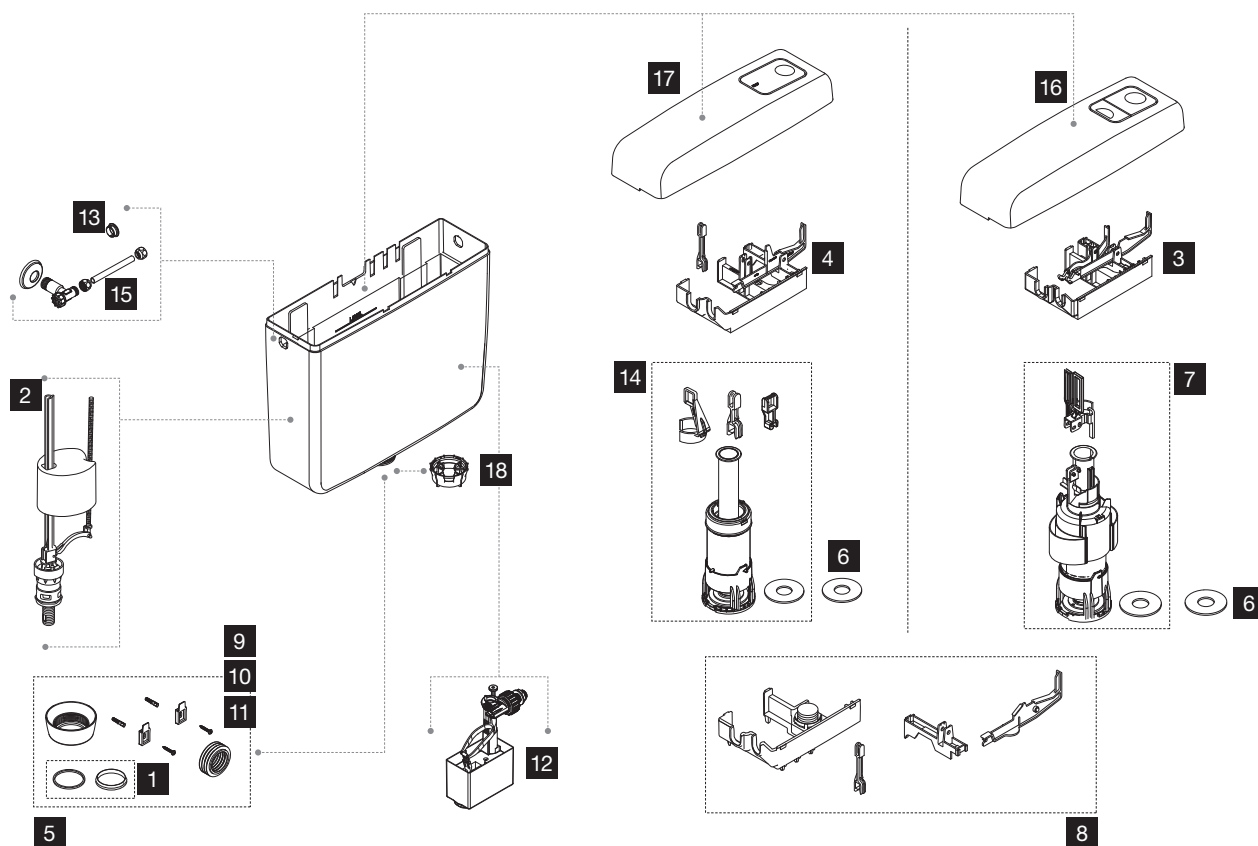


NR.	CODE	DESCRIPTION	QT. CODE
1	879134	CONCEALED MAINS POWER SUPPLY 230VAC/6VDC	1
2	879133	BATTERY HOLDER	1
3	879131	COUNTER PLATE	1
4	879128	ELECTROVALVE 6V/3W	1

## QUARZO / SMERALDO DD / IVORY DD

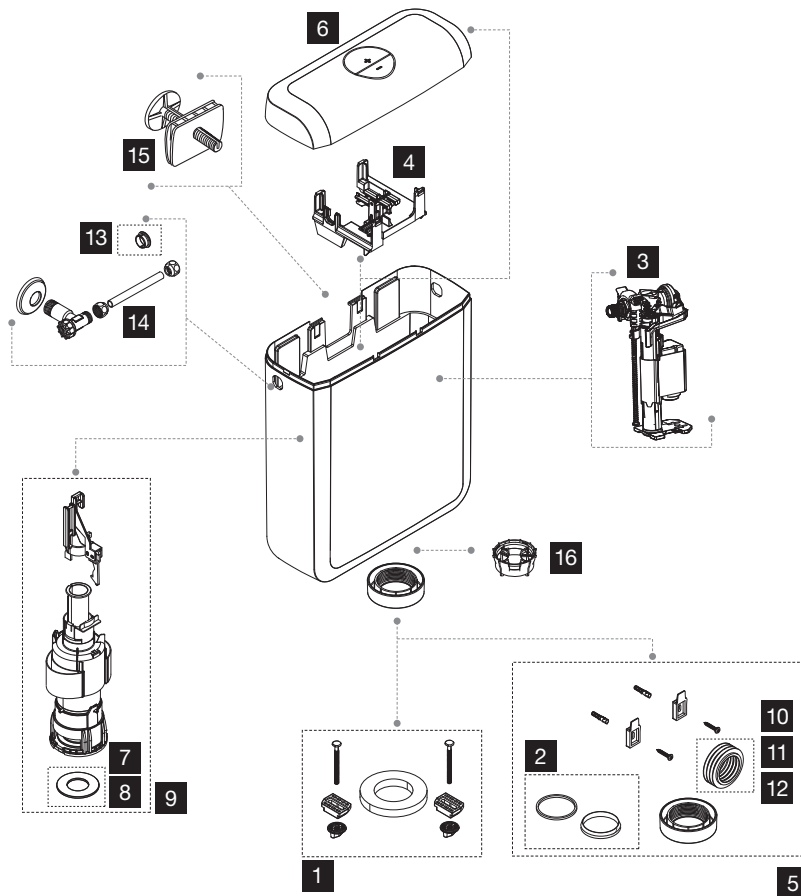


NR.	CODE	DESCRIPTION	QT. CODE
1	092064	ANCHORS SINGLE FLUSH	1
2	490882	COMPLETE FLUSH PIPE Ø32	1
3	053386	CONICAL SEAL FOR FLUSH PIPE	1
4	882653	INLET VALVE 3/8 OLIPURE SIDE	1
5	499323	IVORY DD WHITE LID	1
6	011995	LEVER BLOCK	1
7	883327	NUT FLUSH WHITE AND ACCESSORIES	1
8	022389	NUT FLUSH WHITE Ø32	1
9	011998	NYLON CHAIN	1
10	183048	OLIPURE ACCESSORIES	1
11	183049	OLIPURE KIT + ACCESSORIES	1
12	883028	OUTLET VALVE SEAL 60X23.8X2.7	5
13	154845	QUARZO WHITE LID	1
14	050993	RUBBER SEAL Ø32	5
15	050992	RUBBER SEAL Ø40	5
16	037133	RUBBER SEAL Ø45	5
17	560160	SIDE INLET VALVE 3/8	1
18	883225	SIDE WHITE COVER	4
19	030859	STOP VALVE 1/2X3/8	1
20	030858	NUT FLUSH WHITE	1
21	525023	OUTLET VALVE	1
22	883088	ADJUSTABLE FLOW REDUCER FOR EXPOSED CISTERNS	1
23	005989	SMERALDO DD WHITE LID	1

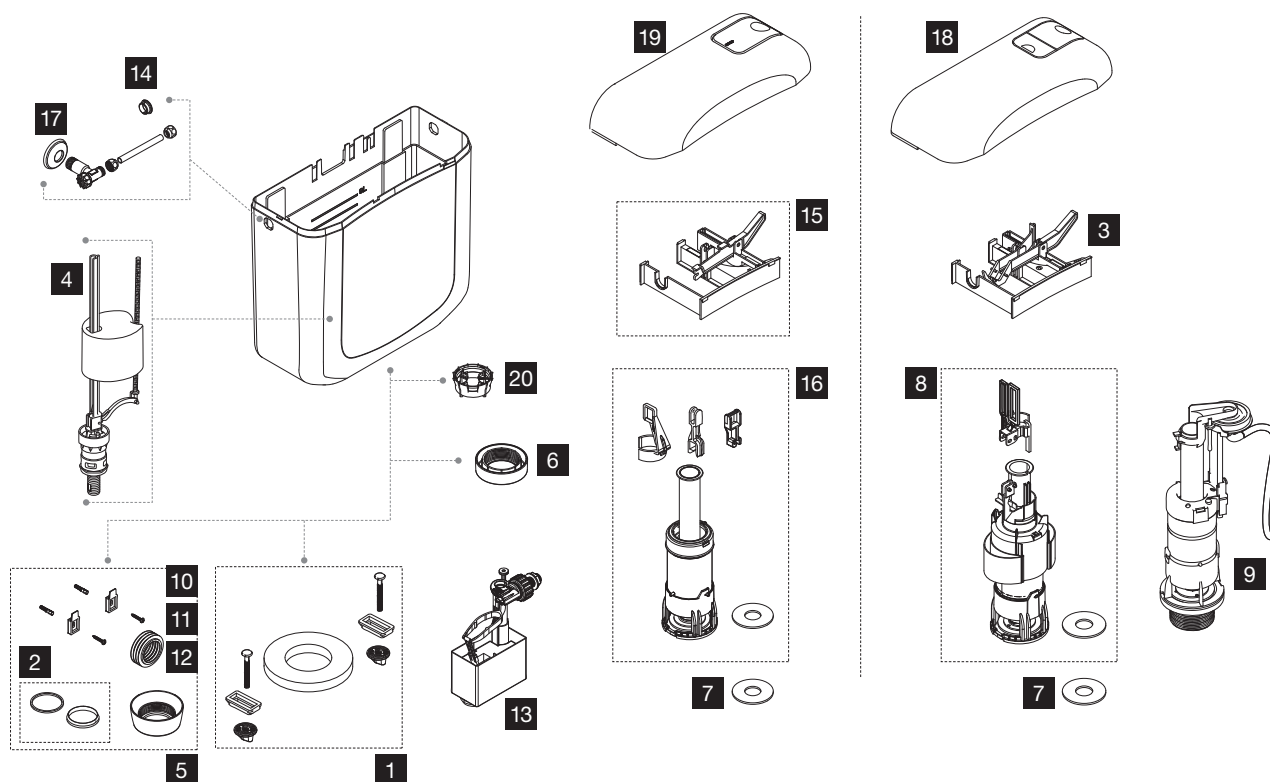


NR.	CODE	DESCRIPTION	QT. CODE
1	053386	CONICAL SEAL FOR FLUSH PIPE	1
2	563584	INLET VALVE 3/8 BOTTOM	1
3	011988	LEVER BLOCK DUAL FLUSH	1
4	011990	LEVER BLOCK INTERRUPTIBLE FLUSH	1
5	883327	NUT FLUSH WHITE AND ACCESSORIES	1
6	883028	OUTLET VALVE SEAL 60X23.8X2.7	5
7	525106	OUTLET VALVE TOPAZIO DD	1
8	087617	PNEUMATIC BLOCK	1
9	050993	RUBBER SEAL Ø32	5
10	050992	RUBBER SEAL Ø40	5
11	037133	RUBBER SEAL Ø45	5
12	560160	SIDE INLET VALVE 3/8	1
13	883225	SIDE WHITE COVER	4
14	011989	START/STOP TOPAZIO OUTLET VALVE	1
15	030859	STOP VALVE 1/2X3/8	1
16	008590	TOPAZIO DD WHITE LID	1
17	000464	TOPAZIO WHITE START/STOP LID	1
18	883088	ADJUSTABLE FLOW REDUCER FOR EXPOSED CISTERNS	1

ONIX PLUS 2 IN 1



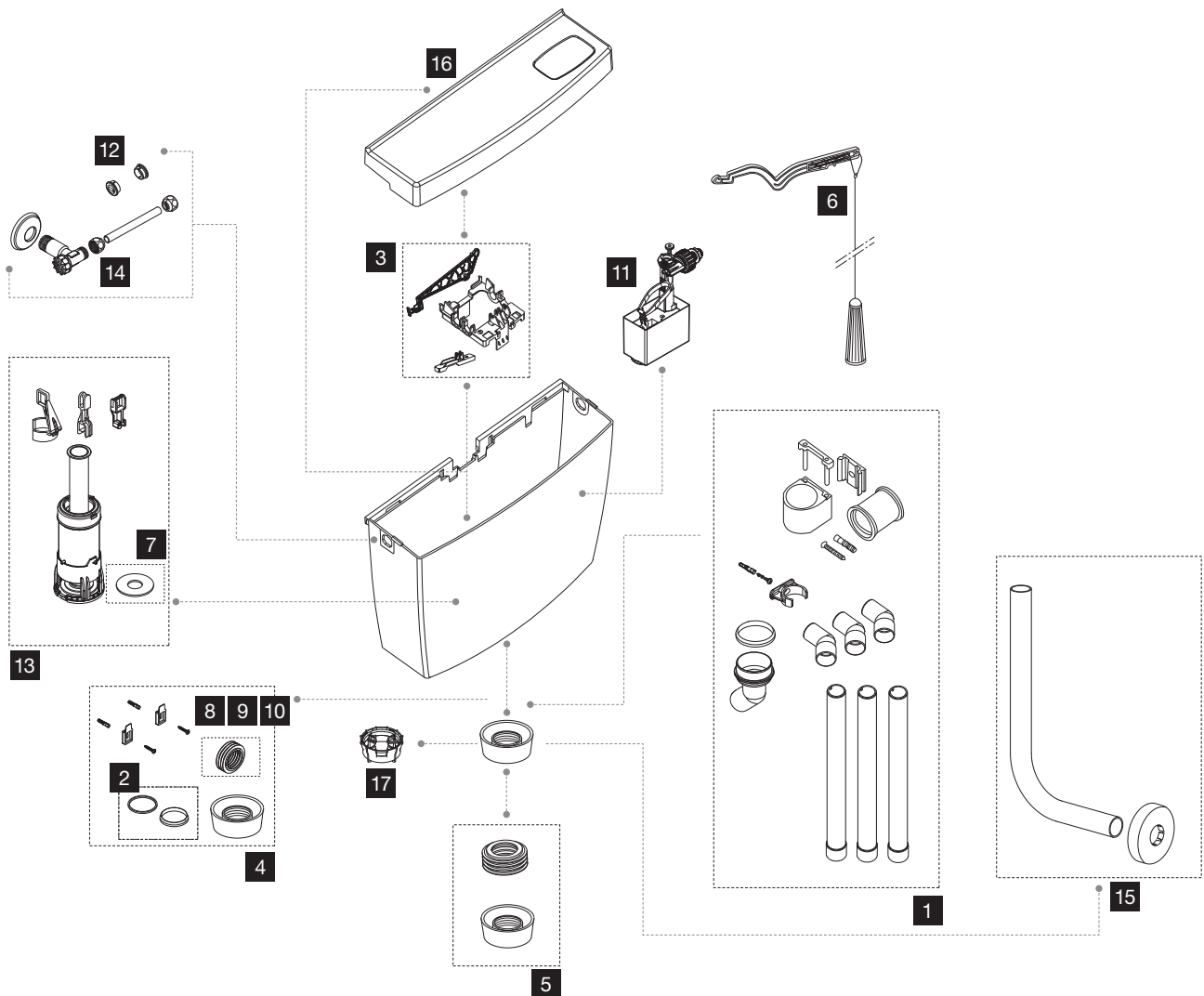
NR.	CODE	DESCRIPTION	QT. CODE
1	037163	ACCESSORIES KIT FOR CLOUSE-COUPLED	1
2	053386	CONICAL SEAL FOR FLUSH PIPE	1
3	037182	INLET VALVE 3/8 ONIX PLUS	1
4	011987	LEVER BLOCK	1
5	883339	NUT FLUSH WHITE AND ACCESSORIES	1
6	011697	ONIX LID	1
7	883174	ONIX SEAL OUTLET VALVE 63X32X2.7 <11	5
8	011698	OUTLET VALVE	1
9	883028	OUTLET VALVE SEAL 60X23.8X2.7	5
10	050993	RUBBER SEAL Ø32	5
11	050992	RUBBER SEAL Ø40	5
12	037133	RUBBER SEAL Ø45	5
13	883225	SIDE WHITE COVER	4
14	030859	STOP VALVE 1/2X3/8	1
15	884528	JAMB CLOSE COUPLE INSTALLATION	1
16	883088	ADJUSTABLE FLOW REDUCER FOR EXPOSED CISTERNS	1



NR.	CODE	DESCRIPTION	QT. CODE
1	049521	ACCESSORIES KIT FOR CLOSE-COUPLED	1
2	053386	CONICAL SEAL FOR FLUSH PIPE	1
3	011992	DUAL FLUSH LEVER BLOCK	1
4	563584	INLET VALVE 3/8 BOTTOM	1
5	883327	NUT FLUSH WHITE AND ACCESSORIES < 18	1
6	883339	NUT FLUSH WHITE AND ACCESSORIES > 18	1
7	883028	OUTLET VALVE SEAL 60X23.8X2.7	5
8	525106	OUTLET VALVE TOPAZIO 2	1
9	049948	PNEUMATIC OUTLET VALVE	1
10	037133	RUBBER SEAL Ø45	5
11	050993	RUBBER SEAL Ø32	5
12	050992	RUBBER SEAL Ø40	5
13	560160	SIDE INLET VALVE 3/8	1
14	883225	SIDE WHITE COVER	4
15	049524	START/STOP LEVER BLOCK	1
16	011989	START/STOP TOPAZIO OUTLET VALVE	1
17	030859	STOP VALVE 1/2X3/8	1
18	008607	ZAFFIRO WHITE LID DUAL FLUSH	1
19	012936	ZAFFIRO WHITE START/STOP LID	1
20	883088	ADJUSTABLE FLOW REDUCER FOR EXPOSED CISTERNS	1

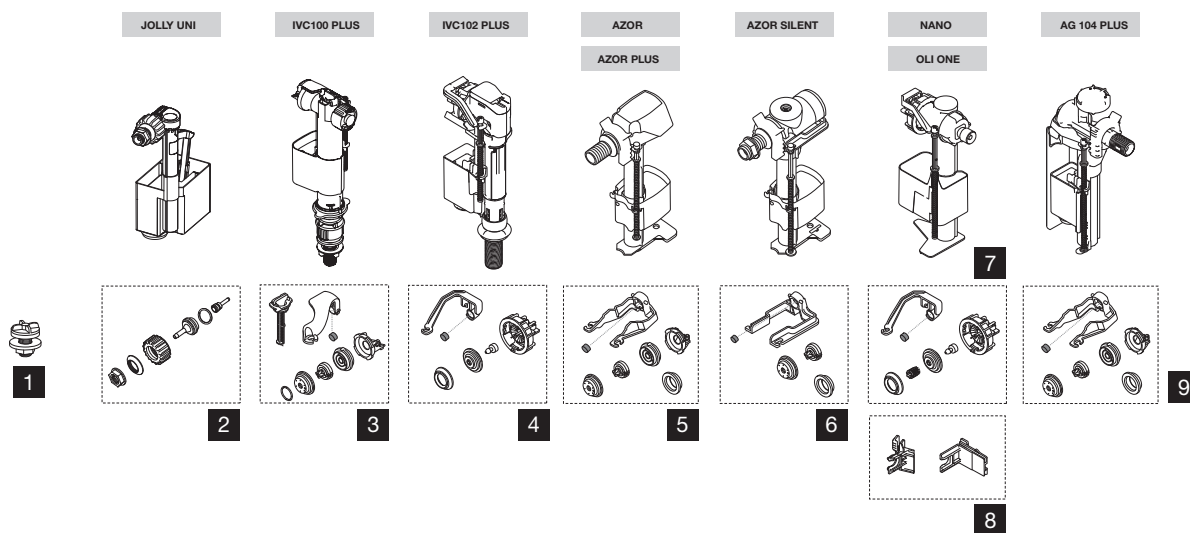


TURCHESE / OLISTYLE / RUBINO



NR.	CODE	DESCRIPTION	QT. CODE
1	490882	COMPLETE FLUSH PIPE Ø32	1
2	053386	CONICAL SEAL FOR FLUSH PIPE	1
3	011999	LEVER BLOCK	1
4	883327	NUT FLUSH WHITE AND ACCESSORIES	1
5	022389	NUT FLUSH WHITE Ø32	1
6	011998	NYLON CHAIN	1
7	883028	OUTLET VALVE SEAL 60X23.8X2.7	5
8	050993	RUBBER SEAL Ø32	5
9	050992	RUBBER SEAL Ø40	5
10	037133	RUBBER SEAL Ø45	5
11	560160	SIDE INLET VALVE 3/8	1
12	883225	SIDE WHITE COVER	4
13	011989	START/STOP TOPAZIO OUTLET VALVE	1
14	030859	STOP VALVE 1/2X3/8	1
15	490751	FLUSH BEND - WHITE	1
16	011996	WHITE LID	1
17	883088	ADJUSTABLE FLOW REDUCER FOR EXPOSED CISTERNS	1

INLET VALVES

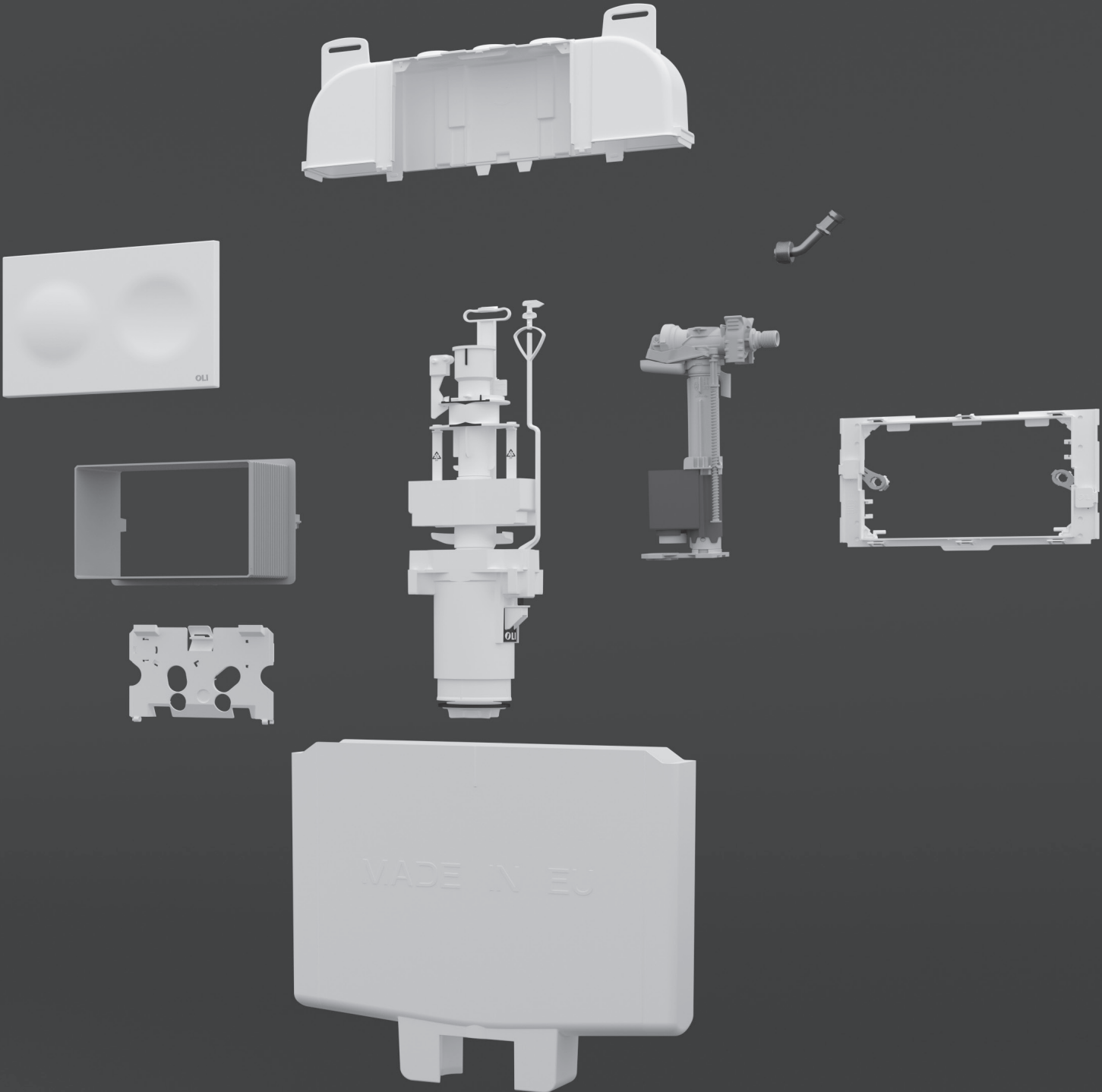


NR.	CODE	DESCRIPTION	QT. CODE
1	058025	BOTTOM COVER	1
2	012002	PARTS SET JOLLY UNI	1
3	878899	MEMBRANE KIT FOR IVC100 PLUS	1
4	878824	MEMBRANE KIT FOR IVC 102 PLUS	1
5	012001	MEMBRANE KIT FOR AZOR	1
6	049494	MEMBRANE KIT FOR AZOR SILENT	1
7	880608	MEMBRANE KIT FOR NANO PLUS	1
8	885026	OLI ONE ADAPTERS	1
9	883173	MEMBRANE KIT FOR AG104 PLUS	1

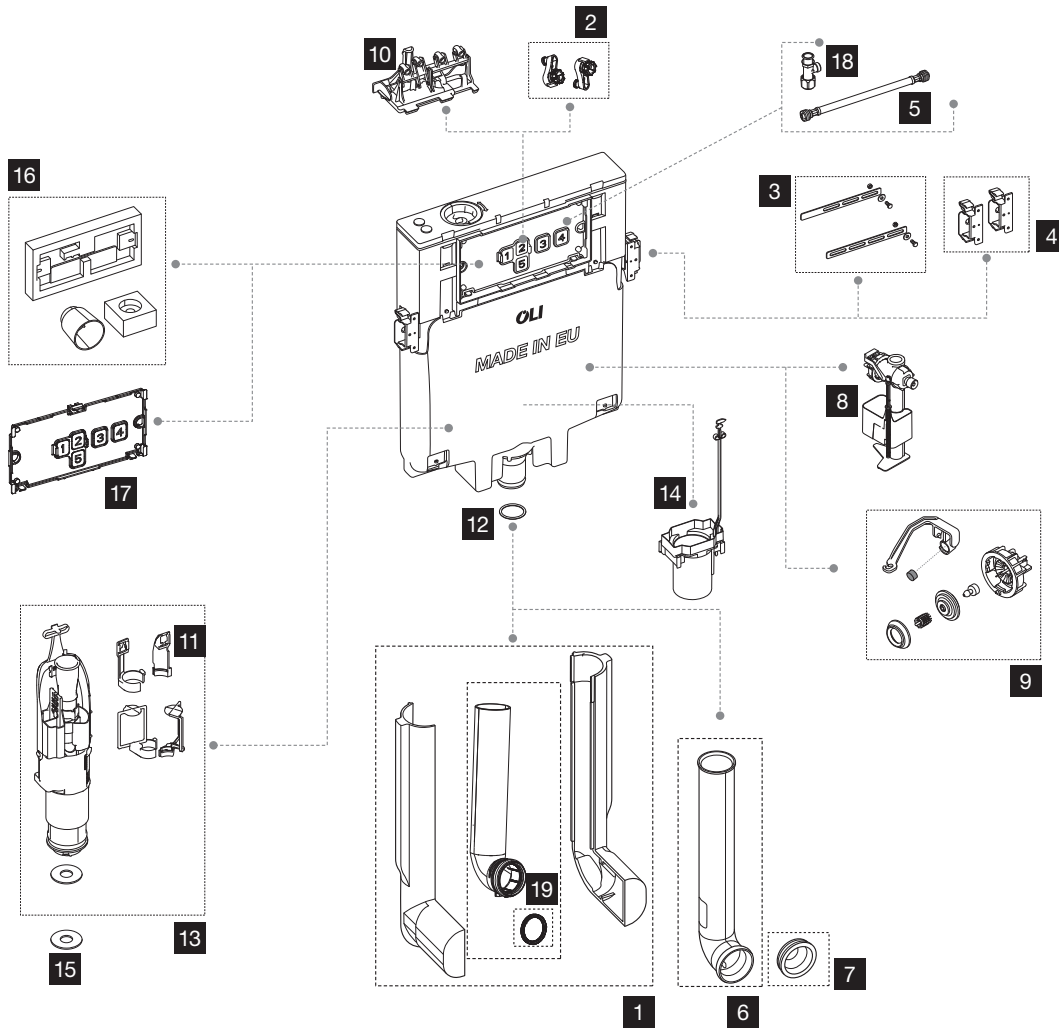
	FAST START/STOP	ECO TIRETTE	HANDLE	PUSH ECO	ATLAS BETA	ATLAS CABLE DECO CABLE	APOLO
BUTTONS	 9	 20	 12	 19	 2 3	 4 1	 2
WC FIXATION KIT	 7						
OUTLET VALVE GUIDE	 14 8				 13 15	 13 14	 18
SEAL	 16 (60X23.8X2.7)				 5 (60X26.5X2.7)	 17 (60x32X2.7)	
FOAM SEAL CERAMIK TANK	 10 (110X68X15)						
FOAM SEAL VALVE GUIDE	 11 (85X57X8)						
KIT FOR MEDIUM LEVEL CERAMIC	 6						

NR.	CODE	DESCRIPTION	QT. CODE
1	054600	ATLAS/DECO CABLE PUSH BUTTONS >12	1
2	065328	ATLAS PUSH BUTTONS >12	1
3	883219	BETA PUSH BUTTON	1
4	021184	CABLE FOR ATLAS CABLE	1
5	883226	CABLE OUTLET VALVE SEAL 60X26.5X2	5
6	057994	CHROME PIPE KIT FOR MEDIUM LEVEL CERAMIC CISTERNS	1
7	023425	CISTERN FIXATION KIT M6X100 STAINLESS STEEL	1
8	023400	CLOSE-COUPLED OUTLET VALVE GUIDE - Ø50 (1. 1/2")	1
9	096003	FAST START/STOP PUSH BUTTON	1
10	053826	FOAM SEAL 110X68X15 FOR WC PAN	5
11	047922	FOAM SEAL FOR OUTLET VALVE GUIDE 85X57X8	2
12	033767	HANDLE PUSH BUTTON	1
13	013666	MEDIUM LEVEL CERAMIC CISTERNS ATLAS OUTLET VALVE GUIDE - Ø50 (1. 1/2")	1
14	049738	MEDIUM LEVEL CERAMIC CISTERNS OUTLET VALVE GUIDE - Ø50 (1. 1/2")	1
15	011919	OUTLET VALVE GUIDE FOR ATLAS CLOSE-COUPLED - Ø50 (1. 1/2")	1
16	883028	OUTLET VALVE SEAL 60X23.8X2.7	5
17	883174	OUTLET VALVE SEAL APOLO	5
18	883208	OUTLET VALVE SUPPORT APOLO	1
19	048514	POUSSOIR ECO PUSH BUTTON	1
20	036905	TIRETTE ECO PUSH BUTTON	1

# OUT OF RANGE

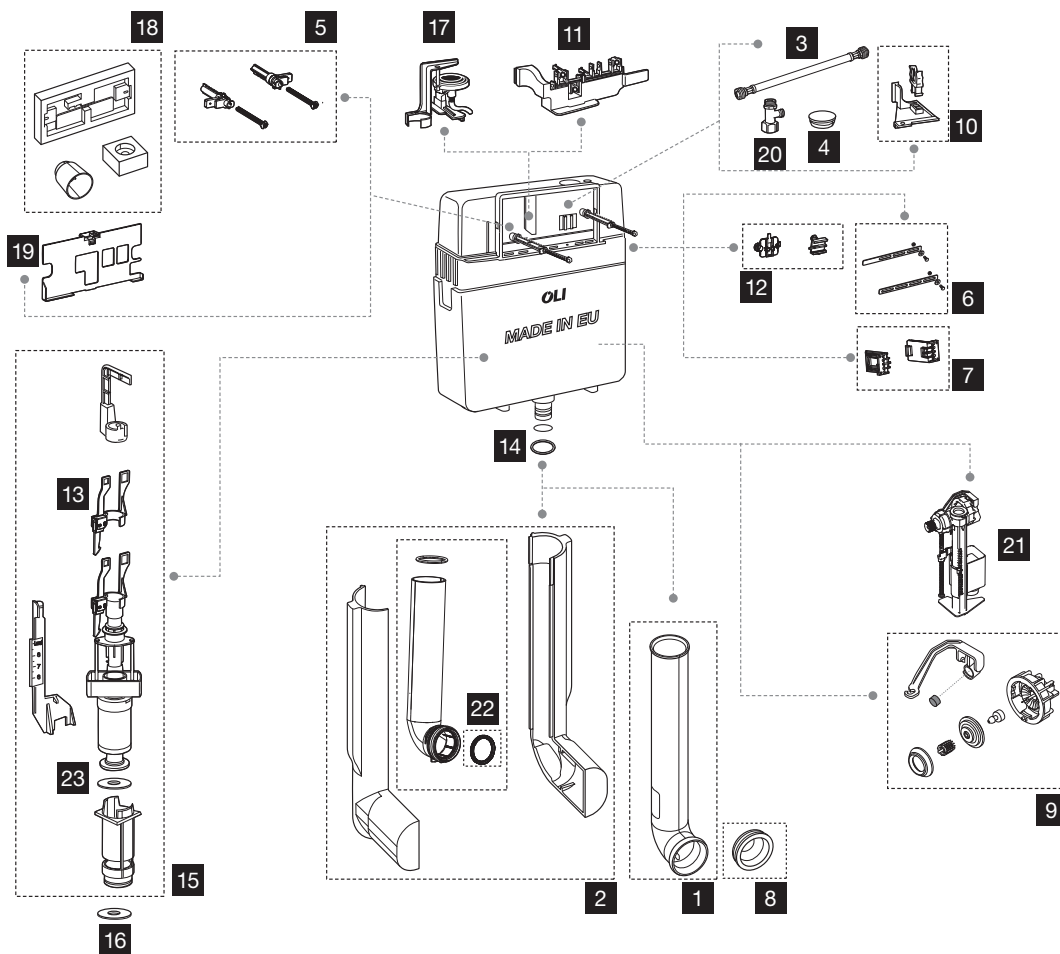


EVO 330



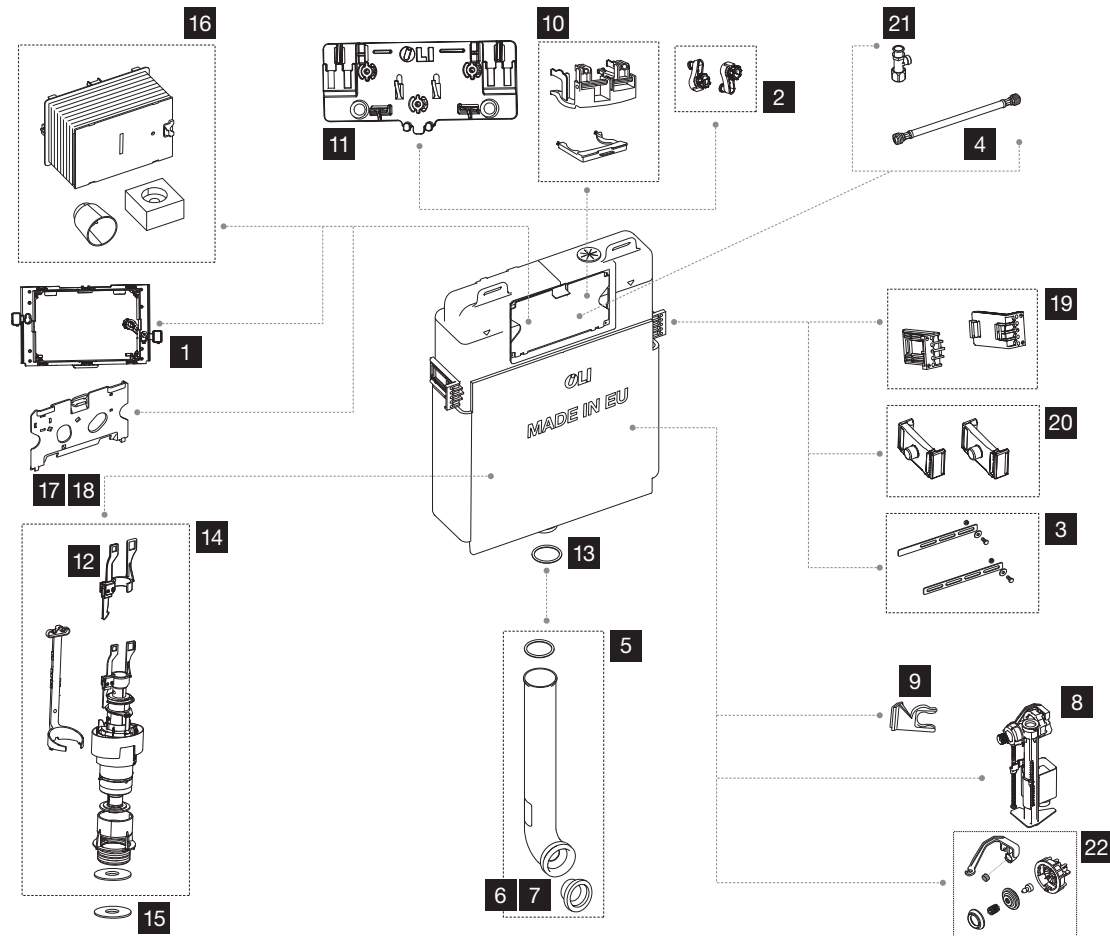
NR.	CODE	DESCRIPTION	QT. CODE
1	887867	COMPLETE FLUSH PIPE D55X260 + SEAL + FOAM	1
2	011150	CONTROL PLATE FIXERS	2
3	021210	FIXATION KIT WITHOUT FRAME	2
4	021213	FIXERS	2
5	021204	FLEXIBLE HOSE 3/8 / 3/8 X 250	1
6	021266	FLUSH PIPE D55X360 < 2022 DIRECT VERSION	1
7	021209	FLUSH PIPE SEAL Ø40/45 < 2022 DIRECT VERSION	5
8	887872	INLET VALVE NANO	1
9	880608	INLET VALVE MEMBRANE NANO	1
10	021208	LEVER BLOCK	1
11	011440	MECHANIC OUTLET VALVE ANCHORS	1
12	021212	O-RING Ø37	5
13	002992	OUTLET VALVE	1
14	883906	OUTLET VALVE GUIDE	1
15	883028	OUTLET VALVE SEAL 60X23.8X2.7	5
16	021211	PROTECTIVE BOX	1
17	021207	PROTECTIVE PLATE	1
18	021206	STOP VALVE	1
19	101753	FLUSH PIPE SEAL D45	1

DIAMANTE

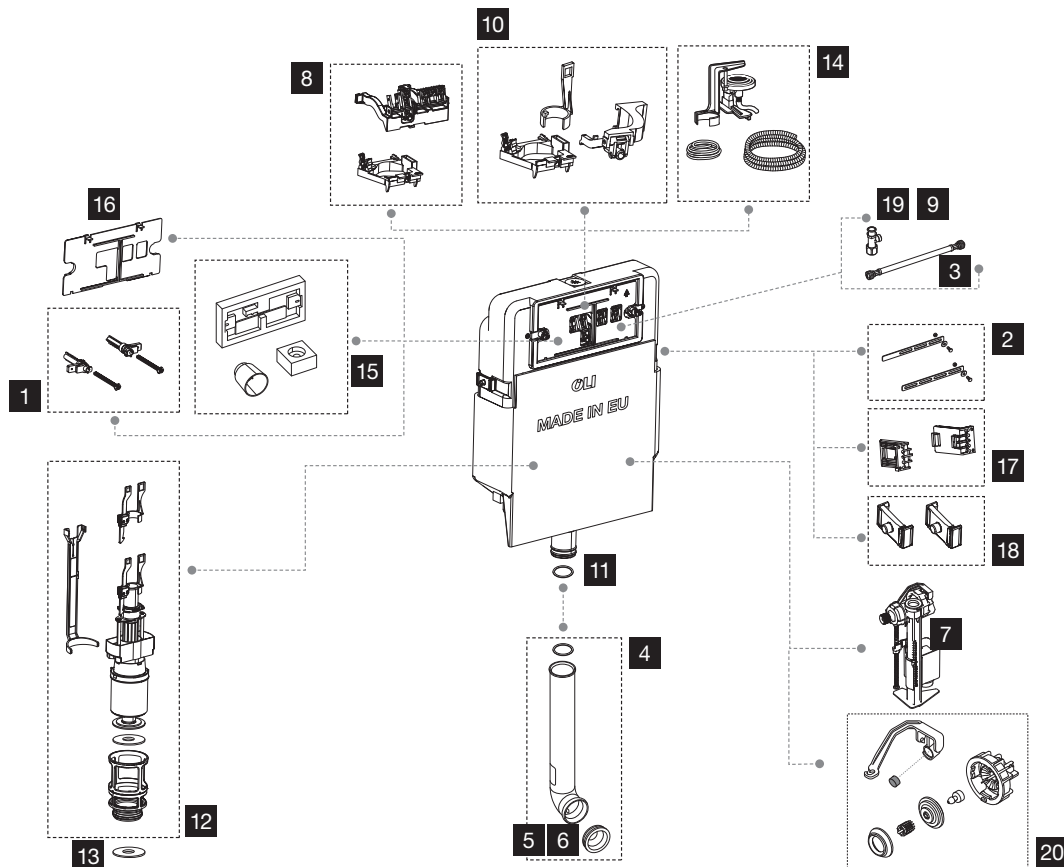


NR.	CODE	DESCRIPTION	QT. CODE
1	021266	FLUSH PIPE D55X360 < 2022 DIRECT VERSION	1
2	887867	COMPLETE FLUSH PIPE D55X260 + SEAL + FOAM	1
3	887611	FLEXIBLE BEND WITH SEAL	1
4	037105	COVER PROTECTION	5
5	037104	FIXATION KIT >99	2
6	021210	FIXATION KIT WITHOUT FRAME	2
7	011975	FIXERS	10
8	021209	FLUSH PIPE SEAL Ø40/45 < 2022 DIRECT VERSION	5
9	880608	INLET VALVE MEMBRANE NANO	1
10	049512	INLET VALVE SUPPORT	1
11	032477	LEVER BLOCK	1
12	048607	LEVER BLOCK FIXER	1
13	056932	MECHANIC OUTLET VALVE ANCHORS	1
14	021212	O-RING Ø37	5
15	037106	OUTLET VALVE	1
16	883028	OUTLET VALVE SEAL 60X23.8X2.7	5
17	556805	PNEUMATIC BLOCK	1
18	021211	PROTECTIVE BOX	1
19	033494	PROTECTIVE PLATE	1
20	021206	STOP VALVE	1
21	882495	INLET VALVE NANO PLUS 3/8"	1
22	101753	FLUSH PIPE SEAL D45	1

BETTER



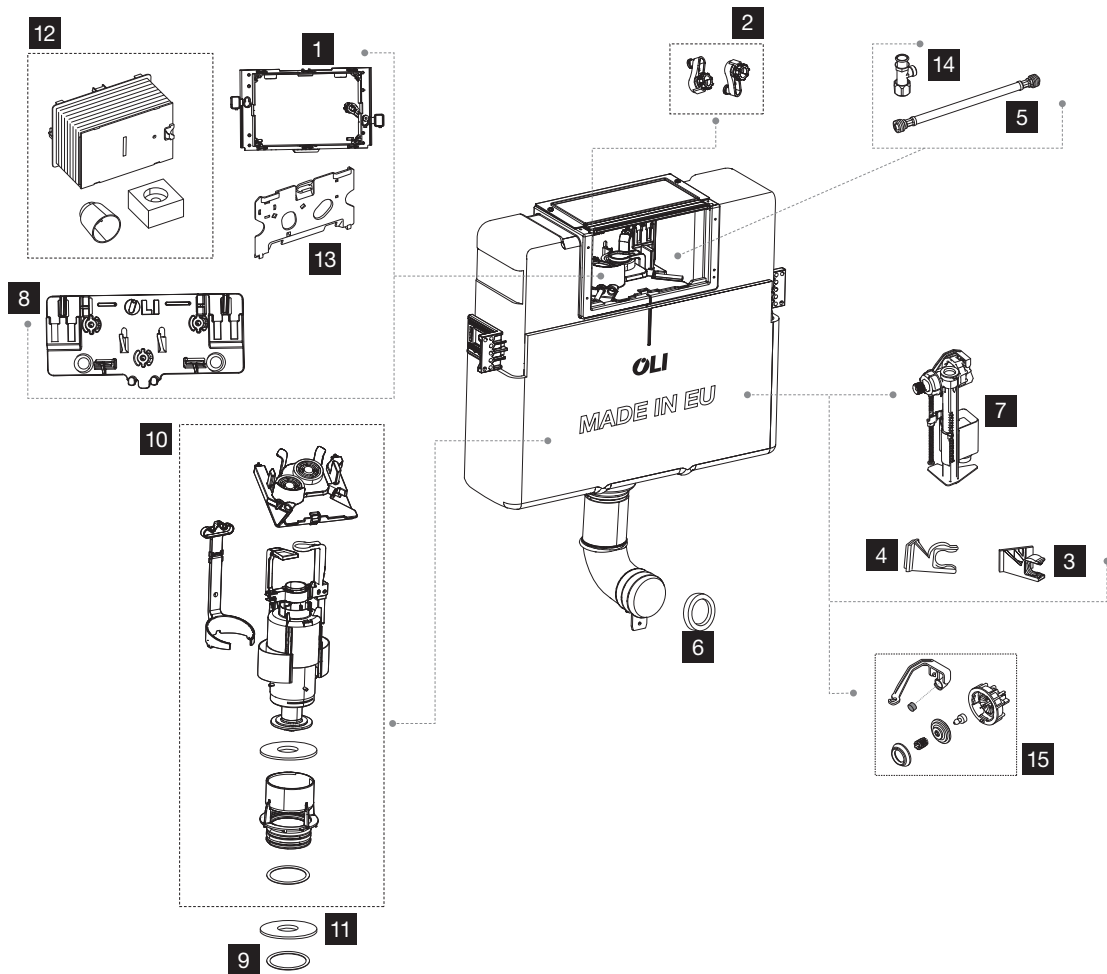
NR.	CODE	DESCRIPTION	QT. CODE
1	011195	BASE FOR PROTECTIVE BOX	1
2	011150	CONTROL PLATE FIXERS	2
3	021210	FIXATION KIT WITHOUT FRAME	2
4	050997	FLEXIBLE HOSE 3/8 / 3/8 X 400	1
5	021266	FLUSH PIPE D55X360 < 2022 DIRECT VERSION	1
6	021209	FLUSH PIPE SEAL Ø40/45 < 2022 DIRECT VERSION	5
7	037113	FLUSH PIPE SEAL Ø45	5
8	882495	INLET VALVE NANO PLUS 3/8"	1
9	033449	INLET VALVE SUPPORT	1
10	033450	LEVER BLOCK	1
11	033451	LEVER BLOCK FIXER	1
12	056932	MECHANIC OUTLET VALVE ANCHORS	1
13	021212	O-RING Ø37	5
14	002987	OUTLET VALVE	1
15	883028	OUTLET VALVE SEAL 60X23.8X2.7	5
16	026698	PROTECTIVE BOX >09	1
17	053424	PROTECTIVE PLATE <09	1
18	021271	PROTECTIVE PLATE >09	1
19	011978	SANITARBLOCK FIXERS	10
20	011977	SIMFLEX FIXERS	10
21	021206	STOP VALVE	1
22	880608	INLET VALVE MEMBRANE NANO	1



NR.	CODE	DESCRIPTION	QT. CODE
1	037104	FIXATION KIT >99	2
2	021210	FIXATION KIT WITHOUT FRAME	2
3	021270	FLEXIBLE HOSE 3/8 / 3/8 X 300	1
4	021266	FLUSH PIPE D55X360 < 2022 DIRECT VERSION	1
5	021209	FLUSH PIPE SEAL Ø40/45 < 2022 DIRECT VERSION	5
6	037113	FLUSH PIPE SEAL Ø45	5
7	882495	INLET VALVE NANO PLUS 3/8"	1
8	041637	LEVER BLOCK DUAL FLUSH	1
9	037117	LEVER BLOCK <01 SINGLE FLUSH	1
10	056932	MECHANIC OUTLET VALVE ANCHORS	1
11	021212	O-RING Ø37	5
12	048681	OUTLET VALVE	1
13	002997	OUTLET VALVE SEAL	10
14	556801	PNEUMATIC BLOCK	1
15	021211	PROTECTIVE BOX	1
16	037114	PROTECTIVE PLATE	1
17	011978	SANITARBLOCK FIXERS	10
18	011977	SIMFLEX FIXERS	10
19	021206	STOP VALVE	1
20	880608	INLET VALVE MEMBRANE NANO	1

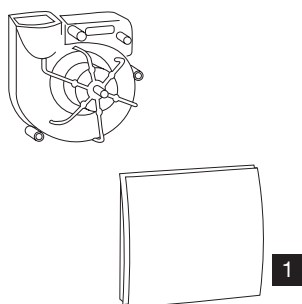


EXPERT/CORNER



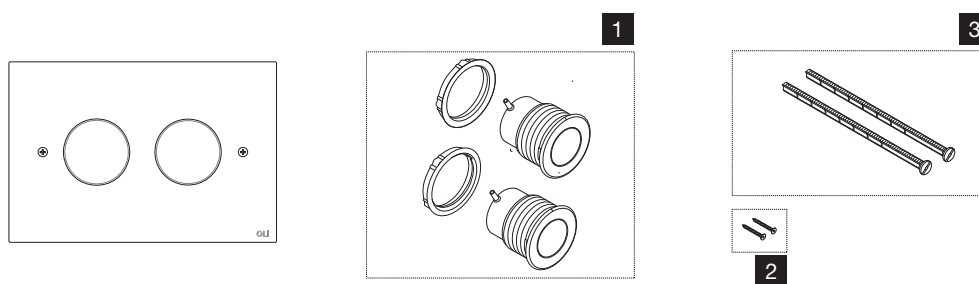
NR.	CODE	DESCRIPTION	QT. CODE
1	011195	BASE FOR PROTECTIVE BOX	1
2	011150	CONTROL PLATE FIXERS	2
3	037122	CORNER INLET VALVE SUPPORT	5
4	037123	EXPERT INLET VALVE SUPPORT	5
5	050997	FLEXIBLE HOSE 3/8 / 3/8 X 400	1
6	037113	FLUSH PIPE SEAL Ø45	1
7	882495	INLET VALVE NANO PLUS 3/8"	1
8	033451	LEVER BLOCK FIXER	1
9	021212	O-RING Ø37	5
10	048288	OUTLET VALVE	1
11	883028	OUTLET VALVE SEAL 60X23.8X2.7	5
12	026698	PROTECTIVE BOX >09	1
13	021271	PROTECTIVE PLATE >09	1
14	021206	STOP VALVE	1
15	880608	INLET VALVE MEMBRANE NANO	1

### HAPPY AIR



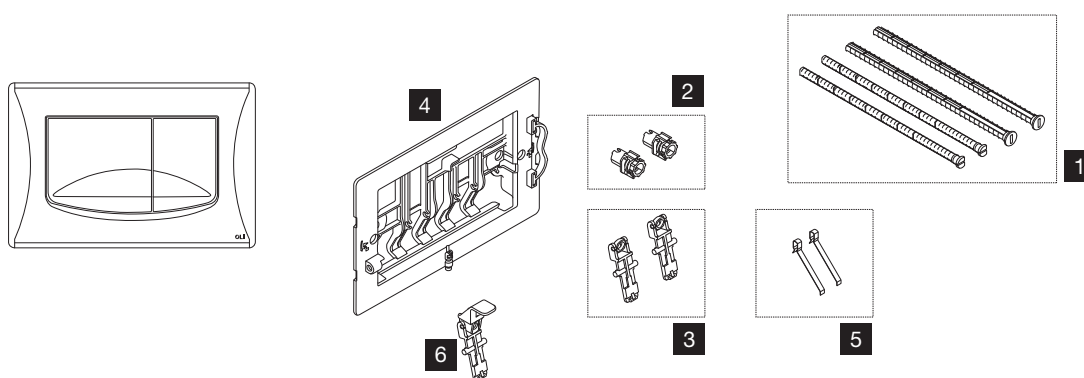
1	601540	COVERING PLATE WITH FILTER	1
---	--------	----------------------------	---

### TREND



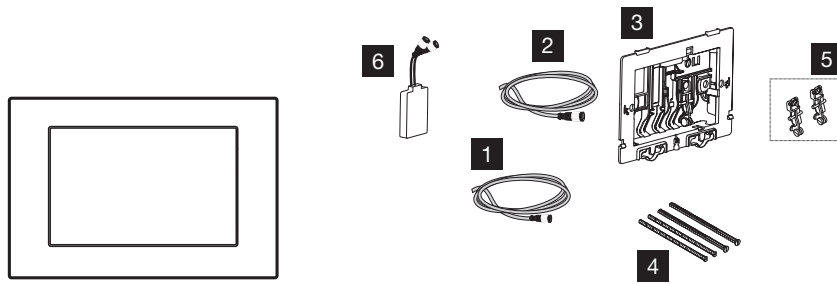
NR.	CODE	DESCRIPTION	QT. CODE
1	056982	PNEUMATIC PUSH BUTTON	2
2	058424	STAINLESS STEEL SCREW M4 X 25	2
3	011191	PLATE FIXATION SCREWS	2

### RIVER



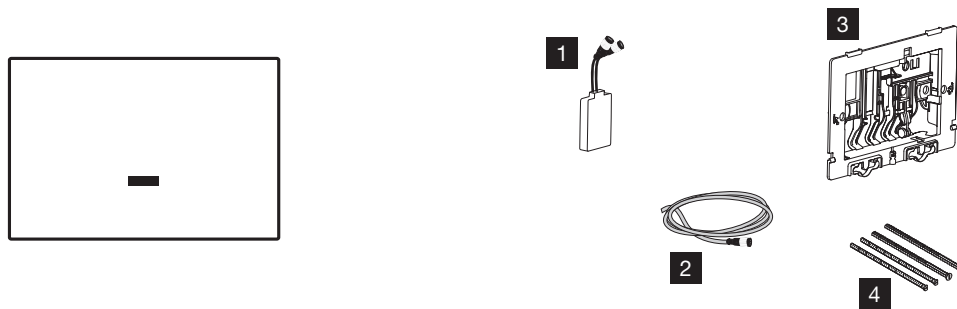
NR.	CODE	DESCRIPTION	QT. CODE
1	037150	CONTROL PLATE ACTUATION AND FIXATION SCREWS	4
2	037152	FIXATION KIT <09	2
3	056676	LEVER SET	2
4	041676	COUNTER PLATE >09	1
5	041682	SPRINGS	10
6	041687	LEVER SET STOP	1

ELECTRA I



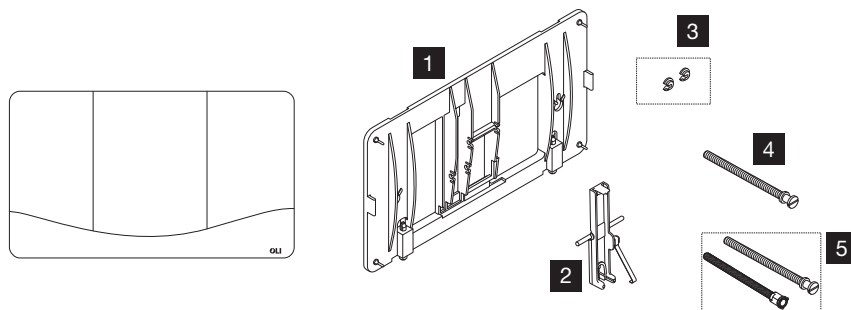
NR.	CODE	DESCRIPTION	QT. CODE
1	887325	POWER CABLE	1
2	183025	REMOTE CONTROL CABLE	1
3	041689	COUNTER PLATE	1
4	037150	FLUSH PLATE ACTUATION AND FIXATION SCREWS	4
5	037303	LEVER SET	2
6	182912	SENSOR	1

ELECTRA II



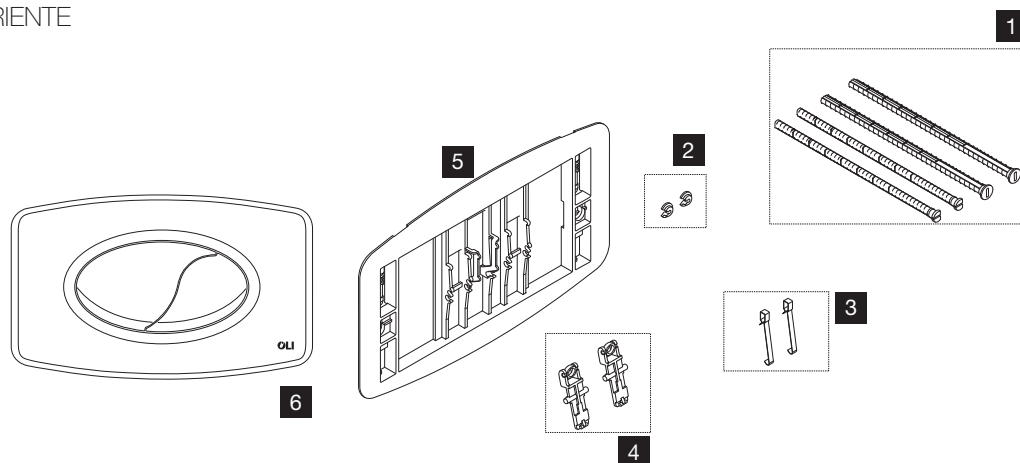
NR.	CODE	DESCRIPTION	QT. CODE
1	888089	SENSOR	1
2	887325	POWER CABLE	1
3	041689	COUNTER PLATE	1
4	053897	PLATE FIXATION SCREWS	2

GIADA



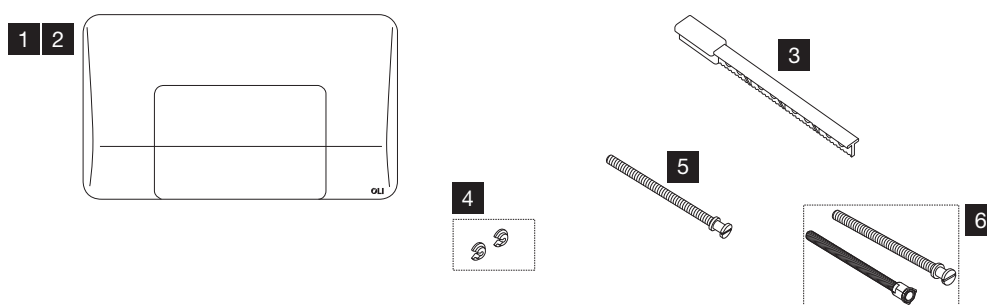
NR.	CODE	DESCRIPTION	QT. CODE
1	009687	COUNTER PLATE	1
2	049980	LEVER SET	1
3	056973	FIXATION WASHER <12	2
4	049975	ACTUATION SCREWS SINGLE FLUSH	10
5	036921	ACTUATION SCREWS SINGLE FLUSH AND PROLONGATION	1

## ORIENTE



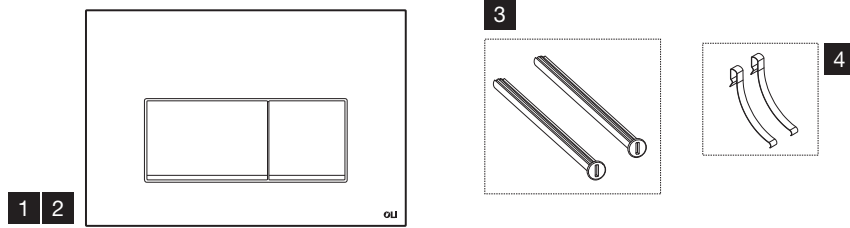
NR.	CODE	DESCRIPTION	QT. CODE
1	037150	FLUSH PLATE ACTUATION AND FIXATION SCREWS	4
2	056973	FIXATION WASHER <12	2
3	011986	SPRINGS	10
4	049985	LEVER SET	2
5	049982	COUNTER PLATE	1
6	635161	WHITE CONTROL PLATE	1

## DIAMANTE



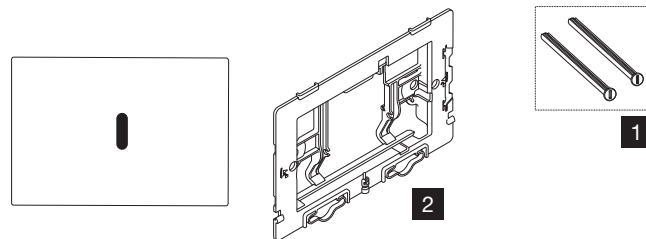
NR.	CODE	DESCRIPTION	QT. CODE
1	050023	DIAMANTE CONTROL PLATE WHITE	1
2	050024	DIAMANTE CONTROL PLATE CHROME	1
3	049971	LEVER EXTENSION	10
4	056973	FIXATION WASHER <12	2
5	049975	ACTUATION SCREWS SINGLE FLUSH	10
6	036921	ACTUATION SCREWS SINGLE FLUSH AND PROLONGATION	1

STREAM



NR.	CODE	DESCRIPTION	QT. CODE
1	011602	STREAM CONTROL PLATE CHROME	1
2	011601	STREAM CONTROL PLATE WHITE	1
3	054596	SPRINGS	10
4	053897	PLATE FIXATION SCREWS	2

ELETRONIC



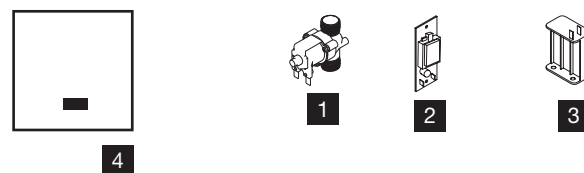
NR.	CODE	DESCRIPTION	QT. CODE
1	053897	PLATE FIXATION SCREWS	2
2	050202	COUNTER PLATE	2

URINAL



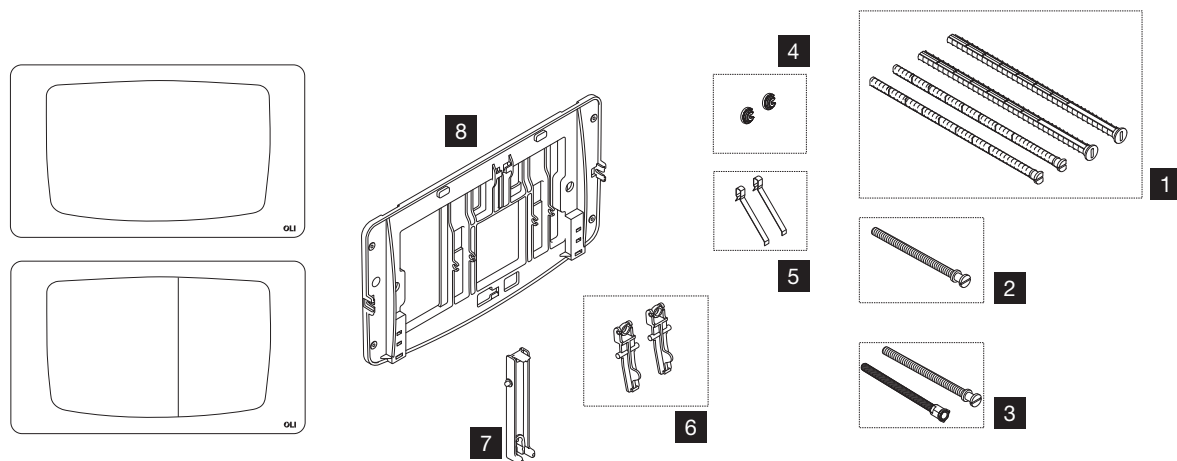
NR.	CODE	DESCRIPTION	QT. CODE
1	879140	URINAL COMPLETE SET	1

ELECTRA URINAL



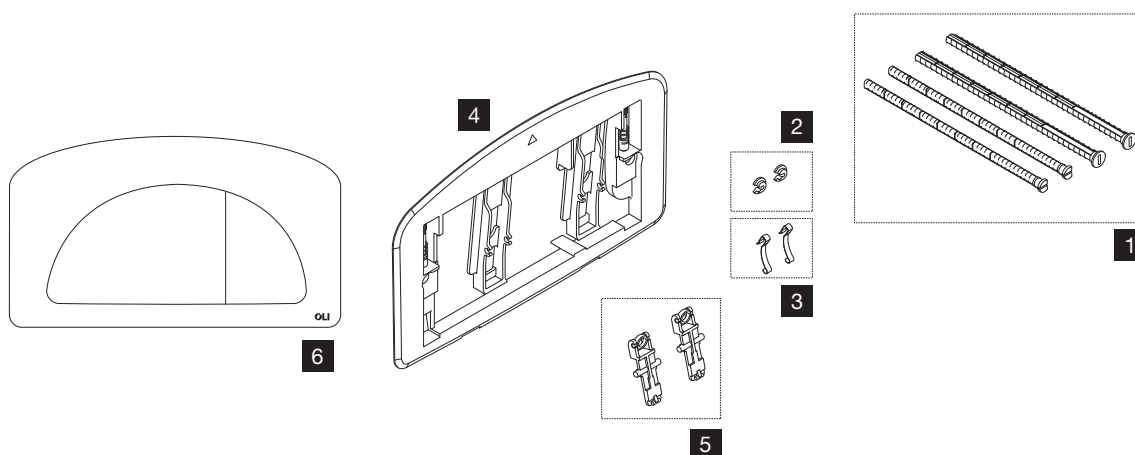
NR.	CODE	DESCRIPTION	QT. CODE
1	885002	SOLENOID VALVE	10
2	885001	CONTROLLER	5
3	885000	BATTERY HOLDER	10
4	884999	FLUSH PLATE AND SENSOR	5

## CLASSIC

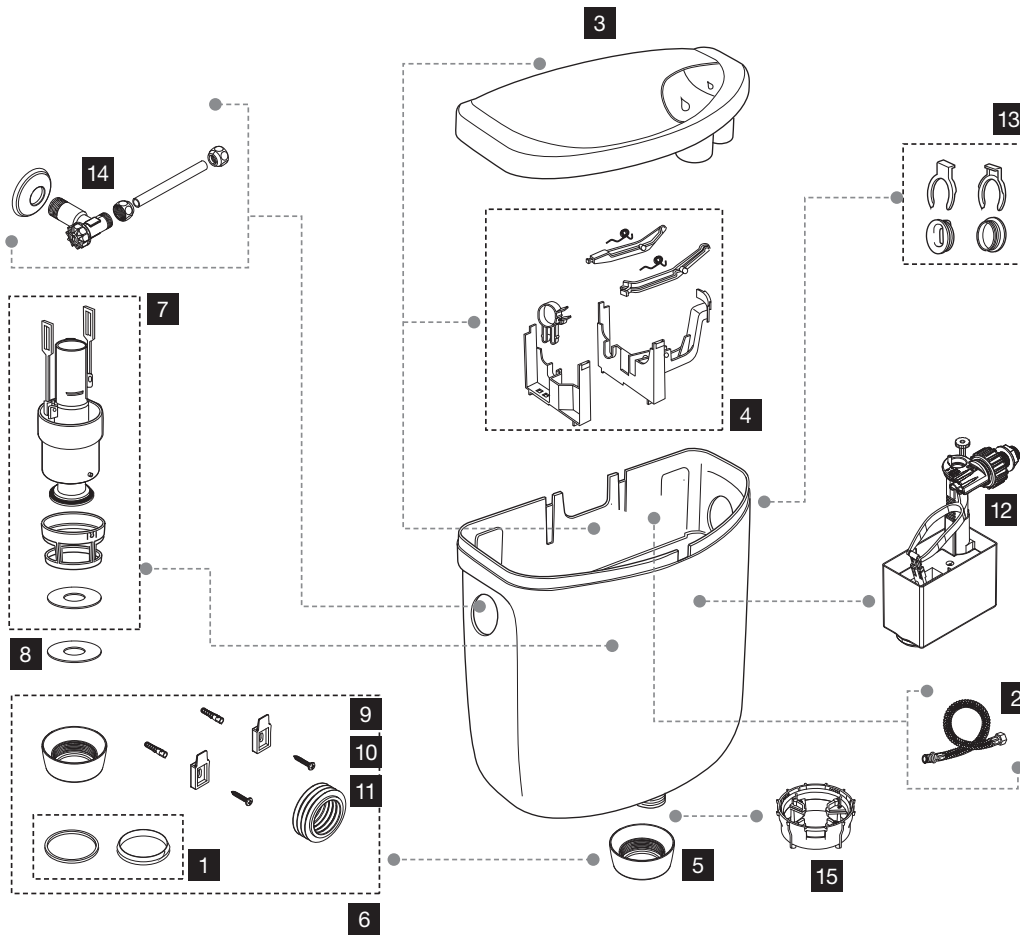


NR.	CODE	DESCRIPTION	QT. CODE
1	037150	FLUSH PLATE ACTUATION AND FIXATION SCREWS	4
2	049975	ACTUATION SCREWS SINGLE FLUSH	10
3	036921	ACTUATION SCREWS SINGLE FLUSH AND PROLONGATION	2
4	056973	FIXATION WASHER <12	2
5	058833	SPRINGS	10
6	037578	LEVER SET	2
7	054594	START/STOP CONTROL PLATE LEVER	1
8	049983	COUNTER PLATE	1

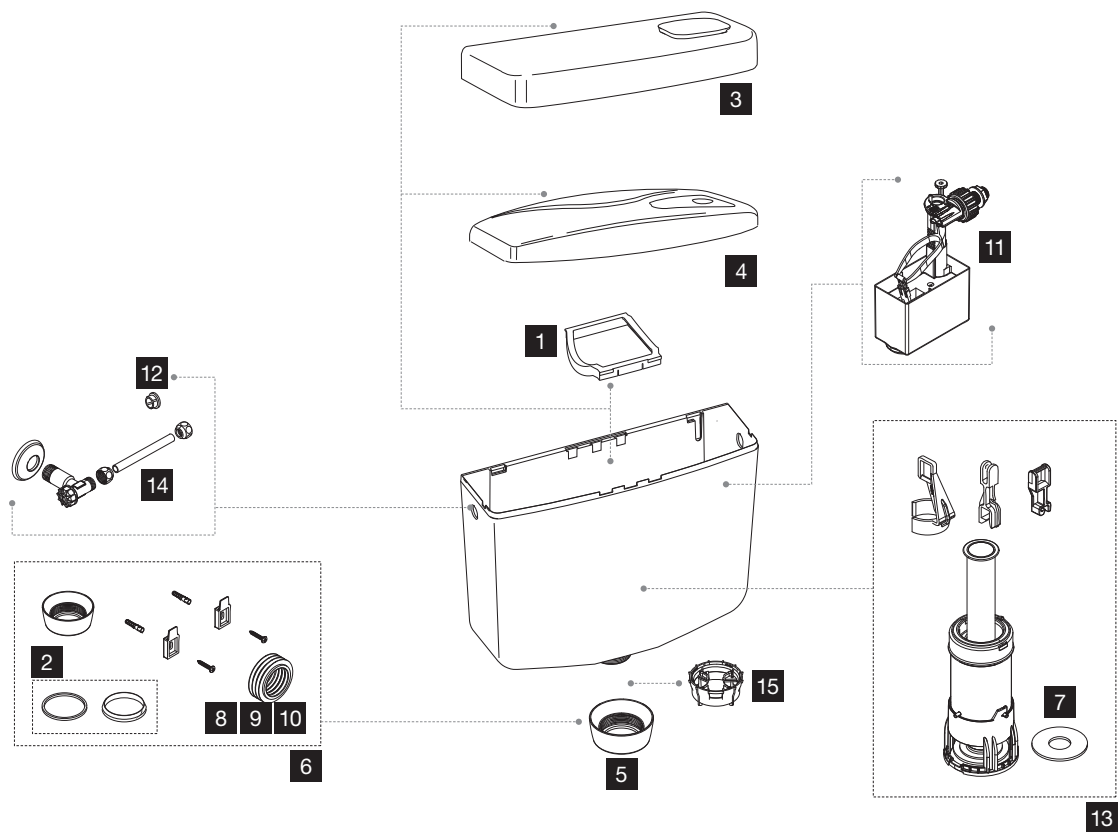
## DUAL



NR.	CODE	DESCRIPTION	QT. CODE
1	037150	CONTROL PLATE ACTUATION AND FIXATION SCREWS	4
2	056973	FIXATION WASHER <12	2
3	011986	SPRINGS	10
4	049981	COUNTER PLATE	1
5	049985	LEVER SET	2
6	627001	WHITE CONTROL PLATE	1



NR.	CODE	DESCRIPTION	QT. CODE
1	053386	CONICAL SEAL FOR FLUSH PIPE	1
2	037191	FLEXIBLE HOSE 3/8X3/8	1
3	013140	HAVANA WHITE LID	1
4	028379	LEVER BLOCK	5
5	030858	NUT FLUSH WHITE	1
6	883327	NUT FLUSH WHITE AND ACCESSORIES	1
7	034173	OUTLET VALVE	1
8	037188	OUTLET VALVE SEAL	1
9	050993	RUBBER SEAL Ø32	5
10	050992	RUBBER SEAL Ø40	5
11	037133	RUBBER SEAL Ø45	5
12	560160	SIDE INLET VALVE 3/8	1
13	037194	SIDE WHITE COVER	5
14	030859	STOP VALVE 1/2X3/8	1
15	883088	ADJUSTABLE FLOW REDUCER FOR EXPOSED CISTERNS	1



NR.	CODE	DESCRIPTION	QT. CODE
1	037197	CENTRAL BLOCK	1
2	053386	CONICAL SEAL FOR FLUSH PIPE	1
3	012937	GEMMA WHITE LID	1
4	054388	IVORY WHITE LID	1
5	030858	NUT FLUSH WHITE	1
6	883327	NUT FLUSH WHITE AND ACCESSORIES	1
7	883028	OUTLET VALVE SEAL 60X23.8X2.7	5
8	050993	RUBBER SEAL Ø32	5
9	050992	RUBBER SEAL Ø40	5
10	037133	RUBBER SEAL Ø45	5
11	560160	SIDE INLET VALVE 3/8	1
12	883225	SIDE WHITE COVER	4
13	011989	START/STOP TOPAZIO OUTLET VALVE	1
14	030859	STOP VALVE 1/2X3/8	1
15	883088	ADJUSTABLE FLOW REDUCER FOR EXPOSED CISTERNS	1



# ONLINE SUPPORTS

## CUSTOMER SUPPORT

**ALWAYS CONTACT OLI SUPPORT THROUGH PHONE OR E-MAIL**

OLI provides phone contact +351 234 300 200 and email [export@oli-world.com](mailto:export@oli-world.com) to provide a close accompaniment throughout the year for every project.

## OLI ON SOCIAL MEDIA

**FOLLOW ALL OLI UPDATES AND NEWS**



## BIM

**OLI IS COMMITTED TO BE AT THE FOREFRONT OF DEVELOPMENT IN THE CONSTRUCTION SECTOR.**

BIM is the new standard of construction and facilitates the transfer of information between stakeholders and enables integrated management throughout the product life cycle. [www.oli-world.com/en/services/-/bim-objects/](http://www.oli-world.com/en/services/-/bim-objects/)



## COLORADD

**INNOVATION AND SOCIAL VANGUARD**

OLI is the first sanitary systems company in the world to adopt ColorADD, a unique, universal and transversal code that allows colour blind people to correctly identify colours.



White



Black  
Black Soft Touch



Matt chrome  
Chrome



Anthracite  
Grey Soft Touch



Red



Taupe



Gold



Polished Chrome



## OLI TECH

**OLI TECH WAS DEVELOPED FOR SMARTPHONE AND TABLET TO PROVIDE DIRECT ACCESS TO USEFUL INFORMATION FOR PROFESSIONALS.**

Get quick access to technical data sheets, assembly instructions, maintenance videos and products characteristics that OLI offers to market.

Download OLI TECH through the QR-CODES and give feedback to: [communication@oli-world.com](mailto:communication@oli-world.com)



Virtual showroom:  
[www.oli-world.com/en/services-/showroom-360-/sanitary-systems](http://www.oli-world.com/en/services-/showroom-360-/sanitary-systems)

## SHOWROOM 360°

**PRESENTS SEVERAL SOLUTIONS FOR SUSTAINABLE FLUSHING SYSTEMS, DUAL FLUSH FLUSH PLATES AND MECHANISMS FOR ALL TYPES OF WALLS AND TOILETS.**

Browse and discover all the innovative and sustainable solutions in a configuration that brings you closer to the real installation.

Discover new products and find all the necessary information in an intuitive way!

## GENERAL SALES CONDITIONS

The General Sales Conditions in force regulate all commercial transactions between OLI Sistemas Sanitarios, S.A. and the customer and apply to all orders, deliveries, payments, returns and guarantees concerning goods, equipment, materials and services provided by OLI Sistemas Sanitarios, S.A. the detailed document is available for consultation on the official website of OLI Sistemas Sanitarios, S.A.

<https://www.oli-world.com/en/general-sales-conditions/>





**OLI-Sistemas Sanitários, S.A.**

Travessa do Milão, Esgueira  
3800-314 Aveiro, Portugal

T (+351) 234 300 200

F (+351) 234 300 212

Call to Portuguese mobile phone network

[www.oli-world.com](http://www.oli-world.com)  
[export@oli-world.com](mailto:export@oli-world.com)

Inspired by water...