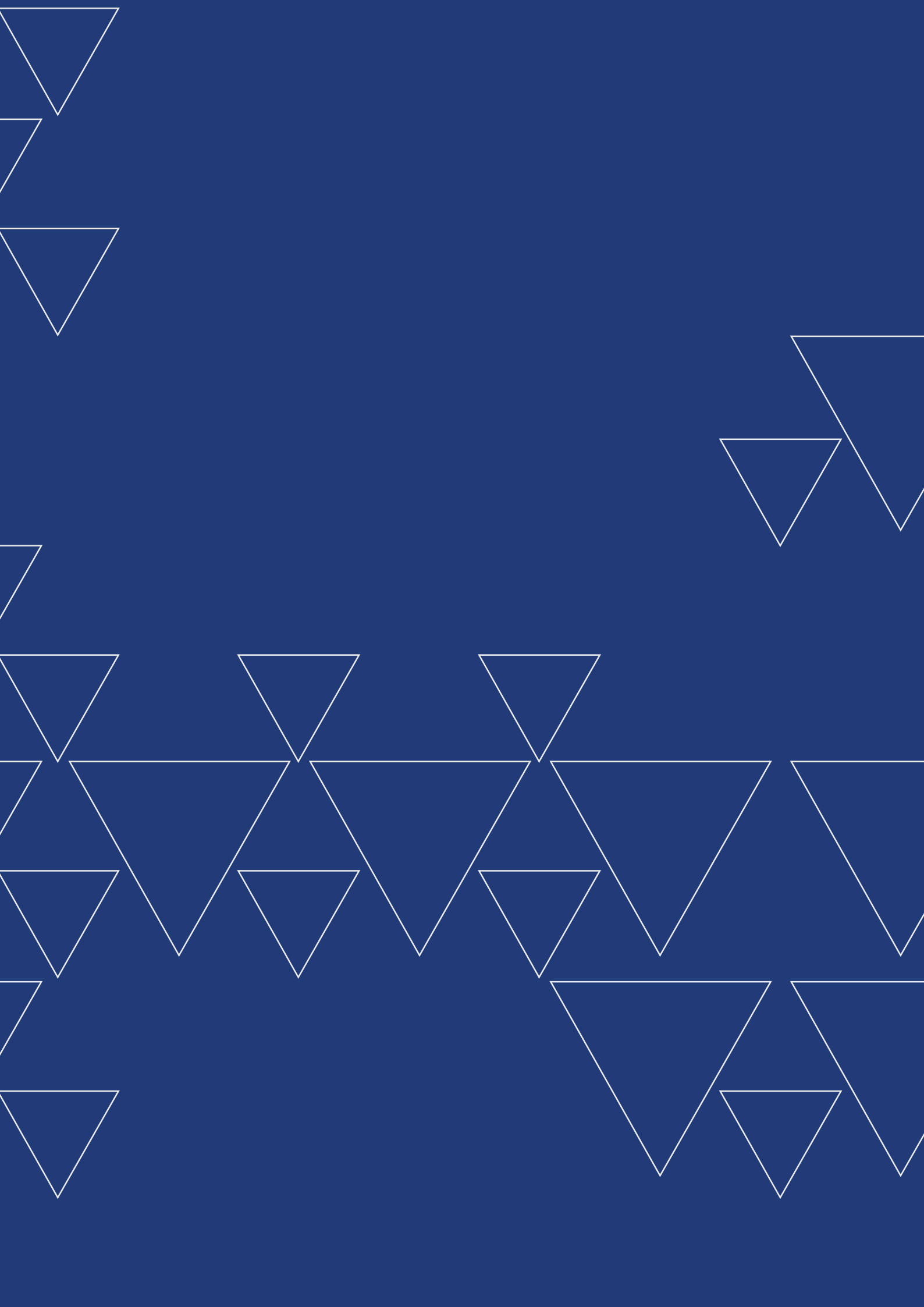


The OLI logo is positioned in the top right corner. It features a stylized white 'O' with a dot inside, followed by the letters 'LI' in a bold, sans-serif font. The background of the entire page is a photograph of a modern bathroom with marble walls and a white toilet. The image is overlaid with a pattern of white-outlined triangles and several solid blue triangles pointing downwards.

Water, as future.

GENERAL CATALOGUE
2023-2024





Water, as future.

Water, this gift that hydrates us and irrigates the fields that provide us with nourishment. This sea in which we navigate, this rain that holds the world in balance. What future awaits it? What future awaits us? "Water, as future." is more than a statement, it is a belief in responding to the threat that involves water. This is what drives us at OLI every day. Contributing to saving water, the efficiency of its use, the sustainability of its origin and the respect for this element at every moment of its use. It is knowing that there is a learning process to be done and that this is the time for it. We are concerned just as we are motivated by the knowledge that throughout our history we have contributed towards more responsible and sustainable water consumption. Flushing with lower consumption, more efficient use of water without wasting water in the bathroom are all part of OLI's principles. And this also leverages our future.

THE BATHROOM'S CONTRIBUTION TO WATER SUSTAINABILITY

Water is a scarce resource today. In recent decades it has become an asset of great economic, but above all environmental, importance. Climate change has accentuated the phenomenon of water deregulation, so the rational use of water has become a priority. This concern is in OLI's DNA. Products that are thought from its design to its production, to contribute to an effective water sustainability. More efficiency, less waste and a conscious use of water.



HOW TO SAVE WATER IN YOUR FLUSHING SYSTEM



DUAL FLUSH

Combining an efficient valve and flush plate with half and full flush options.



4/2 L

The combination of a 4-litre (full flush) and 2-litre (half flush) flush tank and an efficient and suitable toilet for this purpose results in immediate water savings.

SAVING 2 L
Complete Flush

SAVING 1 L
Half flush



CISTERN WITH 2 INLET VALVES

This flushing cistern is distinguished by having two water inlet valves in its architecture. One for drinking water from the mains and another for non-potable water designed for rainwater⁽¹⁾ but applicable to other waters (boreholes water or water wells) ensuring that only clear and filtered water⁽²⁾ is used. In this way it's possible to reuse rainwater for toilet flushing, saving drinking water that is essential for human consumption. It allows a more efficient use of the water resource and a saving in the water bill.

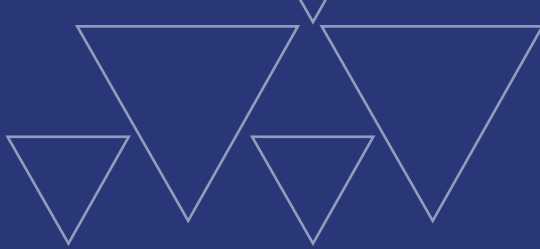
SAVE 100%
OF DRINKING WATER ON TOILET FLUSHING
Exclusive connection to a second source of Water^(1,2)

SAVE 50%
OF DRINKING WATER ON TOILET FLUSHING
Connection to water mains + Connection to a second water source^(1,2)

⁽¹⁾ The use of an internal circuit for the use of rainwater must comply with legal regulations on this type of use (legislation applicable to the installation location). The same applies to water coming from other sources such as boreholes whose legal framework must be respected. The correct and efficient operation of the tank requires the water used to be clean and filtered.

⁽²⁾ See the technical data sheet for the two inlet valves cistern for further specifications.





70%

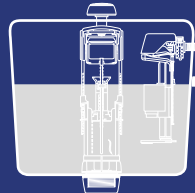
OF WATER CONSUMPTION IN A HOUSE TAKES PLACE IN THE BATHROOM



30%

OF WATER CONSUMPTION IN THE BATHROOM TAKES PLACE IN FLUSHING

INLET VALVE IN CLOSED POSITION



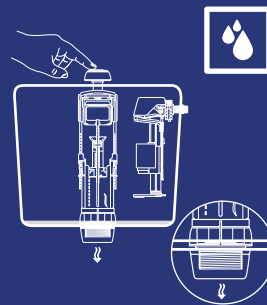
PLUS SYSTEM

This is a system created by OLI in which the inlet valve delays the inflow of water into the tank to prevent extra water being used for flushing. While flushing takes place, no new water enters the tank. This allows saving up to 9 litres of water per day, corresponding to a 12% reduction in water bill.

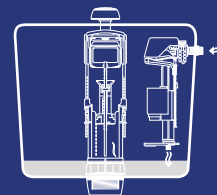
SAVE UP TO 9L OF WATER PER DAY⁽²⁾

⁽²⁾ Based on the average usage in a single-family home of 4 person with flushing cisterns without plus technology, with 18 flushes per day. Bill savings vary according to the tariffs applied in each market.

OPERATION MODE DUAL FLUSH

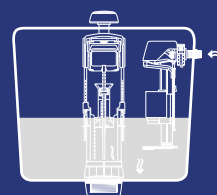
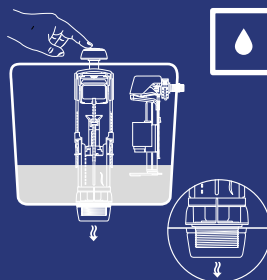


The cistern is emptied faster than the delaying system, while the inlet valve remains closed.



Once the water is flushed, the outlet valve closes and the delaying system makes the inlet valve open to fill the tank.

OPERATION MODE HALF FLUSH



As part of OLI's vision of sustainability, this catalogue is printed on Recycled label.
The forest-based material in this product is recycled.
The FSC® label on this catalogue ensures responsible use of the world's forest resources.

IN-WALL CISTERNS	10	
SANITARY MODULES	68	
EASY MOVE RANGE	78	
FRAMES	90	
FLUSH PLATES	104	
EXPOSED FLUSH CISTERNS	142	
MECHANISMS	152	
OLIFILO	168	
OLI SERVICES	178	



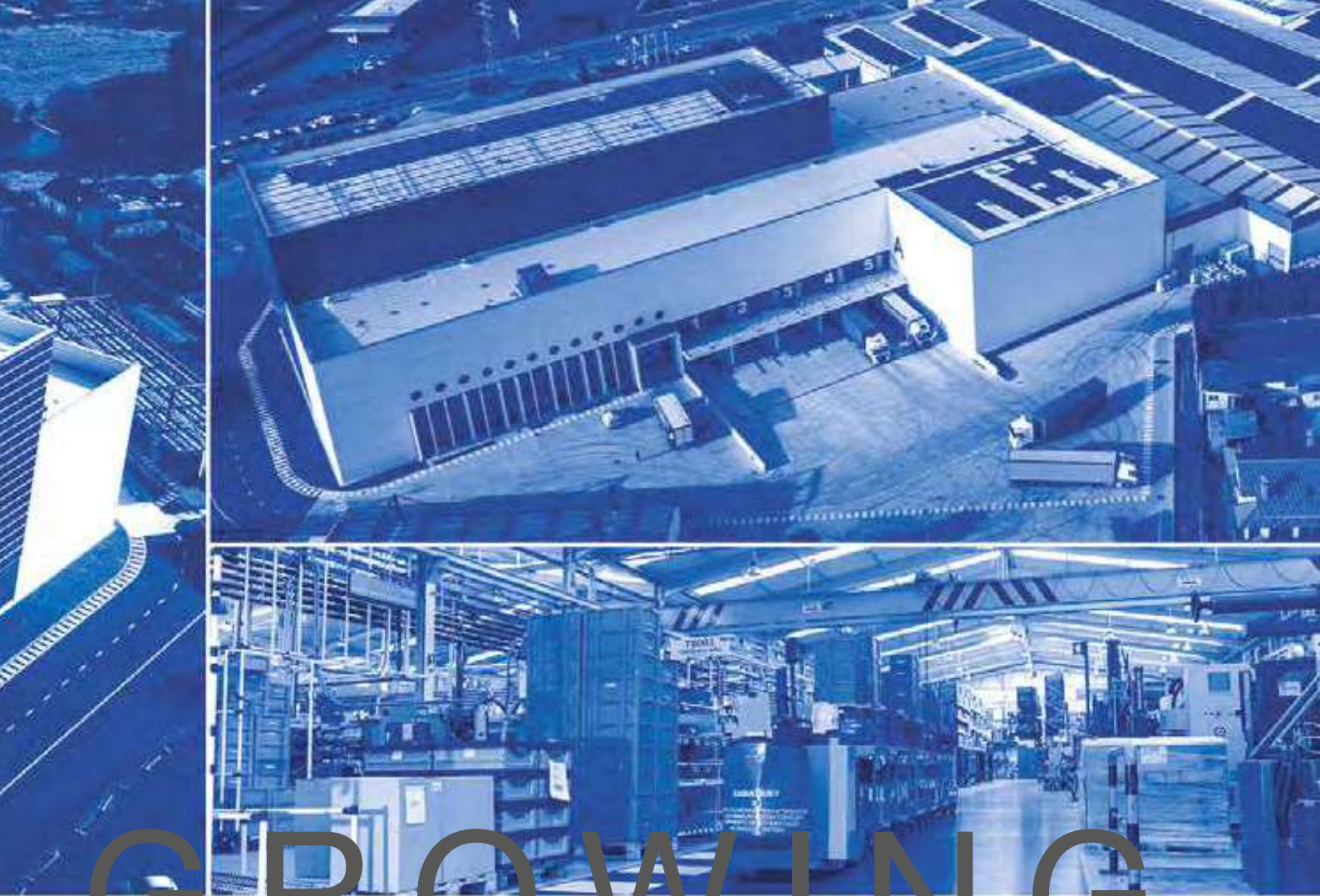
OLI

FROM PORTUGAL TO THE WORLD

OLI is the biggest manufacturer of flushing cisterns in South Europe and partner to the leading worldwide players of ceramic sanitary ware. The company was raised in Aveiro in 1954, in the center region of Portugal. From its wide and modern industrial complex, recognized by its productive efficiency, OLI exports 80% of its production to over 80 countries in the five continents. Today, OLI is a global brand that can be found in bathrooms all over the world. From a luxurious hotel in Dubai to a modern hospital in Israel, from the new football stadium in Qatar to the tourist restaurant in Italy. OLI also bets on the customization of its product to answer the requirements of each market, as well as to obtain diverse international certifications to authenticate the quality and safety of its solutions in the geographies in which it is present.

INNOVATION IN THE BRAND DNA

OLI factory never sleeps. Daily its R&D Center studies new solutions, water-efficient for a comfortable and inclusive bathroom. Innovation defines its DNA and its signature "Inspired by Water" - which expresses OLI mission to place innovation in the service of water preservation, with the goal of defending this scarce natural resource in which, life on this planet depends on. The dual flush mechanism (1994), which contributed to the reduction of 50% of water, was its first innovation project. The mass production of this solution brought a tremendous environmental and economic benefit at a world scale. To this invention, many other simple solutions joined, that have transformed our vision and experience of the bathroom space. OLI is one of the Portuguese companies with the most patents registered in Europe: 38 active patents at the moment.



G R O W I N G

DESIGN AND AUTHOR IDENTITY

From inlet valves that assure a quick and silent filling of the tank, to resistant frames structures that allow the user to adjust the height of the sanitary, to the flush plates designed by world- renowned architects, OLI as built a valuable portfolio, where innovative cisterns assume a natural protagonism. With resource to patent technology and to the high standards of quality in the manufacturing, the brand presents products to apply in projects of new construction, rehabilitation, renovation that stand out for its contemporary design and usage of nobles' materials and functionality. In the last years, OLI has invested more in its relation with the Architectural field, building new partnerships with names such as Álvaro Siza Viera (Pritzker Award 1992), Eduardo Souto de Moura (Pritzker Award 2011), Romano Aldolini and Alessio Pinto, that has already won the most prestigious awards in the field of design. OLI is one of the Portuguese companies with the most patents registered in Europe: 38 active patents at the moment. This strategy of value creation, of concentration on the culture of knowledge and innovation, has been recognised with many awards - Millennium Horizontes, Archiproducts Design Award, Good Design, Iconic Awards, Design Plus, Red Dot Design Award and IF Design.

OLI thus fulfils its vision: to be a company of excellence recognized for innovation and value creation for all.



OLI IN NUMBERS

Turnover
75.5 million euros

PRODUCTION VOLUME

2 million cisterns
7 million flushing mechanisms
144 million injected components

INTERNATIONALISATION

80 markets

COMMERCIAL BRANCHES

4 (Spain, Germany, Italy and Russia)

PATENTS

32

EMPLOYEES

473



152954
GLOBE
Gold plated

883134
OLI74
Mechanic S90 Sanitarblock Nano

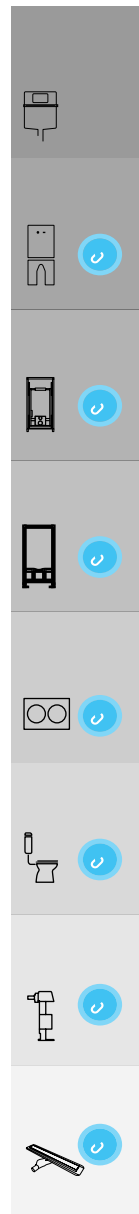
OLI120 PLUS	18
OLI74 PLUS	32
EXPERT PLUS	46
QUADRA PLUS	54
OLI80	60

IN-WALL CISTERNS SYSTEMS

OLI has reached a high level of product performance by consistently investing in research and development. The purpose is to guarantee in-wall cisterns as a bathroom solution for solid wall or drywall, as well as applications like thin walls, corner toilets or even toilets under windows. OLI ensures high quality standards during the tests of its in-wall cisterns for a 400kg load and helps to transform the bathroom into a place of comfort and well-being. The space saved and simplified bathroom cleaning are also advantages of the in-wall cisterns installation.

IN-WALL CISTERNS AS A BATHROOM SOLUTION FOR SOLID WALL OR DRYWALL

- | | | |
|-----------------------------------|----------------------|---------------------------------|
| Solid wall, floor standing toilet | Capacitive sensor | Front or top actuation |
| Solid wall, wall-hung toilet | AC power-mains | Supports up to 400kg |
| Drywall, wall-hung toilet | Electronic actuation | Saves up to 9l of water per day |
| Drywall, floor standing toilet | Mechanic actuation | SHT - Shower Toilet |
| Squat pan | Pneumatic actuation | One man assembly |
| 2 inlet valves | Seawater | Stop Fire |
| Small spaces | OLIpure System | Economic |
| Happy Air | 126mm thick | 144mm thick |
| 80mm thick | 128mm thick | 180mm thick |
| 90mm thick | | |





The HAPPY AIR PLUS system is the new solution for renewing the air in windowless bathrooms.

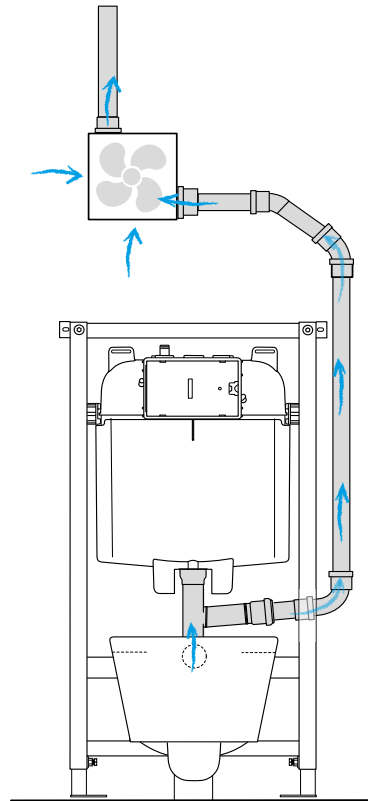
154962
SLIM
Gold Plated



HAPPY AIR

HAPPY AIR is a system for air renewal. The high-power and low-noise extractor eliminates odours directly from the toilet and steam in the bathroom via an elegant and discreet plate, installed in the wall or on the ceiling. This system removes odours in 30% from toilet and 70% from the bathroom.

This system is prepared to be connected to a high-power extractor (according one or other version: 80 or 100m³/h) which, thanks to its double vacuum function, allows unpleasant odours to be extracted directly from the toilet through the drain pipe and the condensation to be extracted through an elegant and discreet plate.



MAINTENANCE

The extractor has a melanin filter, which in addition to filtering condensation, has greater durability, since it does not need to be cleaned as often as normal filters and contributes to noise reduction (<38 dB(A)).

KIT HAPPY AIR KIT HAPPY AIR PLUS

To adjust an OLI74 Plus or OLI120 Plus in-wall cisterns, use the Kit Happy Air or Happy Air Plus. This kits include the extractor and the Happy Air flush pipe curve.



HAPPY AIR PLUS 100m³/h

In addition, the version Happy Air Plus has a sensor that allows to adjust the level of humidity at which the fan will initiate, a LED light that helps in case of insufficient light in the bathroom and a timer to adjust the operating time after the user switches the switch off (2-20 minutes).

HAPPY AIR 80m³/h

Happy Air is a version prepared to be connected to a high-power extractor

HAPPY AIR FLUSH PIPE CURVE

The flush pipe curve, adjustable in depth, is the means that allows to extract the bad odours from the toilet.



Worried about the traditional toilet cleaner that accumulate germs in the toilet?
OLpure is the solution!



SAFE AND INNOVATIVE SYSTEM

Doesn't contaminate the water or any component inside the cistern - closed system.



USER FRIENDLY

Easy and quick refill.



CONTROLLED DOSING

Releases only 2ml per flush – long lasting.



AMBIWAVE*

450ml dosage.



OLIpure®

OLIPURE

OLIPURE IS A SELF-CONTAINED SYSTEM, PLACED INSIDE THE CISTERN, WHERE THE CLEANING LIQUID IS STORED. ON EACH FLUSH THE DISINFECTANT IS DISPENSED INTO THE TOILET, IN A CONTROL DOSAGE.

This reduces the risk of the disinfectant damaging components in the cistern. It is compatible with existing WC liquid disinfectants on the market and has a storage capacity of 450ml.

OLIpure is in OLI74, EXPERT and OLI120 range and it allows also to upgrade an existing OLI cistern already installed.



This reduces the risk of the disinfectant damaging components in the cistern. It is compatible with existing WC liquid disinfectants on the market and has a storage capacity of 450ml.

Ambiwave is OLI disinfectant liquid, included in OLIpure kit.

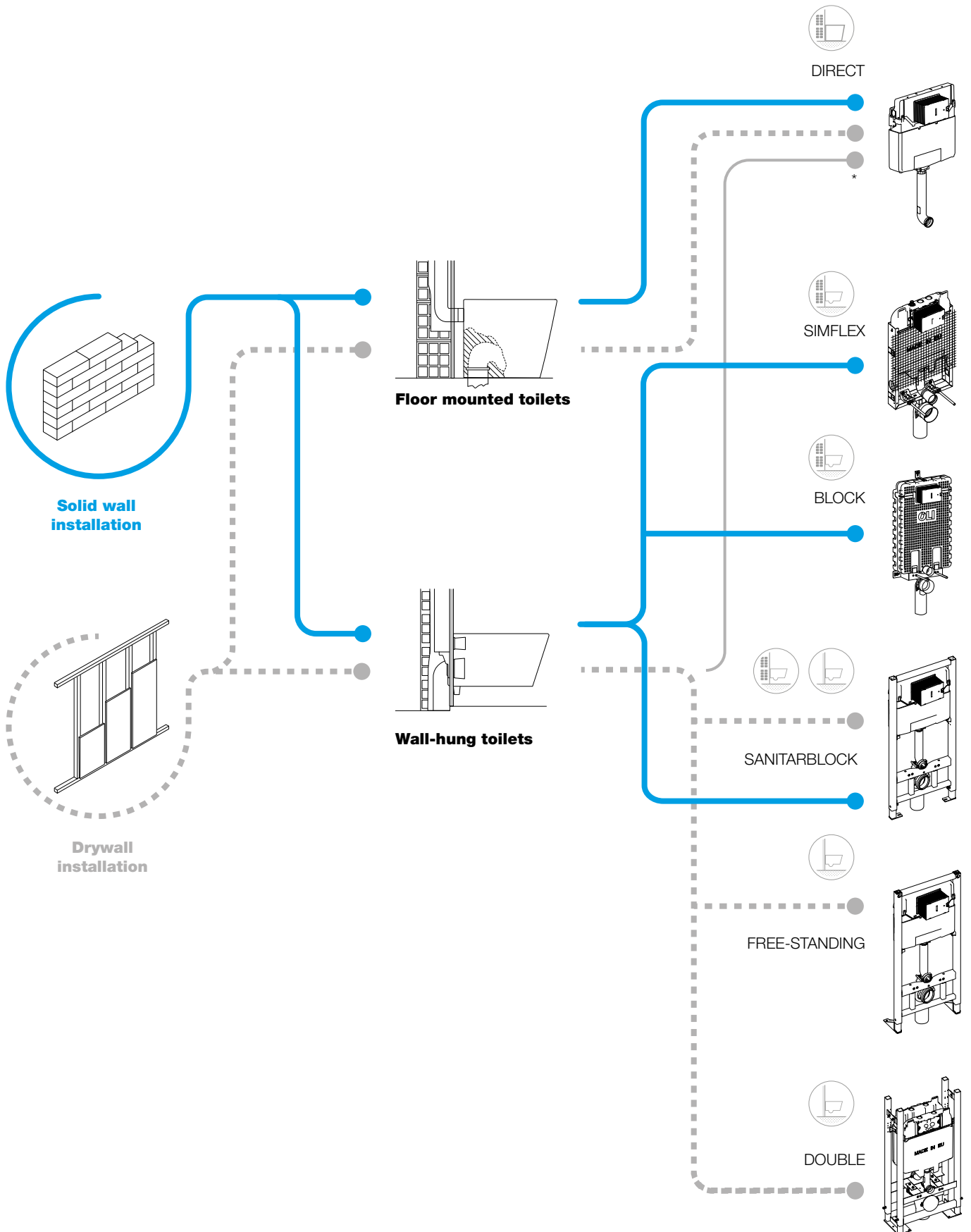
Just fill the tank with Ambiwave liquid or another toilet liquid on the market*, to keep the toilet clean and with a fresh atmosphere in the bathroom.



*The use of chlorine-free liquid detergents with a viscosity between 150 and 300 cP** (at 20°C) is recommended.
 **cP means "centipoise" and it is a unit of measure of the viscosity.



IN-WALL CISTERNS



OLI120

OLI74

OLI80

EXPERT

QUADRA



This wall installation system should be selected when installing the cistern in a solid wall that will be brick-lined with a floor mounted toilet. For drywall with floor toilet see kit 216640 OLI74.

(126mm) thickness	(80mm) thickness	(80mm) thickness	(150mm) thickness	(187mm) thickness

This wall installation system should be selected when installing the cistern in a solid wall that will be brick lined with a wall-hung toilet.

				-
	(80mm) thickness	(80mm) thickness	(150mm) thickness	

This installation system should be selected when installing the cistern in a solid wall that will be brick lined with a wall-hung toilet. The full EPS coating allows quick and easy installation.

	-	-	-	-
(144mm) thickness				

The Sanitarblock installation system is suitable for applications in drywall with load bearing walls**. The main advantage of the system is the easiness and speed of safely installing a cistern with a wall-hung toilet.

(126mm) thickness	(90mm) thickness	(120mm) thickness	(150mm) thickness	(187mm) thickness

The Sanitarblock free-standing installation system is suitable for applications in drywall with load bearing walls**. The main advantage of the system is the easiness and speed of safely installing a cistern with a wall-hung toilet.

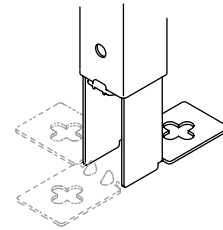
		-		
(180mm) thickness	(180mm) thickness		(180mm) thickness	(187mm) thickness

The Sanitarblock free-standing double installation system is ideal for drywall application with a wall-hung toilet. This system includes one frame with two cisterns which allows the application of a wall-hung toilet "back-to-back". This makes the Sanitarblock free-standing double ideal for commercial spaces.

		-	-	-
(240mm) thickness	(240mm) thickness			



OLI120 PLUS



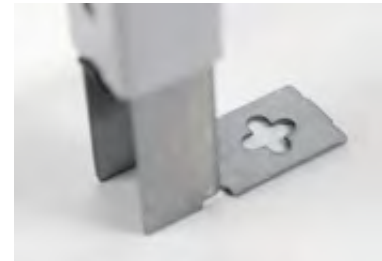
AUTO-LEVELER

Assembly can be done by only one person, allowing for a fast and precise levelling of the frame.



BLOCKADE

According to the scenario of construction site, the fixation feet have 3 positions and a metal block to adjust to the intended position.



FIXATION FEET

The fixation feet have a cross drilled to increase the margin of the holes, facilitating the installation.



FAST-FIT

Fast-Fit is a system that provides a fixation to the load bearing walls and allows for a fast and precise levelling of the frame.

Compatibility
Wide range of flush plates

	<p>Moon</p>	<p>Glassy</p>		<p>Electra III</p>	<p>eLine</p>		
	<p>Glam</p>	<p>Metal</p>	<p>Ria</p>	<p>Plain</p>	<p>Narrow</p>		
	<p>Globe</p>	<p>Slim</p>	<p>Less is More</p>				
	<p>Blink</p>	<p>Trumpet</p>	<p>Oceania</p>	<p>Easy Dual</p>	<p>Salina</p>	<p>Karisma</p>	<p>Sm15</p>

OLI120 PLUS



MAINTENANCE
Transparent protection plate.
Tool free maintenance



FAST-FIT SYSTEM
3 easy steps



PLUS
Saves up to 9l of water per day

SILENT VALVE
CLASS 1 CERTIFIED



SHOWER TOILET
Prepared for shower toilet installation



FRAME TESTED FOR
A 400KG LOAD

OUTLET BEND
Easy and flexible depth adjustment



HEIGHT ADJUSTABLE
in 200mm

STOP VALVE
Can be disassembly from the inside



HAPPY AIR
Fresh solution for air renewal

FLUSH PLATE
Wide range of flush plates and actuations: mechanical, pneumatic, electronic and No-Touch

POLYPROPYLENE (PP)
Highly resistant cistern inalterable to thermal stress.



FLUSH VOLUME
Dual flush: 6/3L. Adjustable to 4/2 or 7/3L



OLIPURE
Cleans and sanitizes the toilet

INSTALLATION SYSTEM



Solid wall-brick lined, and all floor toilets



Solid wall-brick lined, and all wall-hung toilets

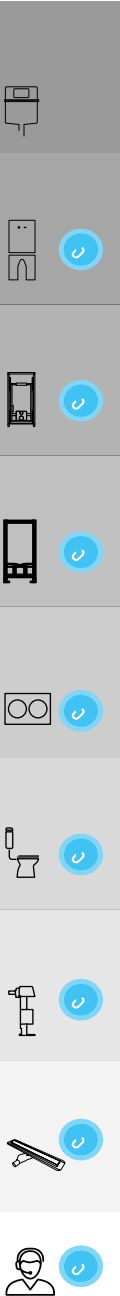


Drywall, and all wall-hung toilets



ONE MAN ASSEMBLY

EN 14055 CE MARKING



OLI120 PLUS

Complete range



kiwa



WRAS



GENERAL FEATURES FOR ALL VERSIONS

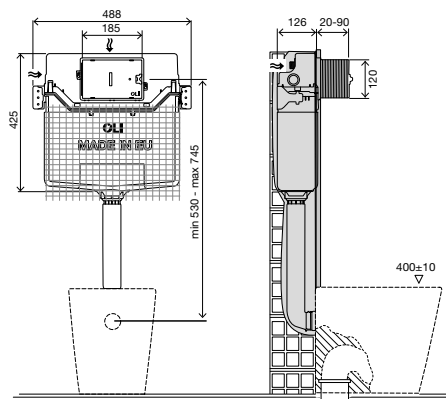
- Dual flush 6/3L in-wall cistern (adjustable to 4/2 or 7/3L);
- Mechanical, Pneumatic, Electronic, Hydroboost and AC versions available;
- Polypropylene (PP) cistern highly resistant and inalterable to thermal stress;
- Upon request some versions compliant with: NF/KIWA/Belgaqua/WRAS/KIWAUK certifications;
- EN 14055 CE Marking;
- Compatible with all floor and wall-hung mounted toilets;
- Solid wall installation.

INCLUDED IN ALL VERSIONS

- Wall fixing kit;
- G 1/2" stop valve;
- Inlet and outlet toilet connection;
- Toilet fixing material (when applicable);
- Outlet bend and Ø90/110 adaptor (when applicable).

OLI120 PLUS

Direct



SPECIFIC FEATURES

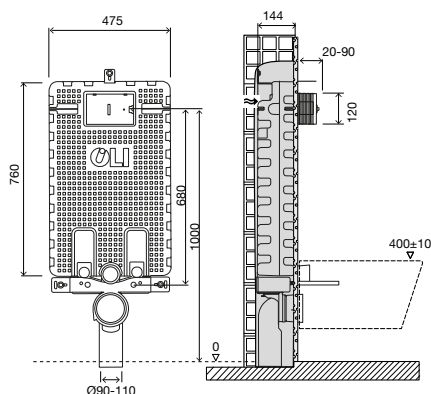
- Compatible with all floor toilets;
- Solid wall installation;
- 126 mm thick.



- cod. **885049** Mechanic Nano
- cod. **099941** Mechanic
- cod. **153964** Pneumatic
- cod. **880777** Mechanic OLIpure

OLI120 PLUS

Block



SPECIFIC FEATURES

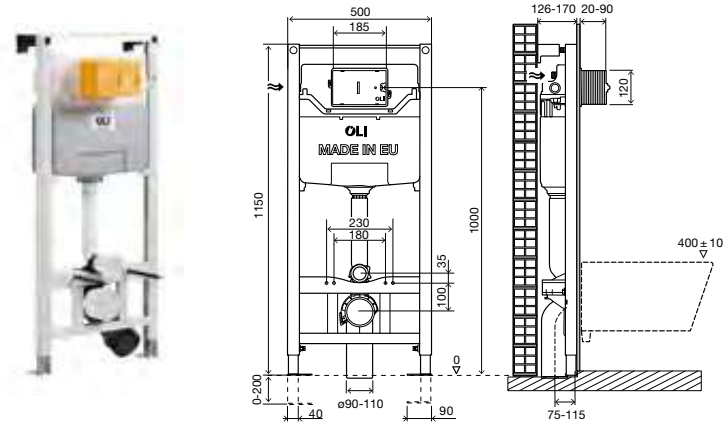
- Compatible with all wall-hung toilets;
- Solid wall installation;
- Robust EPS coating that completely encloses the cistern and allows for faster installation;
- 144mm thick;
- Better sound isolation.



- cod. **885050** Mechanic Block Nano
- cod. **151339** Mechanic Block
- cod. **885053** Pneumatic Block Nano
- cod. **154076** Pneumatic Block
- cod. **880779** Mechanic OLIpure Block

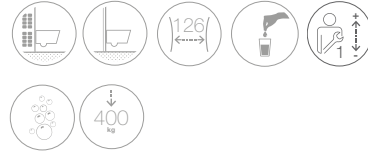
OLI120 PLUS

Sanitarblock



SPECIFIC FEATURES

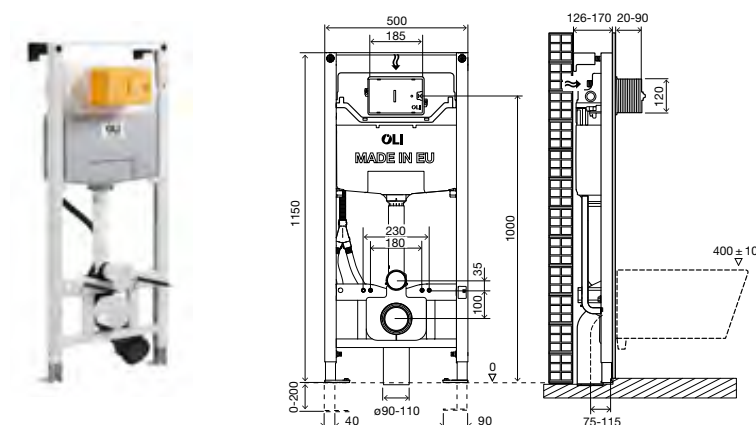
- Wall hung toilets up to 660mm long;
- Solid wall or drywall installation;
- Frame tested for a 400kg load;
- Depth adjustable outlet bend;
- Easy and quick installation with fast fit system;
- Height adjustable from 0 to 200mm;
- One man assembly;
- 126mm thick.



- cod. **885052** Mechanic Sanitarblock Nano
- cod. **177306** Pneumatic Sanitarblock
- cod. **099949** Mechanic Sanitarblock
- cod. **885055** Pneumatic Sanitarblock Nano
- cod. **880780** Mechanic OLIpure Sanitarblock
- cod. **878621** Cap AC Sanitarblock
- cod. **878846** Cap Hydroboost Sanitarblock
- cod. **177305** Electronic Sanitarblock

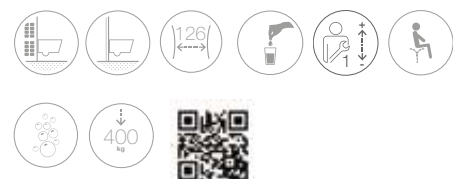
OLI120 PLUS SHT

Sanitarblock



SPECIFIC FEATURES

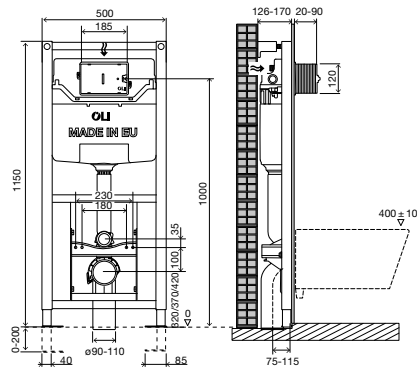
- Wall hung toilets up to 660mm long;
- Solid wall or drywall installation;
- Frame tested for a 400kg load;
- Depth adjustable outlet bend;
- Easy and quick installation with fast fit system;
- Height adjustable from 0 to 200mm;
- One man assembly;
- 126mm thick;
- Compatible with shower toilet systems.



- cod. **135980** Mechanic Sanitarblock SHT

OLI120 PLUS

Height Adjustable Sanitarblock



SPECIFIC FEATURES

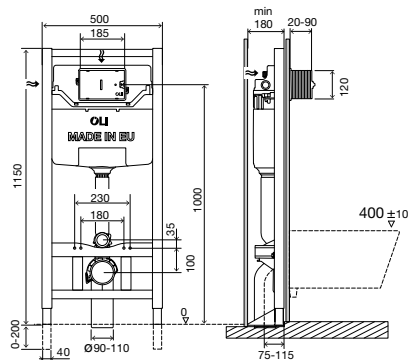
- Compatible with all wall-hung toilets;
- Solid wall or drywall installation;
- Frame tested for a 400kg load;
- Depth adjustable outlet bend;
- Allows the height adjustment of the toilet fixation in three different positions before closed the wall, between 320, 370, 420mm;
- Easy and quick installation with fast fit system;
- Height adjustable from 0 to 200mm;
- 126mm thick.



cod. **154083** Mechanic height adjustable Sanitarblock

OLI120 PLUS

Free-standing



SPECIFIC FEATURES

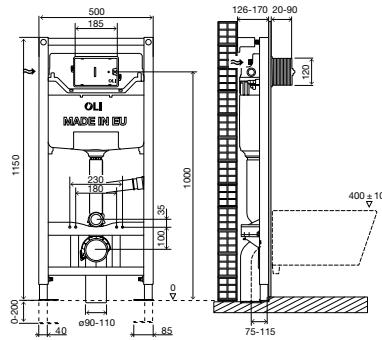
- Compatible with all wall-hung toilets; Drywall installation;
- Depth adjustable outlet bend;
- Frame tested for a 400kg load;
- Height adjustable from 0 to 200mm;
- 180mm thick.



cod. **099952** Mechanic Free-standing
 cod. **880781** Mechanic OLIpure Free-standing
 cod. **099951** Pneumatic Free-standing

OLI120 PLUS HAPPY AIR

Sanitarblock



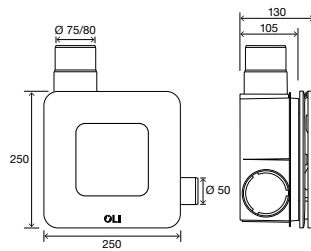
SPECIFIC FEATURES

- Wall hung toilets up to 660mm long;
- Flush pipe for happy air system;
- Solid wall or drywall installation;
- Frame tested for a 400kg load;
- Depth adjustable outlet bend;
- Easy and quick installation with fast fit system;
- Height adjustable from 0 to 200mm;
- One man assembly;
- 126mm thick.



cod. **883016** Mechanic Sanitarblock Happy air

HAPPY AIR



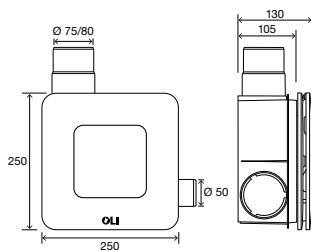
SPECIFIC FEATURES

- High extraction capacity (80m³/h)
- Removes 30% of odours
- Removes 70% of condensation
- Melanine filter – noise reduction;
- Turns off as soon as the client turns off the switch;
- 220V/50Hz;
- Capacity 65m³/h- 22W 31dB(A);
- Capacity 80m³/h- 29W 35dB(A).



cod. **887583**

HAPPY AIR PLUS



SPECIFIC FEATURES

- High extraction capacity (100m³/h)
- Removes 30% of odours
- Removes 70% of condensation
- Melanine filter – noise reduction;
- 960 Lumen LED that can be turn on independently of the extractor;
- Humidity sensor that can be set to automatically turn on;
- Possible to adjust the operating time after the user switches the switch off (2min-20min);
- Capacity 100m³/h- 12W 34dB(A);
- Capacity 80m³/h- 20W 38dB(A).

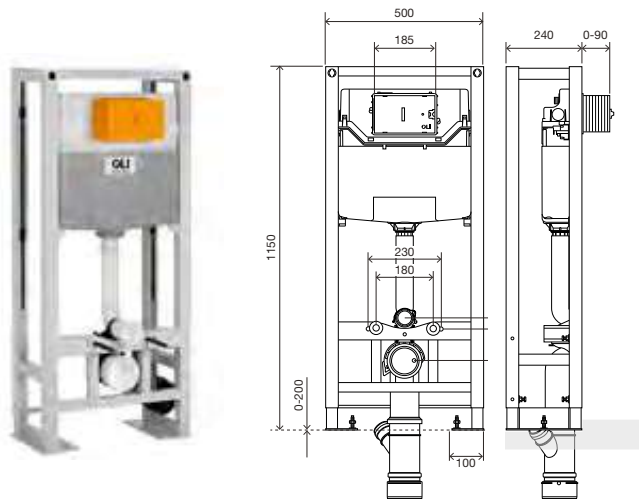


cod. **887588**



OLI120 DOUBLE FRAME

WC | URINAL/WASHBASIN



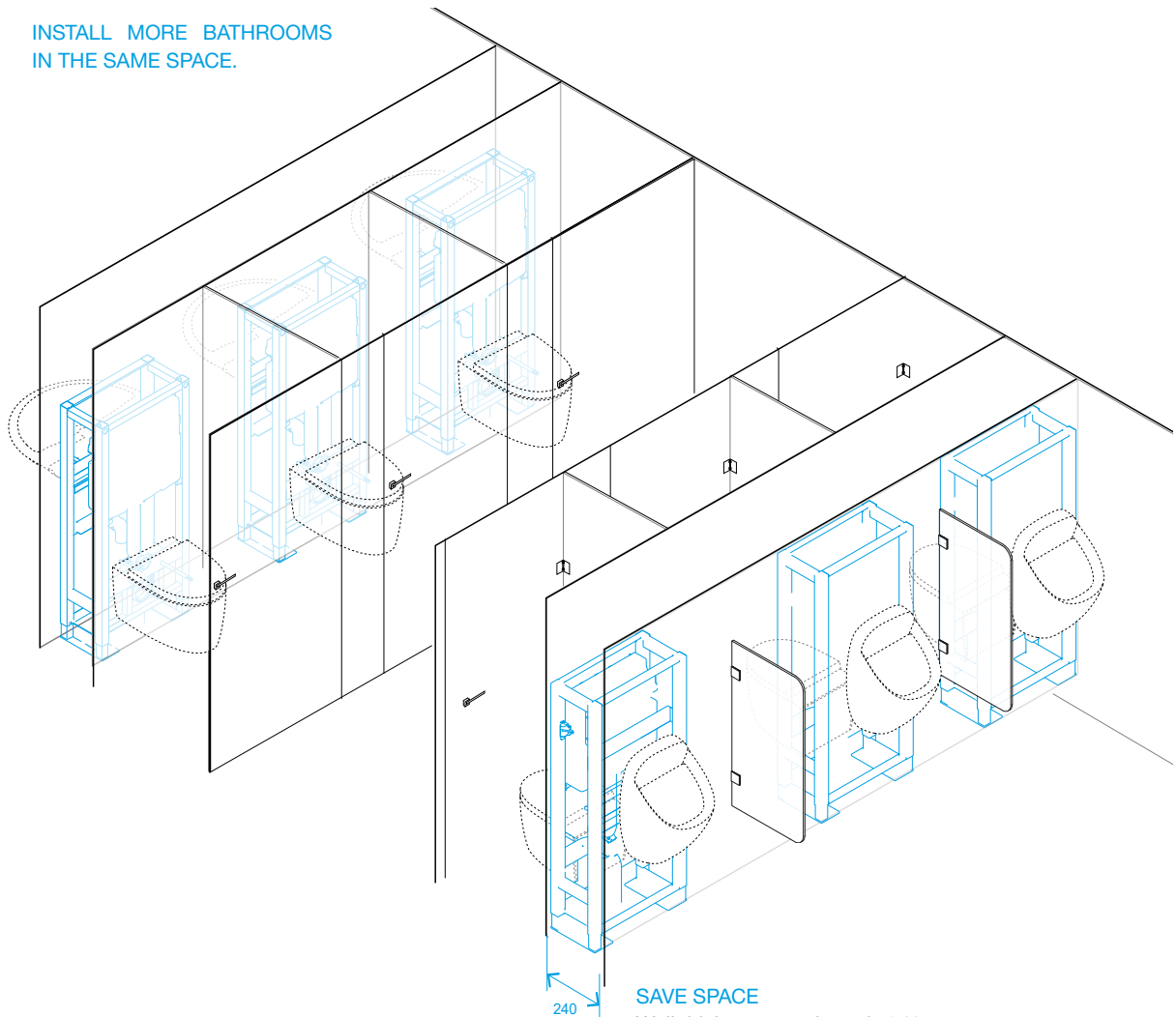
SPECIFIC FEATURES

- Frame with cistern and urinal or washbasin installed back-to-back;
- Freestanding double frame;
- Wall hung toilets up to 660mm long
- Drywall installation;
- Frame tested for a 400kg load;
- Height adjustable from 0 to 200mm;
- 240 mm thick.



cod. **882618**

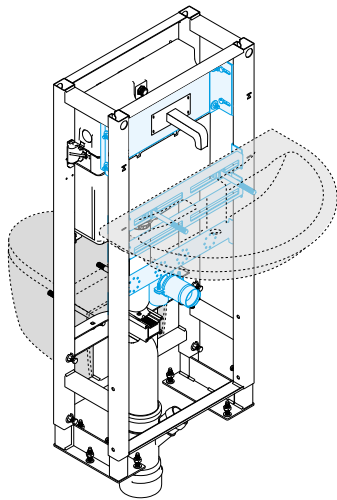
INSTALL MORE BATHROOMS
IN THE SAME SPACE.



Independently of the bathroom, this product allows to place in one side a toilet and on the other side, a urinal or a washbasin, according to the acquisition of the kits and by sharing the same waste pipe connection, thanks to the evacuation pipe in Y shape. It is prepared to be fix to the floor suitable for plasterboard wall in technical frame.

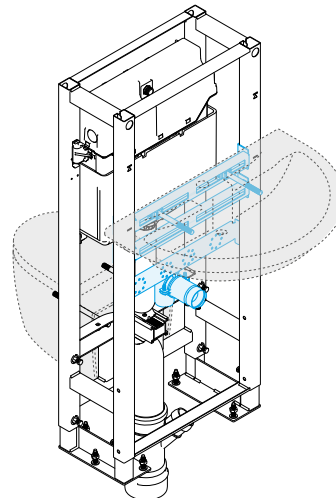
TOILET VS WASHBASIN WITH WALL MOUNTED FAUCET

Dual function on a single frame: one toilet in one side of the wall and a washbasin on the other side. This frame is compatible with all wall hung washbasins and with the acquisition of a kit, adaptable to wall taps. See page 29.



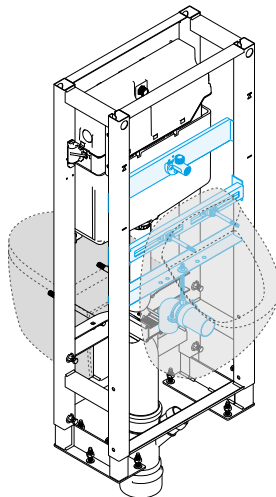
TOILET VS WASHBASIN

Dual function on a single frame: one toilet in one side of the wall and a washbasin on the other side. This frame is compatible with all wall hung washbasins and adaptable to wall taps with the acquisition on a kit. See page 29.



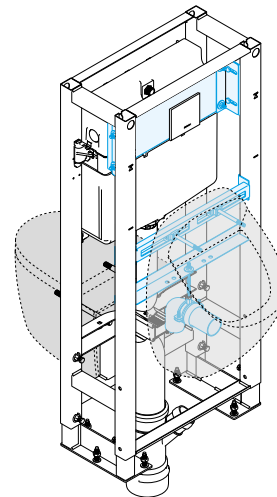
TOILET VS URINAL WITH FLUXOMETER

Dual function on a single frame: one toilet in one side of the wall and a urinal on the other side. The optimization of the bathroom space in a shopping center, a airport or a hospital is guaranteed with the installation of this product. The frame is compatible with all wall hung urinals, and adaptable to fluxometers with the acquisition of a kit. See page 29.



TOILET VS URINAL WITH FLUSH PLATE

Dual function on a single frame: one toilet in one side of the wall and a urinal on the other side. The optimization of the bathroom space in a shopping center, a airport or a hospital is guaranteed with the installation of this product. The frame is compatible with all wall hung urinals, and adaptable to flush plates with the acquisition of a kit. See page 29.



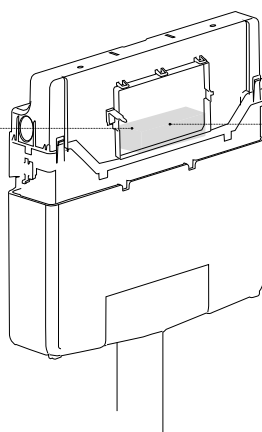
ACCESSORIES IN-WALL CISTERNS - OLI120 PLUS



PNEUMATIC CONVERSION KIT

- 2 pneumatic pipes with 350mm;
- Outlet valve pneumatic anchors;
- Pneumatic bellows.

cod. **154084**



AC CONVERSION KIT

- Pre-installation of the electric AC connection is needed;
- Transformer is supplied.

cod. **878293**

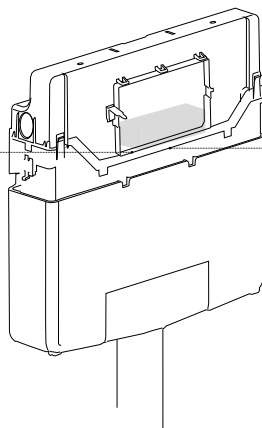


HYDROBOOST CONVERSION KIT

- Uses the energy of water in motion;
- No need to connect to the power grid;
- Suitable for intensive use.



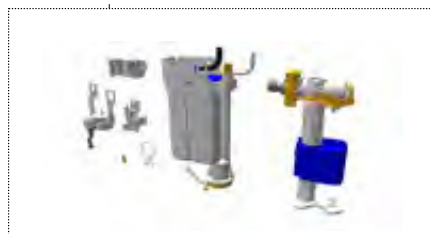
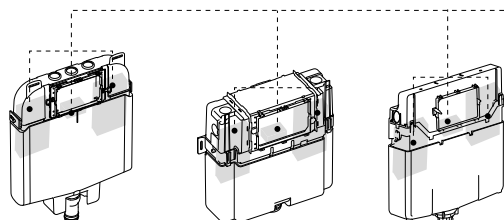
cod. **878294**



ELECTRONIC CONVERSION KIT

- Pre-installation of the electric AC connection is needed;
- Transformer is not supplied;
- Compatible: ELECTRA III flush plate.

cod. **154085**



OLIPURE KIT

- Compatible with Glam and Narrow flush plates.

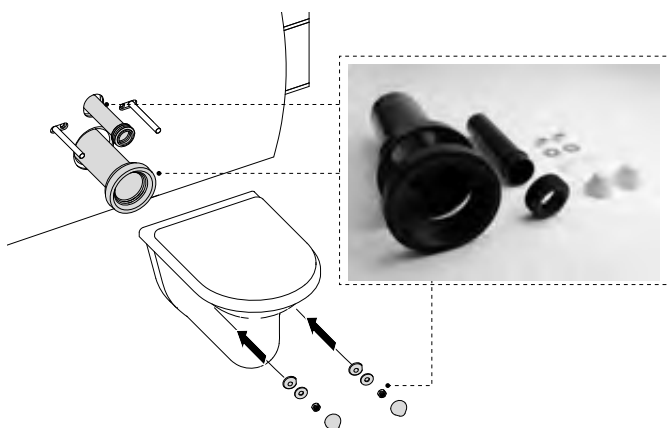
cod. **882129**



AMBIWAVE

- Liquid disinfectant for toilet;
- 450ml dosage;
- 12 units per pack.

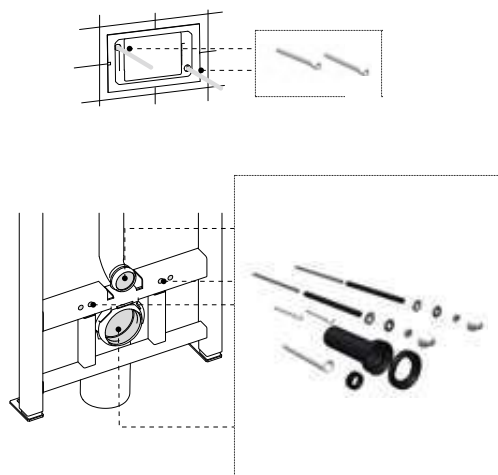
cod. **879955**



TOILET CONNECTION PIPE

- Outlet pipe Ø90xØ125x250;
- Rubber seal for outlet pipe Ø125;
- Connection WC pipe Ø45x180;
- Toilet fixing material.

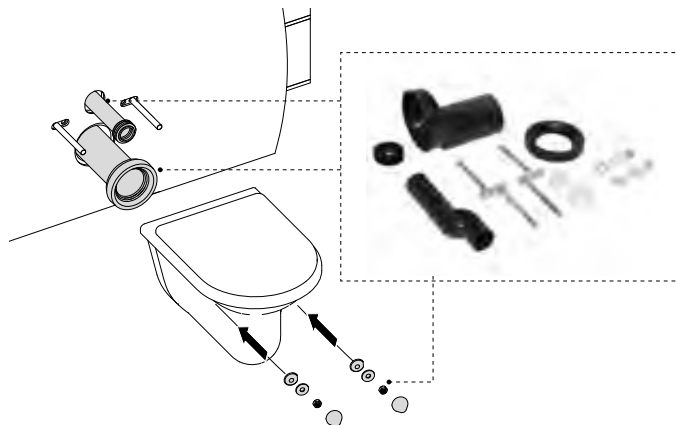
cod. **622501**



LONGER SLEEVES FOR WALL HUNG TOILETS

- Outlet pipe Ø90xØ125x300;
- Rubber seal for outlet pipe Ø125;
- Connection WC pipe Ø45x280;
- Rubber seal for WC pipe Ø45;
- M12x300 rods for wall-hung toilets fixation;
- Counter plate fixation screws;
- Fixing toilet accessories.

cod. **011229**



ECCENTRIC SET CONNECTION 25MM

- Accessory sets to enable the correction of incorrect applications.
- Toilet connection Ø90;
- Connection WC pipe Ø45x180.

cod. **885108**



HAPPY AIR KIT PLUS

- Transform any OLI120 PLUS in-wall cisterns with this KIT;
- 1 Outlet pipe connection;
- 1 Happy Air Plus fan.

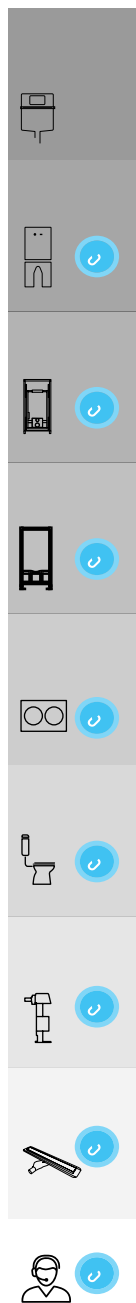
cod. **884341**



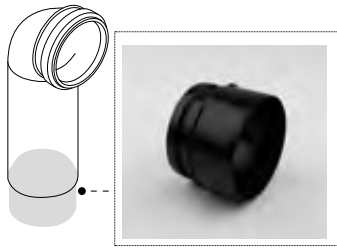
HAPPY AIR KIT

- Transform any OLI120 PLUS in-wall cisterns with this KIT;
- 1 Outlet pipe connection;
- 1 Happy Air fan.

cod. **884343**



ACCESSORIES IN-WALL CISTERNS - OLI120 PLUS



OUTLET BEND ADAPTOR Ø90/110

- Polypropylene (PP) material;
- Adapter to match with Ø90/110.

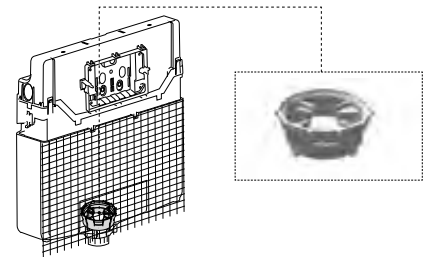
cod. **086360**



BYPASS CONNECTOR

- Connector between the flush pipe and the outlet bend;
- The flushing can be tested before the toilet is installed.

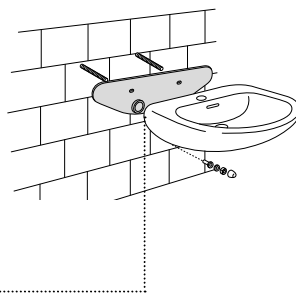
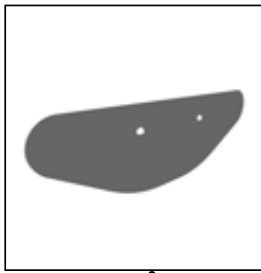
cod. **885233**



ADJUSTABLE FLOW RATE REDUCER

- OLI120 in-wall cistern.

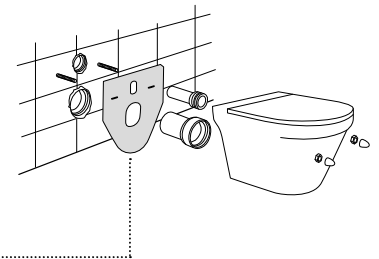
cod. **883088**



ACCOUSTIC INSULATION WASHBASIN

- Acoustic insulation in expanded polyethylene;
- Avoids direct contact between the washbasin and tile.

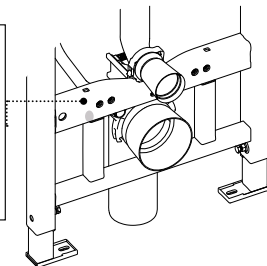
cod. **620072**



ACCOUSTIC INSULATION FOR WALL-HUNG TOILET OR BIDET

- Acoustic insulation in expanded polyethylene;
- Avoids direct contact between the sanitaryware and the tile.

cod. **620071**



SHOWER TOILET CONNECTION KIT

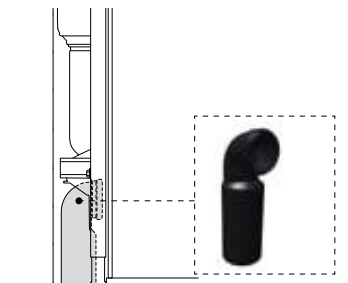
- Allows the connection between the cistern and the shower toilet;
- 1 flexible hose 1200mm;
- 2 flexible hose $\frac{3}{8}$ " x $\frac{3}{8}$ " 160mm;
- 1 stop valve $\frac{1}{2}$ " x $\frac{1}{2}$ ";
- 1 brass connection (T).

cod. **191887**



FLOOR SUPPORT SYSTEM

cod. **886820**



WC OUTLET BEND

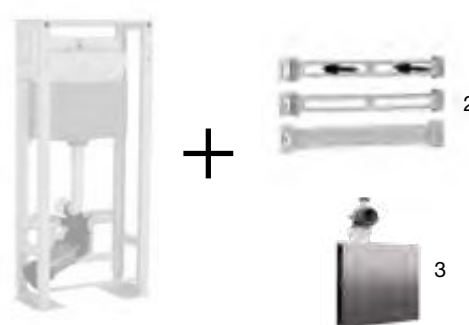
- WC outlet bend for wall-hung toilets;
- L:300mm;
- Exit Ø110;
- Toilet connection Ø90.

cod. **622002**

TOILET VS WAHSBASIN WITH WALL MOUNTED FAUCET



TOILET VS WASHBASIN



TOILET VS URINAL WITH FLUXOMETER



TOILET VS URINAL WITH FLUSH PLATE



WALL TAP/CONCEALED FLUSH VALVE

- Compatible with all taps and urinal;
- Concealed flush;
- Adjustable mounting wood panel;
- Fixing material.

cod. **881858**



WASHBASIN KIT FOR DOUBLE FRAME

- Easy and quick installiion;
- Washbasin fixing material;
- Compatible with wall-hung washbasins;
- Outlet bend Ø40 - 32/50mm.

cod. **882613**



CONCEALED SIPHON

- Compatible for double frame with washbasin kit;
- Outlet bend Ø32-32mm;
- Wall plate can be customized.

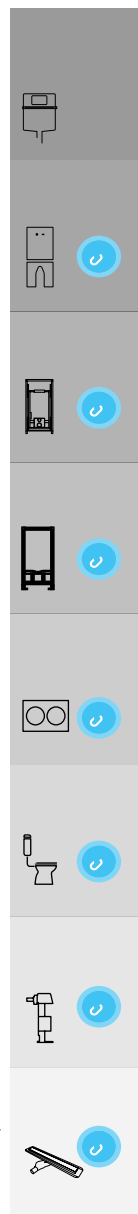
cod. **883081**



URINAL KIT FOR DOUBLE FRAME

- Easy and quick installiion;
- Urinal fixing material;
- Outlet bend Ø40 - 32/50mm
- G ½" fitting for water connection.

cod. **882612**



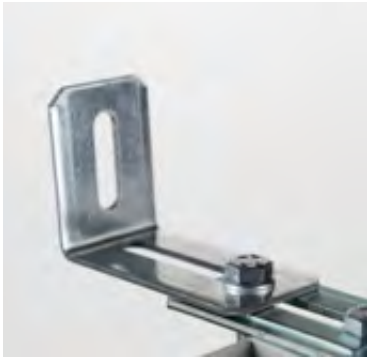
PART NUMBER GUIDE - OLI120 PLUS

	 Mechanic	 OLIpure	 Pneumatic	 Electronic	 Hydroboost	 AC	 HAPPY AIR
OLI120 PLUS Direct 	Azor Plus 099941 Nano Plus 885049	880777	Azor Plus 153964	-	-	-	-
OLI120 PLUS Block 	Azor Plus 151339 Nano Plus 885050	880779	Azor Plus 154076 Nano Plus 885053	-	-	-	-
OLI120 PLUS Sanitarblock 	Azor Plus 099949 Nano Plus 885052	880780	Azor Plus 177306 Nano Plus 885055	177305	878846	878621	883016 Fan 887583 Fan Plus 887588
OLI120 PLUS Height Adjustable Sanitarblock 	154083	-	-	-	-	-	-
OLI120 PLUS Sanitarblock SHT 	135980	-	-	-	-	-	-
OLI120 PLUS Free-standing 	099952	880781	099951	-	-	-	-
OLI120 PLUS Double Frame 	882618	-	-	-	-	-	-

WxDxH	Weight	Qt.	Multiple Box Dim	Weight	Qty per Pallet	Pallet Height	Pallet Width	Pallet Length	Weight
670x150x460	3.8	1	-	4	45	1.280	0.820	2.460	189.0
486x161x1070	7.1	1	-	8	26	1.200	1.000	2.210	197.9
1180x140x530	13.4	1	-	15	20	1.200	0.840	2.350	293.0
1180x140x530	16.2	1	-	18	20	1.200	0.800	2.480	369.5
1180x140x530	13.3	1	-	15	20	1.200	0.800	2.350	291.7
1180x140x530	16.0	1	-	17	20	1.200	0.800	2.350	344.6
1176x256x545	23.2	1	-	27	6	1.200	0.800	1.250	160.6

A vertical sidebar on the right side of the page containing several icons. From top to bottom: a cistern icon, a cistern icon with a refresh symbol, a cistern icon with a refresh symbol, a cistern icon with a refresh symbol, a cistern icon with a refresh symbol, a cistern icon with a refresh symbol, a cistern icon with a refresh symbol, a pencil icon with a refresh symbol, and a person icon with a refresh symbol.

OLI74 PLUS



ADJUSTABLE METAL SUPPORT

The metal links are fixating supports to rely confidence during the installation of the cistern. Besides ensuring a higher resistance on the fixation, it increase the margin of adjustment according to the wall thickness.



FIXATION FEET

The fixation feet are adjustable in 150mm, allowing an easy installation of the cistern. For a regulation up to 300mm, OLI as a kit to help. See page 43.



ADJUSTABLE WASTE PIPE CURVE

Polypropylene curve, that connects the toilet to the waste pipe is adjustable in 45° and also adjustable in depth to match the construction site waste pipe.

Compatibility

Wide range of flush plates

	Moon 	Glassy 		Electra III 	eLine 		
	Glam 	Metal 	Ria 	Plain 	Ino-X 	Oceania 	Narrow
	Globe 	Slim 	Less is More 				
	Blink 	Trumpet 	Oceania 	Easy Dual 	Salina 	Karisma 	Sm15

OLI74 PLUS



MAINTENANCE
Offers first set of spare parts (flushing mechanism rubber and seal)



PLUS
Saves up to 9l of water per day.

SILENT VALVE
CLASS 1 CERTIFIED
Classe 1



2 INLET VALVES
Allows you to connect the cistern to a second water source.



90MM
Minimum thickness

OUTLET BEND
Fine adjustment of the outlet bend



HEIGHT ADJUSTABLE
in 150mm



FLUSH PLATE
Wide range of flush plates and actuations: mechanical, pneumatic, electronic and no-touch



VOLUME DE DESCARGA
Dual flush: 6/3 adjustable to 4.5L/3L



HAPPY AIR
Fresh solution for air renewal



FRAME TESTED FOR A 400KG LOAD



OLIPURE
Cleans and sanitizes the toilet



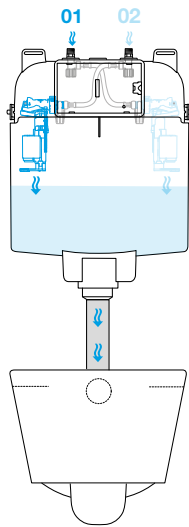


01

02

MADE IN EU

OLI74 PLUS 2 INLET VALVES



SAVE 100%
of drinking water on toilet flushing.
Exclusive connection to a second
source of water ^(a,b)

SAVE 50%
of drinking water on toilet flushing.
Connection to mains water +
Connection to a second water source ^(a,b)

This flushing cistern is distinguished by having two water inlet valves in its architecture.

01 One for drinking water from the mains

02 Another for non-potable water designed for rainwater but applicable to other waters (boreholes water or water wells) ensuring that only clear and filtered water is used ^(b).

In this way it's possible to reuse rainwater for toilet flushing, saving drinking water that is essential for human consumption. It allows a more efficient use of the water resource and a saving in the water bill.

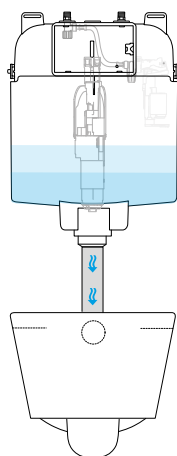


- cod. **877961** Mechanic 2 inlet valves
- cod. **878929** Mechanic Simflex 2 inlet valves
- cod. **885057** Mechanic S90 Sanitarblock 2 inlet valves Nano
- cod. **880799** Mechanic S90 Sanitarblock 2 inlet valves

^(a) The use of an internal circuit for the use of rainwater must comply with legal regulations on this type of use (legislation applicable to the installation location). The same applies to water coming from other sources such as boreholes whose legal framework must be respected. The correct and efficient operation of the tank requires the water used to be clean and filtered.

^(b) See the technical data sheet for the two inlet valves cistern for further specifications.

OLI74 PLUS 4/2 L



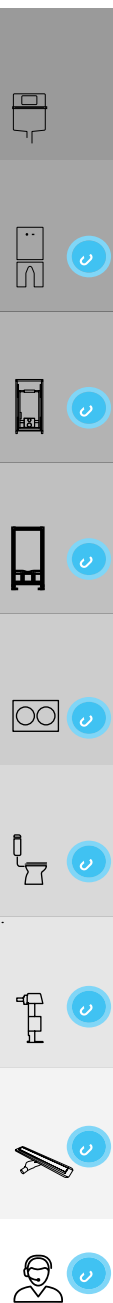
Save water in both flushes
(full and half flush).

Save 2L in each full flush and
1L in each half flush.



- cod. **601603** Mechanic 4/2l
- cod. **216251** Mechanic 4/2l Simflex
- cod. **885056** Mechanic 4/2l S90 Sanitarblock Nano
- cod. **216248** Mechanic 4/2l S90 Sanitarblock

The combination of a 4-litre (full flush) and 2-litre (half flush) flush tank with an efficient and suitable toilet, results in immediate water savings.



OLI74 PLUS

Complete range



GENERAL FEATURES FOR ALL VERSIONS

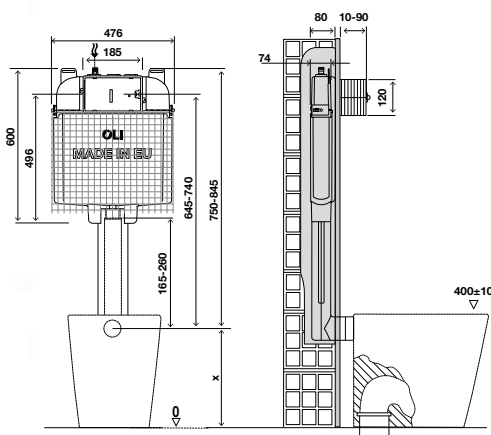
- Dual flush 6/3L in-wall cistern (adjustable to 4.5/3L);
- Mechanical, Pneumatic, Electronic, Hydroboost and AC versions available;
- Polypropylene (PP) cistern highly resistant and inalterable to thermal stress;
- Upon request some versions compliant with: SABS/SAI-WATERMARK/WRAS/KIWA/UPC/SASO/KIWAUK;
- EN 14055 CE Marking;
- Compatible with all floor and wall-hung mounted toilets;
- Solid wall installation.

INCLUDED IN ALL VERSIONS

- Wall fixing kit;
- G 1/2" stop valve;
- Inlet and outlet toilet connection;
- Toilet fixing material (when applicable);
- Outlet bend and Ø90/110 adaptor (when applicable).

OLI74 PLUS

Direct



SPECIFIC FEATURES

- Compatible with all floor toilets;
- Solid wall installation;
- 80mm thick.

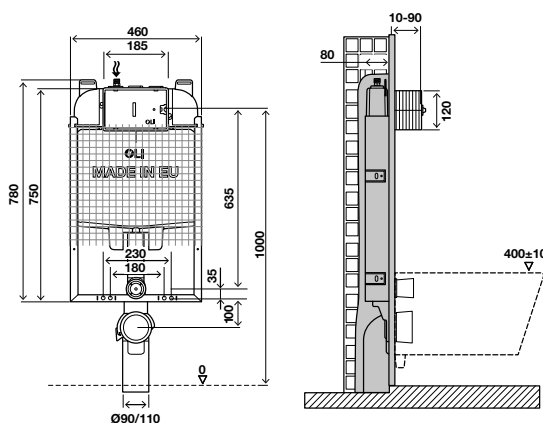


- cod. **885068** Mechanic Nano
- cod. **601601** Mechanic
- cod. **884203** Pneumatic Nano
- cod. **601603** Mechanic 4/2I
- cod. **877961** Mechanic 2 inlet valves
- cod. **880782** Mechanic OLipure
- cod. **077715** Electronic
- cod. **601602** Pneumatic

* installation available with the application of the kit 216640 (page 42)

OLI74 PLUS

Simflex



SPECIFIC FEATURES

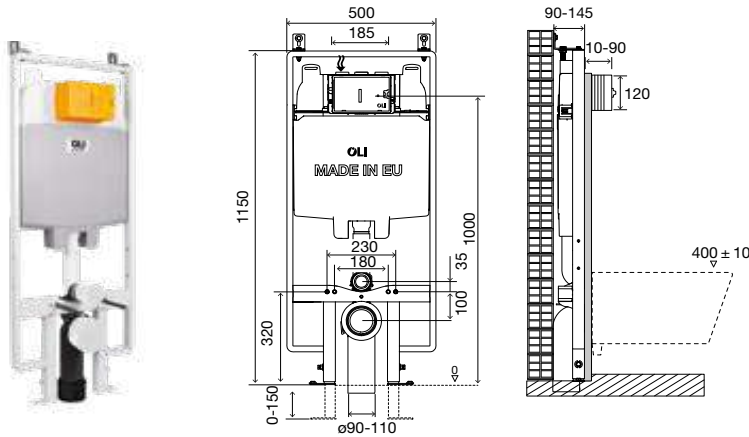
- Compatible with all wall-hung toilets;
- Solid wall installation;
- 80mm thick.



- cod. **601901** Mechanic Simflex
- cod. **885069** Mechanic Simflex Nano
- cod. **216251** Mechanic 4/2I Simflex
- cod. **878929** Mechanic Simflex 2 inlet valves
- cod. **880783** Mechanic OLipure Simflex
- cod. **884228** Pneumatic Simflex Nano
- cod. **002332** Pneumatic Simflex
- cod. **077736** Electronic Simflex

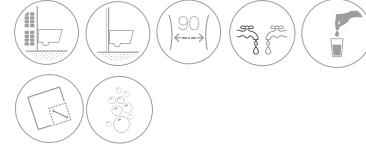
OLI74 PLUS

S90 Sanitarblock



SPECIFIC FEATURES

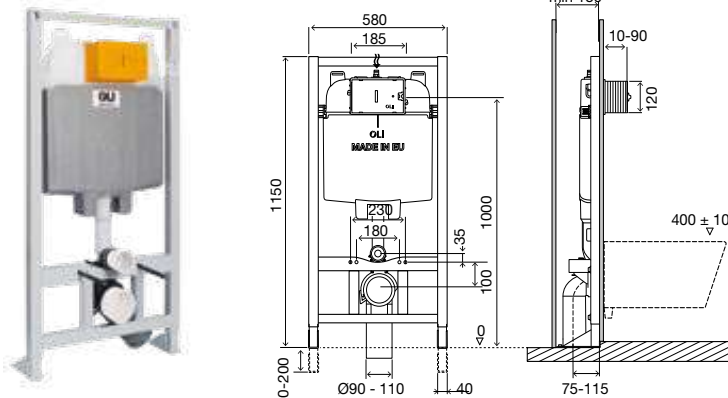
- Compatible with all wall-hung toilets;
- Solid wall or drywall installation;
- Easy and quick installation;
- Depth adjustable outlet bend;
- Height adjustable from 0 to 150mm;
- Option kit to adjust until 300mm;
- 90mm thick.



- cod. **885056** Mechanic 4/2l S90 Sanitarblock Nano
- cod. **885057** Mechanic S90 Sanitarblock 2 inlet valves Nano
- cod. **883134** Mechanic S90 Sanitarblock Nano
- cod. **884235** Pneumatic S90 Sanitarblock Nano
- cod. **216248** Mechanic 4/2l S90 Sanitarblock
- cod. **880799** Mechanic S90 Sanitarblock 2 inlet valves
- cod. **601803** Mechanic S90 Sanitarblock
- cod. **187649** Pneumatic S90 Sanitarblock
- cod. **880784** OLI74 Mechanic OLIpure S90 Sanitarblock
- cod. **878655** cap AC S90 Sanitarblock
- cod. **878840** cap Hydroboost S90 Sanitarblock
- cod. **187650** Electronic S90 Sanitarblock

OLI74 PLUS

Free-standing



SPECIFIC FEATURES

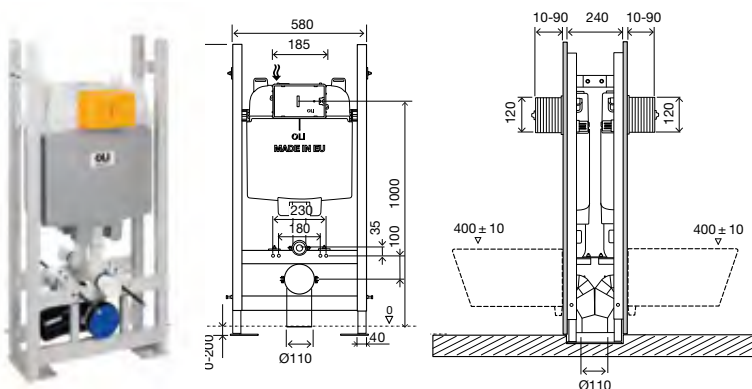
- Compatible with all wall-hung toilets;
- Drywall installation;
- Depth adjustable outlet bend;
- Frame tested for a 400kg load;
- Height adjustable from 0 to 200mm;
- 180mm thick.



- cod. **601822** Mechanic Free-standing

OLI74 PLUS

Free-standing Double



SPECIFIC FEATURES

- Compatible with all wall-hung toilets;
- Drywall installation;
- Frame tested for a 400kg load;
- Height adjustable from 0 to 200mm;
- Frame for back-to-back wall-hung toilet with two in-wall cisterns;
- 240mm thick.



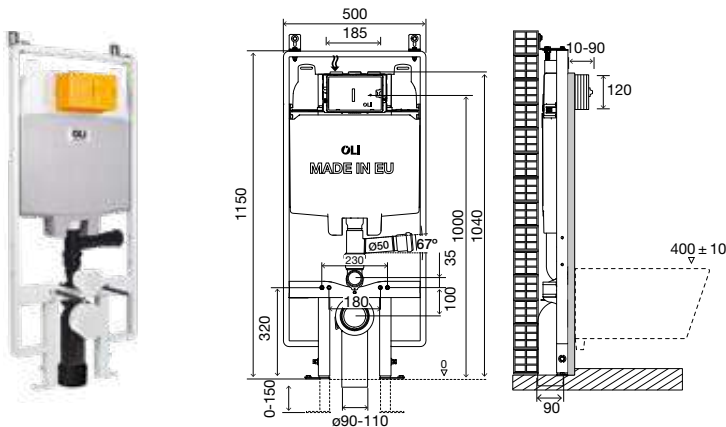
- cod. **600859** Mechanic Free-standing double
- cod. **885061** Mechanic Free-standing double Nano



054558
OCEANIA
mech stainless steel button - glass White

OLI74 PLUS HAPPY AIR

S90 Sanitarblock



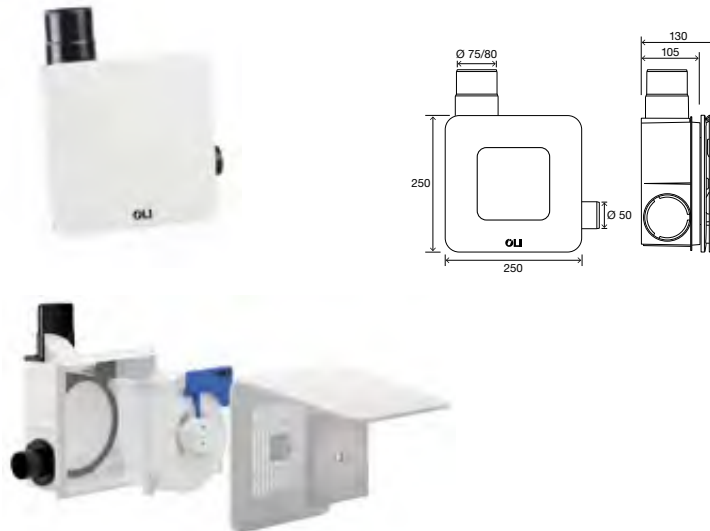
SPECIFIC FEATURES

- Compatible with all wall-hung toilets;
- Flush pipe for happy air system;
- Solid wall or drywall installation;
- Frame tested for a 400kg load;
- Depth adjustable outlet bend;
- Height adjustable from 0 to 150mm;
- 90mm thick.



cod. **881821**

HAPPY AIR



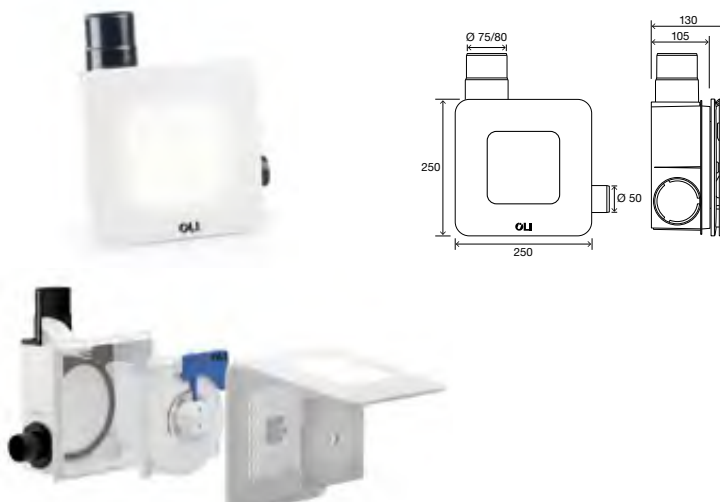
SPECIFIC FEATURES

- High extraction capacity (80m³/h)
- Removes 30% of odours
- Removes 70% of condensation
- Melanine filter – noise reduction;
- Turns off as soon as the client turns off the switch;
- 220V/50Hz;
- Capacity 65m³/h- 22W 31dB;
- Capacity 80m³/h- 29W 35dB.



cod. **887583**

HAPPY AIR PLUS

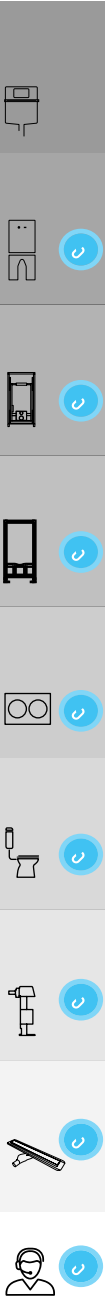


SPECIFIC FEATURES

- High extraction capacity (100m³/h)
- Removes 30% of odours
- Removes 70% of condensation
- Melanine filter – noise reduction;
- 960 Lumen LED that can be turn on independently of the extractor;
- Humidity sensor that can be set to automatically turn on;
- Possible to adjust the operating time after the user switches the switch off (2min-20min);
- Capacity 100m³/h- 12W 34dB(A);
- Capacity 80m³/h- 20W 38dB(A).



cod. **887588**

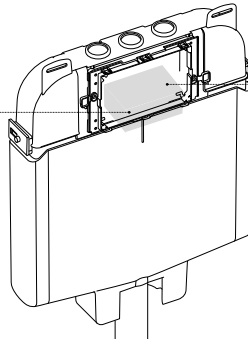
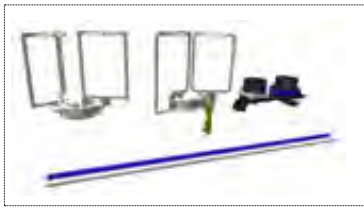




600859
OLI74 PLUS
Mechanic Free-standing double

079206
ELECTRA III
Polished chrome zamac

ACCESSORIES IN-WALL CISTERNS - OLI74 PLUS

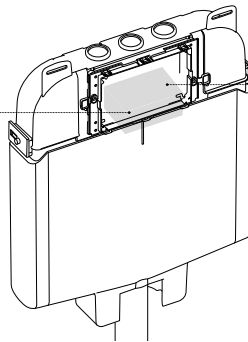


PNEUMATIC CONVERSION KIT
 - 2 pneumatic pipes with 350mm;
 - Outlet valve pneumatic anchors;
 - Pneumatic bellows.

cod. **601527**

AC CONVERSION KIT
 - Pre-installation of the electronic connection is needed;
 - Transformer is supplied.

cod. **878292**

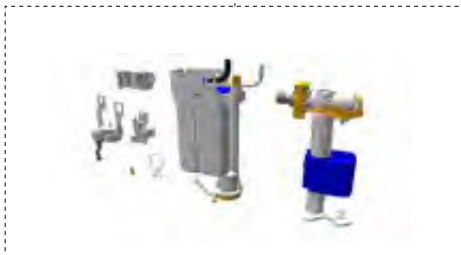
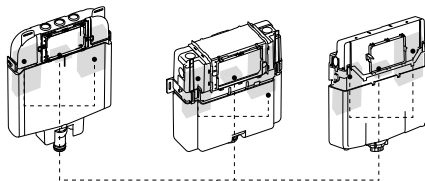


HYDROBOOST CONVERSION KIT
 - Uses the energy of water in motion;
 - No need to connect to the power grid;
 - Suitable for intensive use.

cod. **878285**

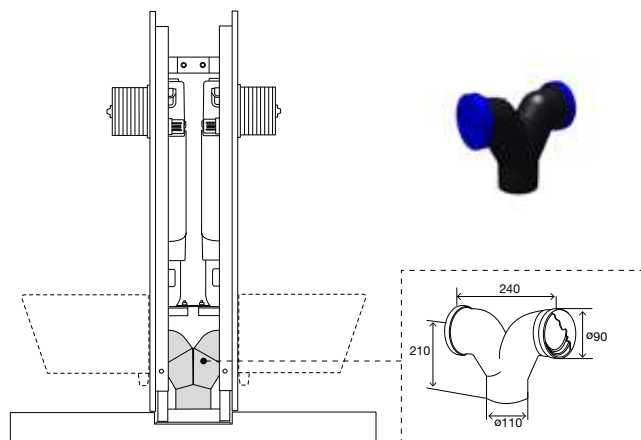
ELECTRONIC CONVERSION KIT
 - Pre-installation of the electrical connection is needed;
 - Transformer is not supplied;
 - Compatible: ELECTRA III flush plate.

cod. **077754**



OLIPURE KIT
 - Compatible with Glam and Narrow flush plates.

cod. **882129**

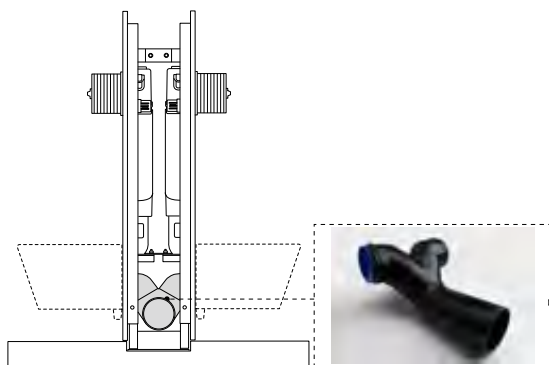


DOUBLE OUTLET BEND VERTICAL

- Double outlet bend for wall-hung toilets with vertical installation.

cod. **111238**



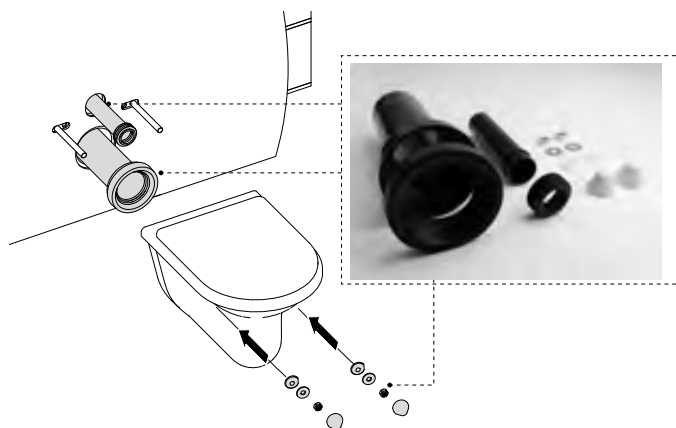


DOUBLE OUTLET BEND

- Double outlet bend for wall-hung toilets with horizontal installation.

cod. **622022** 90/110

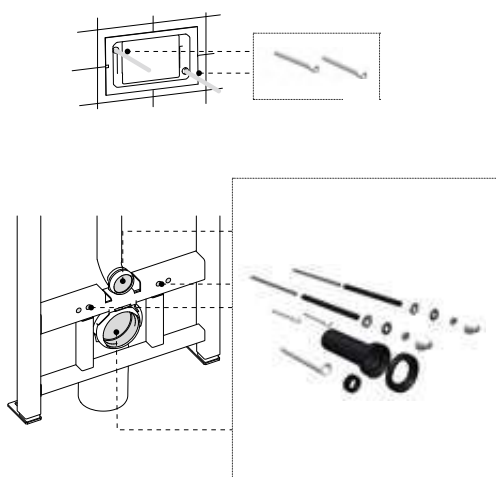
cod. **622023** 110/110



TOILET CONNECTION PIPE

- Outlet pipe $\text{Ø}90 \times \text{Ø}125 \times 250$;
- Rubber seal for outlet pipe $\text{Ø}125$;
- Connection WC pipe $\text{Ø}45 \times 180$;
- Toilet fixing material.

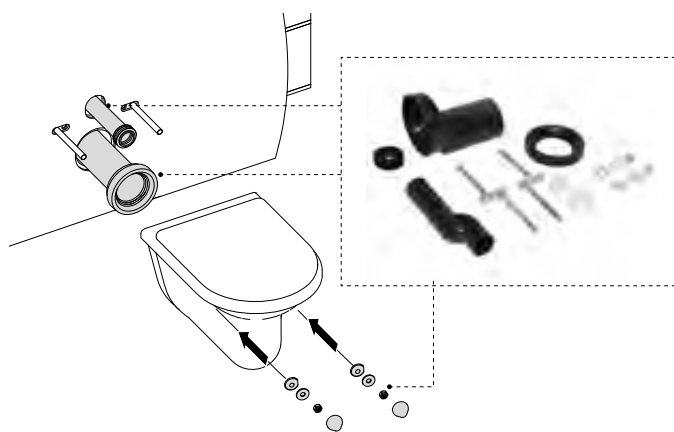
cod. **622501**



LONGER SLEEVES FOR WALL HUNG TOILETS

- Outlet pipe $\text{Ø}90 \times \text{Ø}125 \times 300$;
- Rubber seal for outlet pipe $\text{Ø}125$;
- Connection WC pipe $\text{Ø}45 \times 280$;
- Rubber seal for WC pipe $\text{Ø}45$;
- M12x300 rods for wall-hung toilets fixation;
- Counter plate fixation screws;
- Toilet fixing material.

cod. **011229**



ECCENTRIC SET CONNECTION 25MM

- Accessory sets to enable the correction of incorrect applications;
- Toilet connection $\text{Ø}90$;
- Connection WC pipe $\text{Ø}45 \times 180$.

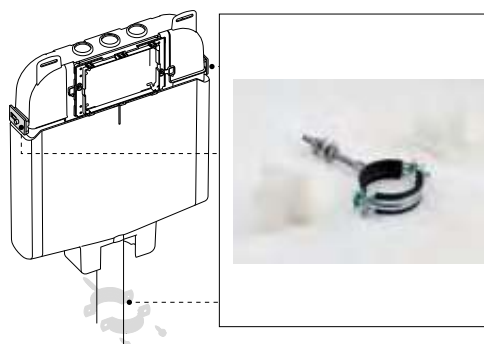
cod. **885108**



OUTLET BEND ADAPTOR $\text{Ø}90/110$

- Polypropylene (PP) material;
- Adaptor to match with $\text{Ø}90/110$.

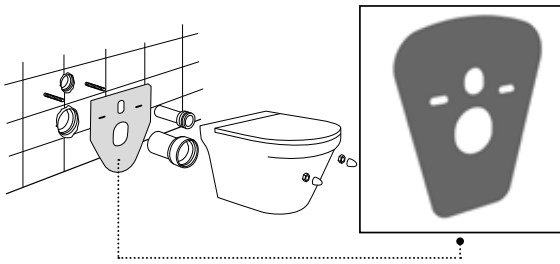
cod. **086360**



DRYWALL FIXING KIT

- Fixation kit for OLI74 PLUS;
- 1 Clamp;
- 2 Support fixation.

cod. **216640**



ACCOUSTIC INSULATION FOR WALL HUNG TOILET AND BIDET

- Acoustic insulation in expanded polyethylene;
- Avoids direct contact between the sanitaryware and the tile.

cod. **620071**



BYPASS CONNECTOR

- Connector between the flush pipe and the outlet bend;
- The flushing can be tested before the toilet is installed.

cod. **885233**



HAPPY AIR KIT PLUS

- Transform any OLI74 PLUS in-wall cisterns with this KIT;
- 1 Outlet pipe connection;
- 1 Happy Air Plus fan.

cod. **884340**



HAPPY AIR KIT

- Transform any OLI74 PLUS in-wall cisterns with this KIT;
- 1 Outlet pipe connection;
- 1 Happy Air fan.

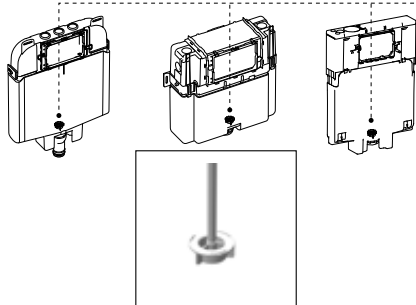
cod. **884339**



FOOT EXTENSION S90 OLI74 PLUS

- Foot extension set 300mm;
- Solution to increase height adjustment.

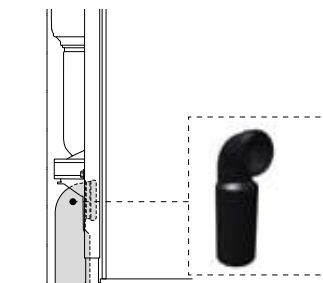
cod. **885109**



FLOW RATE REDUCER

- Can be installed after the cistern is installed inside the wall.

cod. **106572**



WC OUTLET BEND

- WC outlet bend for wall-hung toilets;
- L:300mm;
- Exit Ø110;
- Toilet connection Ø90.

cod. **622002**



AMBIWAVE

- Liquid disinfectant for toilet;
- 450ml dosage;
- 12 units per pack.

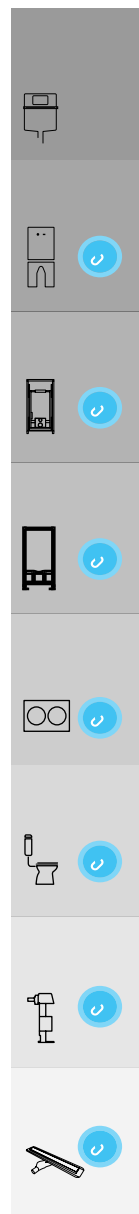
cod. **879955**



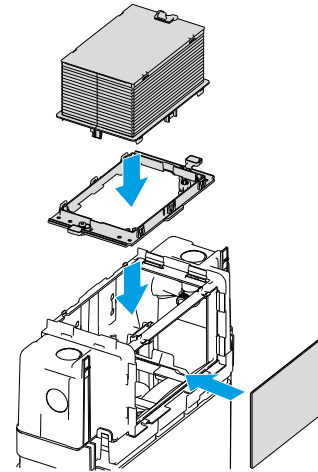
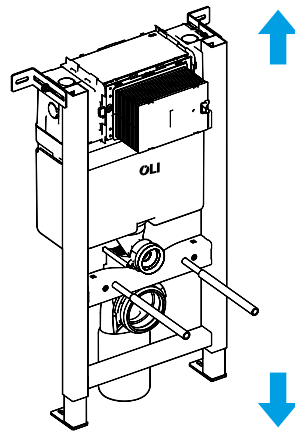
PART NUMBER GUIDE - OLI74 PLUS

	 Mechanic	 4/2L 0	 2 inlet valves	 OLLipure	 Pneumatic	 Electronic	 Hydroboost	 AC	 HAPPY AIR
OLI74 PLUS Direct 	Azor Plus 601601 Nano Plus 885068	601603	877961	880782	Azor Plus 601602 Nano Plus 884203	077715	-	-	-
OLI74 PLUS Simflex 	Azor Plus 601901 Nano Plus 885069	216251	878929	880783	Azor Plus 002332 Nano Plus 884228	077736	-	-	-
OLI74 PLUS S90 Sanitarblock 	Azor Plus 601803 Nano Plus 883134	Azor Plus 216248 Nano Plus 885056	Azor Plus 880799 Nano Plus 885057	880784	Azor Plus 187649 Nano Plus 884235	187650	878840	878655	881821 Fan 887583 Fan Plus 887588
OLI74 PLUS Free-standing 	Azor Plus 601822	-	-	-	-	-	-	-	-
OLI74 PLUS Free-Standing Double 	Azor Plus 600859 Nano Plus 885061	-	-	-	-	-	-	-	-

WxDxH	Weight	Qt.	Multiple Box Dim	Weight	Qty per Pallet	Pallet Height	Pallet Width	Pallet Length	Weight
586x126x692	4.1	1	-	5	36	1.200	0.800	2.236	162.3
910x150x640	7.0	1	-	8	26	1.200	0.910	2.230	207.2
1180x140x530	12.6	1	-	14	20	1.200	0.800	2.350	279.4
1175x165x631	16.8	1	-	18	16	1.200	0.835	2.229	292.9
1305x306x670	33.684	1	-	37	7	1.305	0.8	2.38	259.0



EXPERT PLUS



ADJUSTABLE METAL SUPPORT

The metal links are fixing supports to confidence during the installation of the cistern. Besides ensuring a higher resistance on the fixation, it increase the margin of adjustment according to the wall thickness.

HEIGHT

Expert Plus 820mm version guarantees the bathroom installations of toilets under window, stairs or in attic. This reduced height in-wall cistern prove to be reliable: perfect bathrooms with windows over the toilet.

FRONT OR TOP ACTUATION

Usually the space above the toilet is more difficult to use. Build a shelf and install a floor mounted toilet or wall-hung toilet. With Expert Plus it is now possible to install the flush plates on the top or in front of the cistern.



Compatibility

Wide range of flush plates



EXPERT PLUS



APPLICATION
Lower installation
and additional top
actuation



PLUS
Saves up to 9l of
water per day

SILENT VALVE
CLASS 1 CERTIFIED



FRAME TESTED FOR
A 400KG LOAD

OUTLET BEND
Fine adjustment of
the outlet bend



HEIGHT
ADJUSTABLE
in 200mm



FLUSH PLATE

Wide range of flush plates
and actuations: mechanical
and pneumatic

POLYPROPYLENE (PP)
Highly resistant cistern
inalterable to thermal stress



FLUSH VOLUME
Dual flush: 6/3L.
Adjustable to 4/2 or 7/3L



OLIPURE
Cleans and sanitizes the
toilet

INSTALLATION SYSTEM



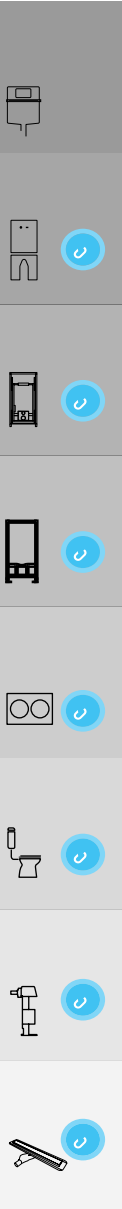
Solid wall-brick lined,
and all floor toilets



Solid wall-brick lined,
and all wall-hung toilets



Drywall,
and all wall-hung toilets



EXPERT PLUS

Complete range



GENERAL FEATURES FOR ALL VERSIONS

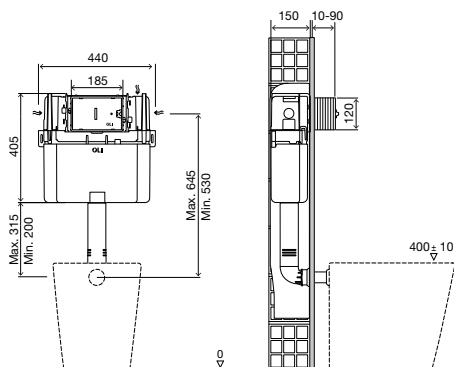
- Dual flush 6/3L in-wall cistern (adjustable to 4/2 or 7/3L);
- Top or front actuation/access;
- Polypropylene (PP) cistern highly resistant and inalterable to thermal stress;
- Mechanic or pneumatic actuation;
- Upon request some versions compliant with:
- Sai-Watermark/NF/Belgaqua/KIWAUK/WRAS certification;
- EN 14055 CE marking;
- Solid wall installation;
- Lower/under bench installation possible;
- 150mm thick.

INCLUDED IN ALL VERSIONS

- Wall fixing kit;
- G 1/2" stop valve;
- Inlet and outlet toilet connection;
- Toilet fixing material (when applicable);
- Outlet bend and Ø90/110 adaptor (when applicable).

EXPERT PLUS

Direct

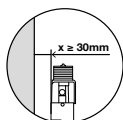


SPECIFIC FEATURES

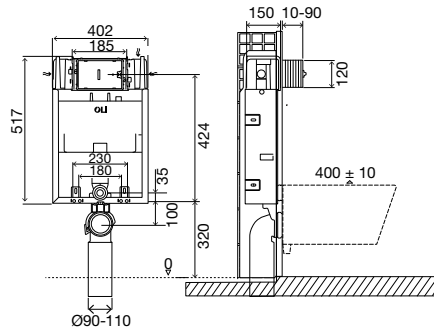
- Compatible with all floor toilets;
- Solid wall installation;
- Lower/under bench installation possible;
- 150mm thick.



- cod. **721003** Mechanic
 cod. **721005** Pneumatic

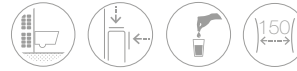


EXPERT PLUS SIMFLEX 820



SPECIFIC FEATURES

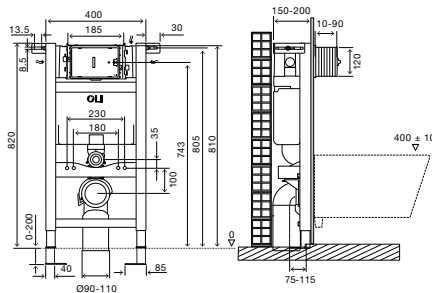
- Compatible with all wall-hung toilets;
- Solid wall installation;
- Lower/under bench installation possible;
- 150mm thick.



cod. **076456** Mechanic Simflex 820

cod. **141960** Pneumatic Simflex 820

EXPERT PLUS SANITARBLOCK 820



SPECIFIC FEATURES

- Compatible with all wall-hung toilets;
- Solid wall or drywall installation;
- Frame tested for a 400kg load;
- Easy and quick installation;
- Height adjustable from 0 to 200mm;
- Depth adjustable outlet bend;
- Lower/under bench installation possible;
- 150mm thick.



cod. **885065** Mechanic Sanitarblock 820 Nano Plus

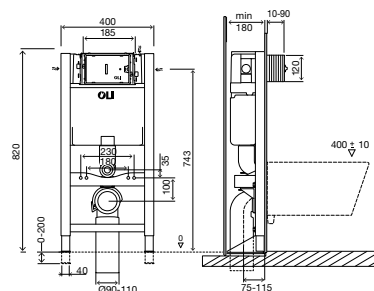
cod. **885067** Pneumatic Sanitarblock 820 Nano Plus

cod. **721703** Mechanic Sanitarblock 820

cod. **721705** Pneumatic Sanitarblock 820

cod. **880787** Mechanic OLIpure Sanitarblock 820

EXPERT PLUS FREE-STANDING 820



SPECIFIC FEATURES

- Compatible with all wall-hung toilets;
- Drywall installation;
- Frame tested for a 400kg load;
- Height adjustable from 0 to 200mm;
- Depth adjustable outlet bend;
- Lower/under bench installation possible;
- 180mm thick.



cod. **014092** Mechanic Free-standing 820

cod. **048375** Pneumatic Free-standing 820



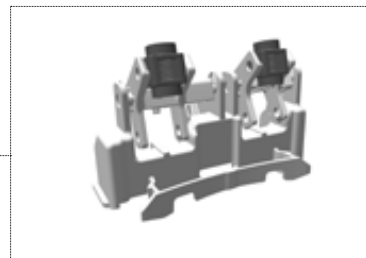
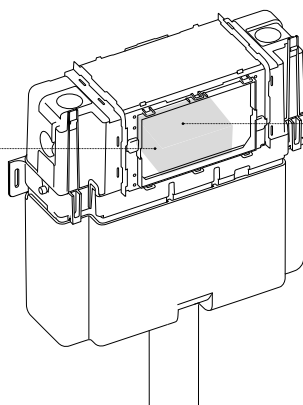
ACCESSORIES IN-WALL CISTERNS - EXPERT PLUS



PNEUMATIC CONVERSION KIT

- 2 pneumatic pipes with 350mm;
- Outlet valve pneumatic anchors;
- Pneumatic bellows.

cod. **0035148**



MECHANIC CONVERSION KIT FOR TOP ACTUATION

- Compatible with top actuation flush plates: Glam, Narrow, Globe and Plain.

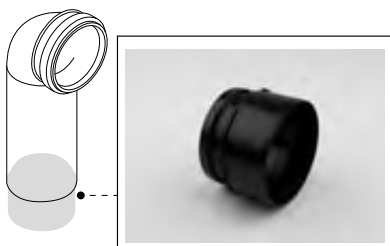
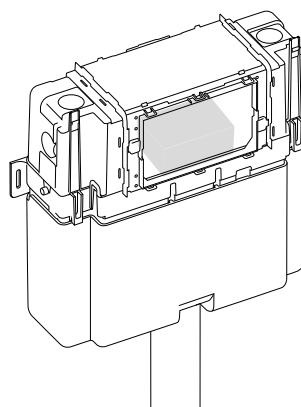
cod. **211743**



MECHANIC CONVERSION KIT

- Outlet valve mechanical anchors;
- Levers set.

cod. **030497**



OUTLET BEND ADAPTOR Ø90/110

- Polypropylene (PP) material;
- Adapter to match with Ø90/110.

cod. **086360**



BYPASS CONNECTOR

- Connector between the flush pipe and the outlet bend;
- The flushing can be tested before toilet is installed.

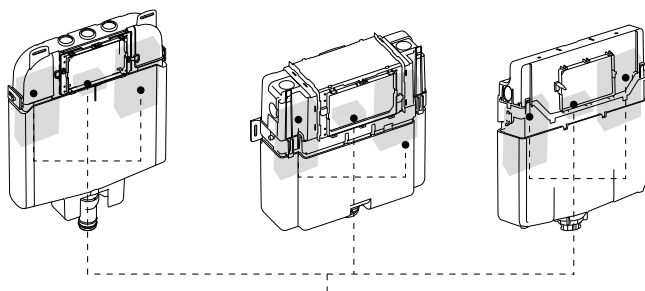
cod. **885233**



AMBIWAVE

- Liquid desinfectant for toilet;
- 450ml dosage;
- 12 units per pack.

cod. **879955**



OLIPURE KIT

- Compatible with Glam and Narrow flush plates.

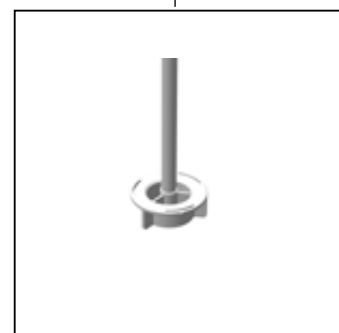
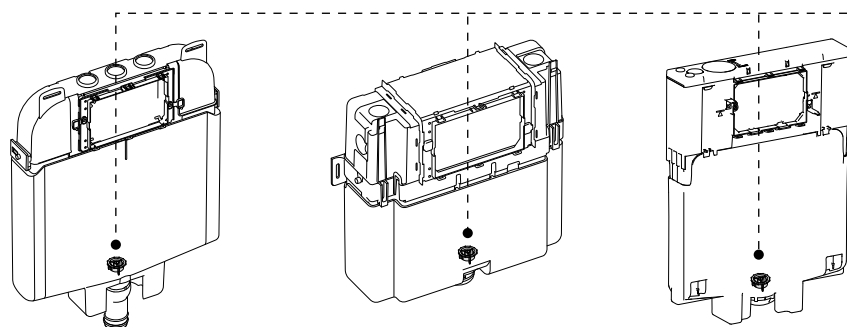
cod. **882129**



FLEXIBLE PIPE EXTENSION 613MM

- The solution to overcome obstacles;
- For EXPERT and QUADRA PLUS an additional flush pipe is needed (Code 021266).

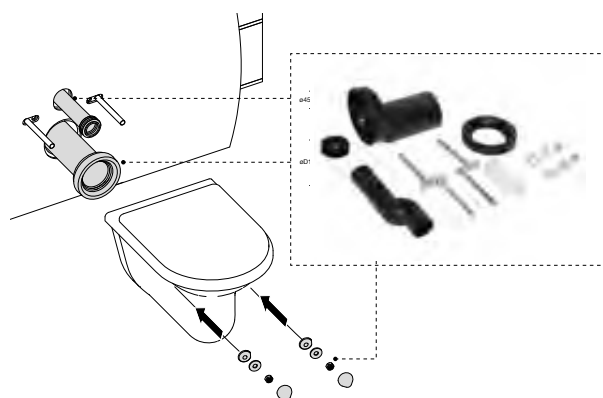
cod. **622401**



FLOW RATE REDUCER

- Can be installed after the cistern is installed inside the wall OLI74 and OLI 80.

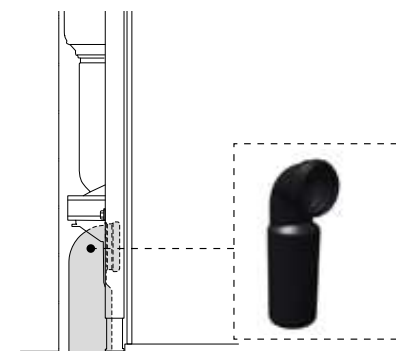
cod. **106572**



ECCENTRIC SET CONNECTION 25MM

- Accessory sets to enable the correction of incorrect applications.
- Toilet connection Ø90;
- Connection WC pipe Ø45x180.

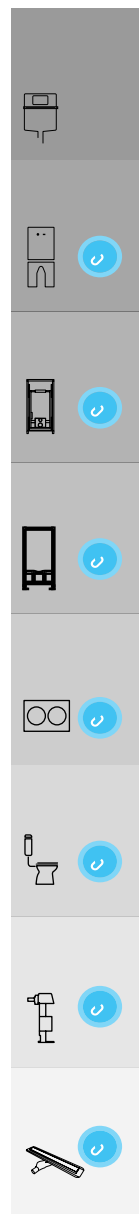
cod. **885108**












WC OUTLET BEND

- WC outlet bend for wall-hung toilets;
- L:300mm;
- Exit Ø110;
- Toilet connection Ø90.

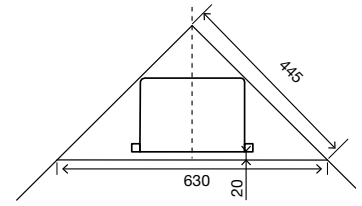
cod. **622002**



PART NUMBER GUIDE - EXPERT PLUS

	 Mechanic	 4/2L	 2 inlet valves	 4/2L 2 inlet valves	 OLipure	 Pneumatic
EXPERT PLUS Direct 	721003	-	-	-	-	721005
EXPERT PLUS Simflex 820 	076456	-	-	-	-	141960
EXPERT PLUS Sanitarblock 820 	Azor Plus 721703 Nano Plus 885065	-	-	-	880787	Azor Plus 721705 Nano Plus 885067
EXPERT PLUS Free-standing 820 	014092	-	-	-	-	048375

QUADRA PLUS



FAST-FIT

Fast-Fit is a system that provides a fixation to the load bearing walls and allows for a fast and precise levelling of the frame.



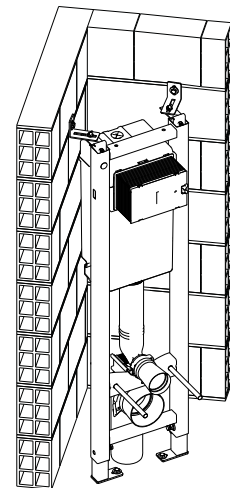
REDUCED DIMENSIONS

Quadra Plus, thanks to its 300mm reduced width, fits in all bathrooms.



CORNER KIT

With acquisition of corner kit, Quadra Plus is ideal for corner installations. See page 57.



Compatibility
Wide range of flush plates

	Glam	Metal	Ria	Plain	Ino-X	Oceania	Narrow
	Globe	Slim	Less is More				
	Blink	Trumpet	Oceania	Easy Dual	Salina	Karisma	Sm15

QUADRA PLUS

FAST-FIT SYSTEM
3 easy steps

PLUS
Saves up to 9l of water per day

SILENT VALVE
CLASS 1 CERTIFIED

FRAME TESTED FOR A 400KG LOAD

OUTLET BEND
Fine adjustment of the outlet bend

HEIGHT ADJUSTABLE
in 200mm

FLUSH PLATE
Wide range of flush plates and actuators: mechanical, and pneumatic.

POLYPROPYLENE (PP)
Highly resistant cistern inalterable to thermal stress

FLUSH VOLUME
Dual flush: 6/3L.

INSTALLATION SYSTEM

- Solid wall-brick lined, and all floor toilets
- Solid wall-brick lined, and all wall-hung toilets
- Drywall, and all wall-hung toilets

IDEAL FOR CORNER APPLICATION

-
-
-
-
-
-
-
-
-

QUADRA PLUS

Complete range



GENERAL FEATURES FOR ALL VERSIONS

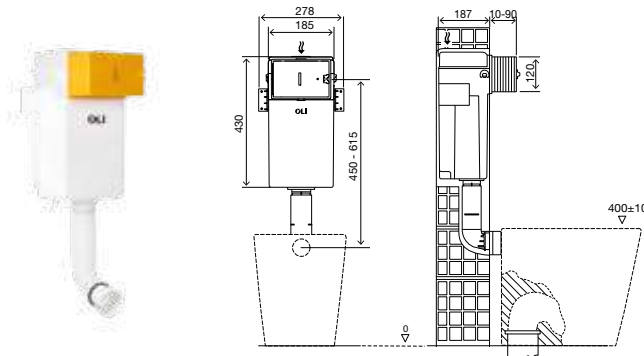
- Dual flush 6/3L in-wall cistern;
- Compatible with Mechanical and Pneumatic flush plates;
- Polypropylene (PP) cistern highly resistant and inalterable to thermal stress;
- Upon request some versions compliant with: NF certification;
- EN 14055 CE marking;
- Compatible with all floor and wall-hung mounted toilets;
- 187 mm thick.

INCLUDED IN ALL VERSIONS

- 215mm flush pipe;
- G 1/2" stop valve;
- WC connection pipe Ø45 .

QUADRA PLUS

Direct



SPECIFIC FEATURES

- Compatible with all floor toilets;
- Solid wall installation;
- 300mm reduced width;
- 187mm thick.

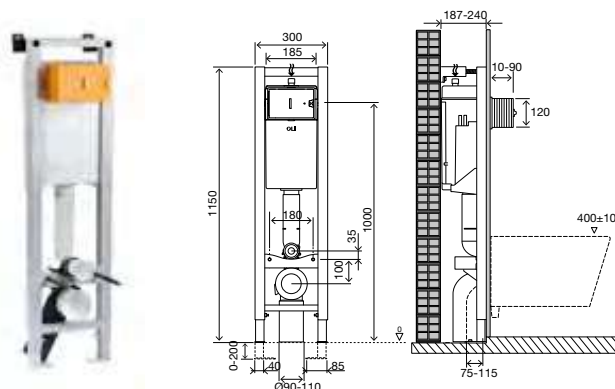


cod. **720002** Mechanic

cod. **037172** Pneumatic

QUADRA PLUS

SANITARBLOCK



SPECIFIC FEATURES

- Compatible with wall-hung toilets with a 180mm fixation length;
- Solid wall or drywall installation;
- Frame tested for a 400kg load;
- Easy and quick installation with Fast-Fit system;
- Depth adjustable outlet bend;
- Height adjustable from 0 to 200mm;
- 300mm reduced width;
- 187mm thick.



cod. **885060** Mechanic Sanitarblock Nano Plus

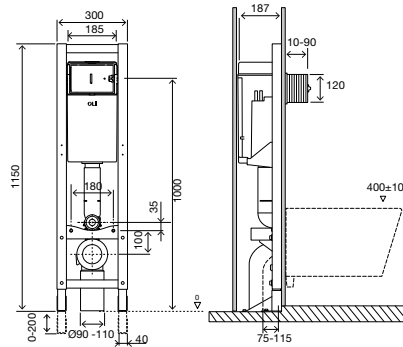
cod. **885058** Pneumatic Sanitarblock Nano Plus

cod. **135974** Mechanic Sanitarblock

cod. **141945** Pneumatic Sanitarblock

QUADRA PLUS

FREE-STANDING



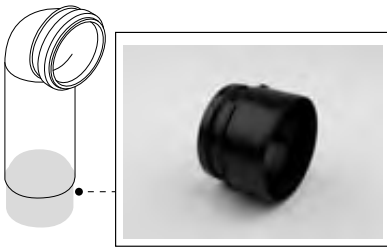
SPECIFIC FEATURES

- Compatible with wall-hung toilets with a 180mm fixation length;
- Drywall installation;
- Frame tested for a 400kg load;
- Easy and quick installation;
- Depth adjustable outlet bend;
- Height adjustable from 0 to 200mm;
- 300mm reduced width;
- 187mm thick.



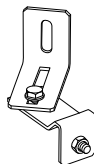
- cod. **722021** Mechanic Free-standing
- cod. **187103** Pneumatic Free-standing

ACCESSORIES IN-WALL CISTERNS - QUADRA PLUS



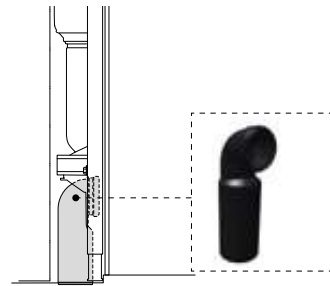
OUTLET BEND ADAPTOR Ø90/110
 - Polypropylene (PP) material;
 - Adapter to match with Ø90/110.

cod. **086360**



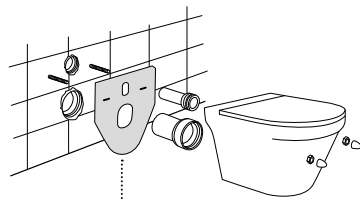
SANITARBLOCK CORNER KIT
 - Ideal for corner application.

cod. **719183**



WC OUTLET BEND
 - WC outlet bend for wall-hung toilets;
 - L:300mm;
 - Exit Ø110;
 - Toilet connection Ø90.

cod. **622002**



ACCOUSTIC INSULATION FOR WALL HUNG TOILET OR BIDET
 - Accoustic insulation in expanded polyethylene;
 - Avoids direct contact between the sanitaryware and the tile.

cod. **620071**



FLEXIBLE PIPE EXTENSION 613MM
 - The solution to overcome obstacles;
 - For EXPERT and QUADRA PLUS an additional flush pipe is needed (Code 021266).

cod. **622401**

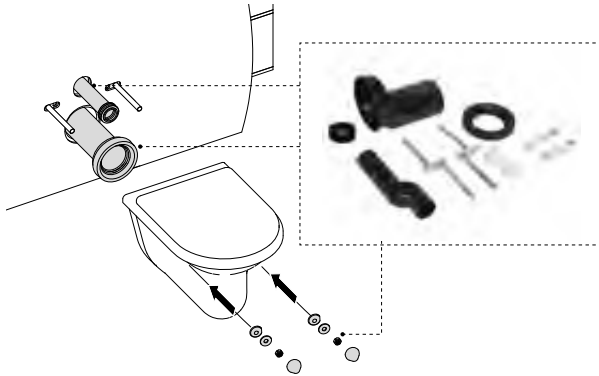




070826
PLAIN White

135974
QUADRA PLUS Mechanic Sanitarblock

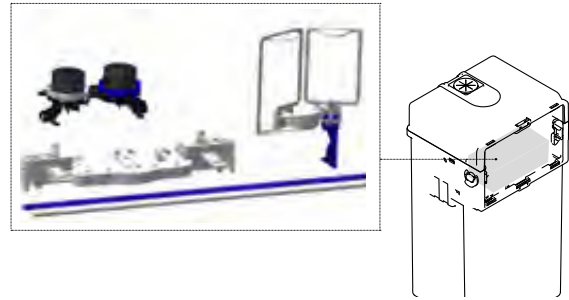
ACCESSORIES IN-WALL CISTERNS - QUADRA PLUS



ECCENTRIC SET CONNECTION 25MM

- Accessory sets to enable the correction of incorrect applications.
- Toilet connection Ø90;
- Connection WC pipe Ø45x180.

cod. **885108**






PNEUMATIC CONVERSION KIT

- 2 pneumatic pipes with 2.5m length;
- Outlet valve pneumatic anchors;
- Pneumatic bellows.

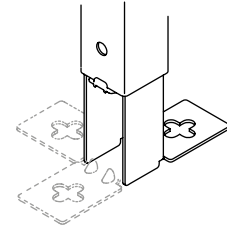
cod. **101773**

PART NUMBER GUIDE - QUADRA PLUS

	Mechanic	Pneumatic	WxDxH	Weight	Qt.	Multiple Box Dim	Weight	Qty per Pallet	Pallet Height	Pallet Width	Pallet Length	Weight
QUADRA PLUS Direct 	720002	037172	286x205x610	3.9	1	-	4	64	1.200	0.824	2.600	265.4
QUADRA PLUS Sanitarblock 	Azor Plus 135974 Nano Plus 885060	Azor Plus 141945 Nano Plus 885058	1179x228x340	11.6	1	-	13	21	1.200	0.800	2.220	269.4
QUADRA PLUS Free-standing 	722021	187103	1179x228x340	12.8	1	-	14	20	1.200	0.800	2.424	282.7



OLI80



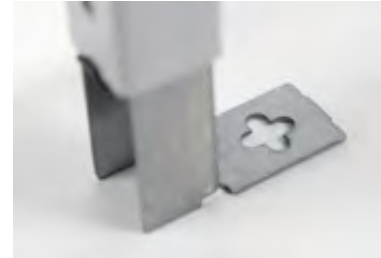
AUTO-LEVELER

Assembly can be done by only one person, allowing for a fast and precise levelling of the frame.



BLOCKADE

According to the scenario of construction site, the fixation feet have 3 positions and a metal block to adjust to the intended position.



FIXATION FEET

The fixation feet have a cross drill to increase the margin of the holes, facilitating the installation.



FAST-FIT

Fast-Fit is a system that provides a fixation to the load bearing walls and allows for a fast and precise levelling of the frame.

Compatibility

Wide range of flush plates



OLI80



FAST-FIT SYSTEM
3 easy steps



FRAME TESTED FOR
A 400KG LOAD

OUTLET BEND
Fine adjustment of
the outlet bend



HEIGHT
ADJUSTABLE
in 200mm



COST-BENEFIT RANGE

FLUSH PLATE
Wide range of flush plates
and actuations: mechanical,
pneumatic, electronic and
No-Touch

POLYPROPYLENE (PP)
Highly resistant cistern
inalterable to thermal stress.



FLUSH VOLUME
Dual flush: 6/3L. Adjustable
to 4.5/3L

INSTALLATION SYSTEM

Solid wall-brick lined,
and all floor toilets

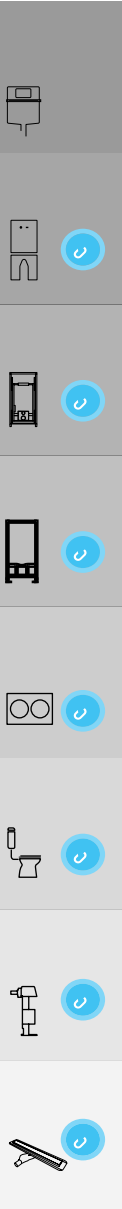
Solid wall-brick lined,
and all wall-hung toilets

Drywall,
and all wall-hung toilets



ONE MAN ASSEMBLY

.... EN 14055 CE MARKING



OLI80

Complete range



GENERAL FEATURES FOR ALL VERSIONS

- Dual flush 6/3L in-wall cistern (adjustable to 4.5/3L);
- Polypropylene (PP) cistern highly resistant and inalterable to thermal stress;
- Mechanical actuation;
- Upon request compliant with: Belgaqua certification;
- EN 14055 CE marking;
- Compatible with all floor and wall-hung mounted toilets.

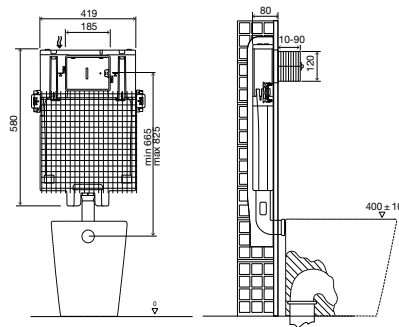


INCLUDED IN ALL VERSIONS

- Flush pipe included;
- Wall fixing kit;
- Net for easier grout adhesion;
- G 1/2" stop valve;
- WC connection pipe Ø45.

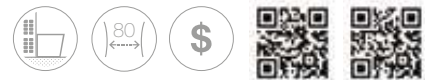
OLI80

Direct



SPECIFIC FEATURES

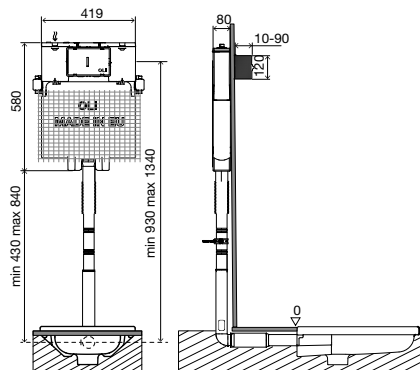
- Compatible with all floor toilets;
- Flexible pipe included;
- Flexible pipe height 430 to 840mm;
- Solid wall installation;
- 80mm thick.



cod. **885070** Mechanic Nano
 cod. **600051** Mechanic

OLI80

Squat pan



SPECIFIC FEATURES

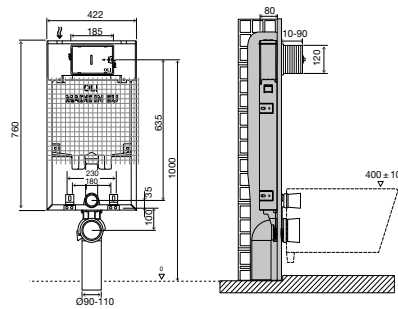
- Compatible with all toilet at floor level or floor mounted;
- Flexible pipe included;
- Flexible pipe height 430 to 840mm;
- Solid wall installation;
- 80mm thick.



cod. **045058** Mechanic squat pan
 cod. **885112** Mechanic squat pan Nano

OLI80

Simflex



SPECIFIC FEATURES

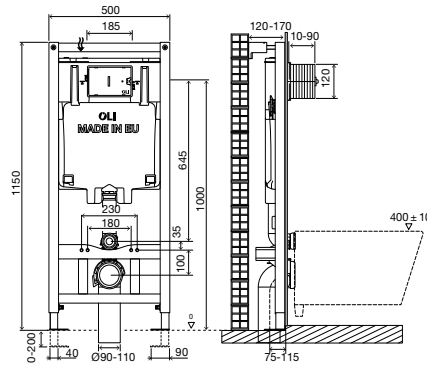
- Compatible with all wall-hung toilets;
- Solid wall installation;
- 80mm thick.



cod. **885110** Mechanic Simflex Nano
 cod. **600251** Mechanic Simflex

OLI80

Sanitarblock



SPECIFIC FEATURES

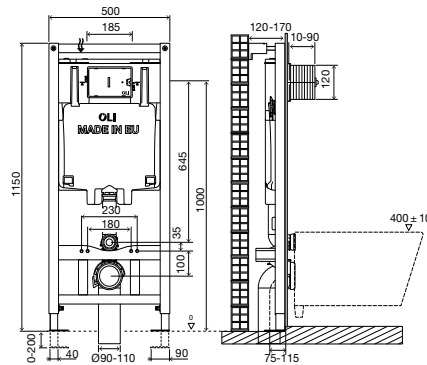
- Wall hung toilets up to 660mm long;
- Frame tested for a 400kg load;
- Depth adjustable outlet bend;
- Easy and quick installation with fast fit system;
- Height adjustable from 0 to 200mm;
- One man assembly;
- Solid wall or drywall installation;
- 120mm thick.



cod. **885111** Mechanic Sanitarblock Nano
 cod. **600151** Mechanic Sanitarblock

OLI80

Sanitarblock salt water



SPECIFIC FEATURES

- Wall hung toilets up to 660mm long;
- Frame tested for a 400kg load;
- Depth adjustable outlet bend;
- Easy and quick installation with fast fit system;
- Height adjustable from 0 to 200mm;
- One man assembly;
- Solid wall or drywall installation;
- 120mm thick.
- Flushing cistern without any metal components, prepared to be used with seawater and prevent a risk of corrosion



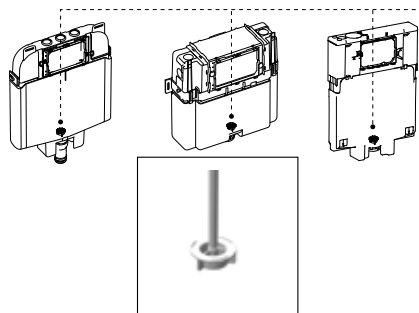
cod. **885232** Mechanic Sanitarblock salt water





640584
RIA Polished chrome

ACCESSORIES IN-WALL CISTERNS - OLI80



FLOW RATE REDUCER

- Can be installed after the cistern is installed inside the wall.

cod. **106572**



FLEXIBLE PIPE EXTENSION 613MM

- The solution to overcome obstacles.

cod. **622401**

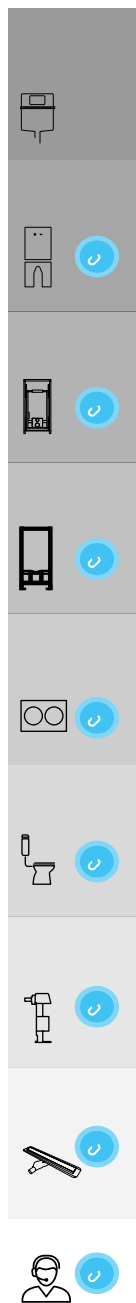


FLOOR SUPPORT SYSTEM FOR SIMFLEX FRAMES

- Compatible with OLI Simflex frames;
- Fixing material included.

cod. **059272**

	Mechanic	Seawater	Mechanic		Mechanic		Mechanic					
			WxDxH	Weight	Qt.	Multiple Box Dim	Weight	Qty per Pallet	Pallet Height	Pallet Width	Pallet Length	Weight
OLI80 Direct 	Azor 600051 Nano 885070	-	595x130x700	3.9	-	4	36	1.200	0.800	2.290	151.8	
OLI80 Squat pan 	Azor 045058 Nano 885112	-	595x130x700	4.2	1	-	5	36	1.200	0.800	2.290	162.6
OLI80 Simflex 	Azor 600251 Nano 885110	-	916x166x565	7.0	1	-	8	22	1.200	0.897	1.990	176.3
OLI80 Sanitarblock 	Azor 600151 Nano 885111	-	1180x140x530	13.5	1	-	15	20	1.200	0.800	2.350	296.3
OLI80 Sanitarblock Salt water 	-	885232	1180x140x530	13.5	1	-	15	20	1.200	0.800	2.350	296.3





Projects

BNP PARIBAS: BRUSSELS

The new headquarters of BNP Paribas Fortis bank in Brussels, is an “architectural jewel” and passive building that meets the highest standards of innovation and environmental performance.

Located in Warandeberg, in the heart of the Belgian capital, the building has a floor area of more than 100,000 square metres and houses 4,100 workplaces, making it one of the largest office buildings in Belgium.

The bathrooms of this building was equipped with **OLI120 PLUS SANITARBLOCK** in-wall cisterns and **SLIM Soft-touch black** flush plates.



Projects

KATARA TOWERS: DOHA - QATAR

Katara Towers are a new icon in Qatar.

Symbolically intertwined with Qatar’s heritage, the Iconic Towers in Lusail are an architectural translation of Qatar’s national seal, representing the traditional scimitar swords.

In these two towers, which house two hotels, we can find the **OLI74 PLUS Sanitarblock** in-wall cisterns as well as the **SLIM Polished & gold and OCEANIA MIA** flush plates.





Projects

IBEROSTAR MIRAFLORES HOTEL, PERU

The Iberostar Miraflores Hotel, in Lima - Peru, is the first single-use plastic-free hotel. Promoting the circular economy is one of the purposes of this 5-star hotel that presents us with an inspiring design and offers a warm and welcoming atmosphere, without giving up the avant-garde style of the new construction.

Keeping the bet on sustainability, they chose **OLI74 PLUS SANITARBLOCK** in-wall cisterns with **GLOBE Black Soft-touch** flush plates for their bathroom spaces.



Projects

THE COLETTE RESIDENCES - URUGUAI

To equip the bathrooms of the 46 flats in this residential development, the following were chosen: the **SLIM Inox** and **SLIM White** flush plates, the **OLI120 PLUS** and **OLI74 PLUS** in-wall cisterns and also the bidet support frames, reflecting respect for nature and the environment.





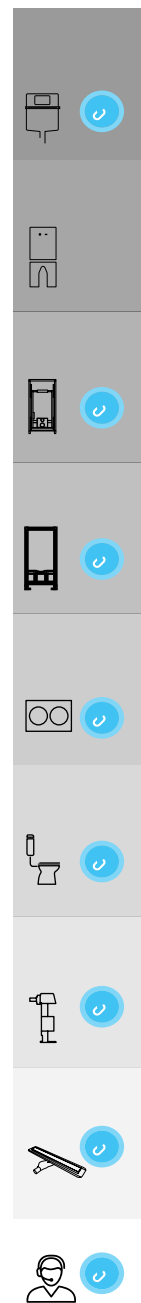
878641
QR-INOX Black no-touch cap AC hung wc

The QR-INOX and the SEAL BOX for wall-hung and floor mounted toilets, arise with the thought on of those who wish to renovate their bathroom without resorting to deep works or for those passionate for the design in every house division!

THE PRESENT OF BATHROOM IMPROVEMENT

QR-INOX 72
SEAL BOX 73

SANITARY MODULES



Solid wall, floor standing toilet



Drywall, floor standing toilet



Capacitive sensor



Solid wall, wall-hung toilet



Drywall, wall-hung toilet



Pneumatic actuation

SANITARY MODULES



NO-TOUCH VERSION

The flush is activated with the approach of the hand, without touching the module, thanks to the use of capacitive sensors. The AC version, with connection of the sensors to the power grid, allowing the flush to be activated with the approach of the hand.



PNEUMATIC VERSION

Comes with a stainless steel swinging selector button in a brushed finish for activating the half flush and the complete flush. The button's rounded shape provides the sanitary modules with nobility and distinctiveness.



STAINLESS STEEL

The edge around the sanitary modules is made of one piece brushed stainless steel.



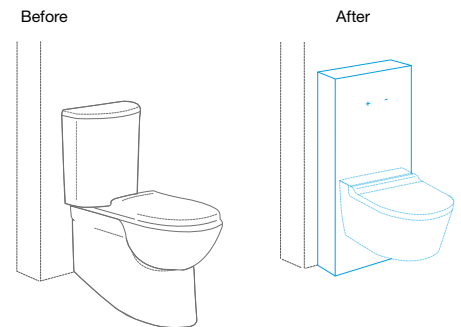
FLOOR TOILET

QR-Inox Floor is compatible with all floor mounted toilets available in the market.



WALLHUNG TOILET

QR-Inox Hung WC is compatible with all wall hung toilets available in the market*.



GOOD REASONS TO REDESIGN THE BATHROOM

- Walls do not need to be open for installation;
- Existing water connections can be used;
- A modern design in every bathroom.

SANITARY MODULES

FLUSH VOLUME
Dual flush: 6/3L.
Adjustable to 4.5/3L

SILENT VALVE
Class 1 certified

PLUS
Saves up to 9l of water per day

STAINLESS STEEL EDGE
One piece, brushed stainless steel frame

FULLY MAINTENANCE
Maintenance through the front top glass panel

5 POSSIBLE WATER CONNECTIONS
Multiple water connections allow a higher adaptability to the installation requirement

NO-TOUCH
With No-Touch technology there is no need to touch the module to activate the flush. Hygiene and convenience are taken to a new level, by adopting a clean and sustainable technology

AC POWER-MAINS

PNEUMATIC
The pneumatic version comes with a stainless steel swinging selector button in a brushed finish for activation the flush

FINISHES
Tempered glass

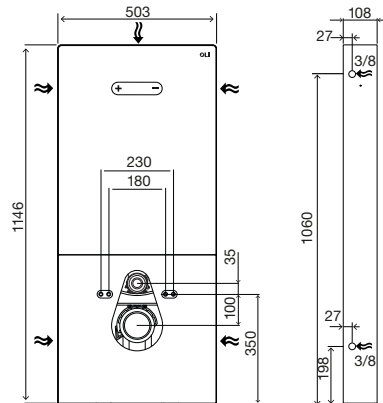


INCLUDED IN ALL VERSIONS

- Internal frame fixing material;
- Inlet and outlet toilet connection;
- G 1/2" stop valve;
- Flexible hose 1/2" / 3/8", 250mm.



QR-INOX
Hung WC



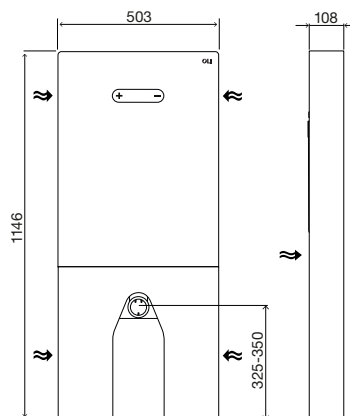
GENERAL FEATURES

- Dual flush Sanitary Module 6/3L;
- Compatible with all wall-hung toilets;
- Delayed refilling – PLUS technology inlet valve;
- 108mm thick;
- Equipped with OLI74 Plus cistern;
- Outlet bend and Ø90/110 adaptor;
- Toilet fixing material;
- EN 14055 CE marking.



- cod. **061568** Black button Pneumatic hung wc
- cod. **878641** Black no-touch cap AC hung wc
- cod. **061565** White button Pneumatic hung wc
- cod. **878640** White no-touch cap AC hung wc

QR-INOX
Floor



GENERAL FEATURES

- Dual flush Sanitary Module 6/3L;
- Compatible with all floor mounted toilets;
- Delayed refilling – PLUS technology inlet valve;
- 108mm thick;
- Equipped with OLI74 Plus cistern;
- Flexible outlet WC (min 220 to 570mm);
- EN 14055 CE marking;
- Solid and drywall installations.



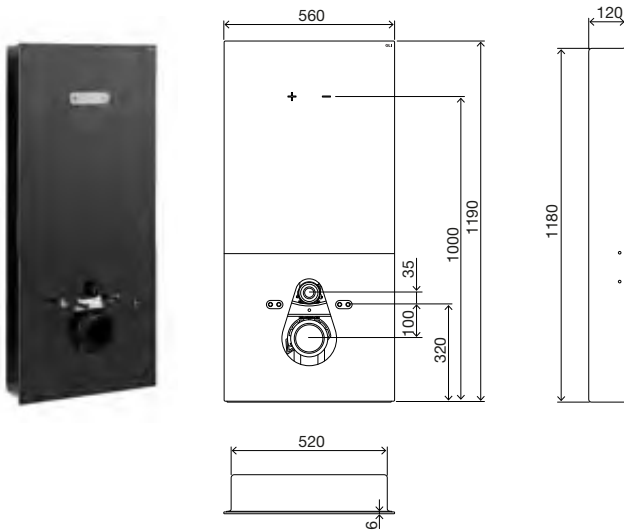
- cod. **061563** Black button Pneumatic floor
- cod. **878643** Black no-touch cap AC floor
- cod. **061562** White button Pneumatic floor
- cod. **878642** White no-touch cap AC floor

INCLUDED IN ALL VERSIONS

- Internal frame fixing material;
- Inlet and outlet toilet connection;
- G 1/2" stop valve;
- Flexible hose 1/2" / 3/8", 250mm.

SEAL BOX

Hung WC



GENERAL FEATURES

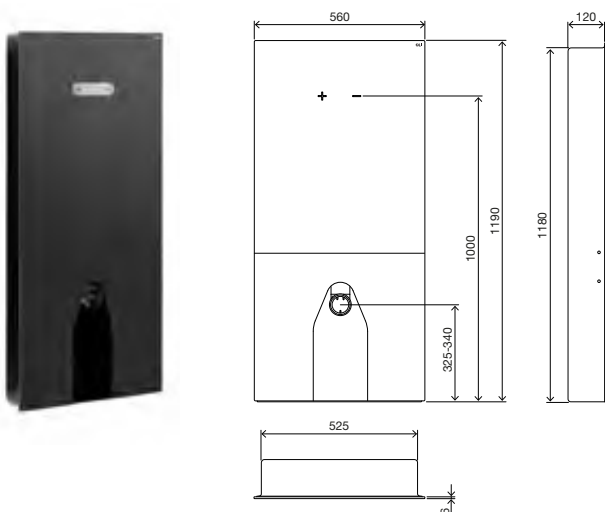
- In-wall installation with glass front panel visible;
- Leakage prevention box in ABS and PMMA;
- Dual flush Sanitary Module 6/3L;
- Compatible with all wall-hung toilets;
- Solid and drywall installations;
- Delayed refilling – PLUS technology inlet valve;
- 120mm thick;
- Equipped with OLI74 Plus cistern;
- Outlet bend and Ø90/110 adaptor;
- Toilet fixing material;
- EN 14055 CE marking.



- cod. **880450** Black button Pneumatic hung wc
 cod. **880372** White button Pneumatic hung wc

SEAL BOX

Floor

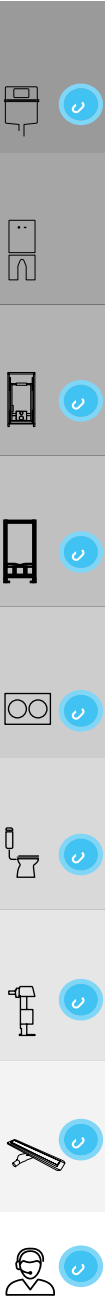


GENERAL FEATURES

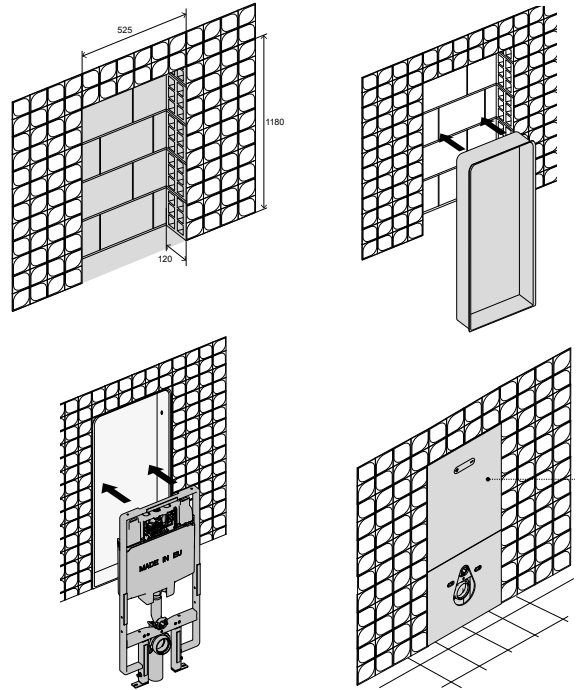
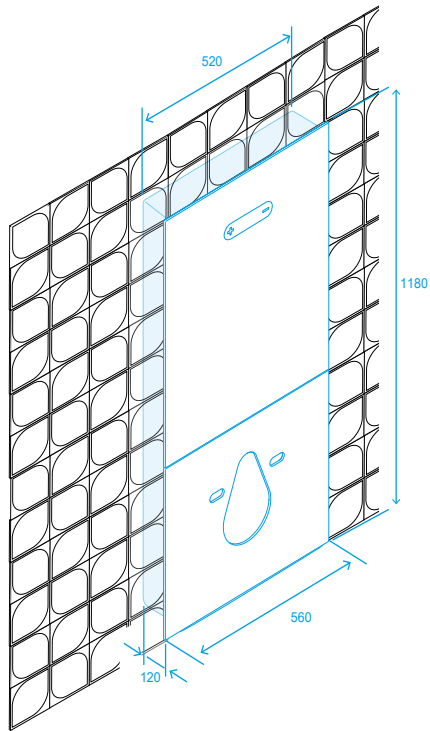
- In-wall installation with glass front panel visible;
- Leakage prevention box in ABS and PMMA
- Dual flush Sanitary Module 6/3L;
- Compatible with all floor mounted toilets;
- Solid and drywall installations;
- Delayed refilling – PLUS technology inlet valve;
- 120mm thick;
- Equipped with OLI74 Plus cistern;
- Flexible outlet WC (min 220 to 570mm);
- EN 14055 CE marking.



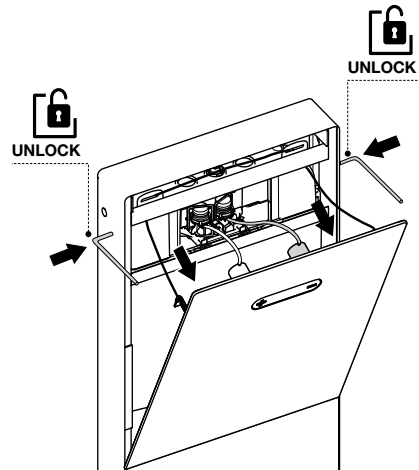
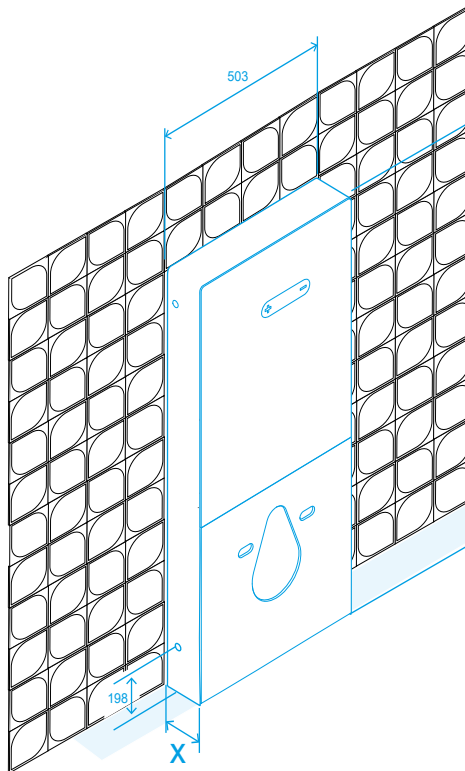
- cod. **880456** Black button Pneumatic floor
 cod. **880455** White button Pneumatic floor



SEAL BOX



QR-INOX



EASY MAINTENANCE

For an easy maintenance, the sanitary module brings two keys to insert in the small side holes to open and access the cistern.

ACCESSORIES - SANITARY MODULES



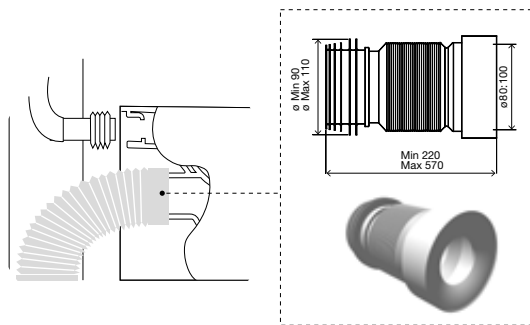
S-BEND OUTLET TOILET
 - Length 175mm to 385mm;
 - Exit Ø90/110;
 - Toilet connection Ø90.

cod. **108185**



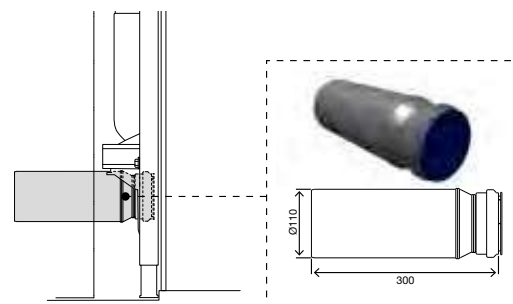
OUTLET BEND ADAPTOR Ø90/110
 - Polypropylene (PP) material;
 - Adaptor to match with Ø90/110.

cod. **086360**



FLEXIBLE OUTLET BEND TOILET
 - Length 220mm to 570mm;
 - Exit Ø90/110;
 - Toilet connection Ø80/100.

cod. **079929**



HORIZONTAL OUTLET TOILET
 - Length 300mm;
 - Exit Ø110;
 - Toilet connection Ø90.

cod. **108380**



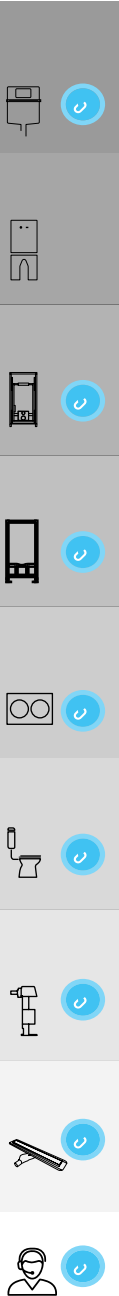
ECCENTRIC 20MM
 - Height 118mm;
 - Exit Ø100;
 - Toilet connection Ø90/110.

cod. **881608**



ECCENTRIC 40MM
 - Height 125mm;
 - Exit Ø110;
 - Toilet connection Ø90/110.

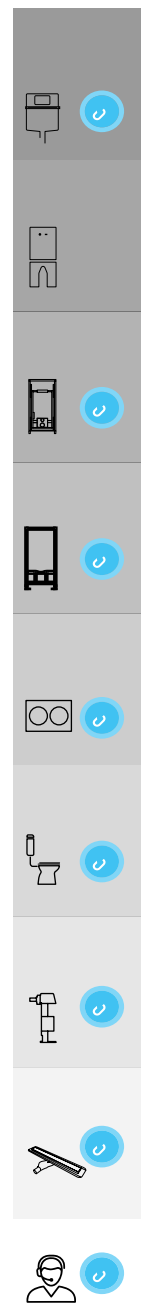
cod. **881613**



PART NUMBER GUIDE - SANITARY MODULES

MODEL 	 Pneumatic	 Cap AC
QR-INOX White □	061565 Hung wc 061562 Floor	878640 Hung wc 878642 Floor
QR-INOX Black ■	061568 Hung wc 061563 Floor	878641 Hung wc 878643 Floor
SEAL BOX White □	880372 Hung wc 880455 Floor	-
SEAL BOX Black ■	880450 Hung wc 880456 Floor	-

WxDxH	Weight	Qt.	Multiple Box Dim	Weight	Qty per Pallet	Pallet Height	Pallet Width	Pallet Length	Weight
1185x545x282	26.8	1	-	-	5	1.200	0.800	1.570	162.3
1185x545x282	20.7	1	-	-	5	1.200	0.800	1.570	137.5
1185x545x282	26.8	1	-	-	5	1.200	0.800	1.570	162.3
1185x545x282	20.7	1	-	-	5	1.200	0.800	1.570	137.5
1185x545x282	25.1	1	-	-	5	1.200	0.800	1.570	170.6
1185x545x282	20.1	1	-	-	5	1.200	0.800	1.570	130.9
1185x545x282	25.1	1	-	-	5	1.200	0.800	1.570	170.6
1185x545x282	20.1	1	-	-	5	1.200	0.800	1.570	130.9





883526
LESS is MORE
White

048159
EASY MOVE WC

881673
EASY MOVE Washbasin

021408
Glass Black

883046
Black glass

883048
Mirror

Committed to developing a safe and comfortable bathroom for all, OLI has several solutions designed for people with reduced mobility, the elderly and children.

The Easy Move range was developed to facilitate the day-to-day at home, in nursing homes, hospitals or shopping center (airports, commercial centers).

ELEGANT MOVEMENT REDEFINED

EASY MOVE WASHBASIN 85
EASY MOVE WC 85

EASY MOVE RANGE



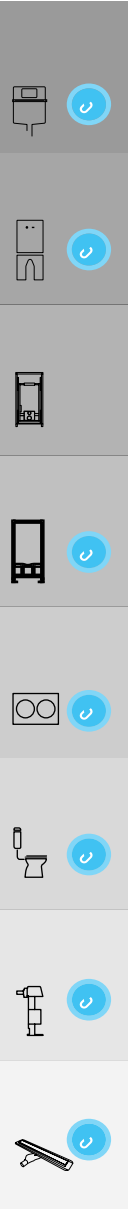
GOOD REASONS TO REDEFINE THE BATHROOM

- It offers a solution that is both aesthetically pleasing and highly functional that allows the user to vary the height of a toilet or washbasin using a remote control.
- Easy Move WC: The frame moves the toilet up to 150mm with the user seated.
- Easy Move Washbasin: The frame moves the washbasin up to 300mm.



EASY MOVE RANGE GIVES OLI THE OSCAR OF WORLD DESIGN

OLI won the IF Design Award 2020, considered the Oscar of world design, in the bathroom category. This distinction recognizes the continuous bet in innovation and design.



Drywall, wall-hung toilet



AC power-mains



Supports up to 400kg



Solid wall, wall-hung toilet



Reduced mobility



Supports up to 150kg



Solid wall-brick lined, and all wall-hung toilets



Drywall, and all wall-hung toilets

EASY MOVE WASHBASIN



WIRELESS REMOTE CONTROL

Easy Move Washbasin allows the user to adjust the height of the washbasin (up to 300mm), using a wireless remote control.



FINISHES AVAILABLE

The product is available in both black and white tempered glass with 6mm of thickness.



HIDDEN SIPHON

For hidden washbasin connections of $\varnothing 32$, this concealed siphon guarantees the maintenance access through magnets.



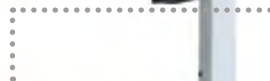
EASY MOVE WASHBASIN



FAST-FIT SYSTEM
3 easy steps



ERGONOMIC SYSTEM
Adjustable in height by 300 mm



INSTALLATION SYSTEM



Solid wall-brick lined,
and all wall-hung
toilets



SUPPORTS UP TO 150KG



HIDDEN SIPHON
Guarantees easy access
for maintenance



**WIRELESS REMOTE
ACTUATION**



EASY MOVE WC



FINISHES AVAILABLE

The product is available in both black and white tempered glass with 6mm of thickness.



FLEXIBLE OUTLET BEND

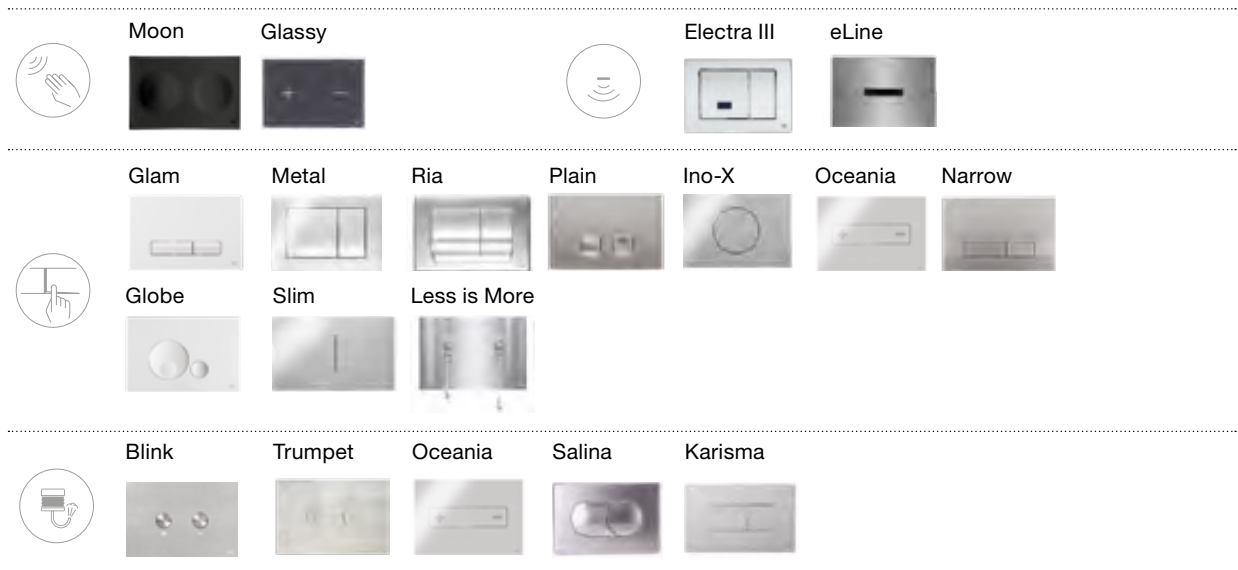
This is the component responsible for connecting the Easy Move to the sewer. Made of EPDM, a resistant plastic to the continuous, with a width of 150mm.

SILENT

The engine exerts a lifting force and the sound of the engine is almost imperceptible during operation. Also the engine is extremely powerful with a thrust of more than 600kg offering maximum reliability. The movement speed is of 28mm per second, allowing the toilet to move quickly along the frame.

Compatibility
Wide range of flush plates

2014 Innovation Award about technologies to support building rehabilitation (Portugal)



EASY MOVE WC



FAST-FIT SYSTEM
Allows a quick and easy adjustment



FINISHES
Tempered glass available in white or black

NO-TOUCH
Wide range of flush plates and actuations: mechanical, pneumatic, electronic and No-Touch



SUPPORTS UP TO 400KG



SUPPORT RAILS
Product is already prepared to receive support bars

INSTALLATION SYSTEM



Solid wall-brick lined, and all wall-hung toilets. Including elongated toilet.



FLEXIBLE OUTLET PIPE
Flexible pipe that accompanies the adjustment of the height of the toilet.



WIRELESS REMOTE ACTUATION



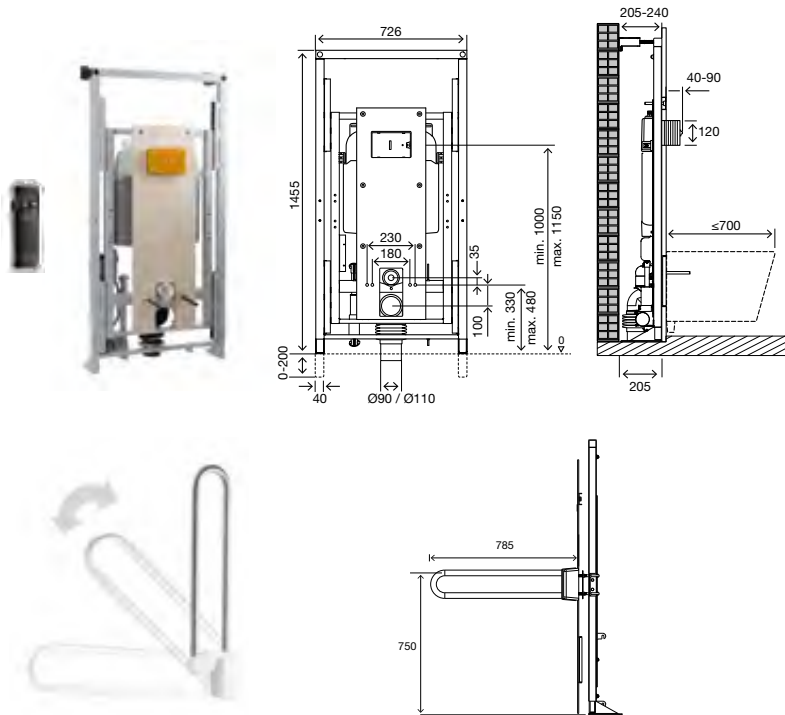


881673
EASY MOVE Washbasin

883046 883048
Black glass Mirror

EASY MOVE

WC



GENERAL FEATURES

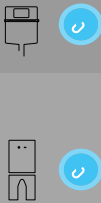
- Adjustable frame with OLI74 Plus dual flush cistern 6/3L;
- Ergonomic system that is adjustable in height by 150mm;
- Silent electric engine;
- Mains supply: 220V/110 (50/60Hz);
- Power: 350 Watt;
- Insulation rating: IP66;
- Movement velocity of: 28mm/s;
- Push power: 6000N (ca 600kgf);
- Traction power 3000N (ca 300kgf);
- Limit switch;
- Frame tested for a 400kg load;
- Easy and quick installation with fast fit system;
- Available tempered glass front cover in black or white (6x400x1345mm);
- Frame and glass are sold separately;
- Flush plate and glass not included.

INCLUDED

- Wireless remote control;
- Wall-fixing material and toilet fixing material;
- Inlet and outlet toilet connection.

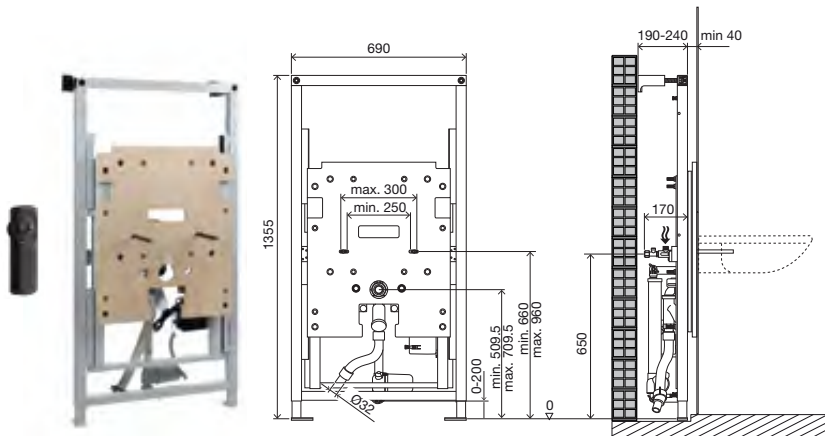


- cod. **048159** EASY MOVE WC
- cod. **021408** Glass Black
- cod. **021409** Glass White
- cod. **879143** Lift-up support rails



EASY MOVE

Washbasin



GENERAL FEATURES

- Adjustable frame for washbasin;
- Ergonomic system that is adjustable in height by 300mm;
- Compatible with the most wall-hung washbasins;
- Silent electric engine;
- Mains supply 220V/110 (50/60Hz);
- Power: 350 W;
- Insulation rating: IP66;
- Movement speed: of 28mm/s;
- Push power: 6000N (ca 600kgf);
- Limit switch;
- Frame tested for a 150kg load;
- Easy and quick installation with fast fit system;
- Available tempered glass front cover in black or white (6x700x810mm);
- Mirror and glass not included.

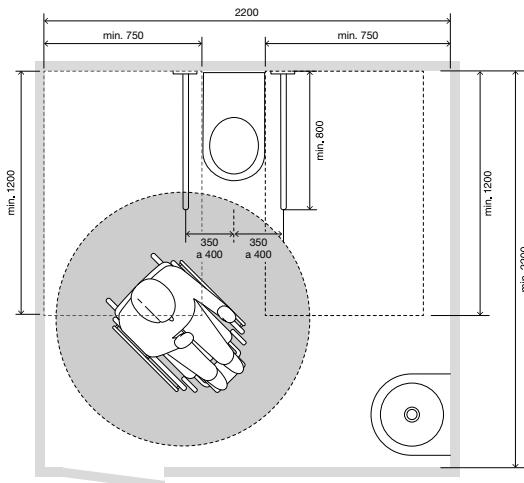
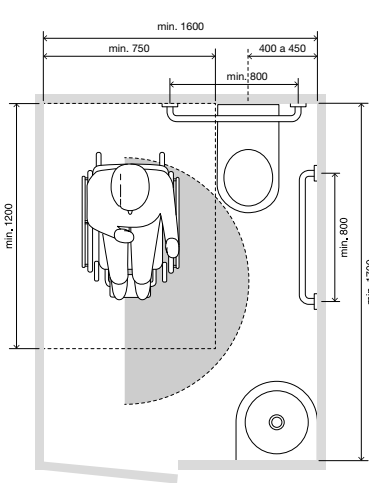
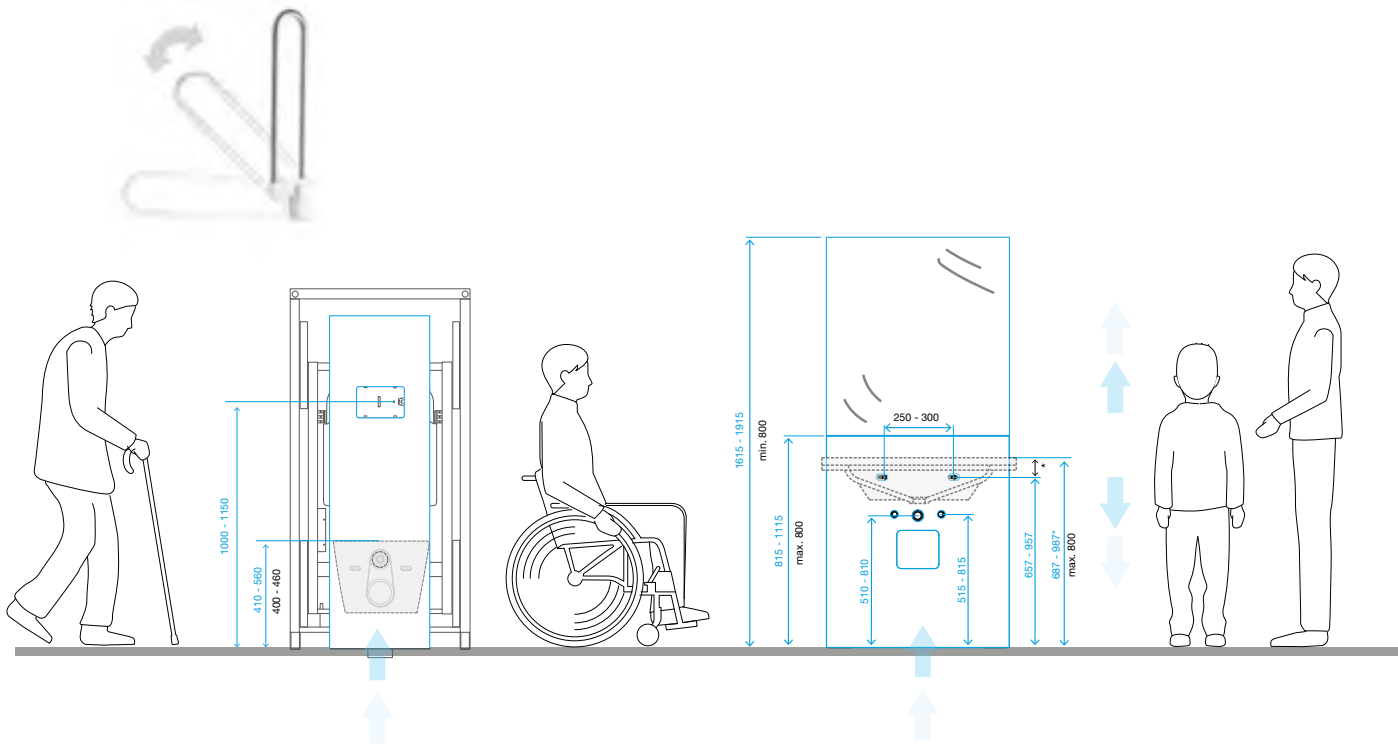
INCLUDED

- Concealed siphon;
- Wireless remote control;
- 2x G 1/2" water connections;
- 2x flexible hoses;
- Wall-fixing material and washbasin fixing material.



- cod. **881673** EASY MOVE Washbasin
- cod. **883045** White glass 6x700x810mm
- cod. **883046** Black glass 6x700x810mm
- cod. **883048** Mirror 6x700x800mm

EASY MOVE RANGE



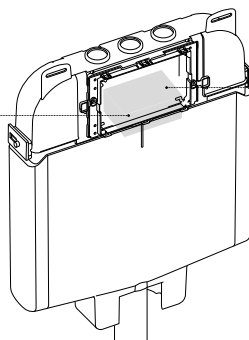
ACCESSORIES - EASY MOVE RANGE



HYDROBOOST CONVERSION KIT

- Uses the energy of water in motion;
- No need to connect to the power grid;
- Suitable for intensive use.

cod. **878285**

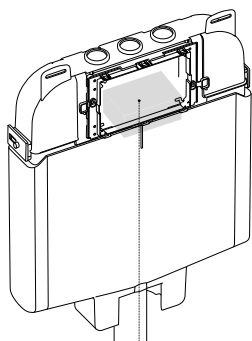


ELECTRONIC CONVERSION KIT

- Pre-installation of the electrical connection is needed;
- Transformer is not supplied;
- Compatible: ELECTRA III flush plate.



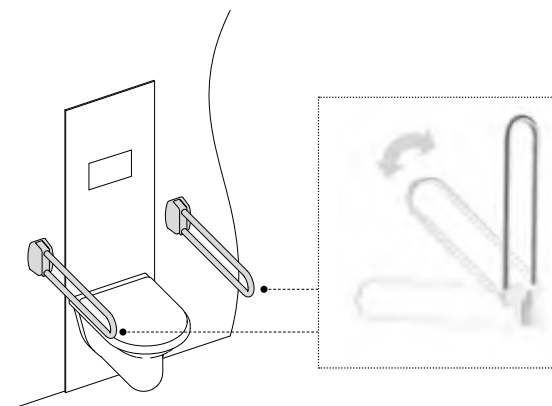
cod. **077754**



AC CONVERSION KIT

- Pre-installation of the electrical connection is needed;
- Transformer is supplied.

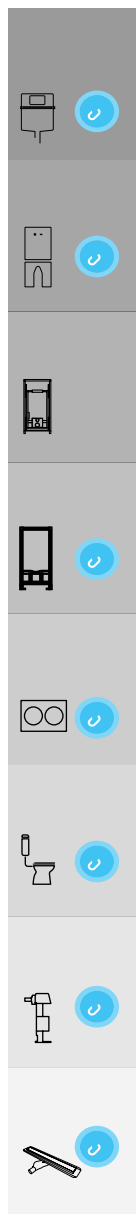
cod. **878292**





LIFT UP SUPPORT RAILS

- Brushed 304 stainless steel tube Ø 30 mm;
- Synthetic resin flange;
- Vertical locking;
- Maximum weight capacity, 120kg;
- Laboratory tests, 225kg.

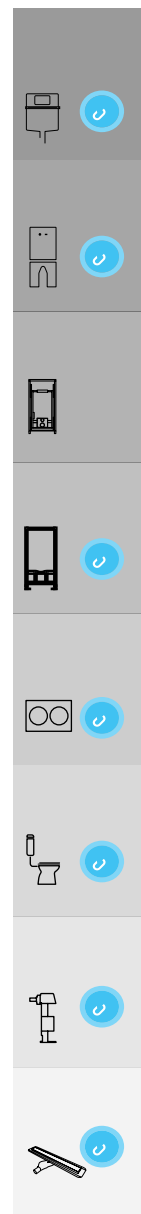
cod. **879143**



PART NUMBER GUIDE - EASY MOVE RANGE

	Glass Black	Glass White	Mirror	Lift-up support rails
EASY MOVE WC 	EASY MOVE WC 048159	EASY MOVE WC 048159	-	879143
EASY MOVE WC Glass	GLASS 021408	GLASS 021409	-	879143
EASY MOVE WASHBASIN 	EASY MOVE WASHBASIN 881673	EASY MOVE WASHBASIN 881673	-	-
EASY MOVE WASHBASIN Glass	GLASS 883046	GLASS 883045	-	
EASY MOVE WASHBASIN Mirror	-	-	883048	-

WxDxH	Weight	Qt.	Multiple Box Dim	Weight	Qty per Pallet	Pallet Height	Pallet Width	Pallet Length	Weight
1490x280x760	41.2	1	-	49	5	1.200	0.800	1.645	246.7
1420x66x495	9.2	1	-	-	8	1.200	0.800	0.850	82.2
1400x250x725	34.0	1	-	42	5	1.200	0.800	1.410	211.0
908x110x813	9.1	1	-	-	5	1.200	0.800	0.710	52.6
908x110x813	1.5	1	-	-	5	1.200	0.800	0.710	27.0





714001
WC Sanitarblock

OLI offers frames that provide safety on the use of wall hung sanitary-ware. Toilets, urinals, bidets or washbasins, any sanitary-ware can be installed in masonry walls or plasterboard walls.













It's directly from OLI's factory equipped that these frames come equip with all additional accessories such as the waste pipe, adaptor and all the fixation materials for the frame and sanitary ware.

IN-WALL FRAMES FOR EVERY CERAMIC SANITARY WARE

FRAMES

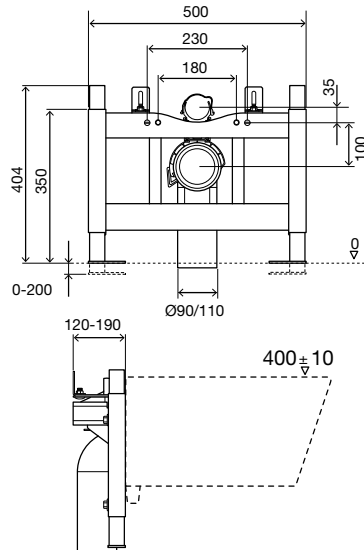
WC SANITARBLOCK	92
WC FREE-STANDING	92
4 WC FIXATION POINTS	92
WC FRAME FOR FLUSH VALVE	93
URINAL SANITARBLOCK	93
ECO URINAL FRAME	93
URINAL DIVIDER	94
EASY STRUCTURE SANITARBLOCK	94
STOP FIRE	94
ECO WC/BIDET	95
BIDET SIMFLEX	95
ECO BIDET SANITARBLOCK	95
BIDET SANITARBLOCK	96
WASHBASIN SIMFLEX	96
WASHBASIN SANITARBLOCK	96
HIDDEN SIPHON	97
SHOWER FRAME	97



-  Solid wall, wall-hung toilet
-  Solid wall, wall-hung urinal
-  Solid wall (rails or urinal dividers)
-  Solid wall, wall-hung bidet
-  Drywall, wall-hung urinal
-  Drywall
-  Drywall, wall-hung toilet
-  One man assembly
-  Stop Fire
-  Drywall wall-hung bidet
-  Economic
-  Supports up to 400kg

WC

Sanitarblock



SPECIFIC FEATURES

- Compatible with wall-hung toilets;
- Solid wall or drywall installation;
- Frame tested for a 400kg load;
- Height adjustable from 0 to 200mm;
- Depth adjustable outlet bend.

INCLUDED

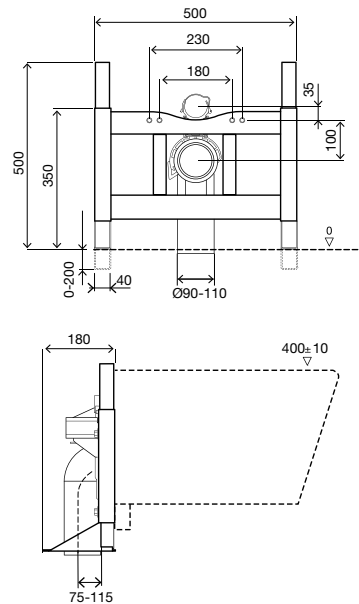
- Toilet fixing material;
- Frame fixing material;
- Outlet bend and Ø90/110 adaptor.



cod. 714001

WC

Free-standing



SPECIFIC FEATURES

- Compatible with wall-hung toilets;
- Drywall installation;
- Frame tested for a 400kg load;
- Height adjustable from 0 to 200mm;
- Depth adjustable outlet bend.

INCLUDED

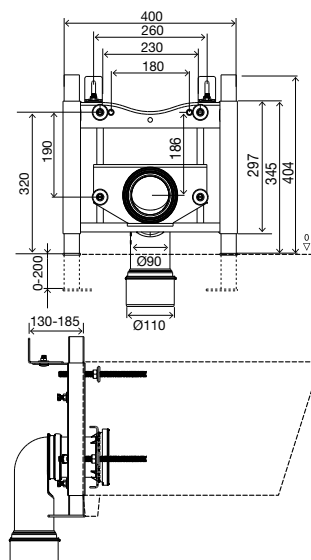
- Toilet fixing material;
- Frame fixing material (floor);
- Outlet bend and Ø90/110 adaptor.



cod. 616042

4 WC FIXATION POINTS

Free-standing



SPECIFIC FEATURES

- Compatible with wall-hung toilets with 4 fixations;
- Axial seal;
- Drywall installation;
- Frame tested for a 400kg load;
- Height adjustable from 0 to 200mm;
- Depth adjustable outlet bend.

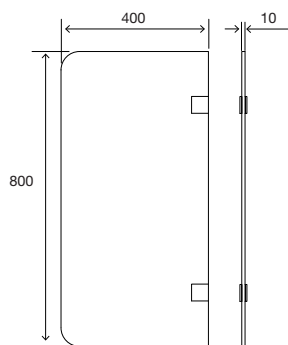
INCLUDED

- Toilet fixing material;
- Frame fixing material (floor);
- Outlet bend and Ø90/110 adaptor;
- Horizontal outlet pipe 250mm.



cod. 879027

URINAL DIVIDER



SPECIFIC FEATURES

- Frosted glass;
- Tempered Glass 8mm thick;
- Stainless steel fixing accessories;
- Fixation directly to the wall, drywall or solid wall;
- Compatible with Easy Structure.

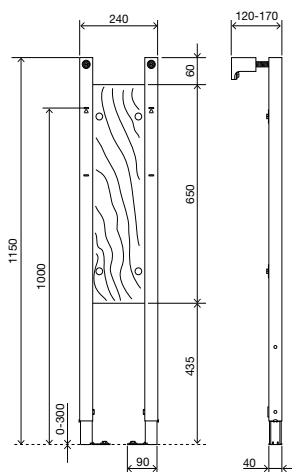
INCLUDED

- Urinal divider fixing material.

cod. 000079

EASY STRUCTURE

Sanitarblock



SPECIFIC FEATURES

- Frame for wall-hung urinal dividers;
- Solid wall or drywall installation;
- Easy and quick installation with Fast-Fit system;
- Adjustable height from 0 to 200mm;
- Reinforced wood panel;
- One man assembly.

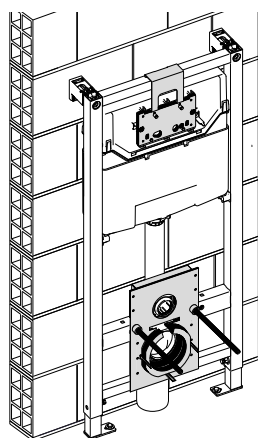
INCLUDED

- Frame fixing material.



cod. 032714

STOP FIRE



SPECIFIC FEATURES

- Application for flush plates and in wall-cisterns;
- Steel painted with polyester powder fitted with special intumescent inserts
- 27% mineral graphite and rated B2 according to DIN 4102;
- Compliant with EN 13501-2:2'16;
- Compatible with: OLI74 Plus, OLI120 Plus, QUADRA Plus and EXPERT Plus*;
- Compatible with: Glam, Narrow, Globe and Plain flush plates.

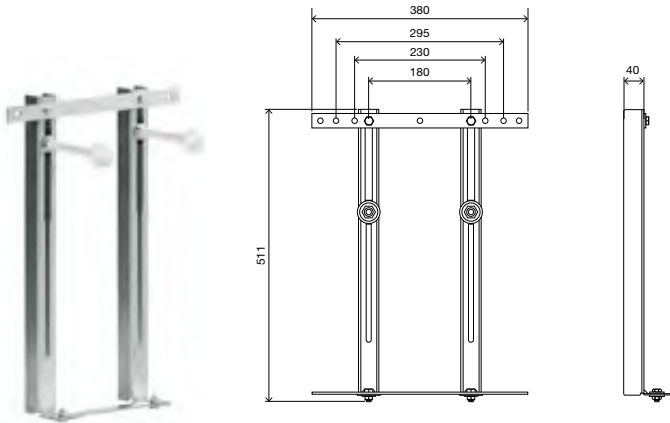
INCLUDED

- Fixation set for application.



cod. 879808

ECO WC/BIDET



SPECIFIC FEATURES

- Frame for wall-hung toilet or bidet;
- Solid wall installation;
- Galvanized frame;
- Adjustable in width.

INCLUDED

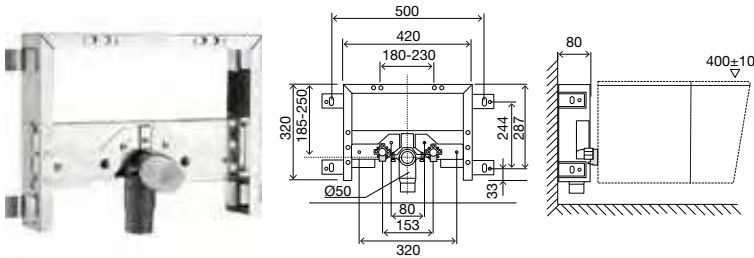
- Toilet/bidet fixing material;
- Frame fixing material.



cod. **883176**

BIDET

Simflex



SPECIFIC FEATURES

- Frame for wall-hung toilet;
- Solid wall installation;
- Galvanized frame;
- Adjustable attachment plate;
- 80mm thick.

INCLUDED

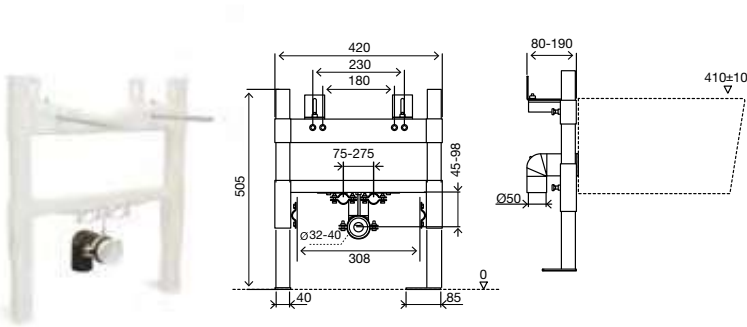
- Bidet fixing material;
- Frame fixing material;
- Outlet bend and Ø40/32-50.



cod. **610010**

ECO BIDET

Sanitarblock



SPECIFIC FEATURES

- Frame for wall-hung bidet;
- Solid wall or drywall installation;
- Frame tested for a 400kg load;
- Adjustable attachment plates;
- 80mm thick.

INCLUDED

- Bidet fixing material;
- Frame fixing material;
- Outlet bend Ø 40 - 32/50.

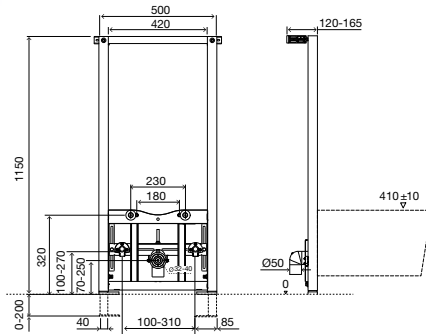


cod. **008908**



BIDET

Sanitarblock



SPECIFIC FEATURES

- Frame for wall-hung bidet;
- Solid wall or drywall installation;
- Easy and quick installation with Fast-Fit system;
- Frame tested for 400kg load;
- Height adjustable from 0 to 200mm;
- Adjustable mounting plates;
- 120mm thick.

INCLUDED

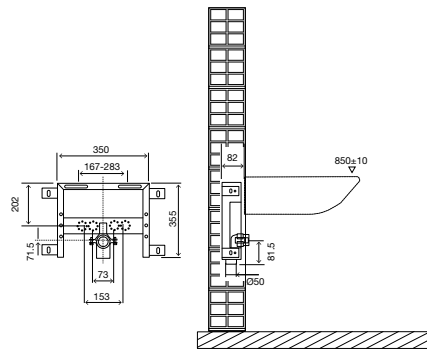
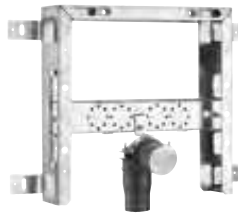
- Bidet fixing material;
- Frame fixing material;
- Outlet bend $\varnothing 40$ mm - 32 / 50mm - 40mm;
- Two G 1/2 fittings for water connection.



cod. 136078

WASHBASIN

Simflex



SPECIFIC FEATURES

- Frame for wall-hung washbasin;
- Solid wall installation;
- Galvanized frame;
- Adjustable attachment plate;
- 80 mm thick.

INCLUDED

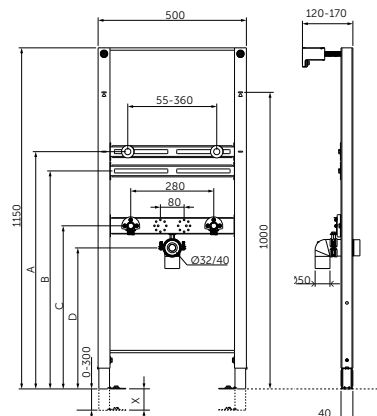
- Fixing material;
- Outlet bend $\varnothing 40$ -32/50-40.



cod. 611011

WASHBASIN

Sanitarblock



SPECIFIC FEATURES

- Frame for wall-hung washbasin;
- Solid or drywall installation;
- Easy and quick installation with Fast Fit system;
- Height adjustable from 0 to 300mm;
- Fully adjustable mounting plates;
- One man assembly;
- 120mm thick.

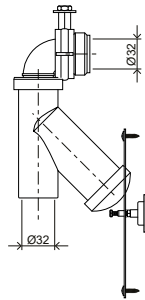
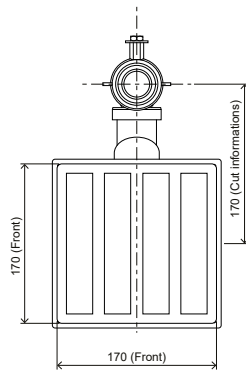
INCLUDED

- Washbasin fixing material;
- Frame fixing material;
- Outlet bend $\varnothing 40$ mm - 32 / 50mm - 40mm;
- Two G 1/2 fittings for water connection.



cod. 881857

HIDDEN SIPHON



SPECIFIC FEATURES

- Hidden siphon for wall-hung washbasin;
- Hidden connections $\varnothing 32$;
- Concealed siphon guarantees the maintenance access through imans;
- Possibility to customize the stainless steel cover plate.

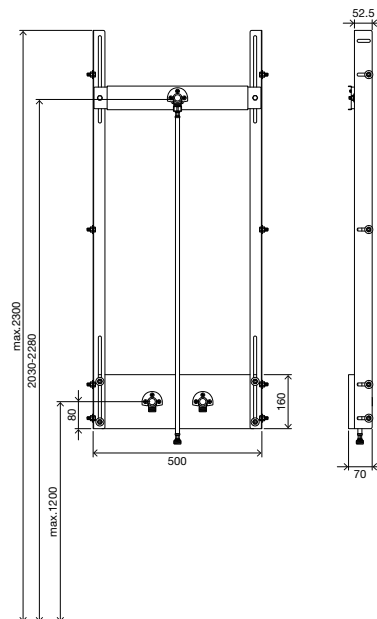
INCLUDED

- Stainless steel plate 170x170mm;
- Outlet bend $\varnothing 32/32$;
- 2 suction cup;
- 4 glue strips.

cod. **883081**

SHOWER FRAME

Sanitarblock



SPECIFIC FEATURES

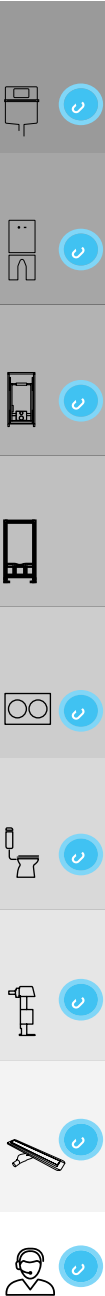
- Frame for shower and taps;
- Solid wall or drywall installation;
- 70mm thick;
- Height adjustable;
- Adjustable attachment plate.

INCLUDED

- 3 water connections F/M $\frac{1}{2}$ "x $\frac{1}{2}$ " with seal and screws;
- Flexible tube F/Mx $\frac{1}{2}$ ";
- Frame fixing material.



cod. **880461**



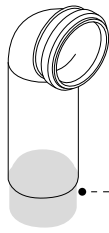
ACCESSORIES - FRAMES



BYPASS CONNECTOR

- Connector between the flush pipe and the outlet bend;
- The flushing can be tested before the toilet is installed.

cod. **885233**



PP OUTLET BEND ADAPTOR

- Connection Ø90/110.

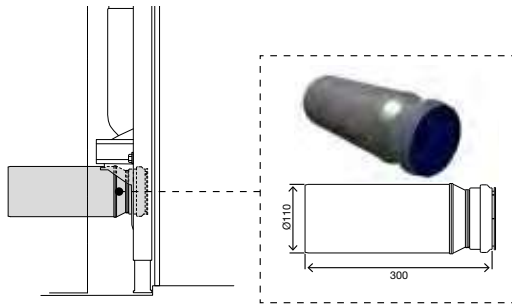
cod. **086360**



WALL TAP/CONCEALED FLUSH VALVE

- Compatible with all taps and urinal; Concealed flush;
- Adjustable mounting wood panel;
- Fixing material.

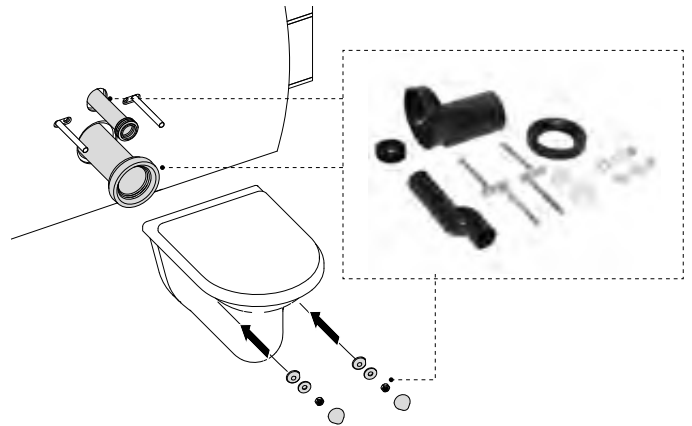
cod. **881858**



HORIZONTAL OUTLET WC

- Length: 300mm;
- Exit Ø110;
- Toilet connection Ø90.

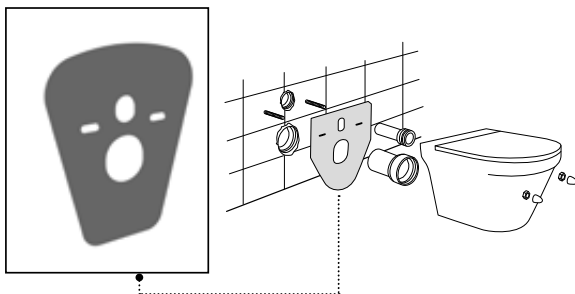
cod. **108380**



ECCENTRIC SET CONNECTION 25MM

- Accessory sets to enable the correction of incorrect applications;
- Toilet connection Ø90;
- Connection WC pipe Ø45x180.

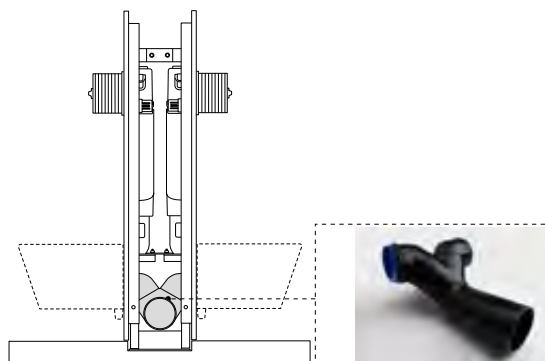
cod. **885108**



ACCOUSTIC INSULATION FOR WALL-HUNG TOILET OR BIDET

- Acoustic insulation in expanded polyethylene;
- Avoids direct contact between the sanitaryware and the tile.

cod. **620071**

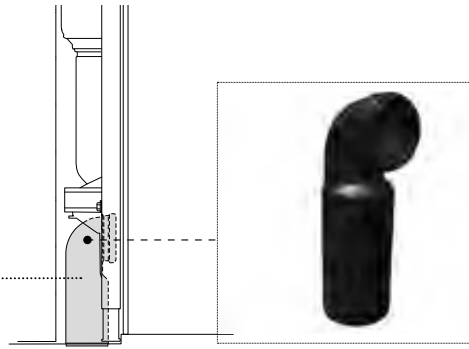


DOUBLE OUTLET BEND

- Double outlet bend for wall-hung toilets with horizontal installation.

cod. **622022** 90/110

cod. **622023** 110/110



WC OUTLET BEND

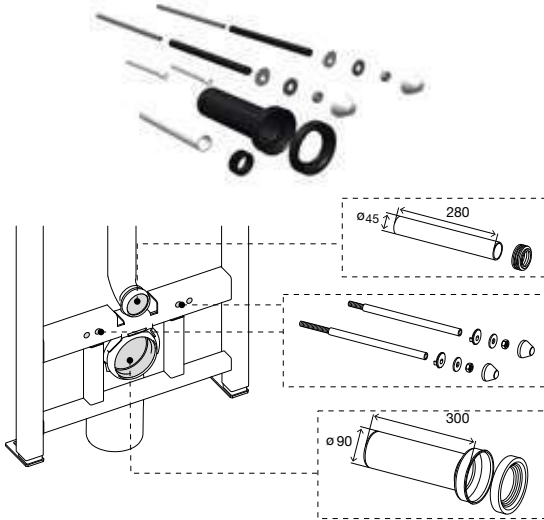
- WC outlet bend for wall-hung toilets;
- Length: 300mm;
- Exit Ø110;
- Toilet connection Ø90.

cod. **036888**

WC OUTLET BEND

- WC outlet bend for wall-hung toilets;
- L:340mm;
- Exit Ø90;
- Toilet connection Ø90.

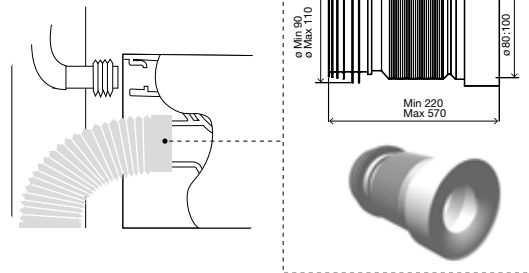
cod. **622002**



LONGER SLEEVES FOR WALL HUNG TOILETS

- Outlet pipe Ø90xØ125x300;
- Rubber seal for outlet pipe Ø125;
- Connection WC pipe Ø45x280;
- Rubber seal for WC pipe Ø45;
- M12x300 rods for wall-hung toilets fixation;
- Counter plate fixation screws;
- Toilet fixing material.

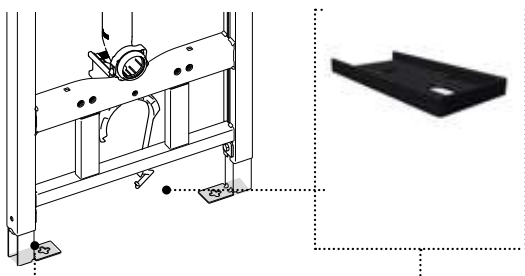
cod. **011229**



FLEXIBLE OUTLET WC

- Flexible connection;
- Length: Min 220mm/ Max 570mm;
- Exit Ø90/110;
- Toilet connection Ø80/100.

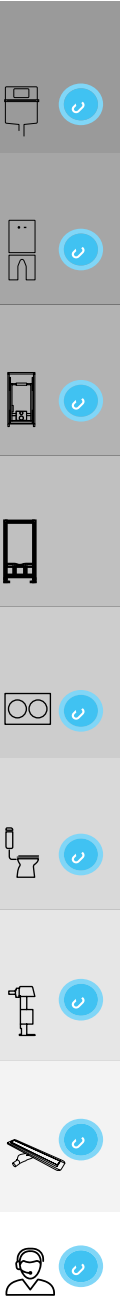
cod. **079929**











ACCOUSTIC INSULATION

- 2 protections set for sanitaryblock frames.

cod. **167288**


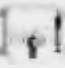







PART NUMBER GUIDE - FRAMES

	WC	BIDET	WASHBASIN	URINAL
WC Sanitarblock 	714001	-	-	-
WC Free-standing 	616042	-	-	-
WC 4 fixations 	879027	-	-	-
WC frame 	880462	-	-	-
Urinal Sanitarblock 	-	-	-	136179
Eco Urinal 	-	-	-	879116
Urinal divider 	-	-	-	000079
Easy frame structure 	-	-	-	032714

WxDxH	Weight	Qt.	Multiple Box Dim	Weight	Qty per Pallet	Pallet Height	Pallet Width	Pallet Length	Weight
625x172x450	8.0	1	-	8	36	1.200	0.800	1.960	288.0
535x211x540	10.9	1	-	12	28	1.200	0.800	2.320	329.5
535x211x540	10.8	1	-	12	28	1.200	0.800	2.320	338.3
1180x140x530	12.4	1	-	14	20	1.200	0.800	2.350	274.7
1175x96x550	3.6	1	-	5	32	1.200	0.800	2.520	161.0
800x170x100	4.5	1	-	5	56	1.200	0.800	0.960	273.1
-	0.0	1	-	-	0	0.000	0.000	0.000	0.0
1200x65x260	1.2	1	-	3	48	1.200	0.800	1.370	143.6

PART NUMBER GUIDE - FRAMES

	WC	BIDET	WASHBASIN	URINAL
Eco Wc/Bide 	883176		-	-
Bidet 	-	610010	-	-
Eco bidet 	-	008908	-	-
Bidet Sanitarblock 	-	136078	-	-
Washbasin Simflex 	-	-	611011	-
Washbasin Sanitarblock 	-	-	881857	-
Shower frame 	880461	-	-	-

FLUSH PLATES



The wide range of OLI flush plates are characterized by their versatility and durability. Designed with cutting edge technology they are suitable for all bathrooms, whether they are public or private bathrooms.















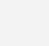


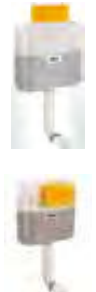








OLI has the perfect flush plate for any situation. From infrared sensors that allow flushing without having to touch the flush plate to models that are highly resistant and vandal proof for public bathrooms.



COMPATIBILITY MATRIX

MECHANICAL
VERSION



	some versions compliant with	LESS IS MORE	INO-X	OCEANIA	SLIM	GLOBE	GLAM	NARROW	PLAIN	RIA	RIA STOP	METAL	
 OLI120 PLUS	     	Minimum 10mm	-	-	Minimum 15mm	Minimum 15mm	Minimum 15mm	Minimum 15mm	Minimum 15mm	Minimum 10mm	Minimum 10mm	Minimum 0mm	
 OLI174 PLUS	      	Minimum 5mm	Minimum 0mm	Minimum 5mm	Minimum 0mm	Minimum 5mm	Minimum with OLIPURE 5mm	Minimum with OLIPURE 5mm	Minimum 5mm	Minimum 0mm	Minimum 0mm	Minimum 0mm	
 OLI80		-	-	-	Minimum 5mm	-	-	-	-	Minimum 0mm	-	Minimum 0mm	
 EXPERT PLUS	     	TOP											
		FRONT											
 QUADRA PLUS		Minimum 15mm	Minimum 15mm	Minimum 15mm	Minimum 15mm	Minimum 10mm	Minimum 10mm	Minimum 10mm	Minimum 10mm	Minimum 15mm	Minimum 5mm	Minimum 5mm	

NOTE: The measurements mentioned in the table above, refer to the minimum wall thickness.
Example: Flush plate Globe, in the in-wall cistern OLI120 Plus needs a minimum front wall thickness of 15mm.

*Expert PLUS – Front Application: ok
Expert PLUS – Top Application: See kit code 211743.

PNEUMATIC
VERSION



TRUMPET BLINK OCEANIA KARISMA SM15 SALINA

ELECTRONIC
VERSION



MOON GLASSY eLINE ELECTRA III

Minimum 5mm Minimum 5mm Minimum 45mm Minimum 25mm Minimum 25mm Minimum 25mm

Minimum 10mm Minimum 10mm Minimum 5mm Minimum 10mm

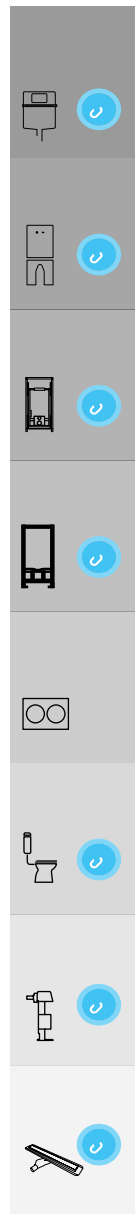
Minimum 5mm Minimum 5mm Minimum 20mm Minimum 25mm Minimum 0mm Minimum 0mm

Minimum 10mm Minimum 10mm Minimum 5mm Minimum 0mm

Minimum 0mm Minimum 0mm Minimum 35mm Minimum 10mm Minimum 0mm Minimum 10mm

Minimum 0mm Minimum 0mm Minimum 5mm Minimum 0mm Minimum 0mm Minimum 0mm

Minimum 0mm Minimum 0mm Minimum 5mm Minimum 0mm Minimum 0mm Minimum 10mm










FLUSH PLATES

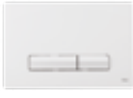










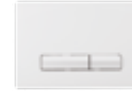

MECHANICAL VERSION









LESS IS MORE Stainless Steel				INO-X 02 Stainless Steel	INO-X 06 Stainless Steel
					
883526 White □	883524 Polished chrome □	883525 Brushed □	883527 Black ■	660002 Polished chrome □	661006 Brushed □

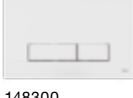
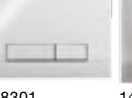
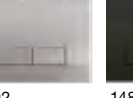
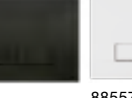





OCEANIA Stainless Steel Glass							OCEANIA MIA
							
054564 Mech - Brushed □	054554 Mech White □	054557 Mech Black ■	054562 Mech ■ + □	054558 Mech □ + □	054561 Mech - Polished chrome □	882412 Mech - white gold ■	054563 MIA mech (customizable) □

SLIM ABS							
							
659042 White matte □	659044 Polished chrome □	659046 Matt chrome □	659056 Black matte ■	659058 Grey matte □	154962 Gold plated ■	057141 Inox □	659041 White □

GLOBE ABS						
						
152949 White □	152950 Polished chrome □	152951 Matt chrome □	152952 Black soft-touch ■	152953 Grey soft-touch □	152954 Gold plated ■	885464 White Antibacterial □

GLAM ABS					RIA ABS		
							
139178 White OLIpure Antibacterial □	139179 Polished chrome OLIpure □	139180 Matt chrome OLIpure □	139181 Black soft-touch OLIpure ■	139184 White □	640591 White Antibacterial □	640584 Polished chrome □	640586 Matt chrome □
							
139185 Polished chrome □	139186 Matt chrome □	139187 Black soft-touch ■	885578 White Antibacterial □	010230 White □			

PLAIN ABS				METAL Zamac		RIA START -STOP ABS	
							
070826 White □	070827 Polished chrome □	070828 Matt chrome □	070829 Black soft-touch ■	656004 Polished chrome □	656006 Matt chrome □	010234 White □	010244 Polished chrome □

NARROW ABS								
								
148300 White OLIpure Antibacterial □	148301 Polished chrome OLIpure □	148302 Matt chrome OLIpure □	148303 Black soft-touch OLIpure ■	885576 White Antibacterial □	152939 White □	152940 Polished chrome □	152941 Matt chrome □	152942 Black soft-touch ■

PNEUMATIC VERSION

TRUMPET Stainless Steel					SALINA ABS			
046199 Polished chrome ☐	046198 Brushed ☐	878783 White gold ■	883245 Gold plated ■	887609 Copper ■	640081 White ☐	640084 Polished chrome ☐	640086 Matt chrome ☐	640097 Black ■

OCEANIA Stainless Steel Glass						OCEANIA MIA
054988 Pneu - Brushed ☐	054989 Pneu White ☐	054992 Pneu Black ■	054996 Pneu Black ■ + ☐	054993 Pneu White ☐ + ☐	054998 Pneu Polished chrome ☐	054997 MIA pneu (customizable) ☐

BLINK Stainless Steel							
216622 White ☐	154963 Polished chrome ☐	093399 Brushed ☐	882567 Gun Metal ☐	878490 Black ■	878781 White gold ■	883246 Gold plated ■	887610 Copper ■

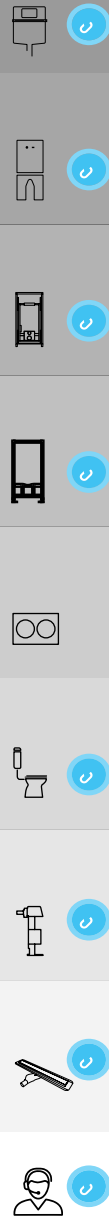
SM15 Glass 022238 White tempered glass ☐	KARISMA ABS 641001 White ☐ 641004 Polished chrome ☐ 641006 Matt chrome ☐ 641015 Black soft-touch ■				EASY DUAL ABS 011640 White ☐
--	--	--	--	--	--

ELECTRONIC VERSION

MOON Ceramic 878848 White ☐ 878981 Black ■		GLASSY Glass 878849 White ☐ 878850 Black ■ 878702 Anthracite ☐ 878701 Taupe ■				eLINE Stainless Steel 880876 Brushed ☐ 883585 Radio ☐	ELECTRA III Zamac 079206 Polished chrome zamac ☐
--	--	---	--	--	--	---	--

URINAL

eAQUA URINAL Stainless Steel 879120 Brushed Stainless steel AC ☐ 879119 Brushed Stainless steel BATT ☐	BLINK URINAL Stainless Steel 882264 Polished chrome zamac ☐	SM15 URINAL Glass 034265 White tempered glass ☐	GLOBE URINAL ABS 878466 White ☐ 878818 Polished chrome ☐ 878819 Matt chrome ☐ 878822 Gold plated ■ 885080 White Antibacterial ☐		
--	---	---	---	--	--





887610
BLINK
Cooper

MECHANICAL

LESS IS MORE	112
INO - X	113
OCEANIA	114
OCEANIA MIA	114
GLOBE	115
PLAIN	115
SLIM	116
GLAM	116
NARROW	116
RIA	117
RIA STOP	117
METAL	117

PNEUMATIC

TRUMPET	118
BLINK	119
SM15	120
OCEANIA	121
OCEANIA MIA	121
KARISMA	122
SALINA	122
SEAMLESS	123
INSPECTION PLATE	123
PNEUMATIC ACTUATOR	124
SPHERA	124
PNEUMATIC ACTUATOR	125
MINI TREND	125
MONO TREND	125
FOOT CONTROL FLOOR	126
FOOT CONTROL WALL	126
EASY DUAL	12

NO-TOUCH ELETRONIC

GLASSY	127
MOON	128
eLINE	129
ELECTRA III	129

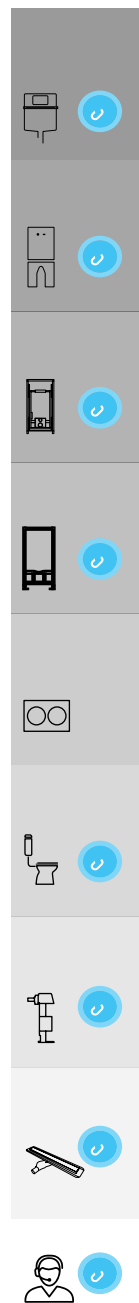
URINAL

BLINK URINAL	130
SM15 URINAL	131
GLOBE URINAL	131
eAQUA URINAL	133

FLUSH PLATES

In different shapes, finishes and actuations OLI presents a diverse range of flush plates where design and functionality come together to make the bathroom a pleasant space.

From flush plates with infrared sensors to flush plates made of ceramic, plastic or tempered glass, OLI has solutions for different styles, preferences and atmospheres.



Mechanic actuation



Pneumatic actuation



Capacitive sensor



100% Hygienic



Electronic actuation



AC power-mains



Vandal resistance



Reduced mobility



Hydroboost



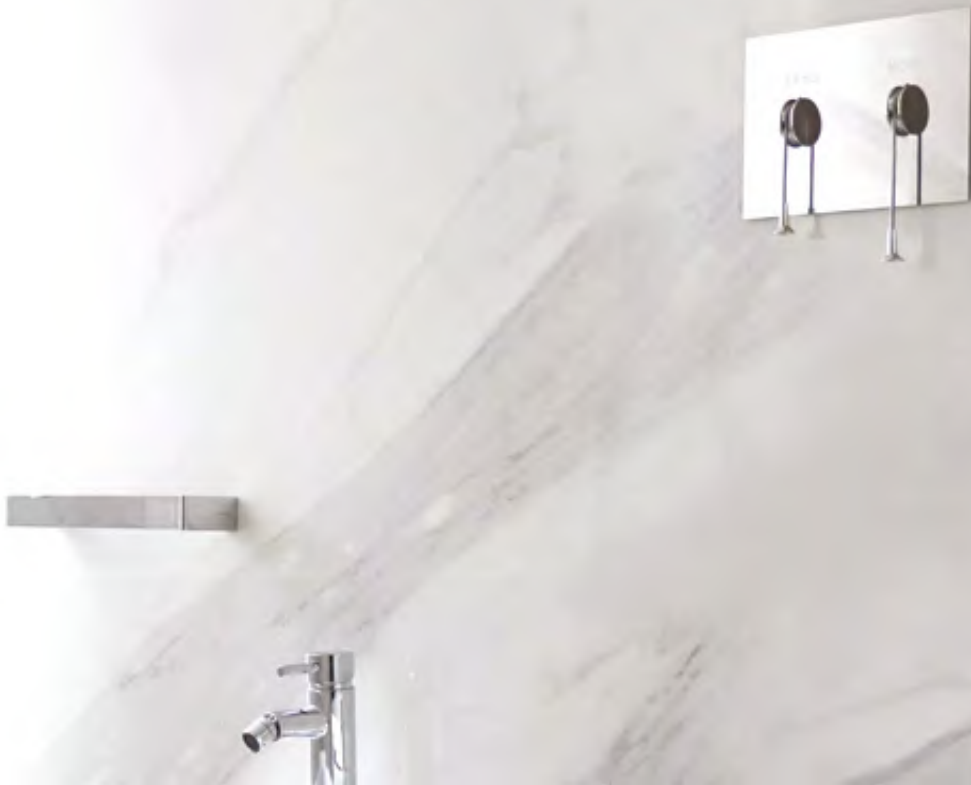
Single flush



OLIpure

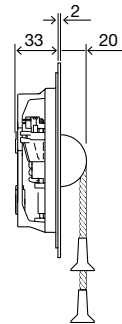
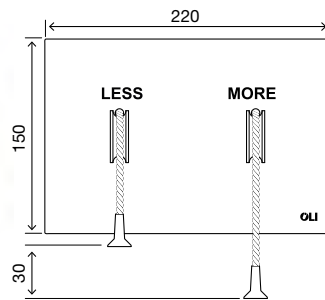


Public Spaces



LESS IS MORE

Mechanical flush plate



GENERAL FEATURES

- Design by Architect Alessio Pinto;
- Stainless steel, black, white, brushed or polished;
- Nylon cords on grey;
- Mechanical actuation;
- Front application;
- Low actuation force <17 N;
- 2mm thick.



- cod. **883527** Black
- cod. **883525** Brushed
- cod. **883524** Polished chrome
- cod. **883526** White



ALESSIO PINTO

Alessio Pinto architect designed this amazing flush plate. Born in Rome on the 12th of July 1968, Alessio Pinto architect states:

"At a glance we realise the meaning of Plus and Minus. All it takes is viewing the cords as analog signs"

Alessio Pinto

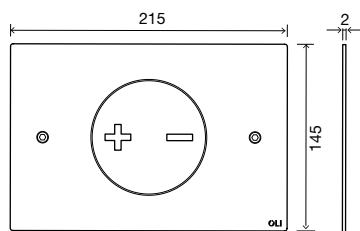


INO-X

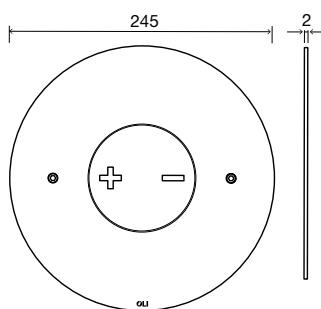
Mechanical flush plate



INO-X 02



INO-X 06



GENERAL FEATURES

- Designed by Architect Romano Adolini;
- Stainless steel material;
- Mechanical actuation;
- Actuation force < 20 N;
- Tilttable button;
- Vandal resistant;
- 2mm thick.



cod. **660002** Polished chrome

cod. **661006** Brushed



ROMANO ADOLINI

The Ino-x flush plate collection was designed by Romano Adolini, an Italian architect and designer who is an influential figure in bathroom design.

"A simple sheet of steel that is only 2mm thick cut with a precise laser".

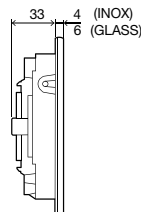
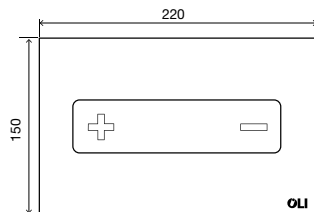
Romano Adolini





OCEANIA

Mechanical flush plate



GENERAL FEATURES

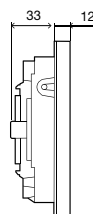
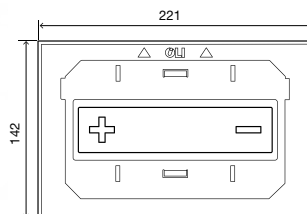
- Stainless steel or tempered glass material;
- Mechanical actuation;
- Actuation force < 20 N;
- Tilttable button;
- Vandal resistant;
- Different combinations of materials and finishes;
- 4mm thick (steel);
- 6mm thick (glass).



- cod. **054557** Glass Black
- cod. **054554** Glass White
- cod. **054564** Stainless steel - Brushed
- cod. **054561** Stainless steel - Polished chrome
- cod. **054562** Stainless steel button - glass Black
- cod. **054558** Stainless steel button - glass White
- cod. **882412** Stainless steel Gold

OCEANIA MIA

Mechanical flush plate

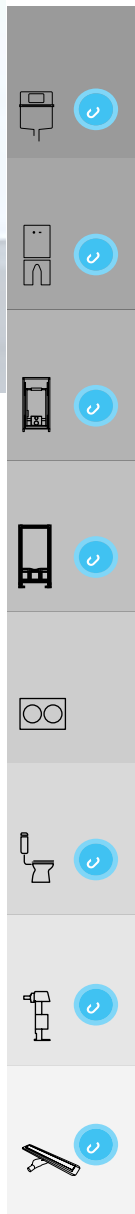


GENERAL FEATURES

- Customizable flush plate;
- 10mm material thick for the finishing;
- Stainless steel frame;
- Different finishing possibilities;
- Mechanic actuation;
- Actuation force < 20 N;
- Tilttable button;
- Vandal resistant;
- 12mm thick.

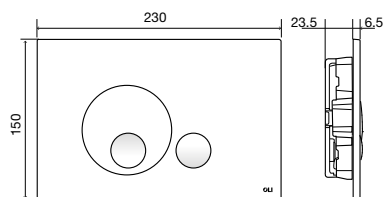


- cod. **054563** mech (customizable)



GLOBE

Mechanical flush plate



GENERAL FEATURES

- ABS: high resistance to scratches;
- Mechanical actuation;
- Actuation force < 20 N;
- 6.5mm thick;
- Anti-bacterial finish available.



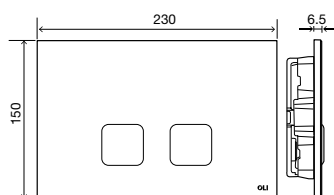
- cod. **152952** Black soft-touch
- cod. **152954** Gold plated
- cod. **152953** Grey soft-touch
- cod. **152951** Matt chrome
- cod. **152950** Polished chrome
- cod. **152949** White
- cod. **885464** White Antibacterial

Matching urinal flush plate also available. (See page 131 for more information)



PLAIN

Mechanical flush plate



GENERAL FEATURES

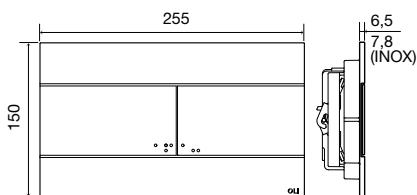
- ABS: high resistance to scratches;
- Mechanical actuation;
- Actuation force < 20 N;
- 6.5mm thick.



- cod. **070829** Black soft-touch
- cod. **070828** Matt chrome
- cod. **070827** Polished chrome
- cod. **070826** White

SLIM

Mechanical flush plate



GENERAL FEATURES

- ABS: high resistance to scratches;
- Mechanical actuation;
- Actuation force < 20 N;
- 6.5mm thick.

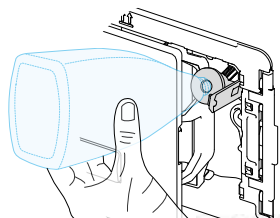
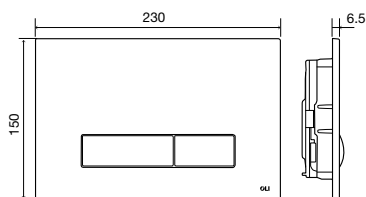
GENERAL FEATURES SLIM INOX

- ABS with brushed Stainless steel cover;
- Higher resistance to scratches;
- 7.8 mm thick.

- cod. **659056** Black matte
- cod. **154962** Gold plated
- cod. **659058** Grey matte
- cod. **057141** Inox
- cod. **659046** Matt chrome
- cod. **659044** Polished chrome
- cod. **659041** White
- cod. **659042** White matte
- cod. **883640** Antivandalic locker

GLAM

Mechanical flush plate



OLIPURE IS A CLOSED STORAGE SYSTEM THAT WITH EACH FLUSH RELEASES A CONTROLLED AMOUNT OF CLEANER INTO THE TOILET.

This reduces the risk of the disinfectant damaging components in the cistern.

GENERAL FEATURES

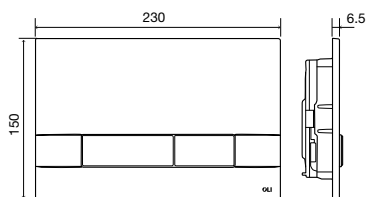
- ABS: high resistance to scratches;
- Mechanical actuation;
- OLipure compatible version;
- Actuation force < 20 N;
- 6.5mm thick;
- Anti-bacterial finish available.



- cod. **139187** Black soft-touch
- cod. **139181** Black soft-touch OLipure
- cod. **139186** Matt chrome
- cod. **139180** Matt chrome OLipure
- cod. **139185** Polished chrome
- cod. **139179** Polished chrome OLipure
- cod. **139184** White
- cod. **885578** White Antibacterial
- cod. **139178** White OLipure Antibacterial

NARROW

Mechanical flush plate



GENERAL FEATURES

- ABS: high resistance to scratches;
- Mechanical actuation;
- OLipure compatible version;
- Actuation force < 20 N;
- 6.5mm thick;
- Anti-bacterial finish available.

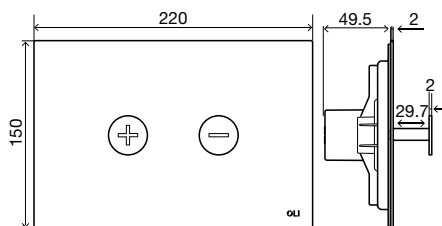


- cod. **152942** Black Soft-Touch
- cod. **148303** Black soft-touch OLipure
- cod. **152941** Matt chrome
- cod. **148302** Matt chrome OLipure
- cod. **152940** Polished chrome
- cod. **148301** Polished chrome OLipure
- cod. **152939** White
- cod. **885576** White Antibacterial
- cod. **148300** White OLipure Antibacterial



TRUMPET

Pneumatic flush plate



GENERAL FEATURES

- Designed by Architect Siza Vieira;
- Stainless steel material;
- Pneumatic actuation;
- Actuation force <20N;
- 2mm thick.



- cod. **883245** Gold plated
- cod. **878783** Gold plated
- cod. **887609** Copper
- cod. **046198** Brushed
- cod. **046199** Polished chrome



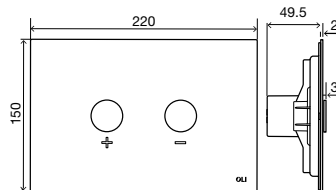
"I am very pleased with the prestigious "Best of Category 2016" award for the Trumpet flush plate. The quality achieved is due to the competent and committed contribution of the technicians at OLI. It was a pleasure to evolve the design of the flush plate with them."

Álvaro Siza
 Álvaro Siza



BLINK

Pneumatic flush plate



GENERAL FEATURES

- Stainless steel material;
- Pneumatic actuation;
- Actuation force <20N;
- 2mm thick.



- cod. **883246** Gold plated
- cod. **878490** Black
- cod. **887610** Copper
- cod. **093399** Brushed
- cod. **154963** Polished chrome
- cod. **216622** White
- cod. **878781** White Gold plated
- cod. **882567** Gun Metal

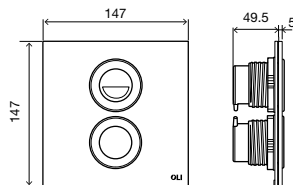
Matching urinal flush plate also available. (See page 130 for more information)





SM15

Pneumatic flush plate



GENERAL FEATURES

- Designed by Architect Souto de Moura;
- White tempered glass material;
- Installation in the surface wall with 150x150mm tiles;
- Pneumatic actuation;
- Actuation force <20N;
- 5mm thick.



cod. **022238** White tempered glass

Matching urinal flush plate also available. (See page 131 for more information)

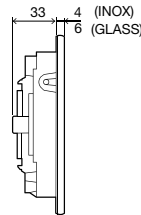
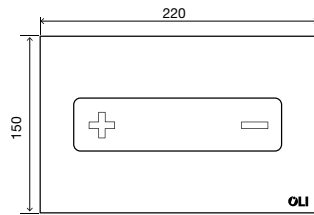


SOUTO DE MOURA

Souto de Moura is a renowned Portuguese architect who has been presented with various international awards, such as, the Gold Medal of Heinrich Tessenow Foundation in 2001; the Pritzker Award in 2011; the Wolf Prize of Arts in 2013; just to name a few.

OCEANIA

Pneumatic flush plate



GENERAL FEATURES

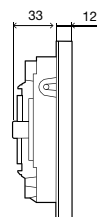
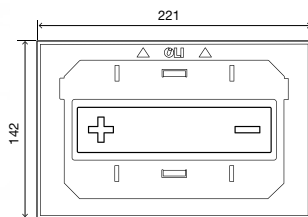
- Stainless steel or tempered glass material;
- Mechanical actuation;
- Actuation force < 20 N;
- Tilttable button;
- Vandal resistant;
- Different finishing possibilities and combinations:
 - 4mm thick (steel);
 - 6mm thick (glass).



- cod. **054992** Glass Black
- cod. **054989** Glass White
- cod. **054988** Stainless steel - Brushed
- cod. **054996** Stainless steel - glass Black
- cod. **054993** Stainless steel - glass White
- cod. **054998** Stainless steel - Polished chrome

OCEANIA MIA

Pneumatic flush plate



GENERAL FEATURES

- Customizable flush plate;
- 10mm material thick for the finishing;
- Stainless steel frame;
- Different finish possibilities;
- Pneumatic actuation;
- Actuation force < 20 N;
- Tilttable button;
- Vandal resistant;
- 12mm thick.

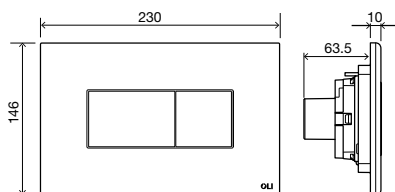
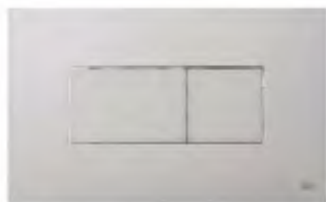


- cod. **054997**



KARISMA

Pneumatic flush plate



GENERAL FEATURES

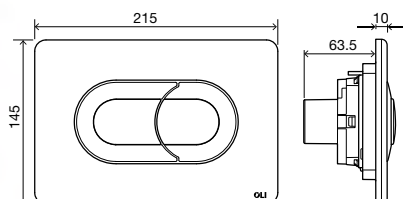
- ABS: high resistance to scratches;
- Pneumatic actuation;
- Actuation force < 20 N;
- 10mm thick.



- cod. **641006** Matt chrome
- cod. **641004** Polished chrome
- cod. **641001** White
- cod. **641015** Black soft-touch

SALINA

Pneumatic flush plate



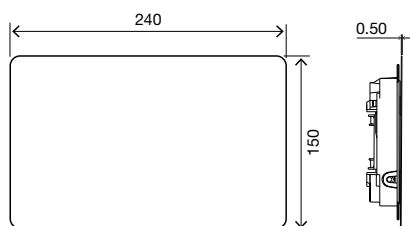
GENERAL FEATURES

- ABS: high resistance to scratches;
- Pneumatic actuation;
- Actuation force < 20 N;
- 10mm thick.



- cod. **640097** Black soft-touch - Polished chrome button
- cod. **640086** Matt chrome
- cod. **640084** Polished chrome
- cod. **640081** White

SEAMLESS



GENERAL FEATURES

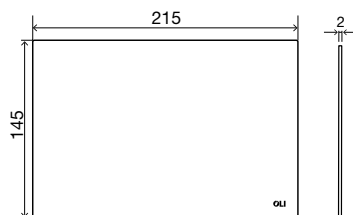
- Inspection plate;
- Stainless steel material;
- Customize with your preferred finish;
- Compatible with pneumatic in-wall cisterns;
- Vandal resistant;
- 0.5mm thick.



cod. **880390** Brushed



INSPECTION PLATE

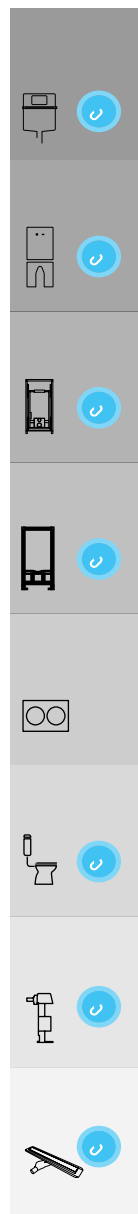


GENERAL FEATURES

- Inspection plate;
- Stainless steel material;
- Compatible with pneumatic in-wall cisterns;
- Vandal resistant;
- 2mm thick.

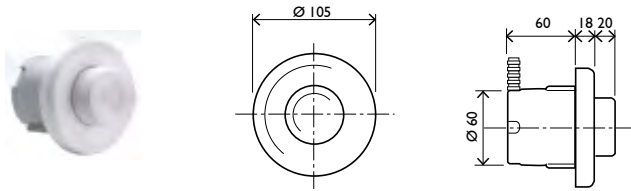


cod. **207893** Brushed
 cod. **207892** Chrome



PNEUMATIC ACTUATOR*

In-wall salient pneumatic button



GENERAL FEATURES

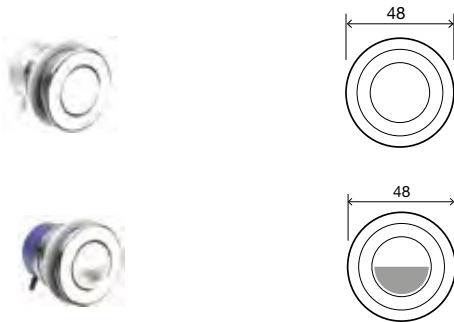
- White ABS material;
- Single flush;
- Pneumatic actuation;
- An inspection plate should be applied to ensure the acces to the cistern;
- 38mm thick.



cod. **718063** White

SPHERA*

Pneumatic flush plate button



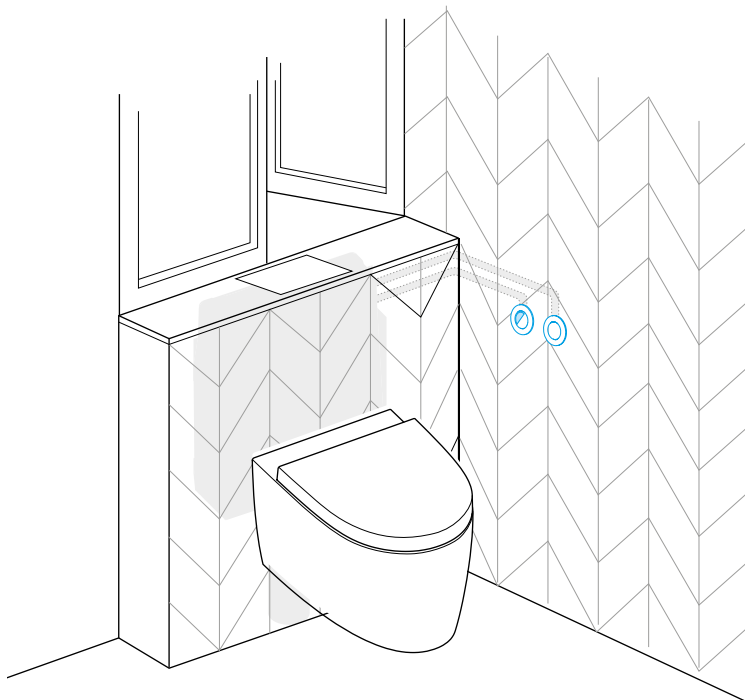
GENERAL FEATURES

- Polished chrome ABS material;
- Single flush;
- Pneumatic actuation;
- For drywall installations;
- An inspection plate should be applied to ensure the acces to the cistern*;
- 2mm thick.



cod. **605274** SPHERA -

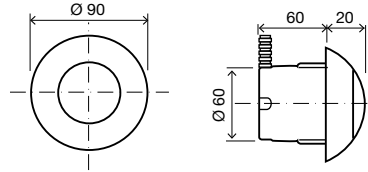
cod. **605264** SPHERA +



* Not meant to be used in the opening of the in-wall cistern. An inspection plate (see page 123) should be applied to ensure access to the cistern. Pre-installation necessary.

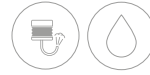
PNEUMATIC ACTUATOR*

In-wall pneumatic push button



GENERAL FEATURES

- White ABS material;
- Single flush;
- Pneumatic actuation;
- An inspection plate should be applied to ensure the access to the cistern;
- 20mm thick.

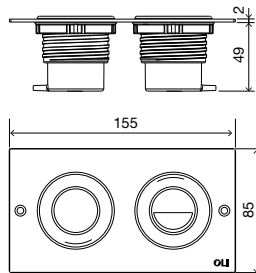


cod. **605001** White

cod. **605004** Polished chrome

MINI TREND*

Pneumatic flush plate



GENERAL FEATURES

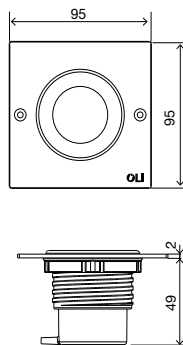
- Polished chrome stainless steel material;
- Pneumatic actuation;
- For drywall installations;
- Vandal resistant;
- Pneumatic connectors supplied;
- An inspection plate should be applied to ensure the access to the cistern*;
- 2mm thick.



cod. **605294** Polished chrome

MONO TREND*

Pneumatic flush plate



GENERAL FEATURES

- Polished chrome stainless steel material;
- Single flush;
- Pneumatic actuation;
- For drywall installations;
- Vandal resistant;
- An inspection plate should be applied to ensure the access to the cistern*;
- 2mm thick.

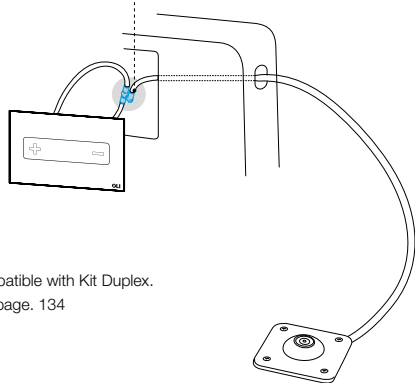
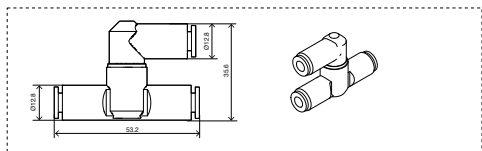
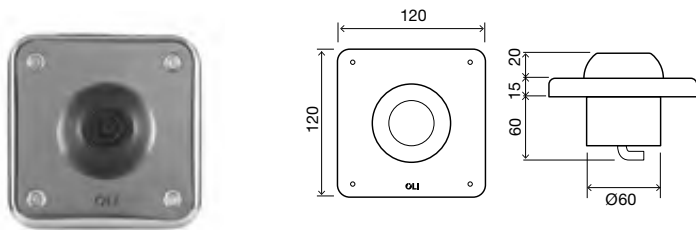


cod. **605254** Polished chrome



FOOT CONTROL FLOOR

Pneumatic flush plate



Compatible with Kit Duplex.
See page. 134

GENERAL FEATURES

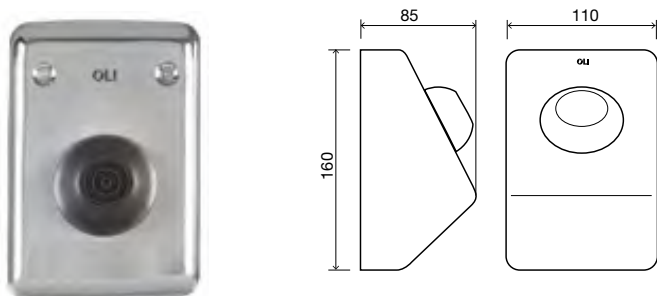
- Stainless steel material;
- Floor installation;
- Single flush;
- Pneumatic actuation;
- An inspection plate should be applied to ensure the access to the cistern;
- Anti-sliding push button;
- Vandal resistant;
- 35mm thick.



cod. **605201** Brushed

FOOT CONTROL WALL

Pneumatic flush plate



GENERAL FEATURES

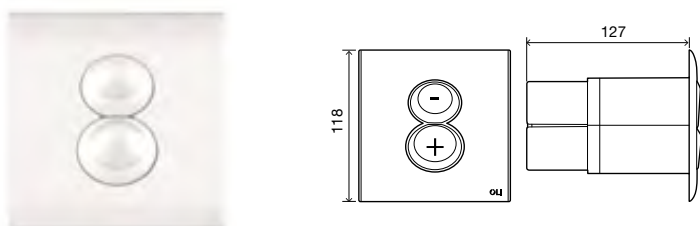
- Stainless steel material;
- Wall installation;
- Single flush;
- Pneumatic actuation;
- An inspection plate should be applied to ensure the access to the cistern;
- Anti-sliding push button;
- Vandal resistant;
- 85mm thick.



cod. **605301** Brushed

EASY DUAL

Pneumatic flush plate



GENERAL FEATURES

- ABS: high resistance to scratches;
- Pneumatic actuation;
- Vandal resistant;
- Adjustable buttons: 0mm, 18mm or 32mm;
- Compliant with safety regulations against fire (ERP) Article CO 31.

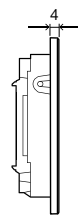
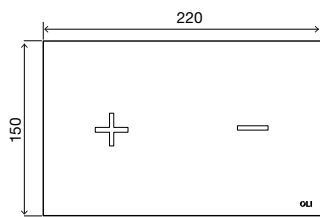
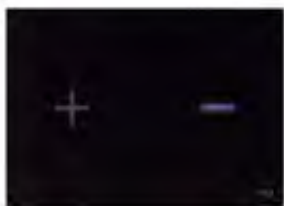


cod. **011640** White



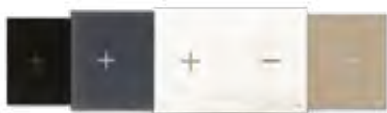
GLASSY

No-Touch flush plate

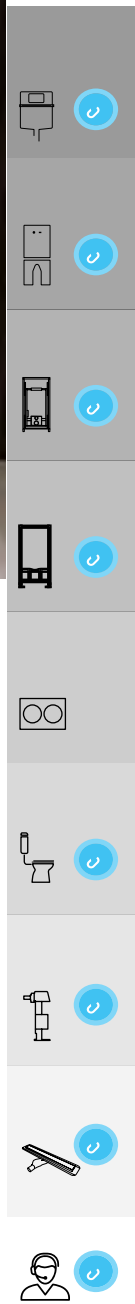


GENERAL FEATURES

- One-piece tempered glass;
- No-Touch actuation through capacitive sensors with led signs, multiple colours available;
- Hygienic and easy to clean;
- Compatible with Hydroboost or AC system;
- Anti-error electronic connections;
- Waterproof connectors;
- 4mm thick.

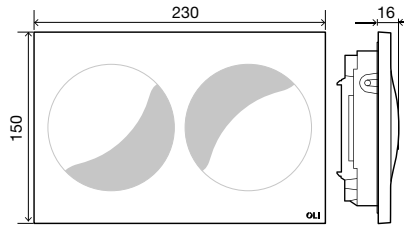


- cod. **878702** Anthracite
- cod. **878850** Black
- cod. **878701** Taupe
- cod. **878849** White



MOON

No-touch flush plate



VISTA ALEGRE
1826

GENERAL FEATURES

- One-piece in white or black ceramic material;
- No-touch actuation through capacitive sensors;
- Hygienic and easy to clean;
- Compatible with Hydroboost or AC system;
- Anti-error electronic connections;
- Waterproof connectors;
- 16mm thick.

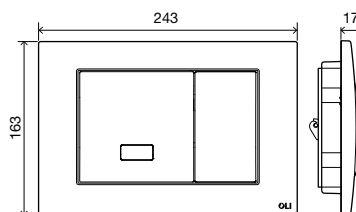


cod. **878981** Black

cod. **878848** White

ELECTRA III

Electronic flush plate



GENERAL FEATURES

- Polished chrome Zamac material;
- Dual flush (<60s half flush; >60s full flush);
- Infrared sensor or mechanical actuation;
- Compatible with electronic in-wall cisterns;
- Electric power connection (adapter 230V/12V not included);
- Vandal resistant;
- 17mm thick.

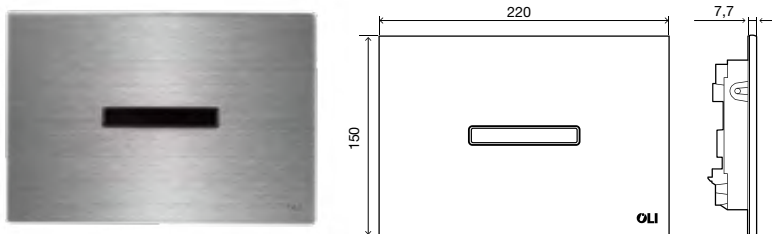


cod. **079206** Polished chrome zamac



eLINE

Electronic flush plate



GENERAL FEATURES

- Brushed stainless steel material;
- Dual flush (<60s half flush; >60s full flush);
- Infrared sensor;
- Compatible with ac in-wall cisterns;
- Electric power connection (adapter 240V/7V not included);
- Configurable hygienic discharge;
- Configurable pre-discharge;
- Infrared sensor with detection up to 900mm;
- Bluetooth version allows a statistical record of discharges;
- Radio version allows a remote actuation;
- Vandal resistant;
- 8mm thick.

SAME DESIGN, TWO VERSIONS



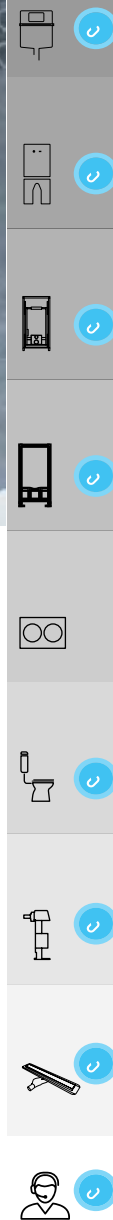
	BLUETOOTH RECEIVER	RADIO RECEIVER	RADIO REMOTE CONTROL
eLINE STANDARD*	•		
eLINE RÁDIO*	•	•	•

* Accessories not included. See page 135.



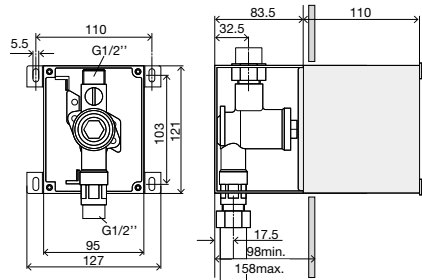
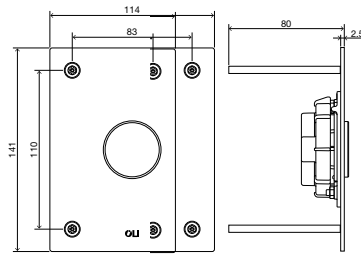
cod. **880876** Brushed
 cod. **883585** Brushed Radio and Bluetooth

Matching urinal flush plate also available. (See page 133 for more information)



BLINK URINAL

Urinal flush plate

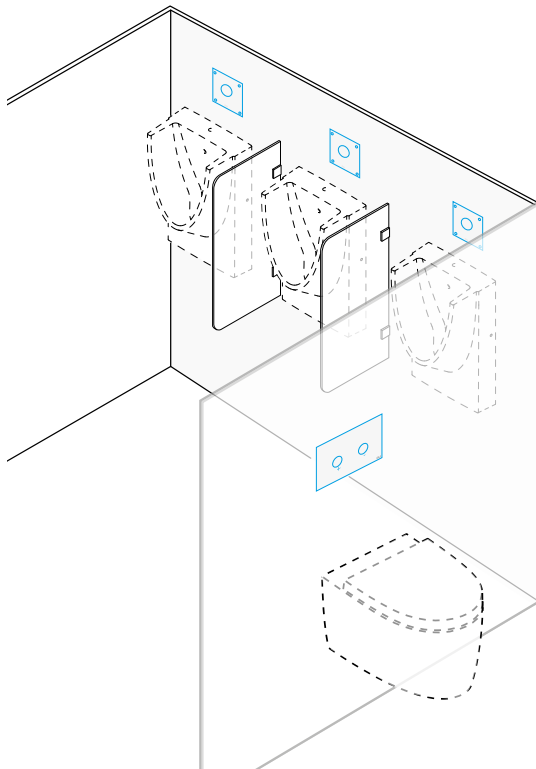


GENERAL FEATURES

- Stainless steel flush plate;
- Single flush;
- Mechanically actuated urinal plate for flush valve;
- Vandal-resistant;
- TORX security screws (+bit);
- The flush valve has to be installed before closing the wall;
- Compatible with ECO Urinal frame, URINAL Sanitarblock and OLI120 Double Frame wc/urinal/washbasin;
- 2.5mm thick.

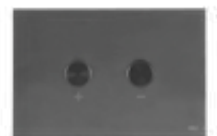
URINAL CONCEALED PRE INSTALLATION

- Adjustable flow;
- Flow pressure: 0.8 – 5 bar;
- Flow rate: 0.3 l/s;
- G 1/2" water connection;
- Protection cover 110mm;
- Pre-assembled water path with isolating valve;
- Sealing plug.



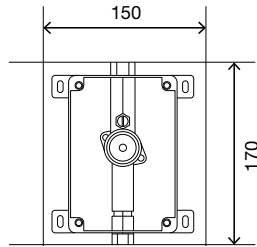
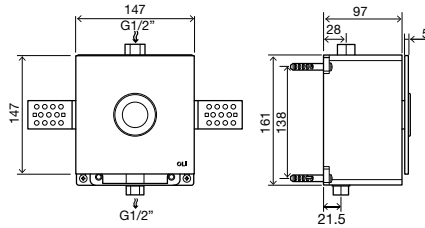
- cod. **882264** Polished chrome
 cod. **883087** Concealed pre installation

Matching toilet flush plate also available.
 (See page 119 for more information)



SM15 URINAL

Urinal flush plate



The pre-installation box must be installed before the finished wall phase.

GENERAL FEATURES

- White tempered glass material;
- Single flush;
- Mechanically actuated urinal plate for flush valve;
- Adjustable flush time;
- Adjustable flow;
- Operating pressure ≥ 3 bar;
- G 1/2" water connections;
- Compatible with ECO Urinal frame, URINAL Sanitarblock and Double Frame wc/urinal/washbasin;
- The flush valve has to be installed before closing the wall;
- Urinal concealed pre-installation included;
- 5mm thick.



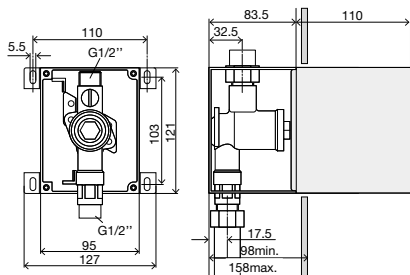
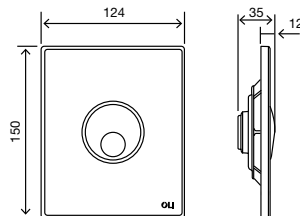
cod. **034265** White tempered glass

Matching toilet flush plate also available. (See page 120 for more information)



GLOBE URINAL

Urinal flush plate



GENERAL FEATURES

- ABS: high resistance to scratches;
- Single flush;
- Mechanically actuated urinal plate for flush valve;
- Vandal-resistant;
- The flush valve has to be installed before closing the wall;
- Compatible with ECO Urinal frame, URINAL Sanitarblock and OLI120 Double Frame wc/urinal/washbasin;
- 12mm thick.

URINAL CONCEALED PRE INSTALLATION

- Adjustable flow;
- Flow pressure: 0.8 – 5 bar;
- Flow rate: 0.3 l/s;
- G 1/2" water connection;
- Protection cover 110mm;
- Pre-assembled water path with isolating valve;
- Sealing plug.



- cod. **878822** Gold plated
- cod. **878819** Matt chrome
- cod. **878818** Polished chrome
- cod. **878466** White
- cod. **885580** White Antibacterial
- cod. **883087** Concealed pre installation

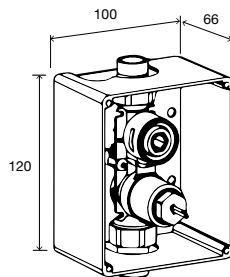
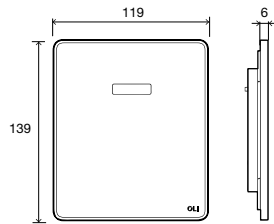




879120
eAQUA URINAL Inox AC

eAQUA

Urinal flush plate



GENERAL FEATURES

- Brushed stainless-steel;
- Double infrared sensors (with automatic setting feature);
- Temporary-off (cleaning) and short-on (manual flush) activated with touch;
- Flush time and sensor sensitivity adjustable with touch;
- 24h/48h hygienic flush and pre-flush activation with touch;
- The flush valve has to be installed before closing the wall;
- Compatible with ECO Urinal frame, URINAL Sanitarblock and Double Frame wc/urinal/washbasin;
- Vandal resistant;
- 6mm thick.

URINAL CONCEALED PRE INSTALLATION

- Operating pressure: 0.3 - 10 bar;
- Flow rate: ca. 20 l/min. (3 bar);
- 6V Lithium CRP 2 (standard: life time up to 4 years) / mains power supply 230V/6V;
- Standards: DIN EN 200; CE.



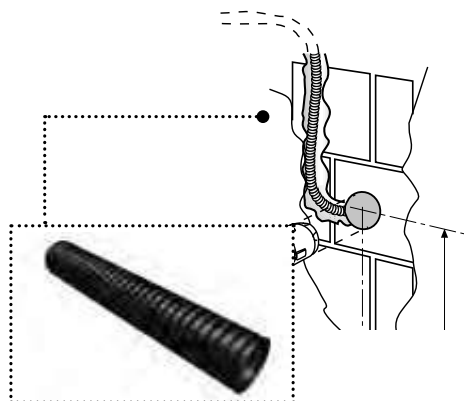
- | | |
|--------------------|-----------------------------------|
| cod. 879120 | eAQUA URINAL Inox AC |
| cod. 879119 | eAQUA URINAL Inox BATT |
| cod. 879123 | Urinal concealed pre installation |



Matching toilet flush plate also available. (See page 129 for more information)



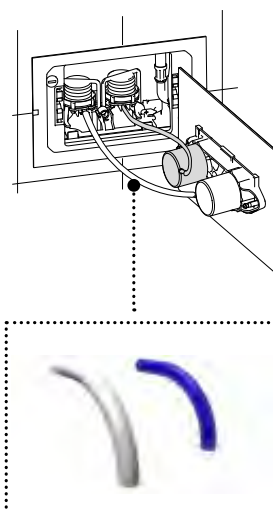
ACCESSORIES FLUSH PLATES



PROTECTION PIPE

- Protection pipe 1.8m for pneumatic connections.

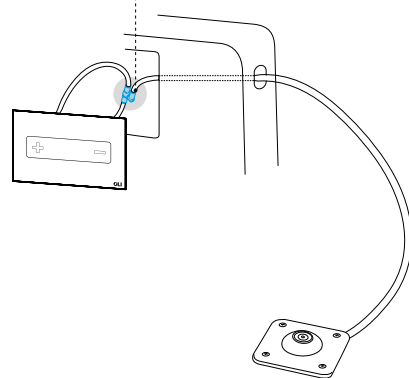
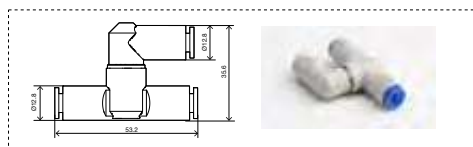
cod. **049544**



PNEUMATIC PIPES

- Pneumatic pipes x2;
- 3m each.

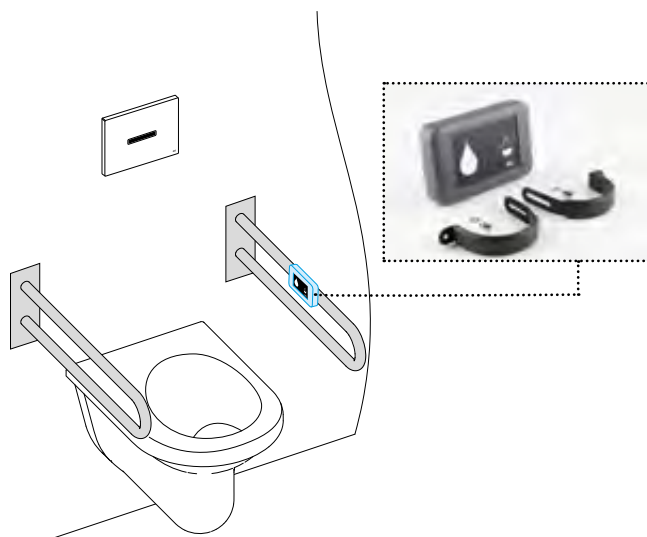
cod. **043234**



KIT DUPLEX

- 2 points of actuation on the same cistern;
- Only for pneumatic flush plates;
- Single flush.

cod. **216252**



REMOTE CONTROL

- Radio remote control;
- Dual flush;
- Capacitive buttons.

cod. **884193**



POWER SUPPLY ELINE

- Input: 100 - 240 V AC; 50/60Hz;
- Output: 7 V DC 3A;
- For AC flush plate.

cod. **878674**



POWER SUPPLY

- Input: 100 - 240 V AC; 50/60Hz;
- Output: 12 V DC 1,5A;
- For use with Electra III.

cod. **079260**



RADIO RECEPTOR

- Radio receptor control;
- Flushing by remote control.

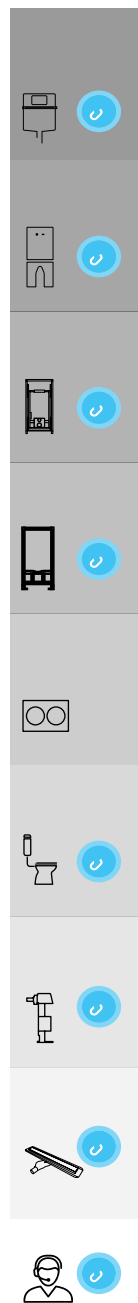
cod. **883578**



eLINE BLUETHOOTH RECEPTOR

- Statistical record of discharges;
- App interaction;
- Easy and useful service for facility managers.

cod. **883582**



PART NUMBER GUIDE

White □	Black ■	Anthracite ▣	Gold ◼	White Gold ◼	Taupe %	Polished chrome ◻	Brushed ▣	Copper ◼	Gun Metal ▣	Grey soft-touch ▣	Black soft-touch ■
------------	------------	-----------------	-----------	-----------------	------------	----------------------	--------------	-------------	----------------	----------------------	-----------------------



Mechanic

LESS is MORE	883526	883527	-	-	-	-	883524	883525	-	-	-	-
INO-X 02	-	-	-	-	-	-	660002	661002	-	-	-	-
INO-X 06	-	-	-	-	-	-	660006	661006	-	-	-	-
OCEANIA	054558 steel button	054562 steel button	-	-	-	-	054561	054564	-	-	-	-
	054554 glass	054557 glass	-	-	-	-			-	-	-	-
OCEANIA MIA	054563	-	-	-	-	-	-	-	-	-	-	-
GLOBE	152949	-	-	152954	-	-	152950	152951	-	-	152953	152952
SLIM	659041	-	-	154962	-	-	659044	659046	-	-	010216	659055
NARROW	152939	-	-	-	-	-	152940	152941	-	-	-	152942
GLAM	139184	-	-	-	-	-	139185	139186	-	-	-	139187
PLAIN	070826	-	-	-	-	-	070827	070828	-	-	-	070829
RIA	010230	-	-	-	-	-	640584	640586	-	-	-	-
	640591 anti- bacte- rial	-	-	-	-	-			-	-	-	-
RIA STOP	010234	-	-	-	-	-	010244	-	-	-	-	-
METAL	-	-	-	-	-	-	011418	656006	-	-	-	-



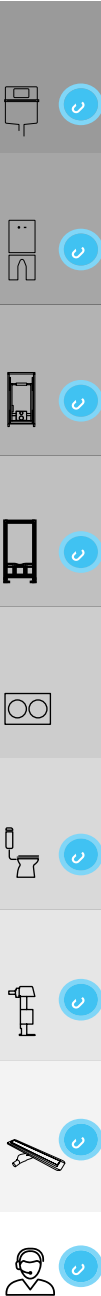
Pneumatic

TRUMPET	-	-	-	-	878783	-	046199	046198	878784	-	-	-
OCEANIA	054993 steel button	054996 steel button	-	-	-	-	054998	054988	-	-	-	-
	054989 glass	054992 glass	-	-	-	-			-	-	-	-
OCEANIA MIA	054997	-	-	-	-	-	-	-	-	-	-	-
BLINK	216621	878489	-	883246	878781	-	154963	093399	878782	882567	-	-
SM15	022238	-	-	-	-	-	-	-	-	-	-	-
KARISMA	641001	-	-	-	-	-	641004	641006	-	-	-	641015
SALINA	640081	-	-	-	-	-	640084	640086	-	-	-	640097
EASY DUAL	011640	-	-	-	-	-	-	-	-	-	-	-
MONO TREND	-	-	-	-	-	-	-	23506	-	-	-	-
SPHERA+	-	-	-	-	-	-	605264	-	-	-	-	-
SPHERA-	-	-	-	-	-	-	605274	-	-	-	-	-
PNEUMATIC HAND	605001	-	-	-	-	-	605004	-	-	-	-	-
PNEUMATIC SALIENT HAND	718063	-	-	-	-	-	-	-	-	-	-	-
FOOT CONTROL FLOR	-	-	-	-	-	-	-	605201	-	-	-	-
FOOT CONTROL WALL	-	-	-	-	-	-	-	605301	-	-	-	-
SEAMLESS	-	-	-	-	-	-	-	880390	-	-	-	-
INSPECTION PLATE	-	-	-	-	-	-	207892	207893	-	-	-	-

WxDxH	Weight	Qt.	Multiple Box Dim	Weight	Qty per Pallet	Pallet Height	Pallet Width	Pallet Length	Weight

252x178x109	1.0	16	595x391x500	17	320	1.200	0.800	2.660	347.2
-	0.0	1	-	-	0	1.200	0.800	0.000	0.0
-	0.0	1	-	-	0	1.200	0.800	0.000	0.0
252x178x109	0.8	16	595x391x500	16	320	1.200	0.800	2.660	310.7
252x178x109	0.7	16	595x391x500	14	320	1.200	0.800	2.660	286.4
266x190x55	0.4	34	595x391x500	14	680	1.200	0.800	2.660	284.2
266x190x55	0.5	14	595x391x250	8	560	1.200	0.800	2.660	338.8
266x190x55	0.4	34	595x391x500	14	680	1.200	0.800	2.660	279.5
266x190x55	0.4	34	595x391x500	14	680	1.200	0.800	2.660	284.9
266x190x55	0.4	34	595x391x500	14	680	1.200	0.800	2.660	280.2
270x190x57	0.4	22	540x330x392	11	550	1.200	0.870	2.120	264.0
270x190x52	0.4	22	540x330x392	11	550	1.200	0.870	2.120	267.9
266x190x55	1.0	14	595x391x250	14	560	1.200	0.800	2.660	560.0

252x178x109	0.6	16	595x391x500	11	320	1.200	0.800	2.660	227.5
252x178x109	0.9	16	595x391x500	16	320	1.200	0.800	2.660	321.3
252x178x109	0.8	16	595x391x500	15	320	1.200	0.800	2.660	298.6
240x162x90	0.8	28	595x391x500	23	560	1.200	0.800	2.660	467.0
215x215x135	1	6	595x391x250	6	96	1.200	0.800	1.150	96.0
260x180x97	0.3	20	595x391x500	9	400	1.200	0.800	2.660	120.0
260x180x97	0.3	20	595x391x500	9	400	1.200	0.800	2.660	120.0
230x200x120	1.0	10	595x391x500	12	200	1.200	1.000	1.900	231.8
260x180x97	0.5	20	595x391x500	1	400	1.200	0.800	2.160	200.0
260x180x97	0.5	20	595x391x500	10.0	320	1.200	0.800	1.660	160.0
260x180x97	0.5	20	595x391x500	10	320	1.200	0.800	1.660	160.0
260x180x97	0.4	20	595x391x500	8.0	400	1.200	1.000	2.160	160.0
260x180x97	0.41	20	595x391x500	10	400	2.16	1	1.2	200
-	0.0	1	-	1	0	1.200	0.800	0.000	0.0
-	1.0	1	595x391x435	1	180	1.200	0.800	2.335	32.8
266x190x55	0.5	34	595x391x500	17	680	1.200	0.800	2.660	345.4
266x190x55	0.7	34	595x391x500	24	680	1.200	0.800	2.660	486.2



PART NUMBER GUIDE

White □	Black ■	Anthracite ■	Gold ■	White Gold ■	Taupe %	Polished chrome □	Brushed □	Copper ■	Gun Metal ■	Grey soft-touch ■	Black soft-touch ■
------------	------------	-----------------	-----------	-----------------	------------	----------------------	--------------	-------------	----------------	----------------------	-----------------------



Electronic

MOON	878848	878981	-	-	-	-	-	-	-	-	-	-
GLASSY	878849	878850	878702	-	-	878701	-	-	-	-	-	-
eLINE	-	-	-	-	-	-	-	880876 883585 Radio and bluetooth	-	-	-	-
ELECTRA III	-	-	-	-	-	-	079206	-	-	-	-	-



Urinal

BLINK URINAL	-	-	-	-	-	-	Blink 882264 883087 Concealed pre-instal- lation	-	-	-	-	-
SM15 URINAL	034265	-	-	-	-	-	-	-	-	-	-	-
EAQUA URINAL	-	-	-	-	-	-	-	879120 AC 879119 Batt 879123 Concealed pre-instal- lation	-	-	-	-
GLOBE URINAL	878466 883087 Con- cealed pre-in- stalla- tion	-	-	878822 883087 Con- cealed pre-in- stalla- tion	-	-	878818 883087 Concealed pre-instal- lation	878819 883087 Concealed pre-instal- lation	-	-	-	-



OLIpure

NARROW	148300	-	-	-	-	-	148301	148302	-	-	-	148303
GLAM	139178	-	-	-	-	-	139179	139186	-	-	-	139181



Vandal proof

SLIM INOX	-	-	-	-	-	-	-	057141	-	-	-	-
METAL	-	-	-	-	-	-	011418	656006	-	-	-	-

Antibacterial

NARROW	885576	-	-	-	-	-	-	-	-	-	-	-
GLAM	885578	-	-	-	-	-	-	-	-	-	-	-
GLOBE	885464	-	-	-	-	-	-	-	-	-	-	-
RIA	640591	-	-	-	-	-	-	-	-	-	-	-



Projects

EMERALD HOUSE LISBON BY HILTON- LISBON, PORTUGAL

Set in a restored building full of history associated with 18th century nobility, the first four-star hotel of the Curio Collection by Hilton is located in one of the most emblematic historic quarters of Lisbon. The hotel, which has 67 rooms, a restaurant, bar and gym, is located in a refurbished 18th century building on Rua das Janelas Verdes, and overlooks the Tejo River and the city. To create a distinctive atmosphere in the bathrooms, the water-efficient **OLI74PLUS S90 SANITARBLOCK** in-wall cisterns were chosen, as well as the **OCEANIA and SLIM** flush plates.



Projects

AMBRA HEIGHTS - KENYA

Located in Nairobi, Ambra Heights is a residential, contemporary development project. Surrounded by a convenient and friendly neighbourhood with exceptional schools and amenities nearby, this building boasts ultra-comfortable and spacious interiors that create a welcoming atmosphere. For the bathroom spaces, the **OLI74 PLUS SANITARBLOCK** in-wall cisterns with the **RIVER** white flush plate were chosen.





Projects

LUSAIL STADIUM – QATAR

Set in the city of the future, Lusail Stadium, designed by Foster + Partners, was the largest stadium in Qatar (80 000 seats) and one of the centres of attention of the 2022 FIFA World Cup - QATAR. Built under good sustainability and water efficiency practices, this building received a rating of 5 stars from the Global Sustainability Assessment System. In this iconic building we can find urinal structures with the fast-fit system and **eAQUA** flush plates.



Projects

COSTA NOVA SAILING CLUB RESTAURANT: AVEIRO - PORTUGAL

The Costa Nova Sailing Club Restaurant, one of the oldest nautical clubs in the area of the Ria de Aveiro estuary, was designed by the Ferreira Arquitetos Architecture Atelier. This restaurant is divided in 3 main spaces: the restaurant, the members bar and the terrace. Its bathrooms were equipped with the **eAQUA Urinal** flush plates.





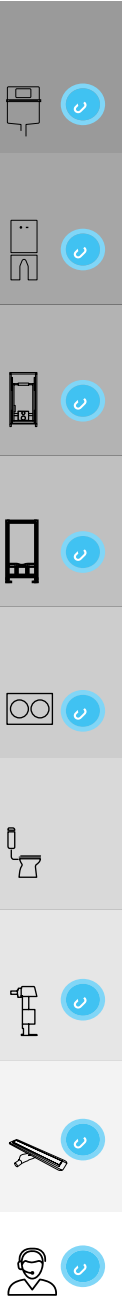
154961
QUARZO

OLI exposed cisterns are made with bright thermoplastic material that is resistant to knocks and scratches. Some models are accessible in a wide range of colours, as well as the traditional white. They are available in three different versions: close-coupled; medium to low position and high position. The close-coupled version (fitted directly into the ceramic pan) is ideal for the replacement of ceramic cisterns.

RESISTANT TO KNOCKS AND SCRATCHES

QUARZO	144
TOPAZIO DD	145
ONIX PLUS	145
ZAFFIRO DD	146
TURCHESE	146
OLISTYLE	147
TOPAZIO	147

EXPOSED FLUSH CISTERNS



Dual flush



Single flush



Pneumatic actuation



Close up application



Medium-low application



High position



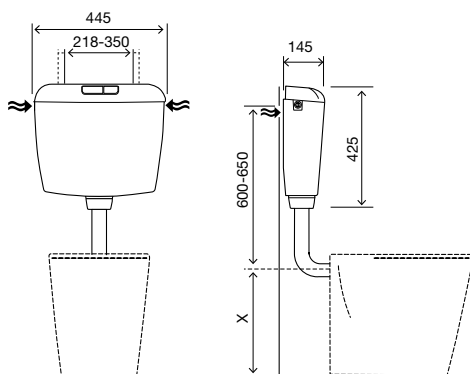
Saves up to 9l of water per day



OLIpure System

QUARZO

Medium-low Position



SPECIFIC FEATURES

- Dual flush 6/3L (adjustable to 9/4L in the outlet valve);
- Medium/low level installation;
- Acoustic and anti-condensation internal lining;
- Silent inlet valve;
- Adjustable wall fixation system;
- Water supply connections - Three positions;
- EN 14055 CE marking;
- White PS material;
- 145mm thick.

INCLUDED

- Flush pipe Ø50/40;
- Wall fixation accessories;
- Toilet connection rubber seal.

OLIpure the right solution for perfect hygiene in the bathroom.

Internal system that pumps cleaning liquid in each flush. This way the cleaning liquid is always in a closed circuit, unlike traditional cleaning tablets that are always in contact with water, causing possible damages to components in the cistern.

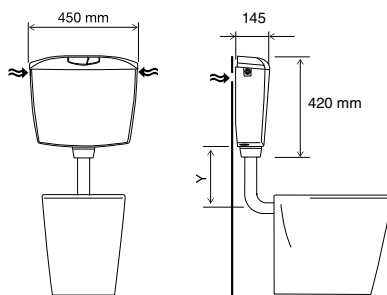


cod. 124427

cod. 154961 OLIpure

SMERALDO

Medium-low Position



Y	MIN	MAX
Ø40	90	332

SPECIFIC FEATURES

- Dual flush 6/3L;
- Medium/low level installation;
- Acoustic and anti-condensation internal lining;
- Silent inlet valve;
- Adjustable wall fixation system;
- Water supply connections - three positions;
- EN 14055 CE marking;
- White PS material;
- 145mm thick;
- ½" plastic connection.

INCLUDED

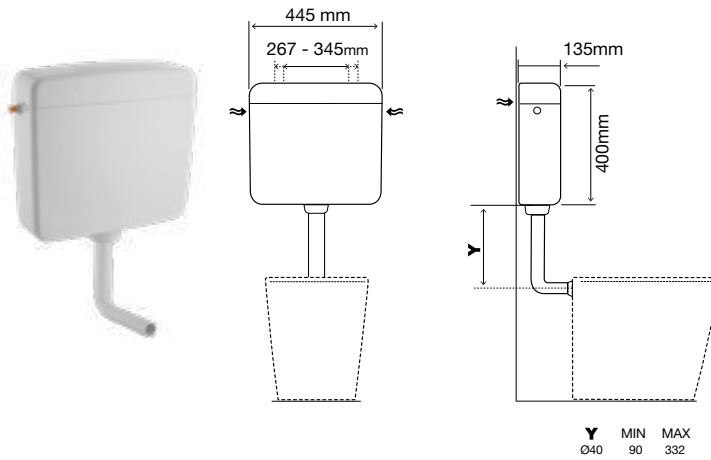
- Flush pipe Ø50/40;
- Wall fixation accessories;
- Toilet connection rubber seal.



cod. 012220

TOPAZIO DD

Medium-low Position



SPECIFIC FEATURES

- Dual flush 6/3L (adjustable to 9/4L in the outlet valve);
- Medium/low level installation;
- Acoustic and anti-condensation internal lining;
- Silent inlet valve;
- Adjustable wall fixation system;
- Water supply connections - Three positions;
- Some versions compliant with: KIWA;
- EN 14055 CE marking;
- White PS material;
- 135mm thick.

INCLUDED

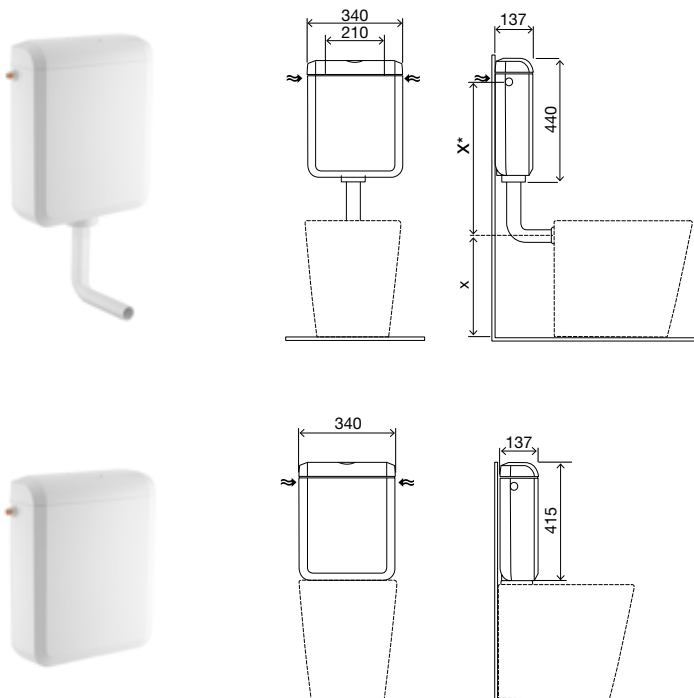
- Flush pipe Ø50/40;
- Wall fixation accessories;
- Toilet connection rubber seal.



cod. **416201** With 1/2" stop valve

ONIX PLUS

Medium-low/Close coupled application



SPECIFIC FEATURES

- Dual flush 6/3L (adjustable to 4/2L in the outlet valve);
- Medium installation or close couple;
- Acoustic and anti-condensation internal lining;
- Delayed refilling inlet valve;
- Silent inlet valve;
- Water supply connections - Three positions;
- Some versions compliant with: KIWA;
- EN 14055 CE marking;
- White PS material;
- 137mm thick.

INCLUDED

- Close couple fixation kit;
- Flush pipe Ø50/40 for medium level installation;
- Wall fixation accessories;
- Toilet connection rubber seal.

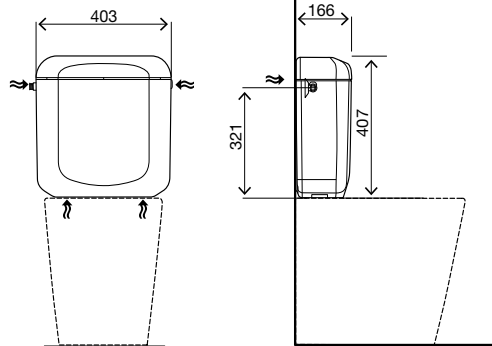


cod. **340221**



ZAFFIRO DD

Close-coupled



SPECIFIC FEATURES

- Dual flush 6/3L (adjustable to 9/4L in the outlet valve);
- Close couple installation;
- Acoustic and anti-condensation internal lining;
- Silent inlet valve;
- Water supply connections - three positions;
- Some versions compliant with: KIWA;
- EN 14055 CE marking;
- White PS material;
- 166mm thick.

INCLUDED

- Close-couple fixation kit.

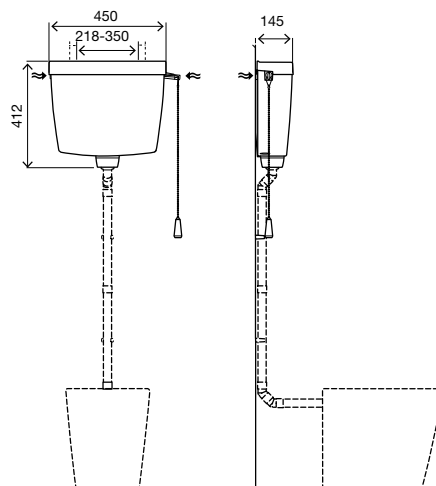


cod. **002426** bottom connection

cod. **425201** side connection with 1/2" stop valve

TURCHESE

High position



SPECIFIC FEATURES

- High level exposed tank with single flush 6L (adjustable to 9L in the inlet valve);
- Actuation in the push button or pulling a chain;
- High/Medium/low level installation;
- Acoustic and anti-condensation internal lining;
- Silent inlet valve;
- Adjustable wall fixation system;
- Water supply connections - three positions;
- Compatible with Ø32 flush pipes;
- Pneumatic version available
- EN 14055 CE marking;
- White PS material;
- 145mm thick.

INCLUDED

- Chain for high level installation;
- Wall fixation accessories;
- Toilet connection rubber seal Ø32.

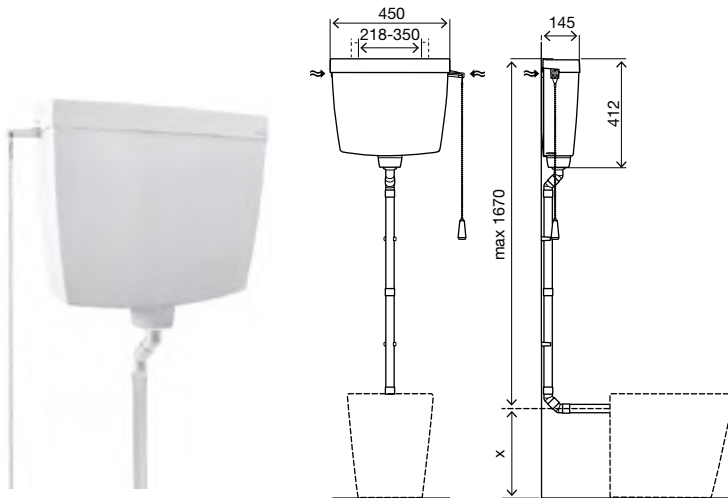


cod. **440881** pneumatic version

cod. **440201** with 1/2" stop valve

OLISTYLE

High position



SPECIFIC FEATURES

- High level exposed tank with single flush 9L (adjustable to 6L in the inlet valve);
- Actuation in the push button or pulling a chain;
- High/Medium/low level installation;
- 145mm thick;
- Adjustable wall fixation system;
- Water supply connections - Three positions;
- EN 14055 CE marking;
- White PS material.

INCLUDED

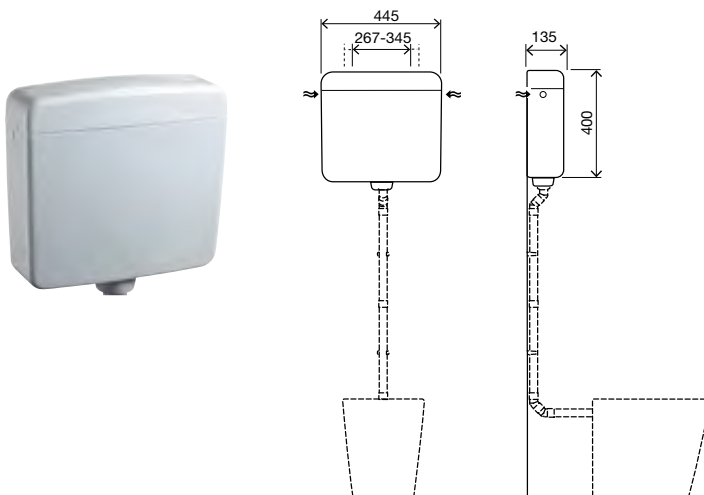
- Chain for high level installation;
- 4 modular flush pipes Ø32;
- Wall fixation accessories;
- Toilet connection rubber seal Ø32.



cod. 440141

TOPAZIO

High position



SPECIFIC FEATURES

- High level exposed tank with single flush 9L (adjustable to 6L in the inlet valve);
- Actuation in the Lid push button or pneumatic button (pneumatic push buttons page 124, 125);
- High/Medium/low level installation;
- Acoustic and anti-condensation internal lining;
- Silent inlet valve;
- 135mm thick;
- Adjustable wall fixation system;
- Water supply connections - Three positions;
- EN 14055 CE marking;
- White PS material.

INCLUDED

- Wall fixation accessories.

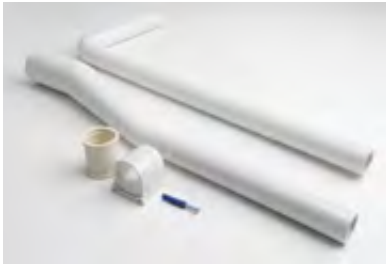


cod. 413781





ACCESSORIES - EXPOSED FLUSH CISTERNS



FLUSH PIPE Ø50/32 15°
 - Flush pipe set for high exposed cisterns;
 - Height 1000mm;
 - Toilet connection Ø32;
 - Cistern connection Ø50.

cod. **490601** medium/high cisterns (complete)
 cod. **490501** medium/high cisterns (split)



MODULAR FLUSH PIPE
 - Flush pipe modules for high exposed cisterns;
 - 5 flush pipes Ø32;
 - 3 flush pipe bend Ø32;
 - Flush pipe bend connection Ø32/50;
 - Flush pipe support with fixation screw.

cod. **490881**



FLUSH PIPE Ø32
 - Set for high exposed cisterns;
 - 1 flush pipe 350mm Ø32;
 - 1 flush pipe 500mm Ø32;
 - 1 flush pipe 1000mm Ø32.

cod. **490701**



FLUSH PIPE
 - Medium/high installations.

cod. **490301** H- 600, L - 210 Ø 32 White
 cod. **490151** H- 600, L - 210 Ø 40 White
 cod. **490401** H- 1000, L - 210 Ø 40 White



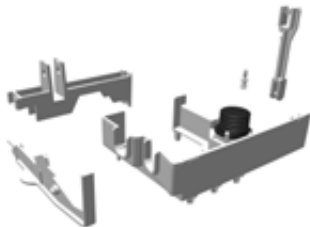
FLUSH PIPE
 - Medium/Low installations.

cod. **490001** H- 325, L - 210 Ø 32 White
 cod. **490681** H- 325, L - 210 Ø 40 White
 cod. **490130** H- 325, L - 350 Ø 40 White



AMBIWAVE
 - Liquid disinfectant for toilet;
 - 450ml dosage;
 - 12 units per pack.

cod. **879955**



TOPAZIO PNEUMATIC KIT
 - Pneumatic kit for Topazio exposed cistern;
 - Push button not supply.

cod. **087617**

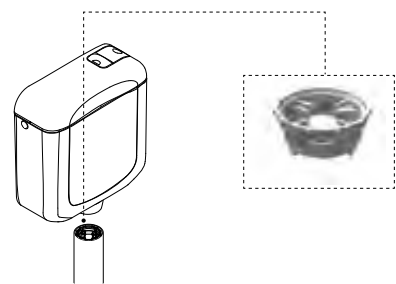


PNEUMATIC PUSH BUTTON ACTUATOR
 - Single flush;
 - Pneumatic actuation;
 - ABS material.

INCLUDED

- Fixing material;
- Aesthetic covering pipe 1000m
- Pneumatic flexible pipe 2500mm

cod. **605101** White

















FLOW RATE REDUCER

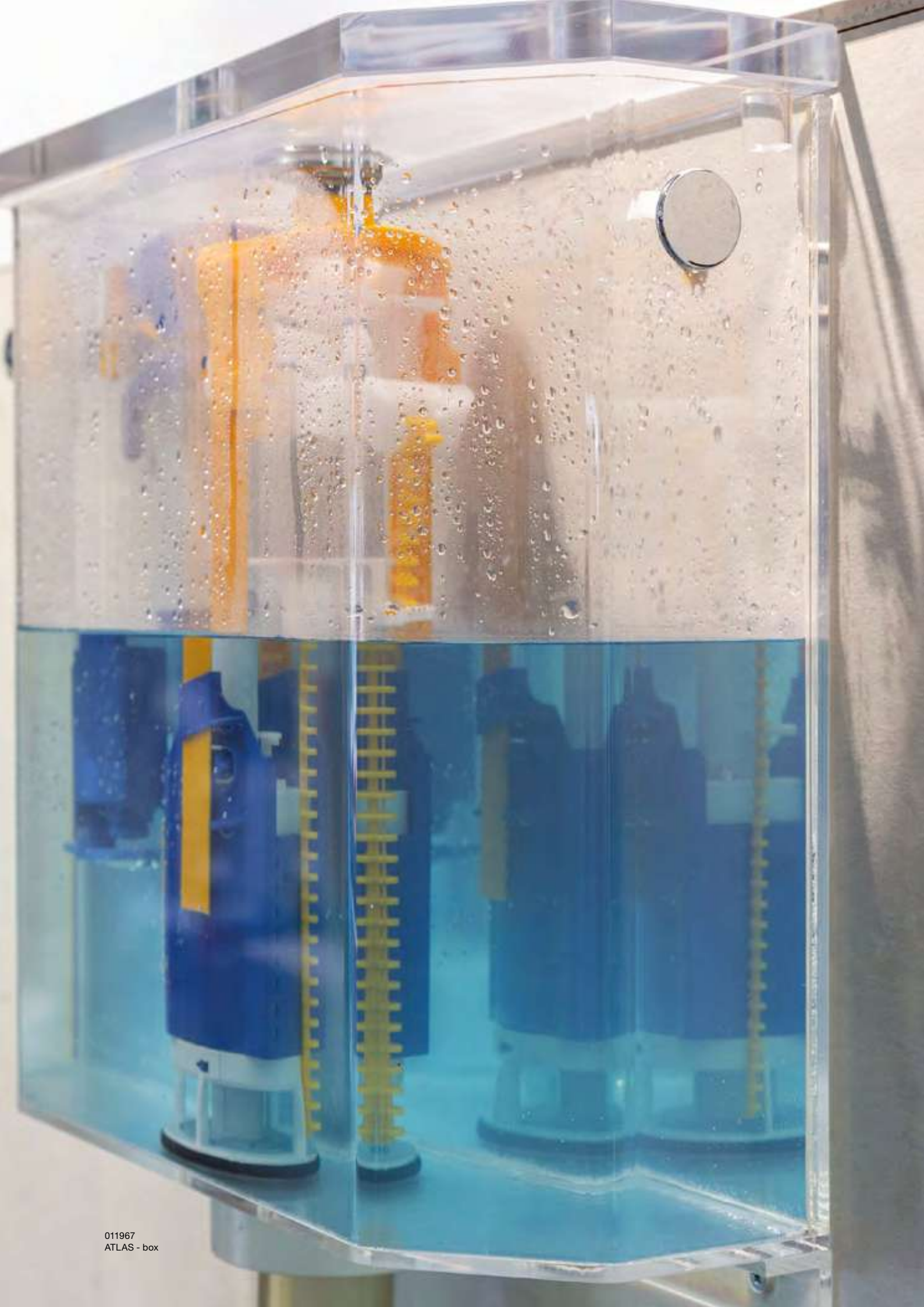
cod. **883088**



PART NUMBER GUIDE

	 Dual Flush	 OLpure	 Start/Stop	 Medium-low position	 Close coupled position	 High position	 Pneumatic version	 Silent inlet valve	 Anti-condensation lining	kiwa
QUARZO 	124427	154961	-	•	-	-	-	•	•	-
SMERALDO 	012220	-	-	•	-	-	-	•	•	-
ONIX PLUS 	340221	-	-	•	•	-	-	•	•	•
TOPAZIO DD 	416201 with stop valve	-	-	•	-	-	-	•	•	•
TOPAZIO 	-	-	413781	•	-	•	•	•	•	-
ZAFFIRO DD 	425201 with stop valve	-	-	-	•	-	-	•	•	•
	002426 Bottom connection	-	-	-	-	-	-	•	•	•
TURCHESE 	-	-	440201 with stop valve	•	-	•	440881	•	•	-
OLISTYLE 	-	-	440141	•	-	•	-	-	-	-
KIT OLIPURE 	-	101768	-	-	-	-	-	-	-	-

WxDxH	Weight	Qt.	Multiple Box Dim	Weight	Qty per Pallet	Pallet Height	Pallet Width	Pallet Length	Weight
453x143x441	2.8	5	764x474x460	16	75	1.238	1.000	2.450	239.3
463x143x431	2.8	1	-	3	65	1.200	0.800	2.360	191.5
353x143x456	2.8	5	767x380x491	16	75	1.200	0.800	2.440	237.3
446x144x446	3.4	1	-	4	65	1.200	0.800	2.385	246.4
446x144x446	3.2	1	-	4	65	1.200	0.800	2.385	232.8
408x176x431	3.2	1	-	4	60	1.200	0.800	2.305	214.4
408x176x431	3.0	5	916x430x459	17	75	1.346	0.860	2.455	254.9
456x146x430	2.5	5	777x475x456	14	75	1.252	1.000	2.440	214.0
456x146x430	2.8	1	-	3	52	1.200	0.800	1.880	156.1
161x116x261	0.5	17	595x391x500	9	340	1.200	1.000	2.160	170.0



OLI is a leading European producer of mechanisms for ceramic cisterns and its quality is recognized by the most important international bodies. The extremely silent inlet valves and the elevated performance levels of our outlet valves are tested under strict laboratory conditions before being introduced to the market.

UNIVERSAL INLET AND OUTLET VALVES FOR CERAMIC CISTERNS

INLET VALVE

OLI ONE	154
IVC102 PLUS	154
AG104 PLUS	155
AZOR PLUS	155
UNI BOTTOM	156
IVC100 PLUS	156
COMPACT	157
JOLLY UNI	157
ECO	157

OUTLET VALVE

APOLO	158
BETA	158
ATLAS	159
FAST START/STOP	159
ATLAS CABLE	160
PUSH ECO	160
ECO TIRETTE	161
HANDLE	161
OLIPURE KIT	162

MECHANISMS



Side water supply connection



Bottom water supply connection



Dual flush



Single flush



Start/Stop flush



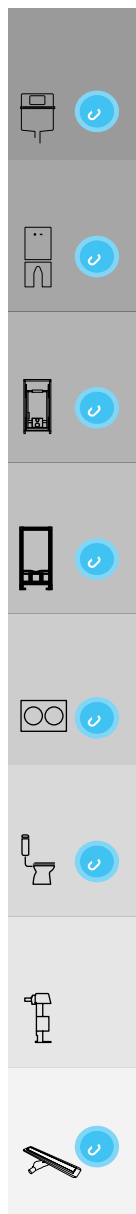
Saves up to 9l of water per day



Bottom and side water supply

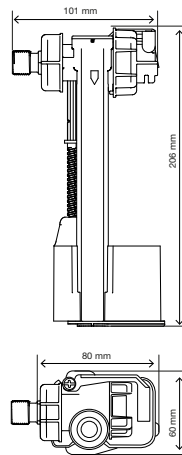


Universal



OLI ONE

Inlet valve



SPECIFIC FEATURES

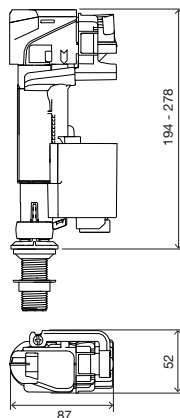
- Compatible with in-wall cisterns, exposed and ceramic cisterns, adaptors for competitors compatibility;
- Side water connection with $\frac{3}{8}$ " brass or $\frac{3}{8}$ " plastic;
- Delayed refilling inlet valve: it starts after the outlet valve is in the close position;
- Silent inlet valve, class I;
- High performance on dirty waters;
- Counter pressure closing system (hydraulic);
- Effective with any flow pressure:
- Dynamic pressure functioning range: 0.5-10bar;
- Maximum static pressure: 16bar;
- Anti-backflow function.



cod. **884379**

IVC102 PLUS

Inlet valve



SPECIFIC FEATURES

- Quick filling;
- Compliant with UPC;
- Bottom inlet valve with $\frac{1}{2}$ " brass, plastic or 15/16" in plastic connection;
- Delayed refilling inlet valve: it starts after the outlet valve is in the close position;
- Height adjustable;
- Silent inlet valve, class I;
- Integrated filter can be cleaned;
- Counter pressure closing system (hydraulic);
- Dynamic pressure functioning range: 0.5-6bar;
- Maximum static pressure: 16bar;
- Anti-backflow function.

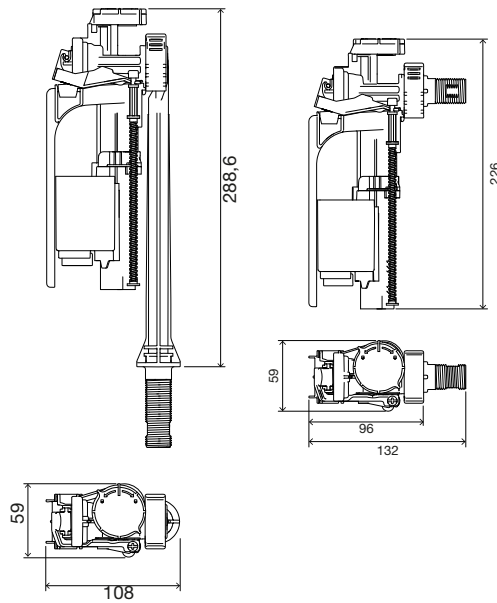


cod. **879285** $\frac{1}{2}$ " plastic - bag

cod. **878737** 15/16" plastic - bag

AG104 PLUS

Inlet valve



SPECIFIC FEATURES

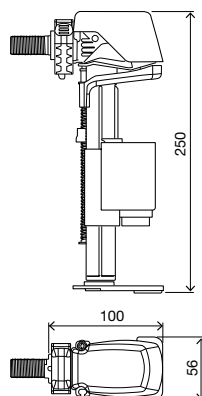
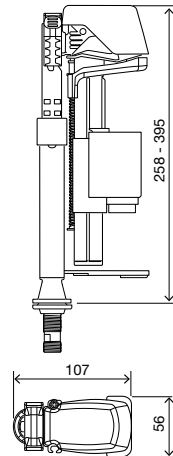
- New back flow protection to prevent contamination;
- Compliant with UK standards, WRAS;
- Side or bottom water supply with 1/2" plastic connection;
- Delayed refilling inlet valve: it starts after the outlet valve is in the closed position;
- Easy maintenance without the need to disconnect from the water connection;
- Counter pressure closing system (hydraulic);
- Dynamic pressure functioning range: 0.1 – 10 bar;
- Maximum static pressure: 16 bar.



- cod. **883099** 1/2" Plastic bag
- cod. **883103** 1/2" Plastic bottom bag

AZOR PLUS

Inlet valve

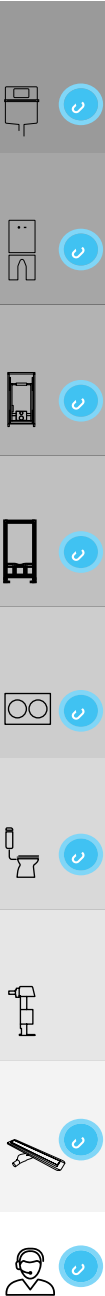


SPECIFIC FEATURES

- Delayed refilling inlet valve: it starts after the outlet valve is in the closed position;
- Side or bottom water supply with 3/8" brass and 1/2" plastic or brass;
- Adjustable height in the bottom connection;
- Counter pressure closing system (hydraulic);
- Dynamic pressure functioning range: 0.1 – 14 bar;
- Maximum static pressure: 20 bar;
- Silent valve class I;
- Easy maintenance without the need to disconnect from the water connection;
- Anti-backflow function;
- Some versions compliant with, KIWA, UPC, NF (side version), WATERMARK or SABS.

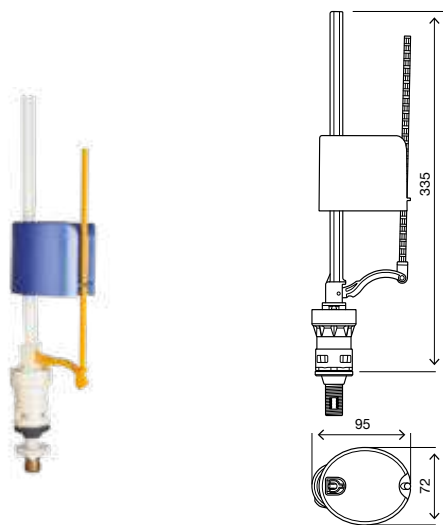


- cod. **020864** Bottom 3/8" brass - box
- cod. **020863** Side 3/8" brass - box



UNI BOTTOM

Inlet valve



SPECIFIC FEATURES

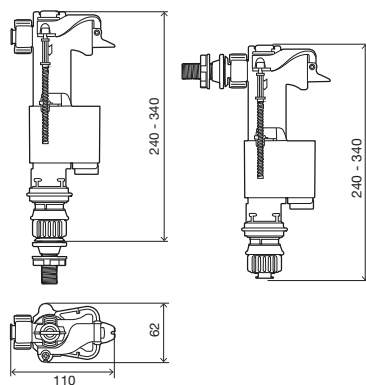
- Bottom inlet valve, with 3/8" or 1/2" in brass or plastic connection;
- Piston closing system (mechanical);
- Dynamic pressure functioning range: 0.5 – 8 bar;
- Maximum static pressure: 10 bar.



cod. 022371	1/2" brass - bag
cod. 044995	1/2" plastic - bag
cod. 879622	3/8" brass - bag
cod. 562160	3/8" brass - box
cod. 563571	3/8" plastic - bag

IVC100 PLUS

Inlet valve



SPECIFIC FEATURES

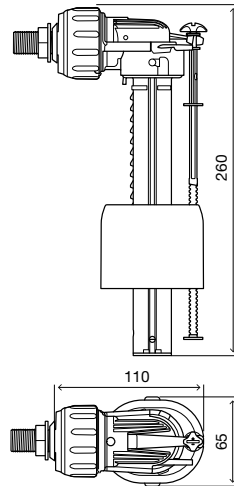
- Side or bottom water supply connection in the same inlet valve;
- Integrated filter that can be cleaned without removing the water connection;
- Delayed refilling inlet valve: it starts after the outlet valve is in the close position;
- Side and bottom inlet valve, with 3/8" brass;
- Adjustable height in the bottom connection;
- Counter pressure closing system (hydraulic);
- Dynamic pressure functioning range: 0.1 – 8 bar;
- Maximum static pressure: 8bar;
- Easy maintenance, no need to disconnect water connection;
- Anti-backflow function.



cod. 883706	3/8" brass - box
cod. 883818	3/8" brass - bag

COMPACT

Inlet valve



SPECIFIC FEATURES

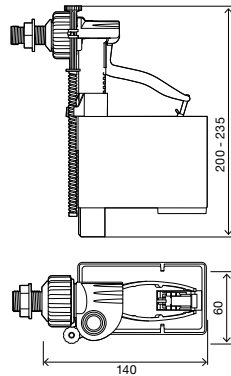
- Side inlet valve, brass connection;
- Reduced dimensions;
- Silent valve, class I;
- Counter pressure closing system (hydraulic);
- Dynamic pressure functioning range: 0.1 – 10 bar;
- Maximum static pressure: 16 bar;
- Anti-backflow function;
- Some versions compliant with: KIWA, NF.



cod. **561598** 3/8" brass - bag
 cod. **880305** 3/8" brass - box

JOLLY UNI

Inlet valve



SPECIFIC FEATURES

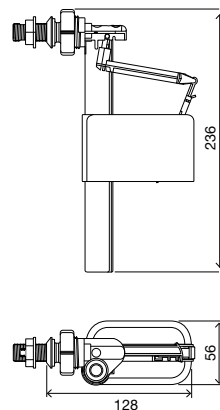
- Piston closing system (mechanical);
- Side inlet valve, with 3/8" or 1/2" brass or plastic connection;
- Silent valve, NF class I certified;
- Dynamic pressure functioning range: 0.5 – 10 bar;
- Maximum static pressure: 16 bar;
- Anti-Backflow function;
- Some versions compliant with: NF or KIWA.



cod. **560170** 1/2" brass - box
 cod. **560160** 3/8" brass - box

ECO

Inlet valve



SPECIFIC FEATURES

- Piston closing system (mechanical);
- Side inlet valve, with 3/8" plastic connection;
- Dynamic pressure functioning range: 0.5 - 8 bar;
- Maximum static pressure: 10 bar;
- Anti-backflow function.

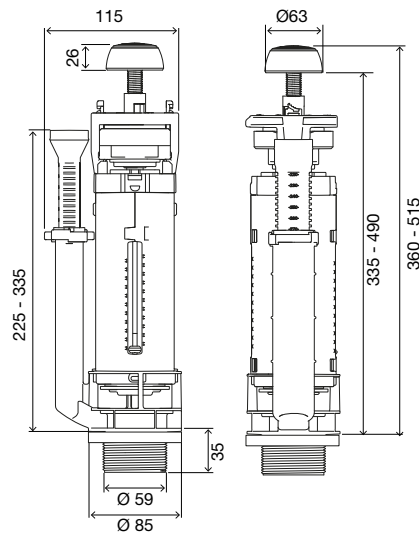


cod. **561058** 3/8" plastic - bag



APOLO

Outlet valve



SPECIFIC FEATURES

- Dual flush outlet valve with adjustable half and complete water flush volume;
- Universal top push button position that locks the ceramic lid;
- Lateral overflow pipe, higher and easy adjustment;
- Lock/unlock system at the top, one step;
- Allows the off center of the button in ceramic lid 360° with 10° of inclination for each axis
- Mechanical actuation <20N;
- Efficient flush with high flow rate;
- Damping system – silent operation;
- Easy maintenance (bayonet system);
- Silicone seal;
- Compliant with: Watermark, NF.

INCLUDED

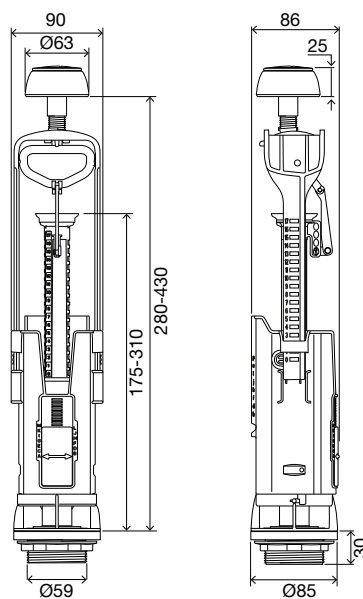
- Ceramic cistern fixation system to the WC toilet;
- WC toilet seal foam (that compensates the ceramic irregularity);
- Self-adjustable chrome push button with rosette for cisterns with lid holes from Ø16 to Ø60mm.



cod. 883098

BETA

Outlet valve



SPECIFIC FEATURES

- Dual flush outlet valve with adjustable half and complete water flush volume;
- Universal top push button position that locks the ceramic lid;
- Adjustable telescopic overflow pipe and;
- Simpler adjustment of full / half flush;
- Efficient flush with high flow rate;
- Silent operation (damping system);
- According with NF.

INCLUDED

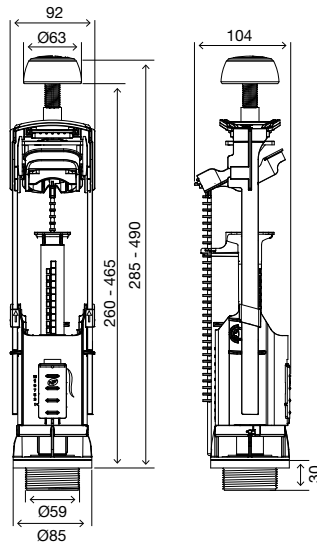
- Ceramic cistern fixation system to the WC toilet;
- WC toilet seal foam (that compensates the ceramic irregularity);
- Self-adjustable chrome push button with rosette for cisterns with lid holes from Ø 16 to Ø 60mm.



cod. 884443 Box

ATLAS

Outlet valve



SPECIFIC FEATURES

- Dual flush outlet valve with adjustable half and complete water flush volume;
- Universal top push button position that locks the ceramic lid;
- Allows the off center of the button on the ceramic lid (25mm on each axis);
- Mechanical actuation <20N;
- Efficient flush with high flow rate;
- Damping system - silent operation;
- Adjustable telescopic overflow pipe and adjustable lever height;
- Silicone seal;
- Upon request some versions compliant with: NF, SAI and WATERMARK.

INCLUDED

- Ceramic cistern fixation system to the WC toilet;
- WC toilet seal foam (that compensates the ceramic irregularity);
- Self-adjustable chrome push button with rosette for cisterns with lid holes from Ø16 to Ø60mm.

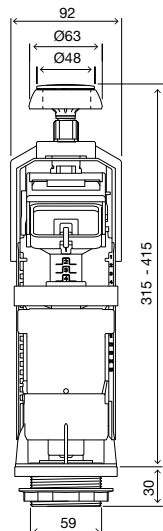


cod. **135948** Bag

cod. **011967** Box

FAST START/STOP

Outlet valve



SPECIFIC FEATURES

- Single flush outlet valve with start/stop system;
- Universal top push button position that locks the ceramic lid;
- Allows the off center of the button on the ceramic lid (20mm on one axis);
- Mechanical actuation <20N;
- Efficient flush with high flow rate;
- Adjustable telescopic overflow pipe and adjustable lever height;
- Easy installation and maintenance (bayonet system);
- Adaptors for older mechanism ceramic support*.

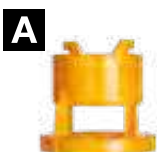
INCLUDED

- Ceramic cistern fixation system to the WC toilet;
- WC toilet seal foam (that compensates the ceramic irregularity);
- Self-adjustable chrome push button with rosette for cisterns with lid holes from Ø16 to Ø60mm.



cod. **886421** Bag

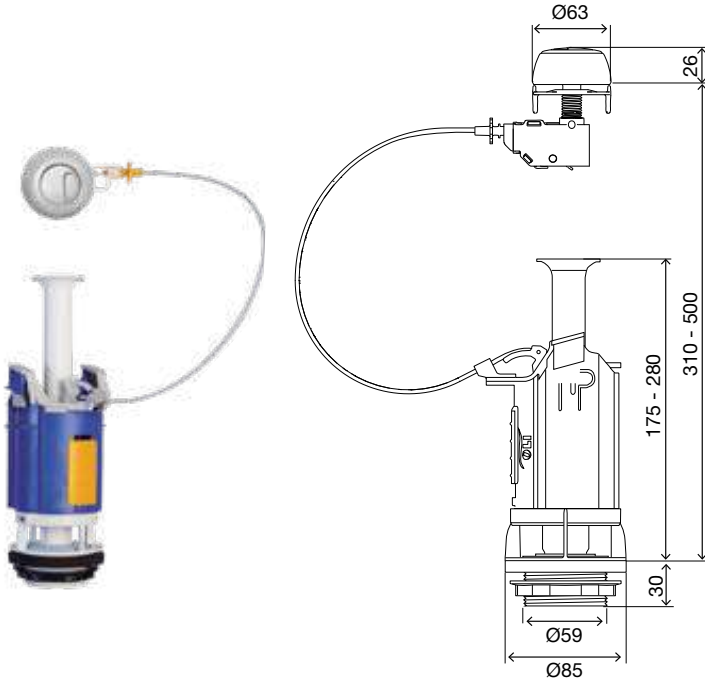
cod. **887291** Box*



*Adaptors included in the outlet valve FAST START/STOP. These adaptors are compatible with ROCA ceramic tanks and allow the replacement of the outlet valve without the need to remove the ceramic cistern.

ATLAS CABLE

Outlet valve



SPECIFIC FEATURES

- Dual flush outlet valve with adjustable half and complete water flush volume;
- Universal and flexible application (front, top or side push button position);
- Cable actuation < 20 N;
- Efficient flush with high flow rate;
- Damping system - silent operation;
- Adjustable telescopic overflow pipe;
- Silicone seal;
- Upon request some versions compliant with: NF.

INCLUDED

- Ceramic cistern fixation system to the WC toilet;
- WC toilet seal foam (that compensates the ceramic irregularity);
- Self-adjustable chrome push button with rosette for cisterns with lid holes from Ø16 to Ø60mm.

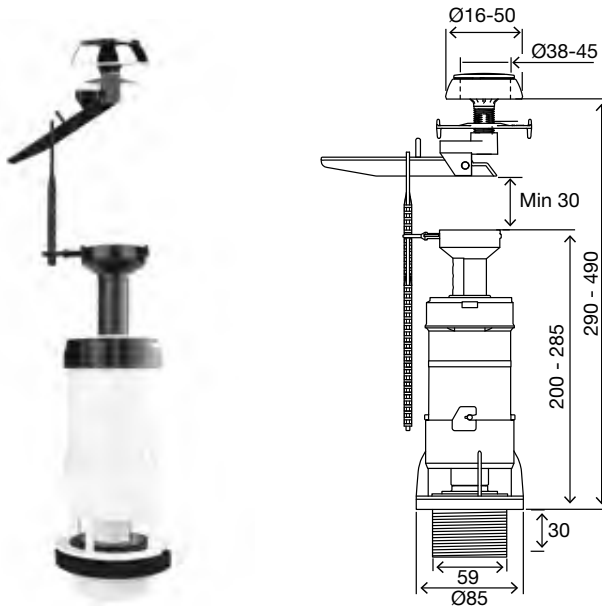


cod. **022369** Bag

cod. **501120** Box

PUSH ECO

Outlet valve



SPECIFIC FEATURES

- Single flush outlet valve;
- Universal top push button position;
- Mechanical actuation < 20N;
- High flow rate flush;
- Adjustable telescopic overflow pipe;
- Easy installation and maintenance;
- EPDM seal.

INCLUDED

- Ceramic cistern fixation system to the WC toilet;
- WC toilet seal foam (that compensates the ceramic irregularity);
- Self-adjustable chrome push button with rosette for cisterns with lid holes from Ø16 to Ø50mm.

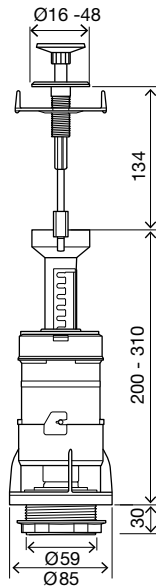


cod. **886108** Box

cod. **887290** Bag

ECO TIRETTE

Outlet valve



SPECIFIC FEATURES

- Single flush outlet valve;
- Universal top pull button position;
- Mechanical actuation <20N;
- High flow rate flush;
- Adjustable telescopic overflow pipe;
- Easy installation and maintenance;
- EPDM seal.

INCLUDED

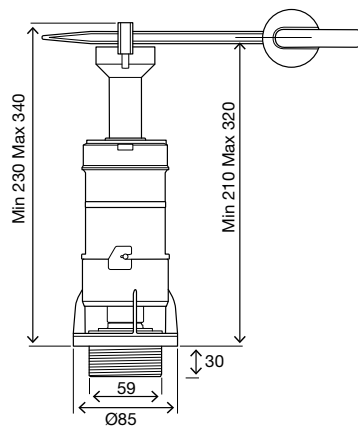
- Ceramic cistern fixation system to the WC toilet;
- WC toilet seal foam (that compensates the ceramic irregularity);
- Chrome pull button for cisterns with lid holes from Ø16 to Ø40mm.



- cod. **886387** Box - for high ceramic tanks
 cod. **886378** Box

HANDLE

Outlet valve



SPECIFIC FEATURES

- Single flush outlet valve;
- Universal front handle button position;
- Mechanical actuation <20N;
- High flow rate flush;
- Adjustable telescopic overflow pipe;
- Easy installation and maintenance;
- EPDM seal.

INCLUDED

- Ceramic cistern fixation system to the WC toilet;
- WC toilet seal foam (that compensates the ceramic irregularity);
- Chrome handle button for cisterns with Ø16 hole.



- cod. **886428** Box



OLIPURE KIT



SPECIFIC FEATURES

- OLlpure system;
- Azor side 3/8" brass connection;
- 350mm Refill connection pipe;
- 130mm Outlet valve connection pipe;
- Only suitable for ceramic cisterns with side connections and Quarzo exposed cistern.



cod. **101768** Box

MECHANISMS KIT

	ATLAS CABLE	PUSH ECO	FAST START STOP	BETA
 UNI BOTTOM	 883625 bag	 886333 bag	 886489 bag	-
 ECO	-	 886098 bag	-	-
 COMPACT ASTRO	 882003 bag	-	 886328 bag	 887860 bag
 IVC100	 099938 bag	-	-	-

ACCESSORIES - MECHANISMS



SIDE COVER

- Cover for side connection ceramic tanks.

cod. **493065** Polished Chrome

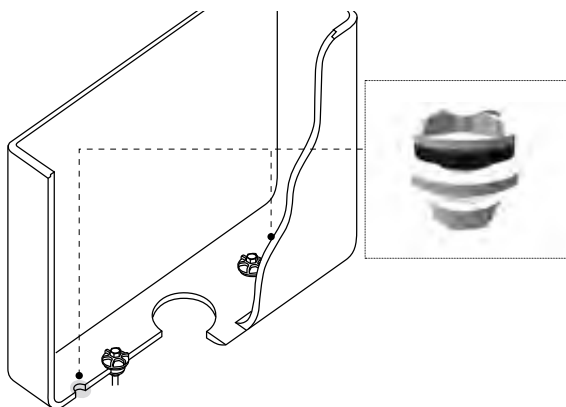
cod. **493064** White



AMBIWAVE

- Liquid disinfectant for toilet;
- 450ml dosage;
- 12 units per pack.

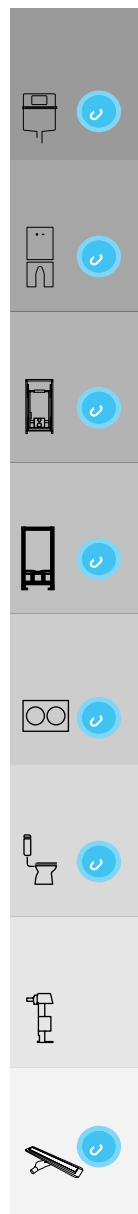
cod. **879955**






















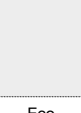
BOTTOM COVER




- Cover for bottom connection ceramic tanks.

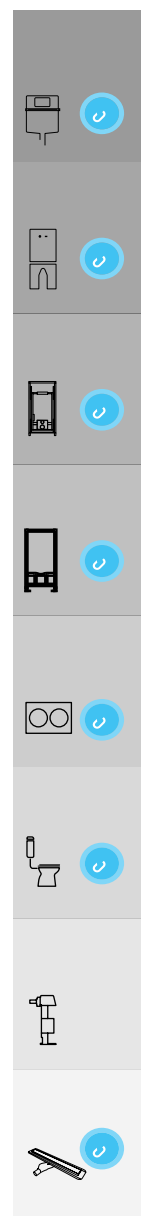
cod. **58025**















PART NUMBER GUIDE

	Bottom water supply		Side water supply		Upon request versions compliant with					
										
 OLI ONE	-	-	884379 3/8" brass/plastic box		-	-	-	-	-	-
 AG104 PLUS	883103 1/2" plastic bag		-		●	-	-	-	●	-
	-		883099 1/2" plastic bag		●	-	-	-	●	-
 AZOR PLUS	020864(bottom) 3/8" brass box				-	-	●	●	-	-
	020863 (side) 3/8" brass box				-	●	●	●	-	●
 IVC100 PLUS	883706 3/8" brass box				-	-	-	-	-	-
	883818 3/8" brass bag				-	-	-	-	-	-
 IVC102 PLUS	879285 1/2" plastic bag		-		-	-	-	-	-	-
	878737 15/16" plastic bag		-		-	-	-	-	-	●
 COMPACT	-		880305 3/8" brass box		-	●	●	-	-	-
	-		561598 3/8" brass bag		-	●	●	-	-	-
 JOLLY UNI	-		560160 3/8" brass box		560170 1/2" brass box	-	●	●	-	-
 UNI BOTTOM	879622 3/8" brass bag		022371 1/2" brass bag		-		-		-	
	563571 3/8" plastic bag		044995 1/2" plastic bag		-		-		-	
	562160 3/8" brass box				-		-		-	
 Eco	-	-	561058 3/8" plastic bag		-	-	-	-	-	-
 OLIpure Kit	-	-	101768		-	-	-	-	-	-

 WxDxH	Weight	Qt.	 Multiple Box Dim	Weight	Qty per Pallet	Pallet Height	 Pallet Width	Pallet Length	Weight
151x71x261	0.4	30	595x391x500	14	600	1.200	0.800	2.650	270.6
260x0.07x460	0.3	50	595x391x500	15	1000	1.200	0.800	2.660	290.0
260x0.07x460	0.2	50	595x391x500	12	1000	1.200	0.800	2.660	232.0
146x76x326	0.4	20	600x400x435	9	400	1.200	0.800	2.335	178.0
151x71x261	0.3	30	595x391x500	11	600	1.200	0.800	2.650	216.0
151x71x261	0.4	30	595x391x500	12	600	1.200	0.800	2.660	247.8
260x0.07 x460	0.3	50	595x391x500	17	1000	1.200	0.800	2.660	335.0
260x0.050x480	0.2	35	595x391x500	10	700	1.200	0.800	2.660	202.3
210x0.03x330	0.2	35	595x391x250	10	700	1.200	0.800	1.410	203.7
151x71x261	0.3	30	595x391x500	11	600	1.200	0.800	2.650	216.0
260x0.07 x460	0.2	60	595x391x500	16	1200	1.200	1.000	2.160	322.8
151x71x261	0.3	30	595x391x500	10	600	1.200	0.800	2.660	197.4
200x0.1x530	0.2	40	595x391x500	8	800	1.200	1.000	2.160	152.8
101x86x401	0.2	20	595x391x500	4	400	1.200	1.000	2.160	80.0
260x0.07 x460	0.1	100	760x496x480	16	1200	1.200	1.000	2.660	186.0
161x116x261	0.5	17	595x391x500	9	340	1.200	1.000	2.160	170.0



PART NUMBER GUIDE

					compliance		
	Dual Flush	Single flush	Start/Stop	Dimensions		kiwa	
APOLO 	883098 box	-	-	288(H) 108 x 58 (W x D)	●	-	●
BETA 	884443 box	-	-	288(H) 108 x 58 (W x D)	●	-	-
ATLAS CABLE 	022369 bag 501120 box	-	-	288(H) 108 x 58 (W x D)	●	-	-
ATLAS 	135948 bag 011967 box	-	-	288(H) 108 x 58 (W x D)	●	-	●
FAST STAR/STOP 	-	-	886421 bag 887291 box	288(H) 108 x 58 (W x D)	-	-	-
PUSH ECO 	-	887290 bag 886108 box	-	288(H) 108 x 58 (W x D)	-	-	-
TIRETTE ECO 	-	886387* box 886378 box	-	288(H) 108 x 58 (W x D)	-	-	-
HANDLE 	-	886428 box	-	288(H) 108 x 58 (W x D)	-	-	-

* High ceramic tanks

WxDxH	Weight	Qt.	Multiple Box Dim	Weight	Qty per Pallet	Pallet Height	Pallet Width	Pallet Length	Weight
260.8	0.62	30	595x391x500	20.253	600	2.66	0.8	1.2	405.06
119x105x355	0.5	20	595x391x500	13	320	1.200	0.800	2.160	200.6
300x0.07x550	0.4	30	595x391x500	13	480	1.200	0.800	2.160	215.5
119x105x311	0.5	20	595x391x500	10	400	1.200	1.000	1.600	200.0
300x0.07x550	0.5	26	595x391x500	14	520	1.200	0.800	2.660	281.8
119x105x355	0.6	20	595x391x500	13	400	1.200	1.000	2.660	262.0
300x0.07x550	0.6	20	595x391x500	12	500	1.200	1.000	2.660	300.0
300x0.07x550	0.6	20	595x391x500	12	500	1.200	1.000	2.660	300.0
300x0.07x550	0.4	20	595x391x500	10	400	1.200	1.000	2.660	202.0
119x105x311	0.4	20	595x391x500	10	400	1.200	1.000	2.160	192.8
119x105x311	0.4	20	595x391x500	9	500	1.200	1.000	2.660	234.5
119x105x311	0.4	20	595x391x500	9	500	1.200	1.000	2.660	234.5
119x105x311	0.4	20	595x391x500	10	500	1.200	1.000	2.660	244.0

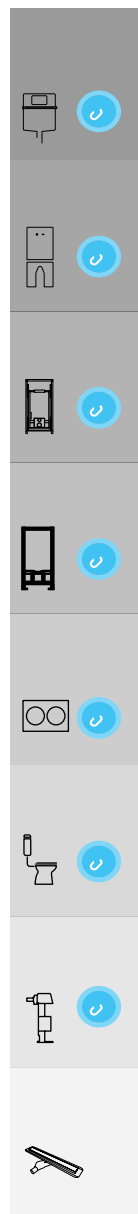


OLIFILO is OLI's range of shower drains, available in multiple sizes for floor or wall installation. The support legs allow for a height adjustment of the shower drain in order to adapt it, to the different installation requirements and depth. Stainless steel grates with a refined design available in lengths between 400mm to 1100mm.

EASE OF CLEANING AND DESIGN IN THE BATHROOM

X-WALL	170
CERAMIC	170
PREMIUM	171
BASIC	171
STANDARD	172
SQUARE	173

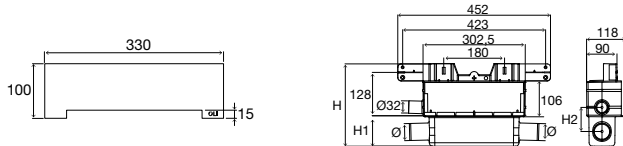
OLIFILO



Reduced mobility

Without maintenance

OLIFILO X-WALL



H	H1	H2
242	89,5	71

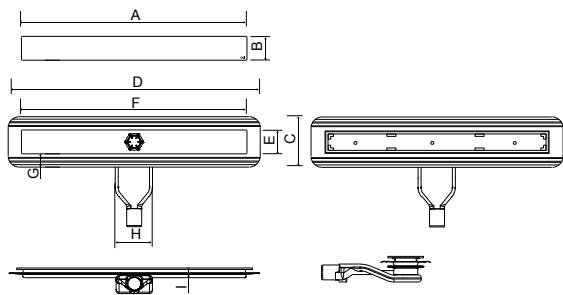
SPECIFIC FEATURES

- Minimum required installation height: 70 mm;
- Integrated A/C condensation drainage system;
- Pre-assembled waterproofing membrane;
- Excellent flow rate: 0,6 l/s (36 l/min);
- Excellent smell resistance 290 Pa (200 Pa required);
- Support coupling devices.



cod. **000201**

OLIFILO CERAMIC



A	B	C	D	E	F	G	H	I
800	60	135	875	64	804	35	100	73

SPECIFIC FEATURES

- Stainless steel body, grid for a ceramic finish;
- Easy to install and maintain;
- Ideal for people with reduced mobility;
- Flow rate: 0,6 l/s.



cod. **300330**

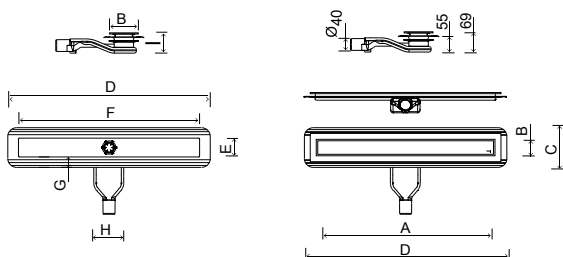


SUPPORT LEGS

- Available for Premium, Standard and Ceramic OLIFILO.

cod. **300300**

OLIFILO PREMIUM



A	B	C	D	E	F	G	H	I
836	96	135	875	64	804	35	100	70



SPECIFIC FEATURES

- Stainless steel body, grid with frame in brushed stainless steel;
- Easy to install and maintain;
- Ideal for people with reduced mobility;
- Flow rate: 0,6 l/s.



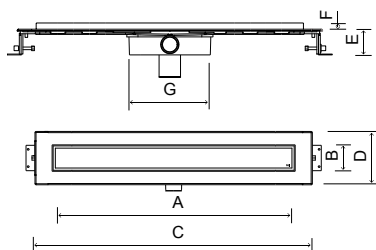
cod. **300301**

SUPPORT LEGS

- Available for Premium, Standard and Ceramic OLIFILO.

cod. **300300**

OLIFILO BASIC



A	B	C	D	E	F	G	H	I
403	66	488	132	72	14	197	Ø40	Ø50
603	66	688	132	72	14	197	Ø40	Ø50
703	66	788	132	72	14	197	Ø40	Ø50
803	66	888	132	72	14	197	Ø40	Ø50

SPECIFIC FEATURES

- Stainless steel body, grid in shiny stainless steel satin;
- Easy to install and maintain;
- Ideal for people with reduced mobility;
- Support legs included;
- Flow rate: 0,6 l/s.

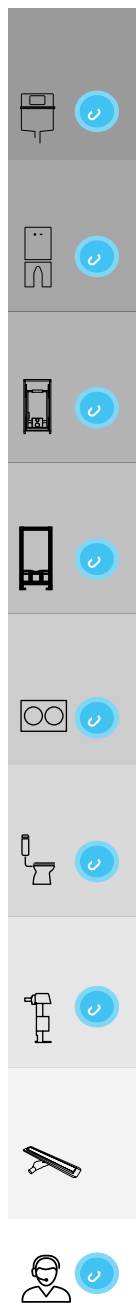


cod. **300341** 40

cod. **300340** 60

cod. **300347** 70

cod. **300342** 80



OLIFILO STANDARD



SPECIFIC FEATURES

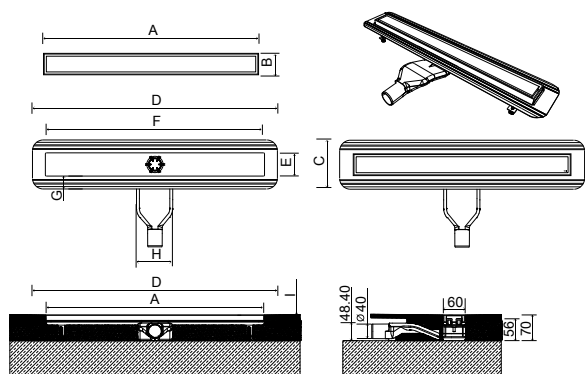
- Stainless steel body, smooth grid in brushed stainless steel;
- Easy to install and maintain;
- Ideal for people with reduced mobility;
- Flow rate: 0,6 l/s.



cod. **300310** 70

cod. **300312** 80

cod. **300314** 90



A	B	C	D	E	F	G	H	I
700	60	135	775	64	704	35	100	70
800	60	135	875	64	804	35	100	70
900	60	135	975	64	904	35	100	70



SUPPORT LEGS

- Available for Premium, Standard and Ceramic OLIFILO.

cod. **300300**

OLIFILO SQUARE

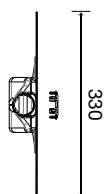
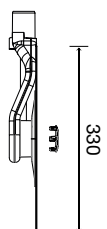
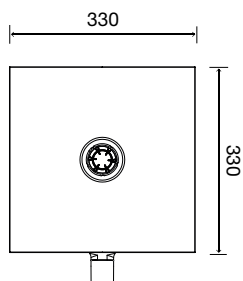
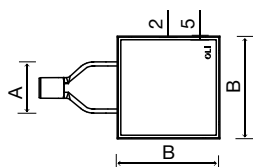
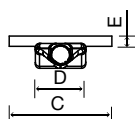
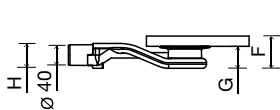


SPECIFIC FEATURES

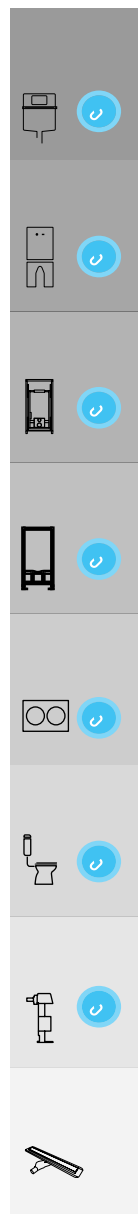
- Square siphon shower drain in brushed stainless steel 20x20;
- Easy to install and maintain;
- Ideal for people with reduced mobility;
- Flow rate: 0,6 l/s.



cod. 000160



A	B	C	D	E	F	G	H
100	200	200	98	20	63	43	48



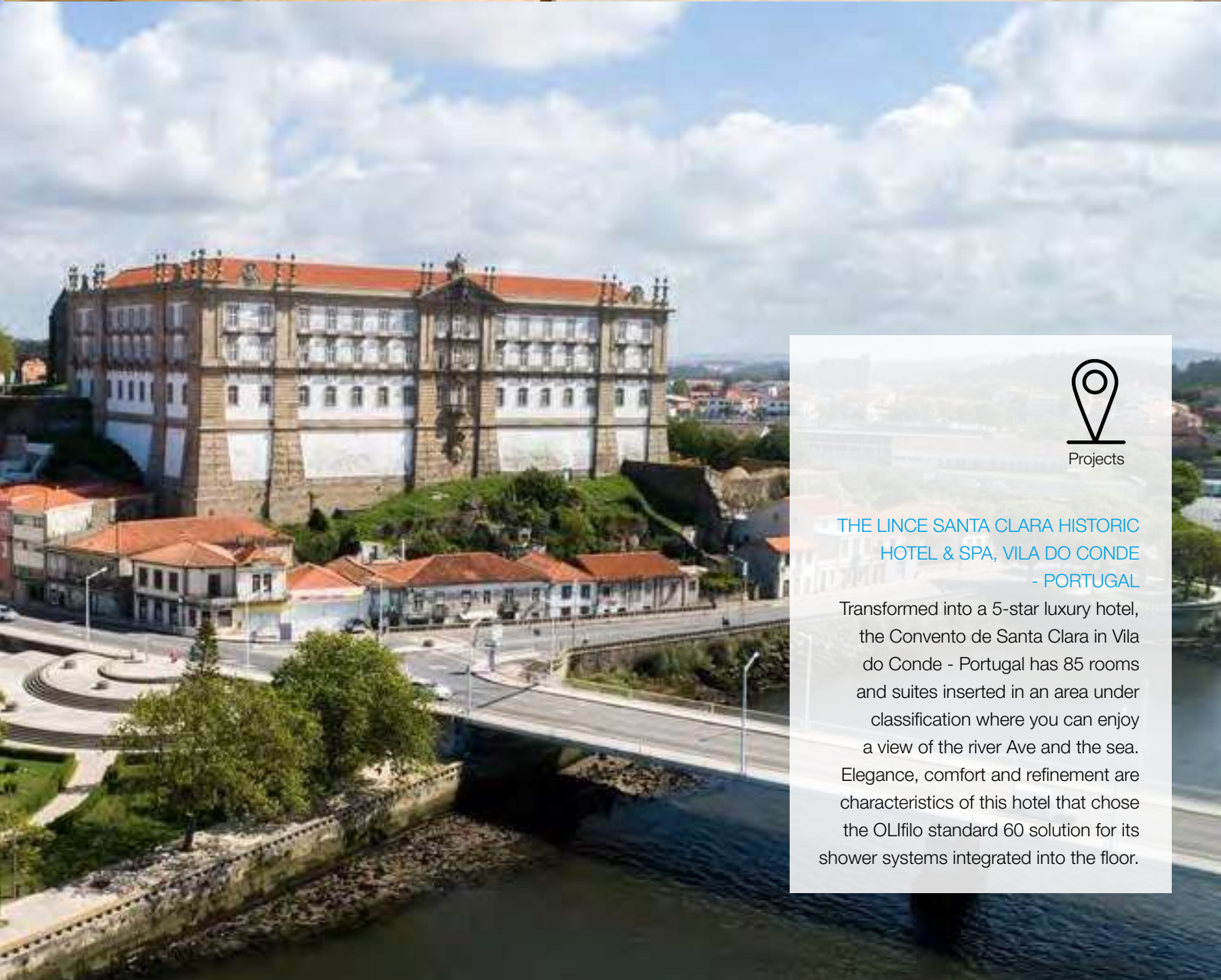


Projects

MARTIN CORONADO 3300, BUENOS

MARTIN CORONADO 3300 is a 29,000 m² luxury residential building located in Buenos Aires, the capital of Argentina. Each unit in this building is built under the highest quality standards, each with its own private pool. In addition to OLI's in-wall cisterns and flush plates, here we can find the OLIFILO SQUARE and OLIFILO CERAMIC shower systems integrated into the floor.











Projects

THE LINCE SANTA CLARA HISTORIC
HOTEL & SPA, VILA DO CONDE
- PORTUGAL

Transformed into a 5-star luxury hotel, the Convento de Santa Clara in Vila do Conde - Portugal has 85 rooms and suites inserted in an area under classification where you can enjoy a view of the river Ave and the sea. Elegance, comfort and refinement are characteristics of this hotel that chose the OLIfilo standard 60 solution for its shower systems integrated into the floor.

PART NUMBER GUIDE

	FLOOR	WALL	SUPPORT LEGS	20 mm	30 mm	40 mm	50 mm	60 mm	70 mm	80 mm	90 mm
OLIFILO PREMIUM 	●	-	300300	-	-	-	-	-	-	300301	-
OLIFILO STANDARD 	●	-	300300	-	-	-	-	-	300310	300312	300314
OLIFILO CERAMIC 	●	-	300300	-	-	-	-	-	-	300330	-
OLIFILO BASIC 	●	-	-	-	-	300341	-	300340	300347	300342	-
OLIFILO X-WALL 	-	●	-	-	000201	-	-	-	-	-	-
OLIFILO SQUARE 	●	-	-	000160	-	-	-	-	-	-	-

WxDxH	Weight	Qt.	Multiple Box Dim	Weight	Qty per Pallet	Pallet Height	Pallet Width	Pallet Length	Weight
160x920x140	6	-	-	-	96	1850	850	1250	307
160x920x140 /70/80 160x1180x140 /90	3.4	-	-	-	96-70/80 55 90"	1850	950 70/80 800 90"	1250 70/80 1200 90"	288/70 330/80 191/90
160x920x140	4	-	-	-	96	1850	950	1250	375
150x150x560 /40 160x690x140 /60x 160x850x140 /70 160x920x140 /80	0,920/40 1.05/60 1.65/70 1.75/80	-	-	-	120/40 112/60 96/70 96/80	800/40 850/60 900/70 950/80	120/40 125/60/70/80	185/40/60/70/80	120/40 117/60 158/70 168/80
475x265x155	1.5	-	-	-	98	2400	800	1200	158
130x420x240	2	-	-	-	240	1850	1000	1200	409

A vertical sidebar on the right side of the page containing several icons and circular refresh buttons. From top to bottom, the icons are: a water tap, a person, a printer, a smartphone, a laptop, a pair of glasses, a person, a pencil, and a person wearing a headset. Each icon is accompanied by a blue circular refresh button.

ONLINE SUPPORTS

CUSTOMER SUPPORT

ALWAYS CONTACT OLI SUPPORT THROUGH PHONE OR E-MAIL

OLI provides phone contact +351 234 300 200 and email export@oli-world.com to provide a close accompaniment throughout the year for every project.

OLI ON SOCIAL MEDIA

FOLLOW ALL OLI UPDATES AND NEWS



BIM

OLI IS COMMITTED TO BE AT THE FOREFRONT OF DEVELOPMENT IN THE CONSTRUCTION SECTOR.

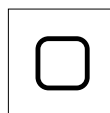
BIM is the new standard of construction and facilitates the transfer of information between stakeholders and enables integrated management throughout the product life cycle. www.oli-world.com/en/services-/bim-objects/



COLORADD

INNOVATION AND SOCIAL VANGUARD

OLI is the first sanitary systems company in the world to adopt ColorADD, a unique, universal and transversal code that allows colour blind people to correctly identify colours.



White



Black
Black Soft Touch



Matt chrome
Chrome



Anthracite
Grey Soft Touch



RedTaupe



Gold



Polished Chrome

OLI TECH

OLI TECH WAS DEVELOPED FOR SMARTPHONE AND TABLET TO PROVIDE DIRECT ACCESS TO USEFUL INFORMATION FOR PROFESSIONALS.

Get quick access to technical data sheets, assembly instructions, maintenance videos and products characteristics that OLI offers to market.

Download OLI TECH through the QR-CODES and give feedback to: communication@oli-world.com



Virtual showroom:
www.oli-world.com/en/services-/showroom-360-/sanitary-systems

SHOWROOM 360°

PRESENTS SEVERAL SOLUTIONS FOR SUSTAINABLE FLUSHING SYSTEMS, DUAL FLUSH FLUSH PLATES AND MECHANISMS FOR ALL TYPES OF WALLS AND TOILETS.

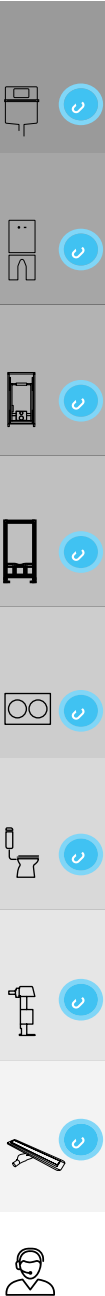
Browse and discover all the innovative and sustainable solutions in a configuration that brings you closer to the real installation.

Discover new products and find all the necessary information in an intuitive way!

GENERAL SALES CONDITIONS

The General Sales Conditions in force regulate all commercial transactions between OLI Sistemas Sanitários, S.A. and the customer and apply to all orders, deliveries, payments, returns and guarantees concerning goods, equipment, materials and services provided by OLI Sistemas Sanitários, S.A. the detailed document is available for consultation on the official website of OLI Sistemas Sanitários, S.A.

<https://www.oli-world.com/en/general-sales-conditions-/>



C.0050.07-02.2023
ZB030000000052



OLI-Sistemas Sanitários, S.A.
Travessa do Milão, Esgueira
3800-314 Aveiro, Portugal

T (+351) 234 300 200
F (+351) 234 300 212
www.oli-world.com
export@oli-world.com

Inspired by water...