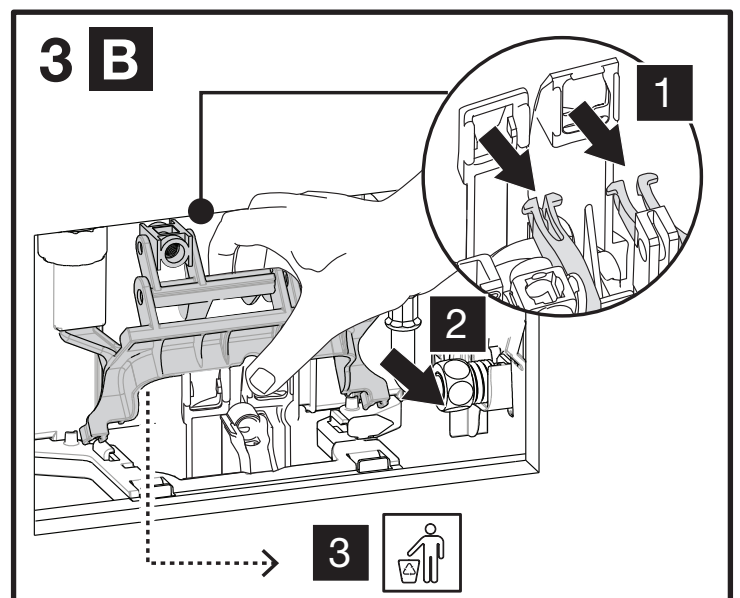
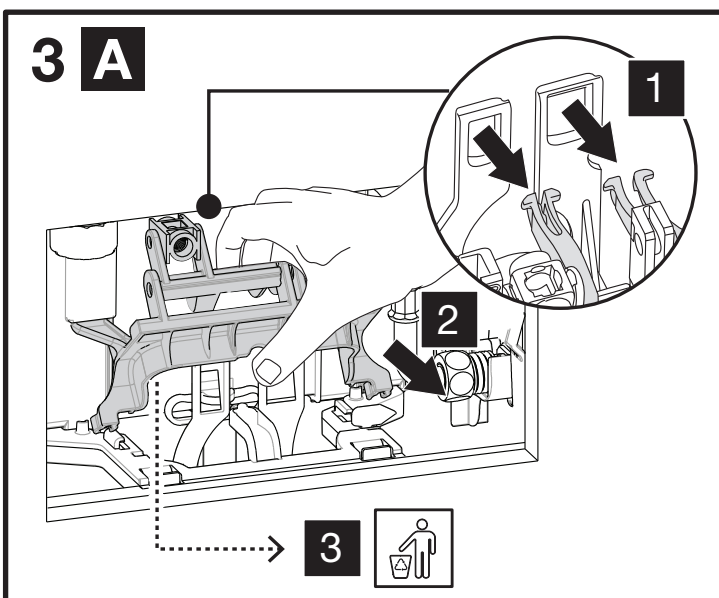
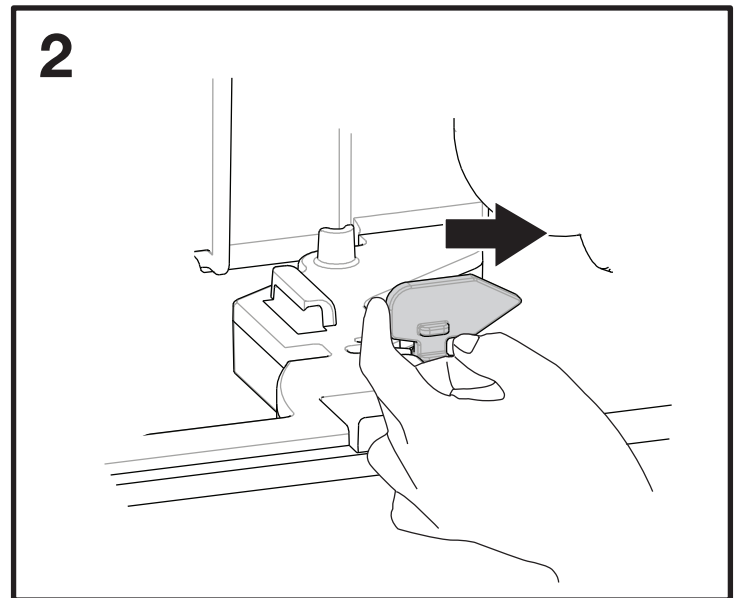
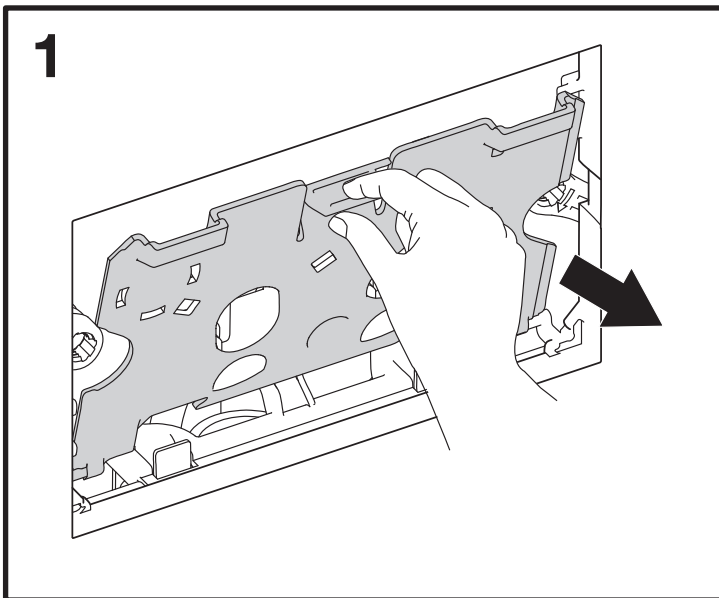
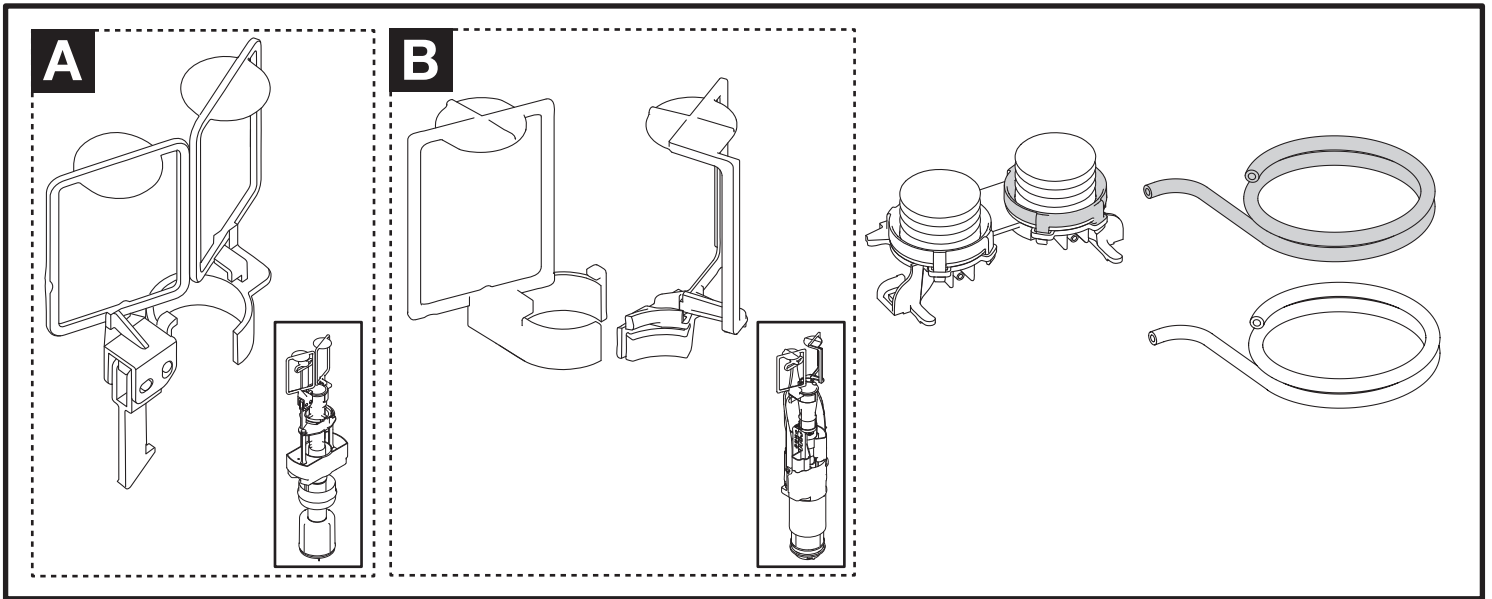
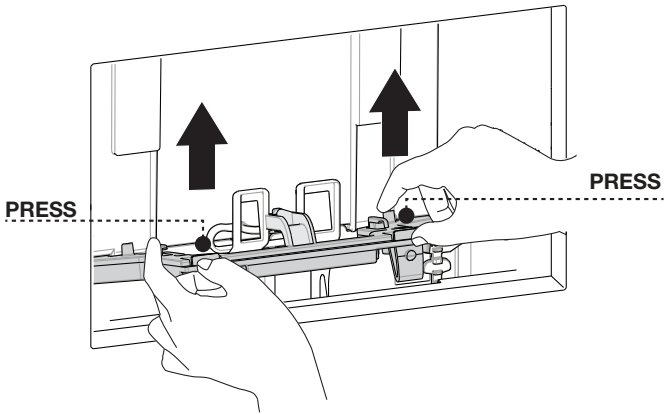


CONVERSION KIT

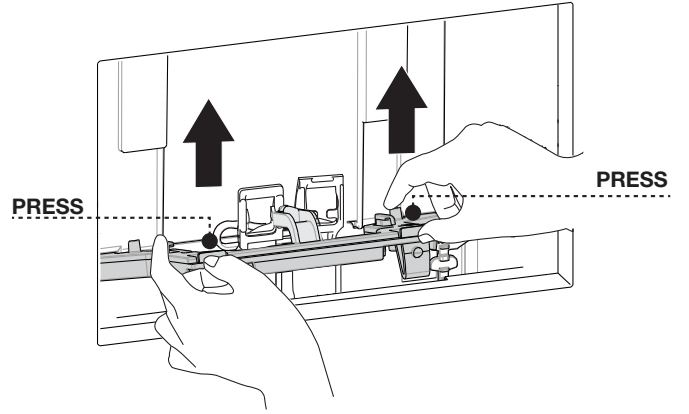
PNEUMATIC



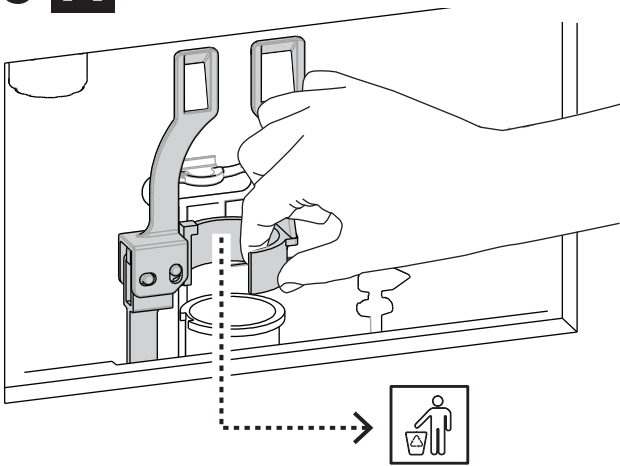
4 A



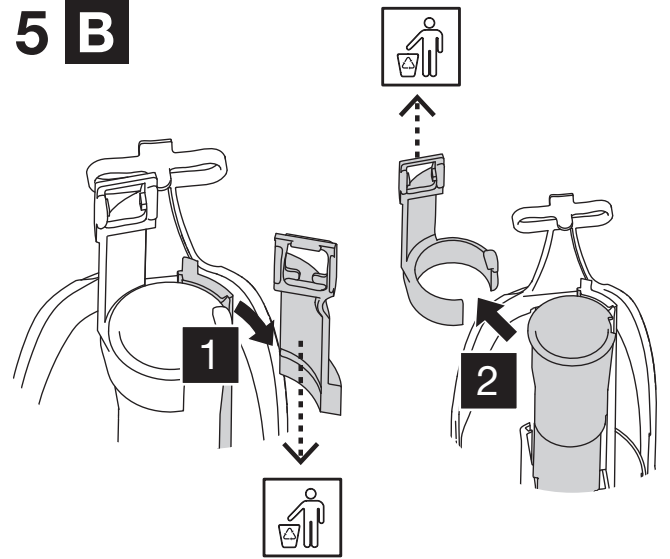
4 B



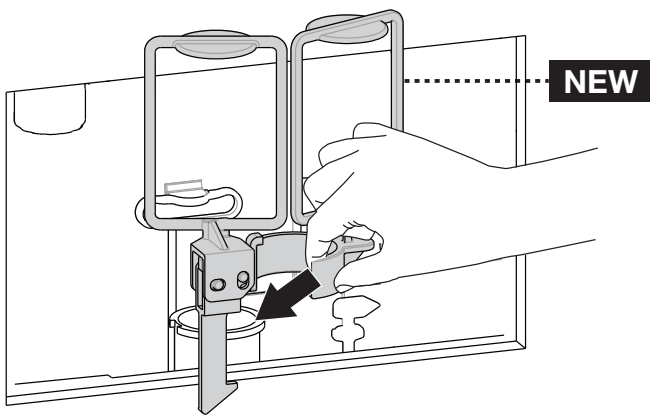
5 A



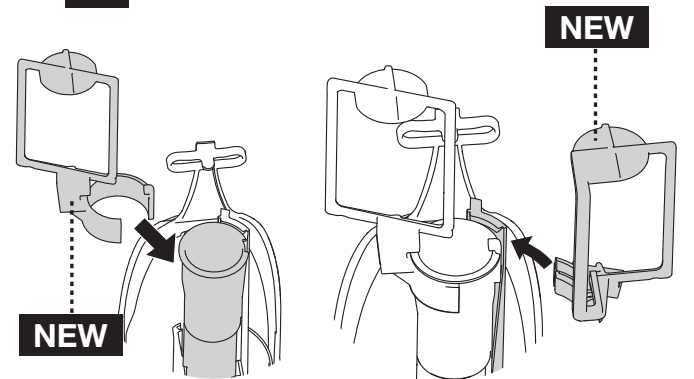
5 B

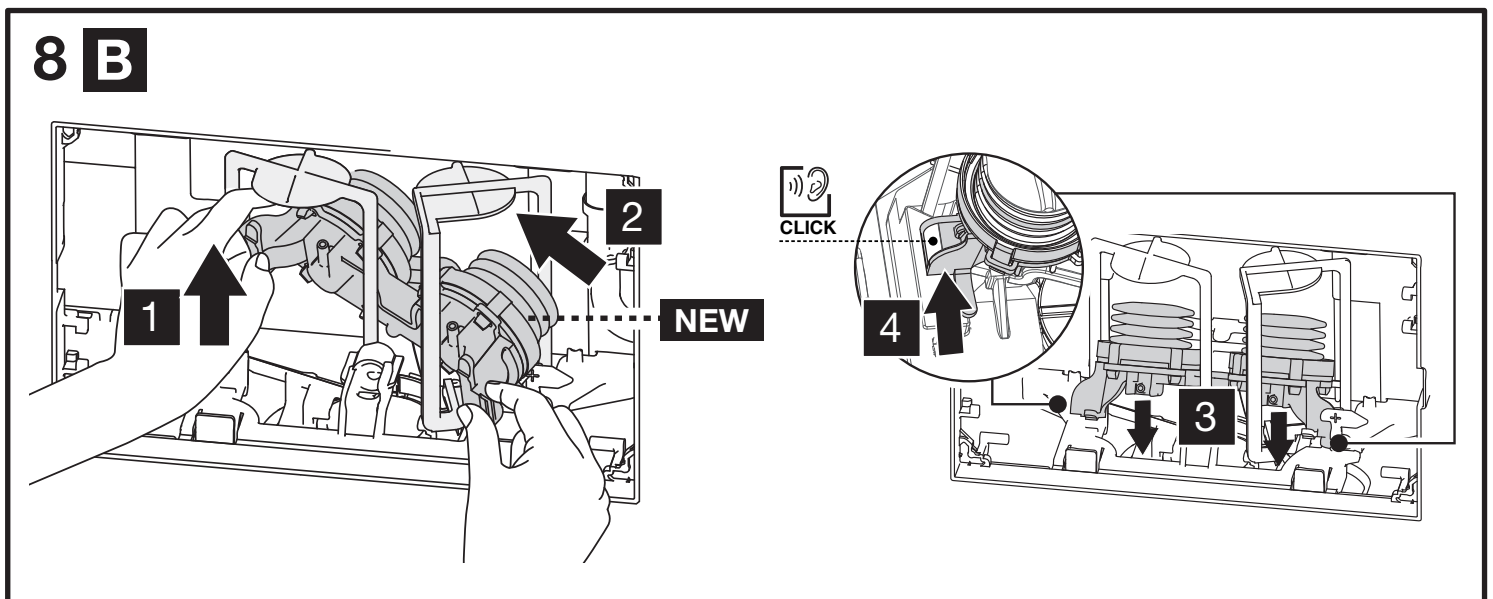
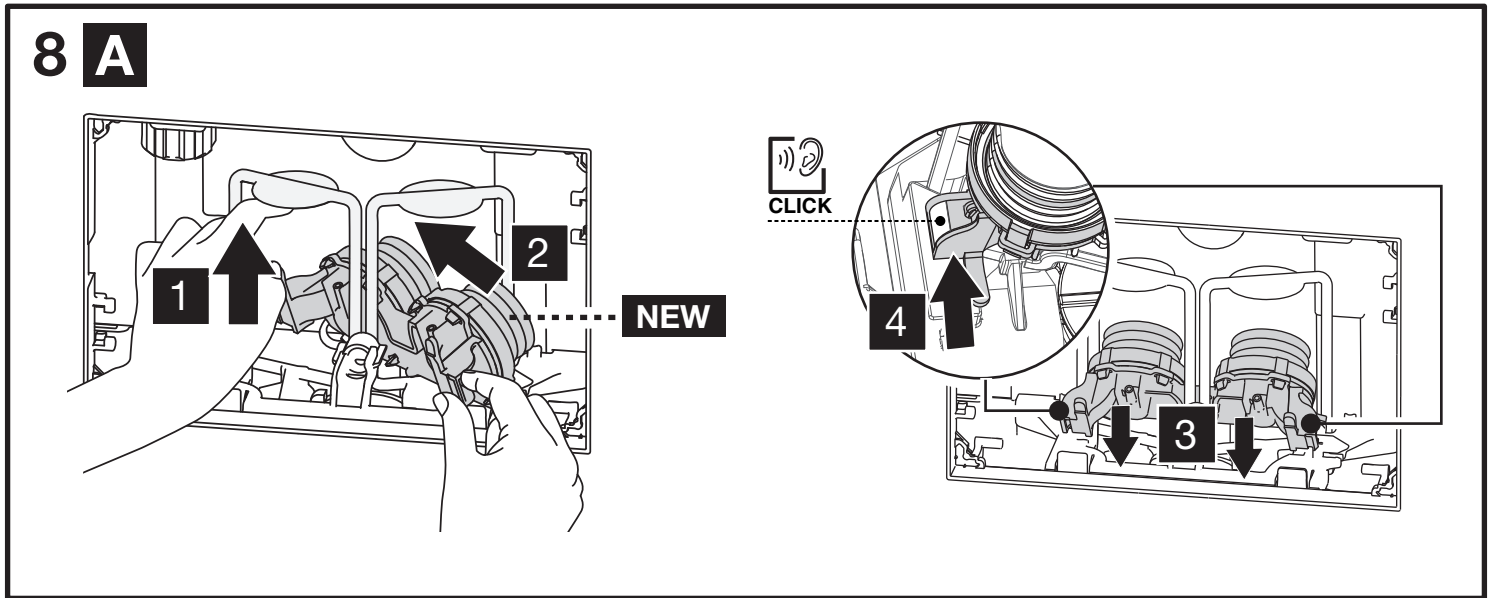
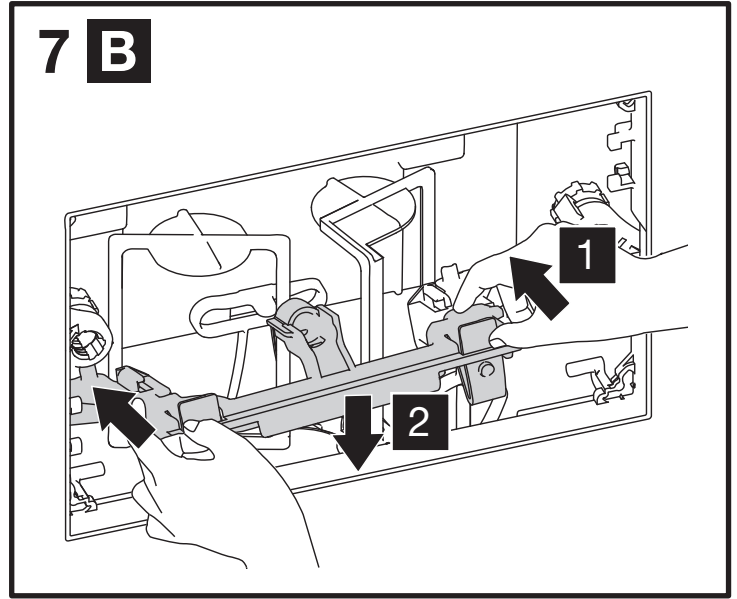
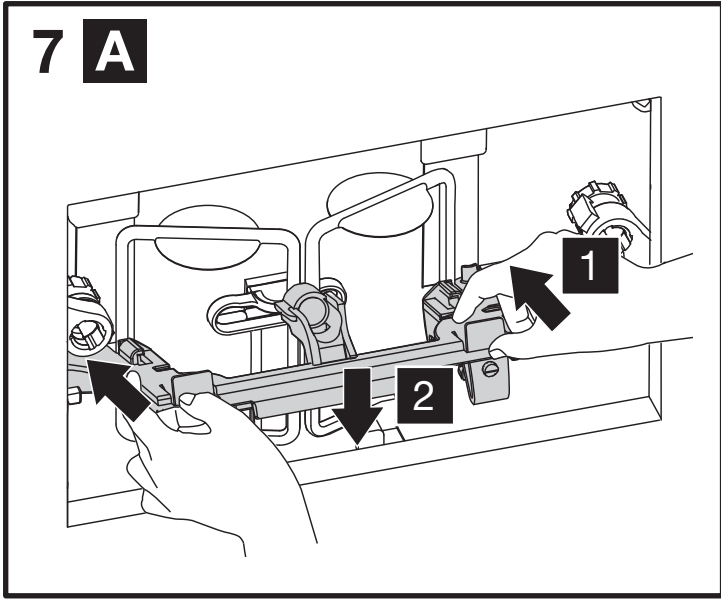


6 A

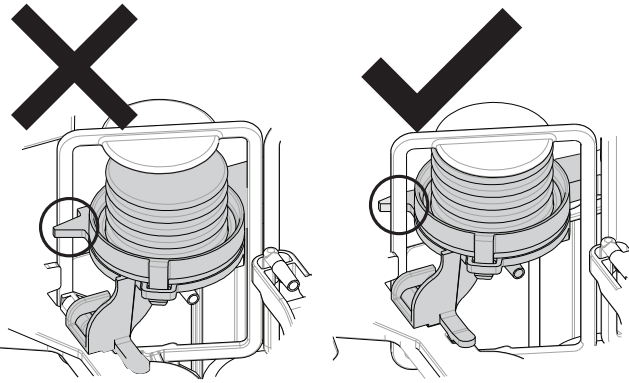


6 B

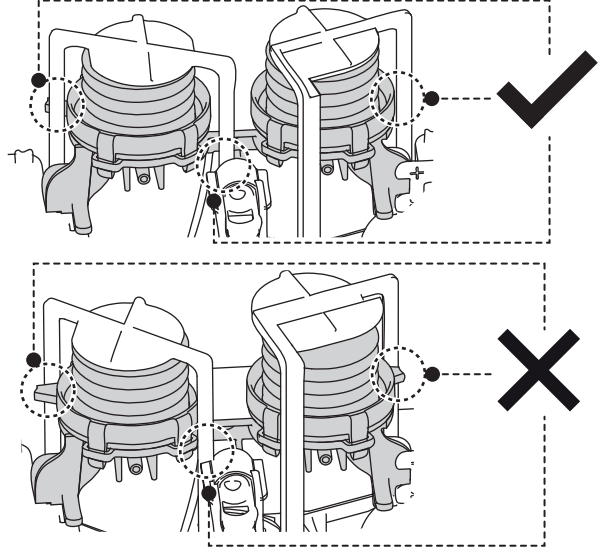




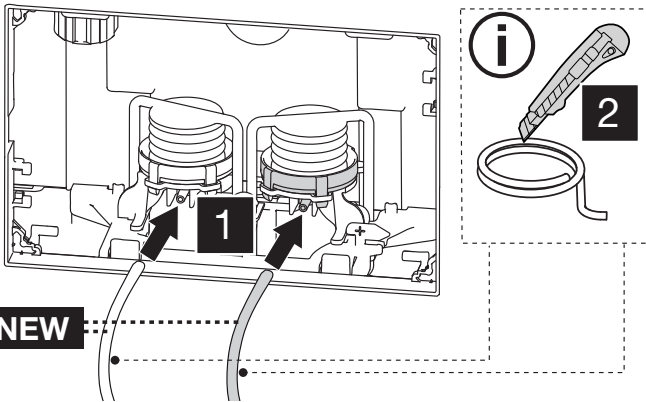
i A



i B



8 A



8 B

