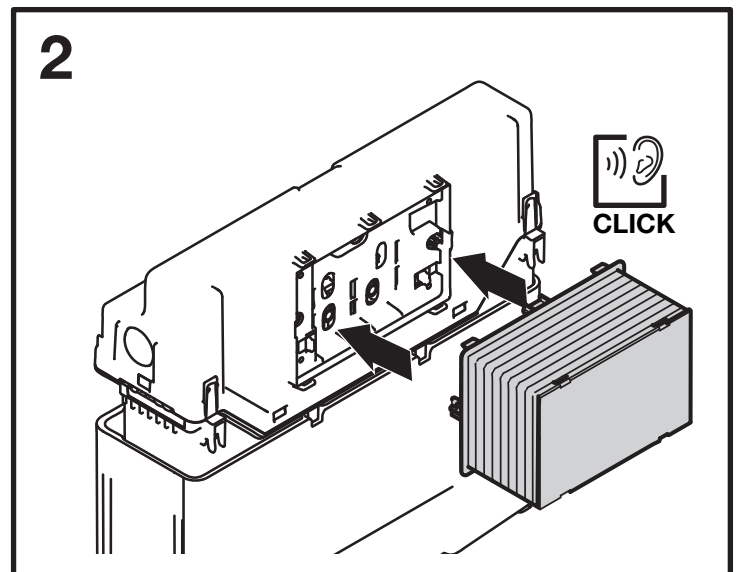
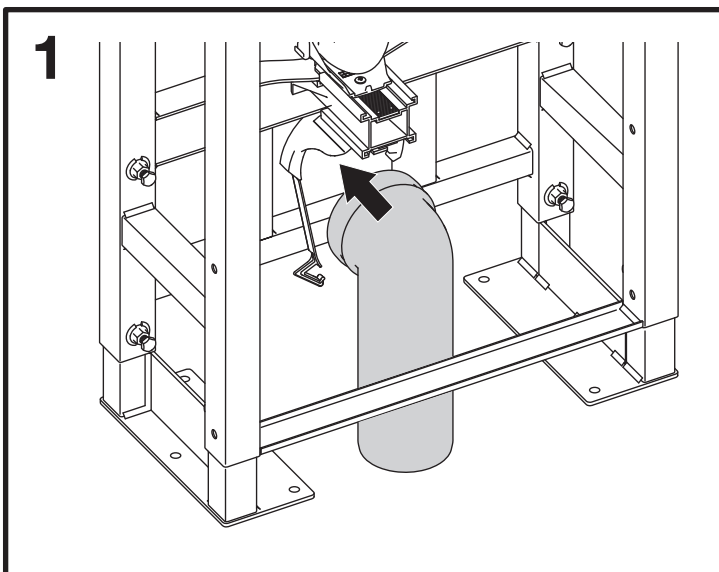
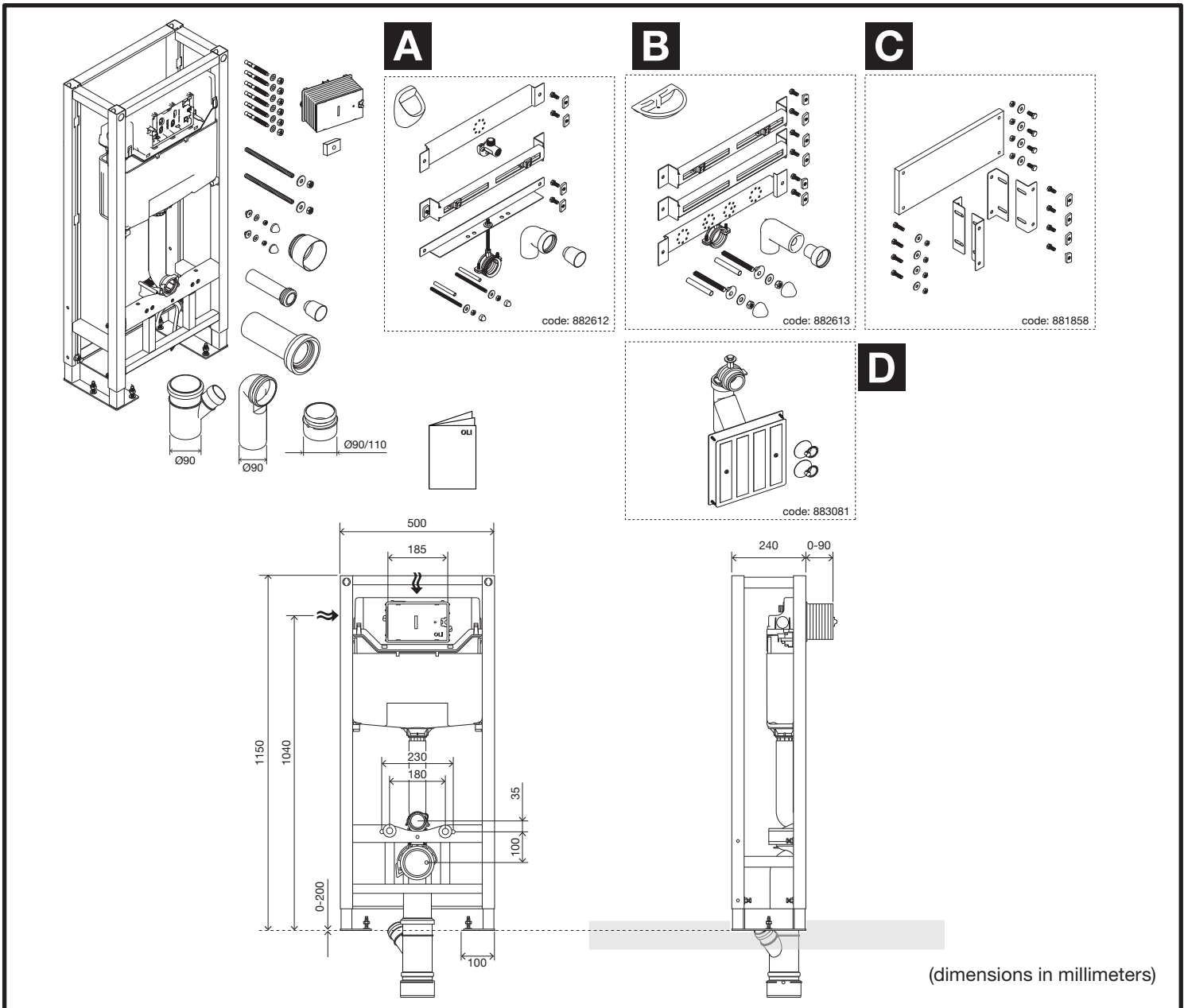
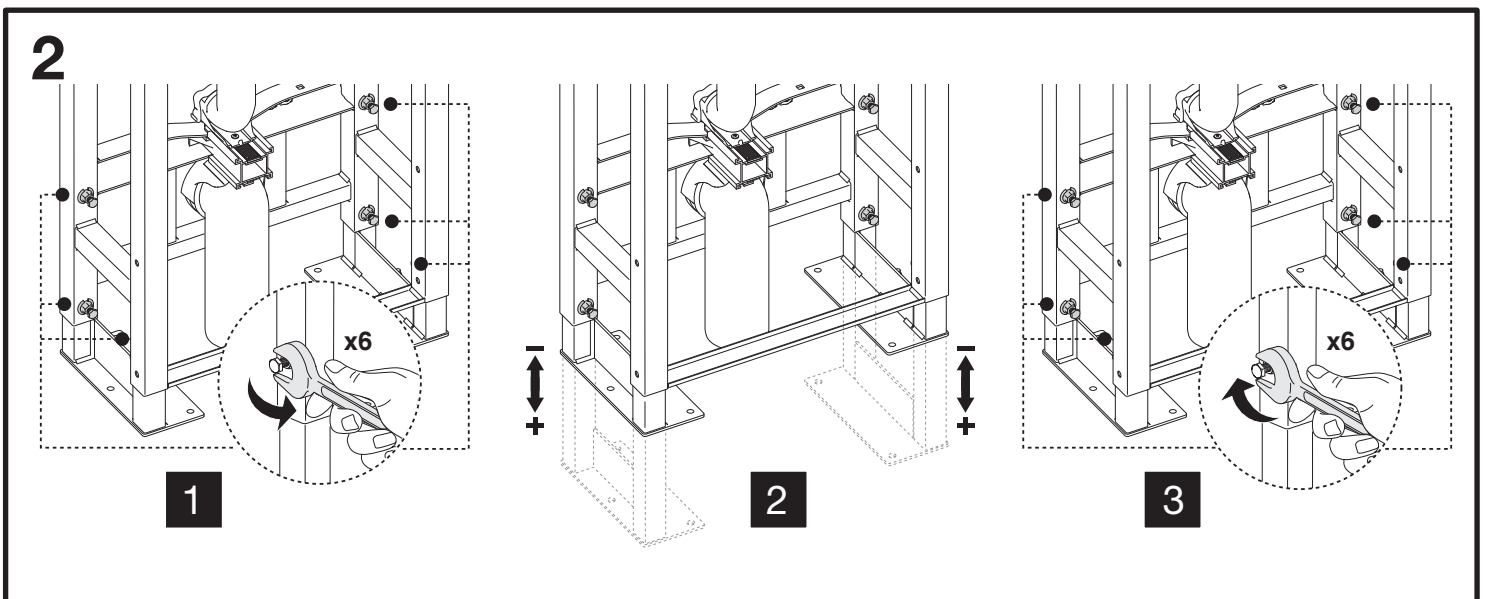
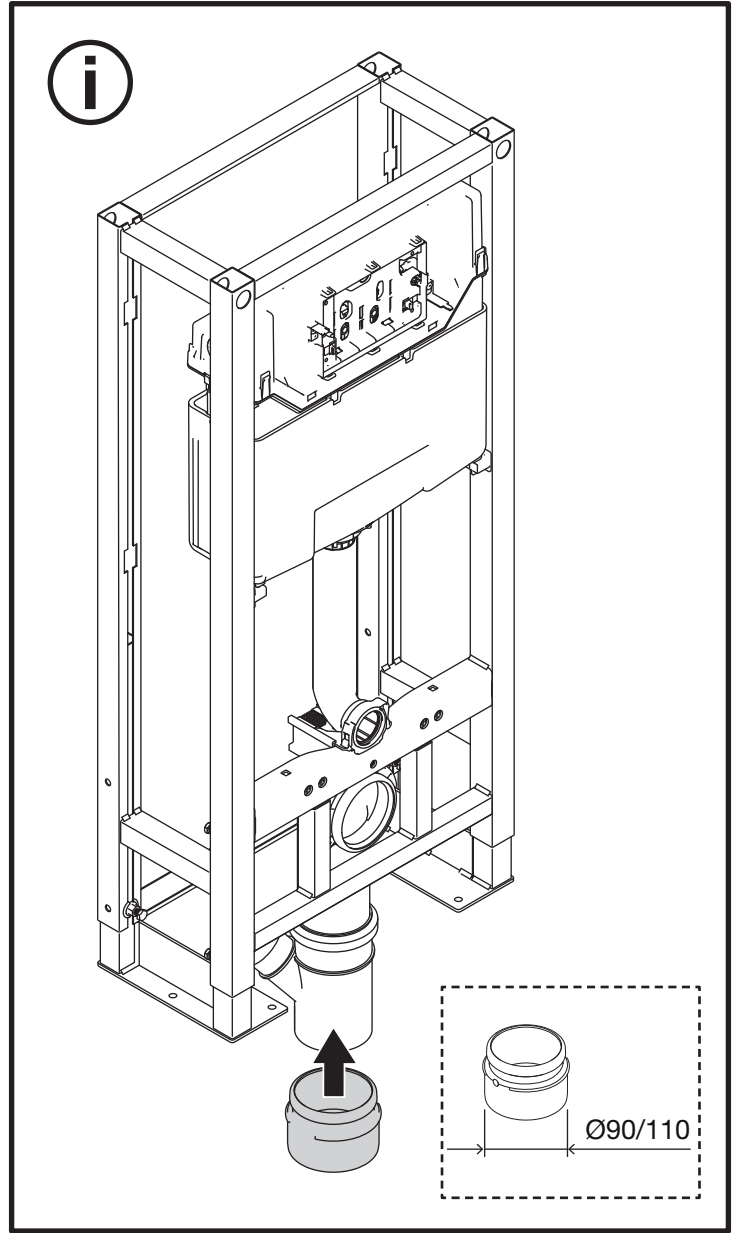
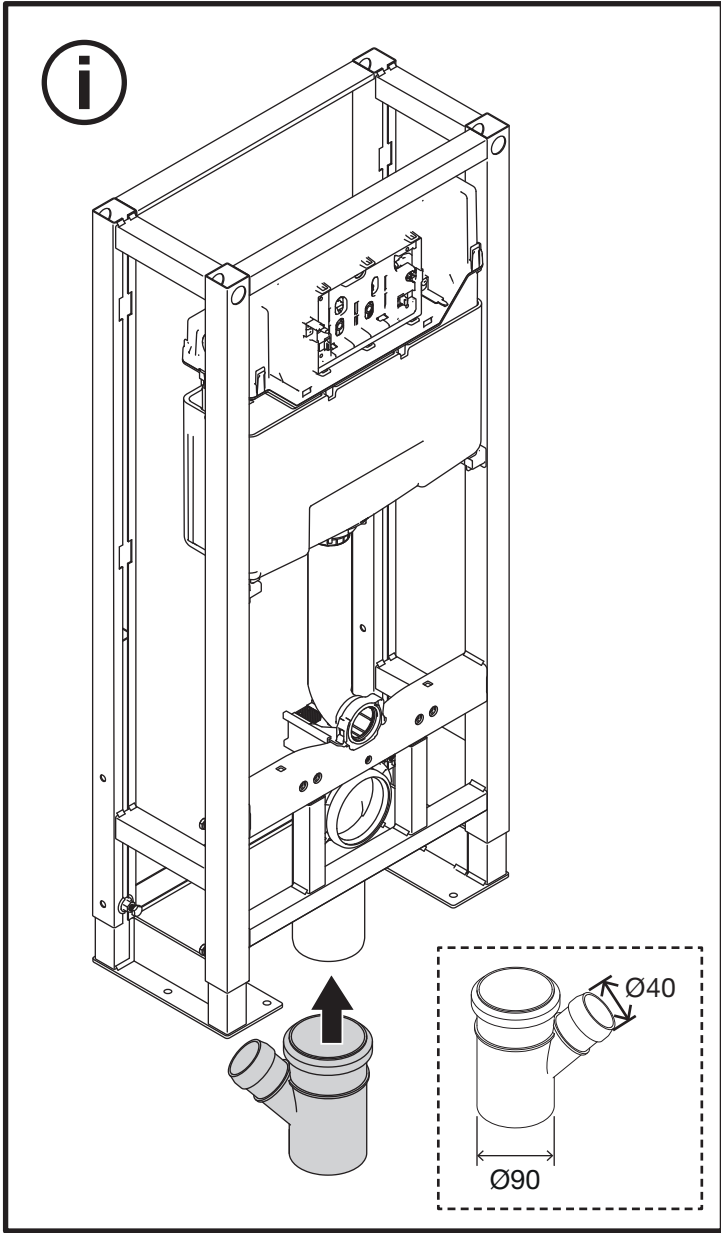
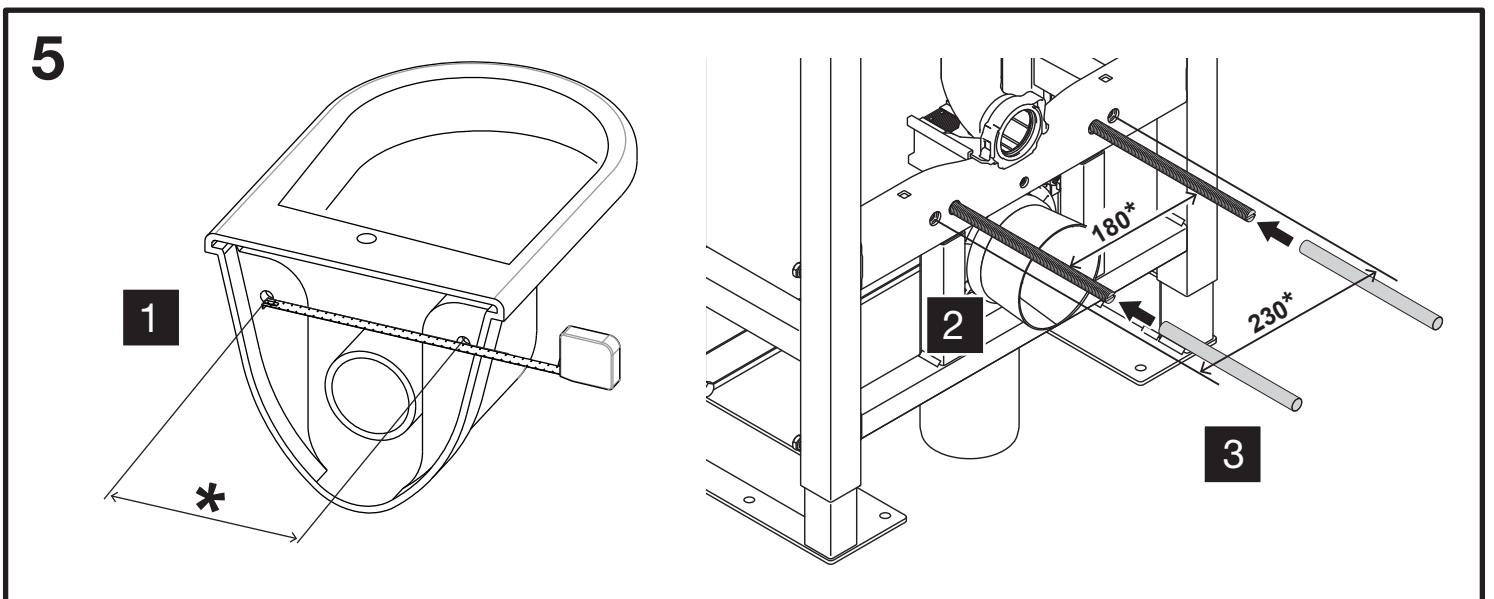
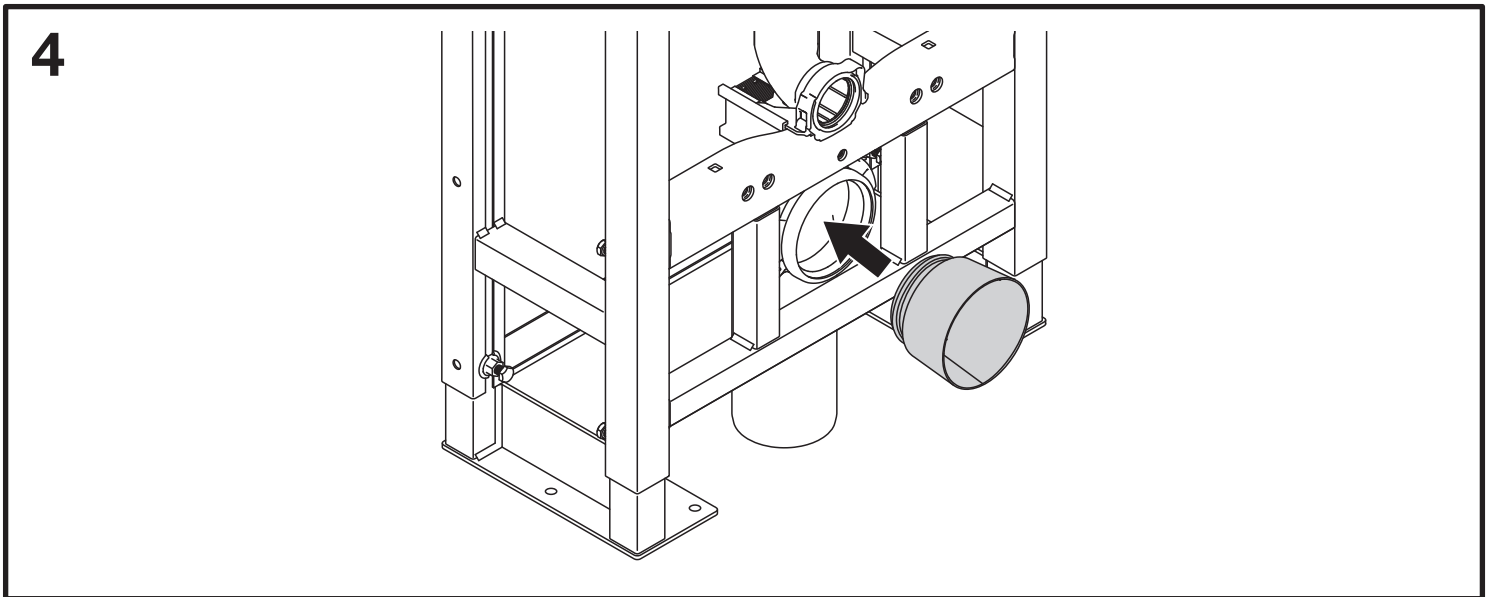
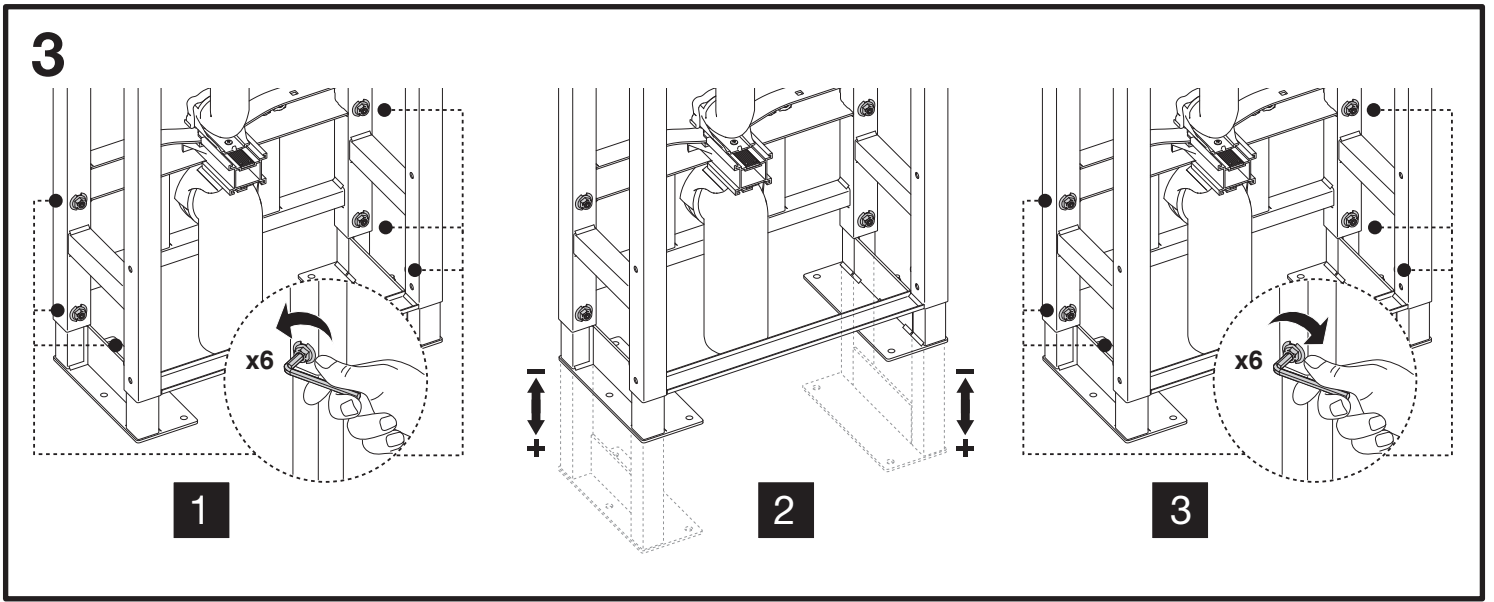


DOUBLE FRAME

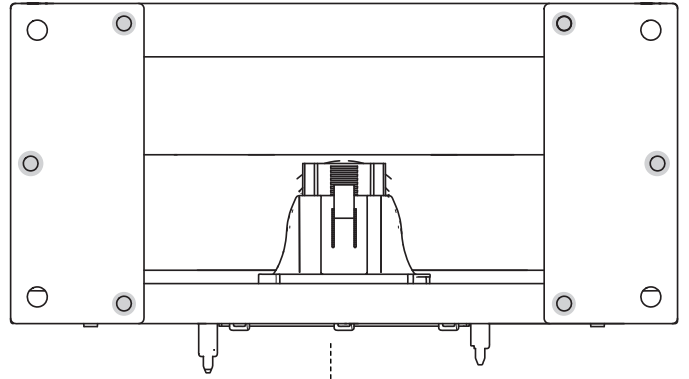
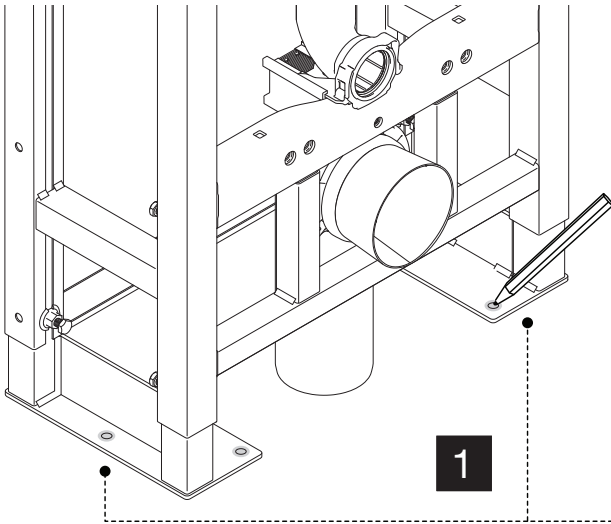
WC | URINAL | WASHBASIN



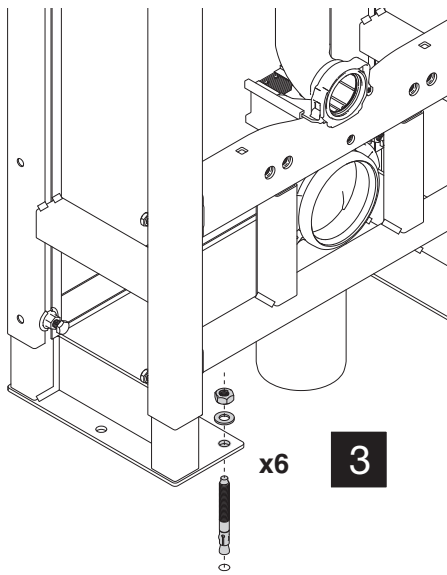
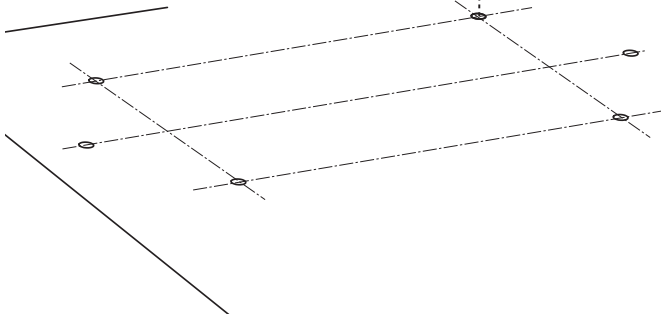
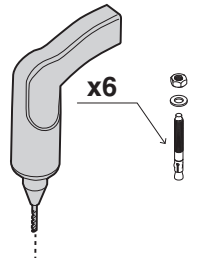




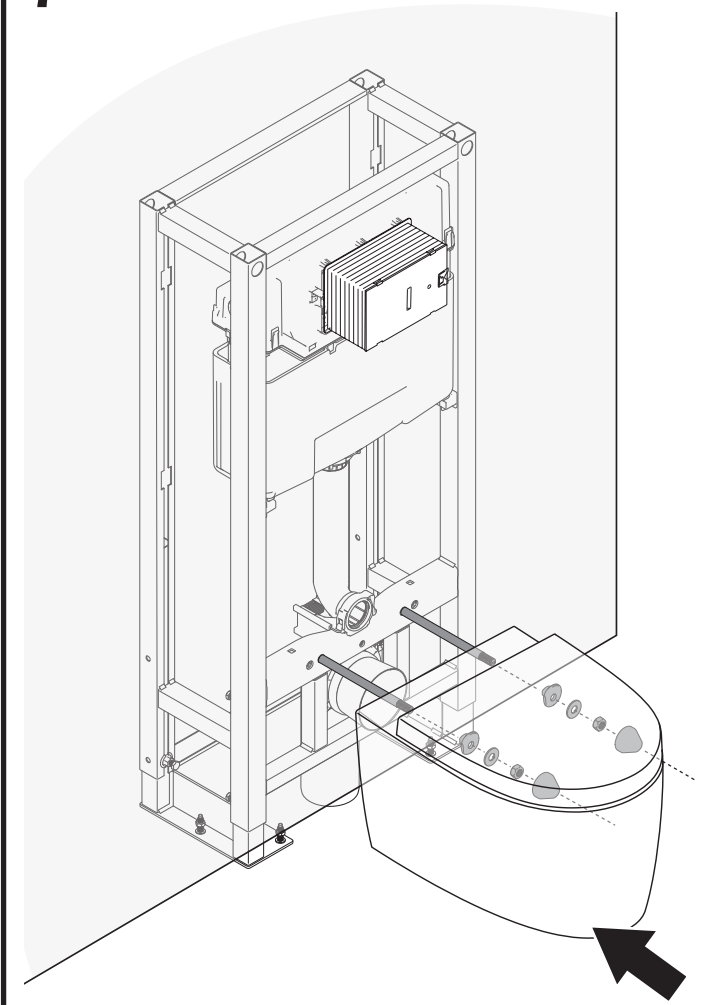
6

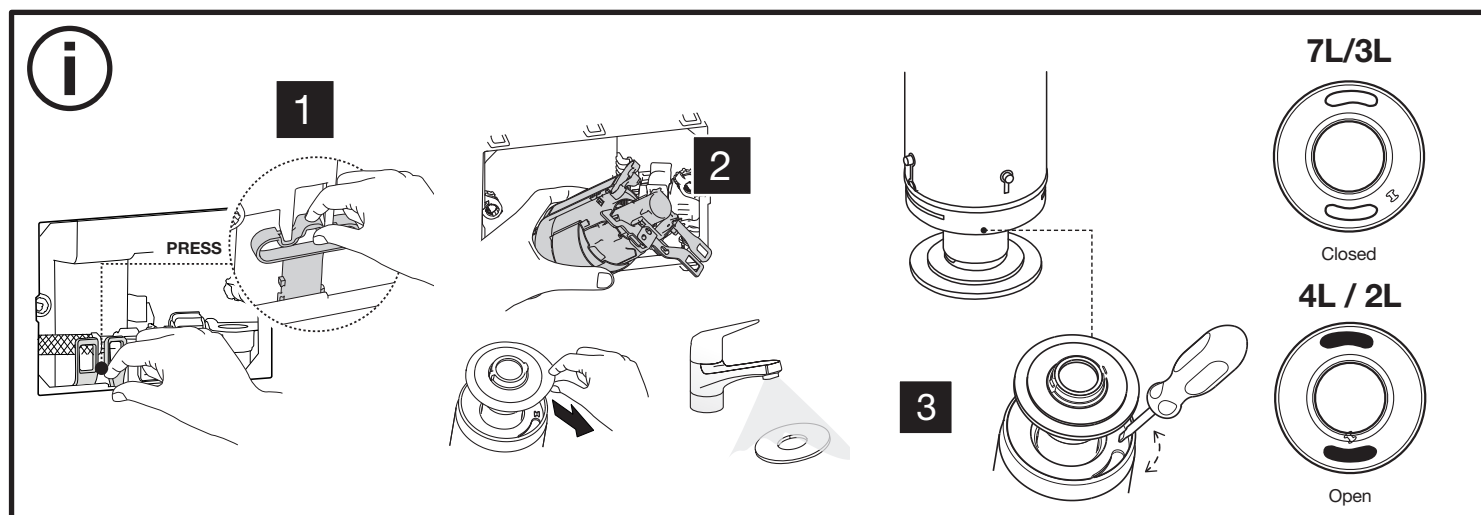
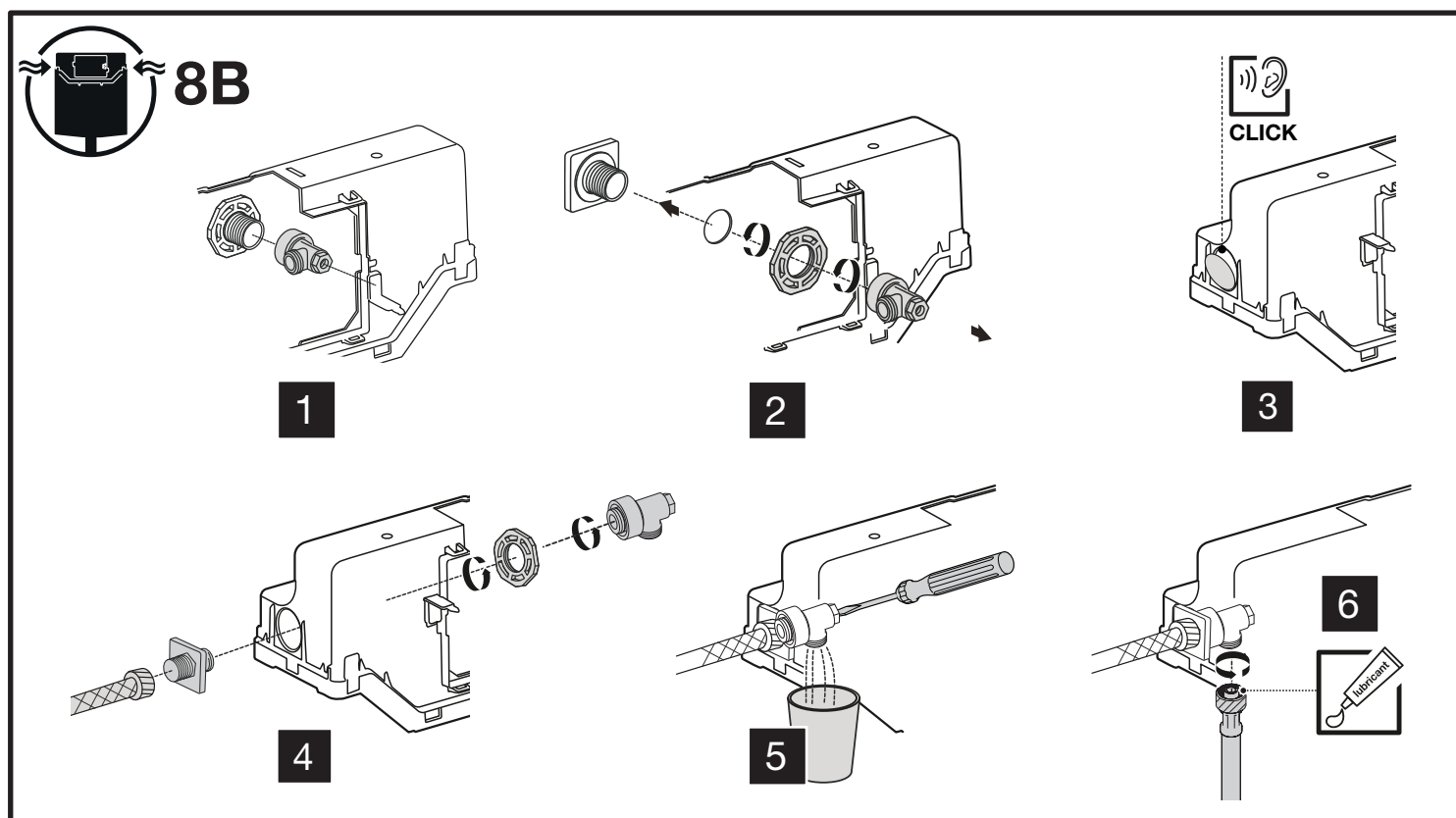
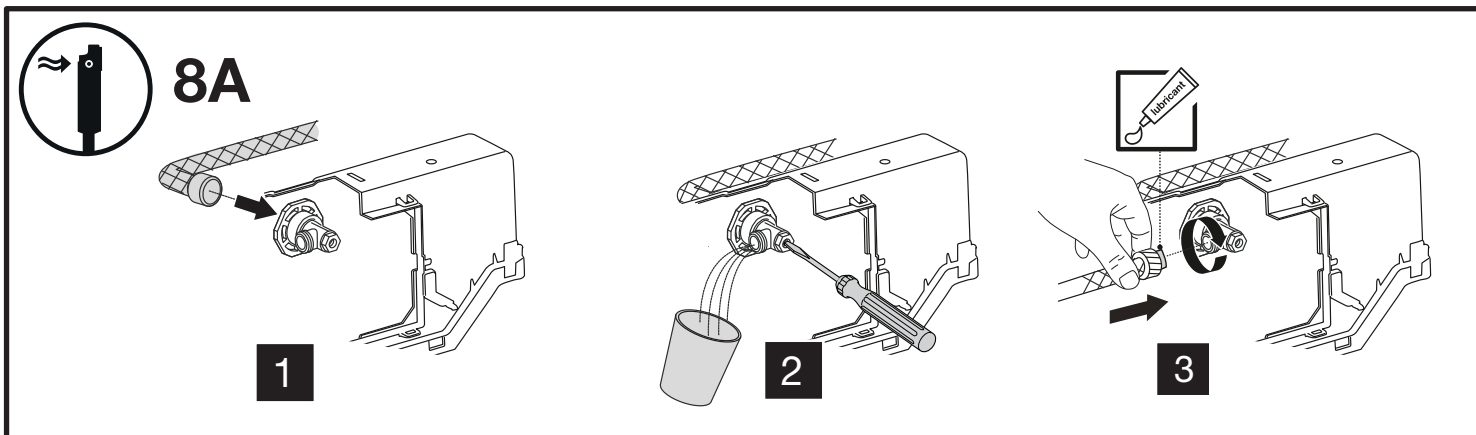


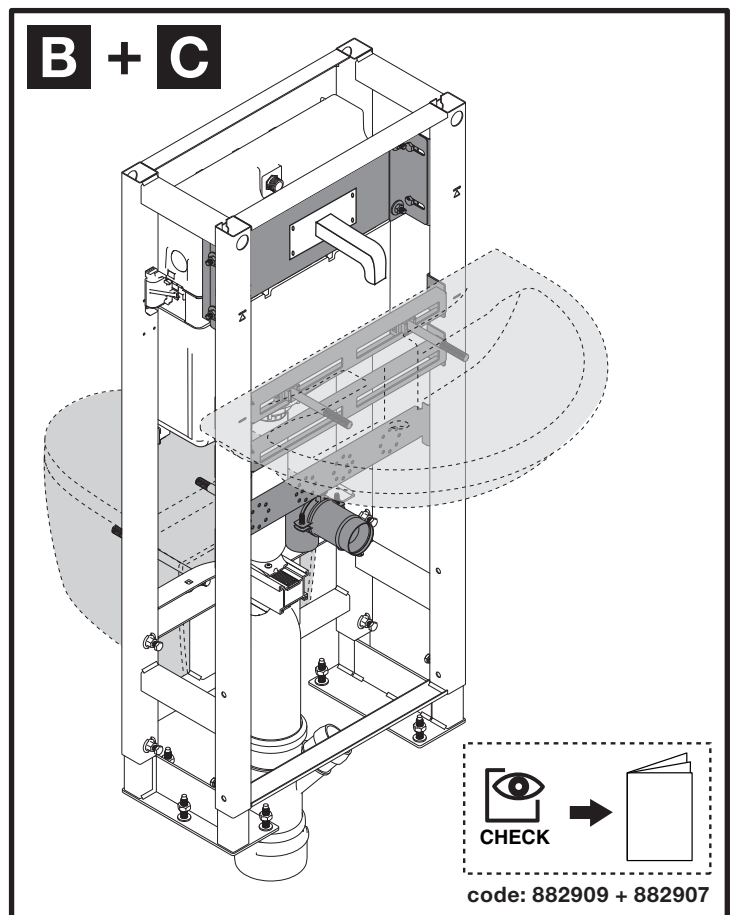
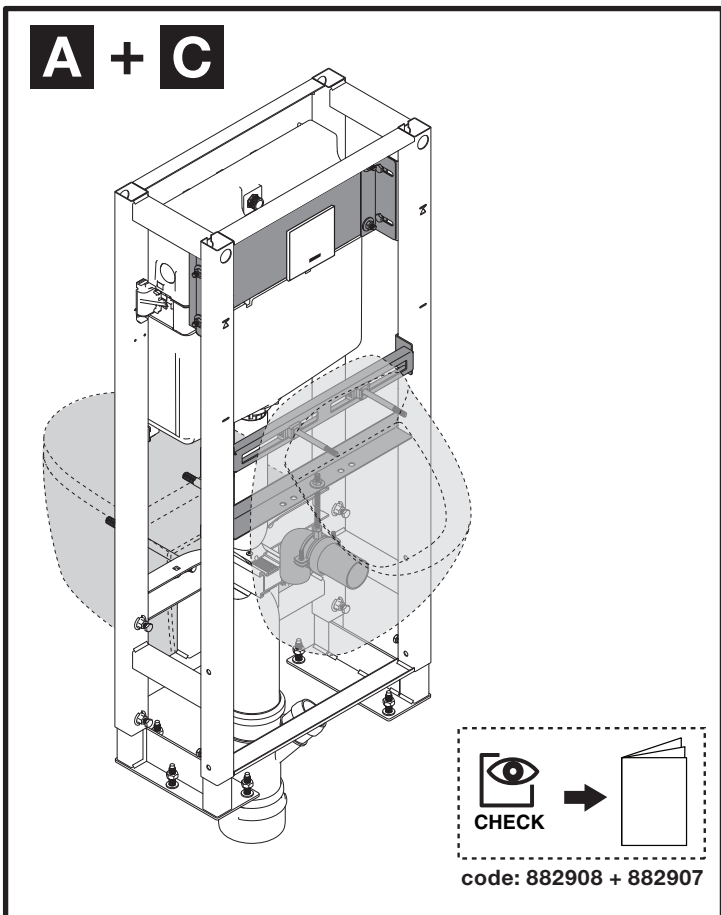
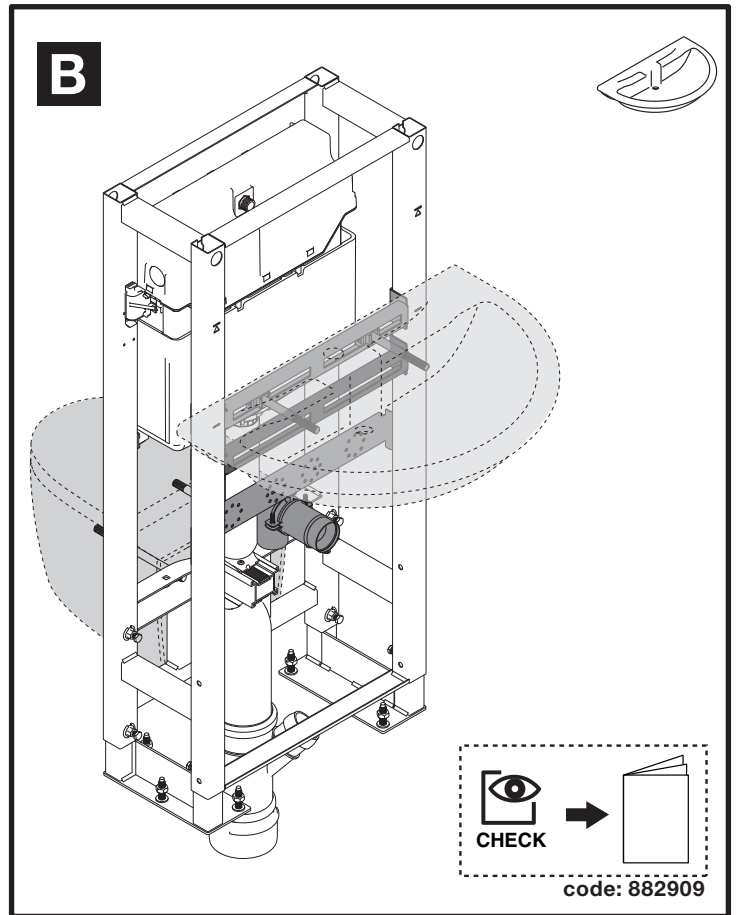
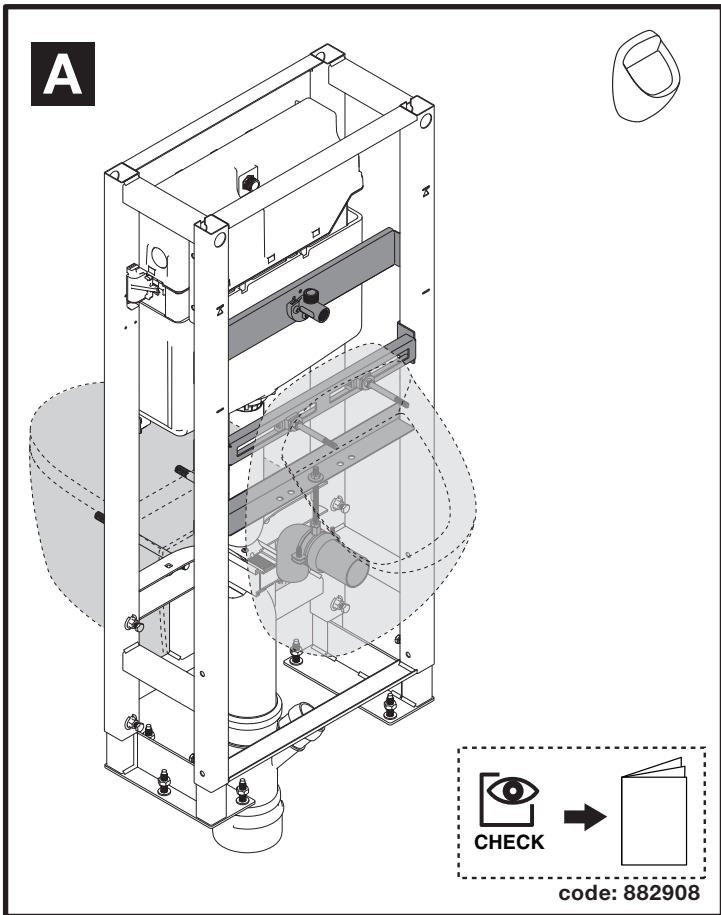
2



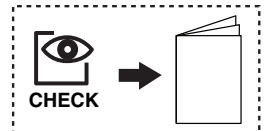
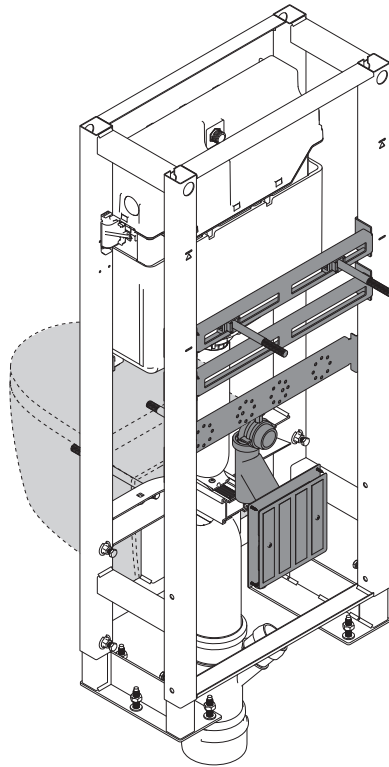
7







B + D



code: 882909 + 883275

i

