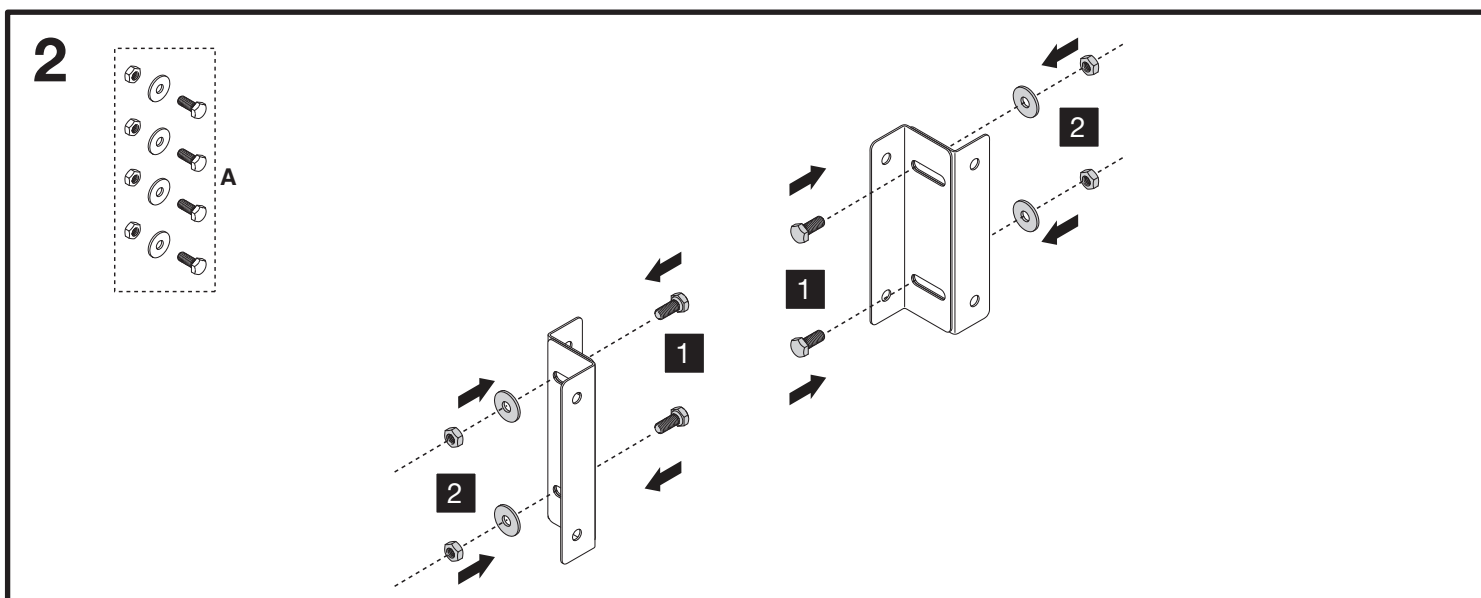
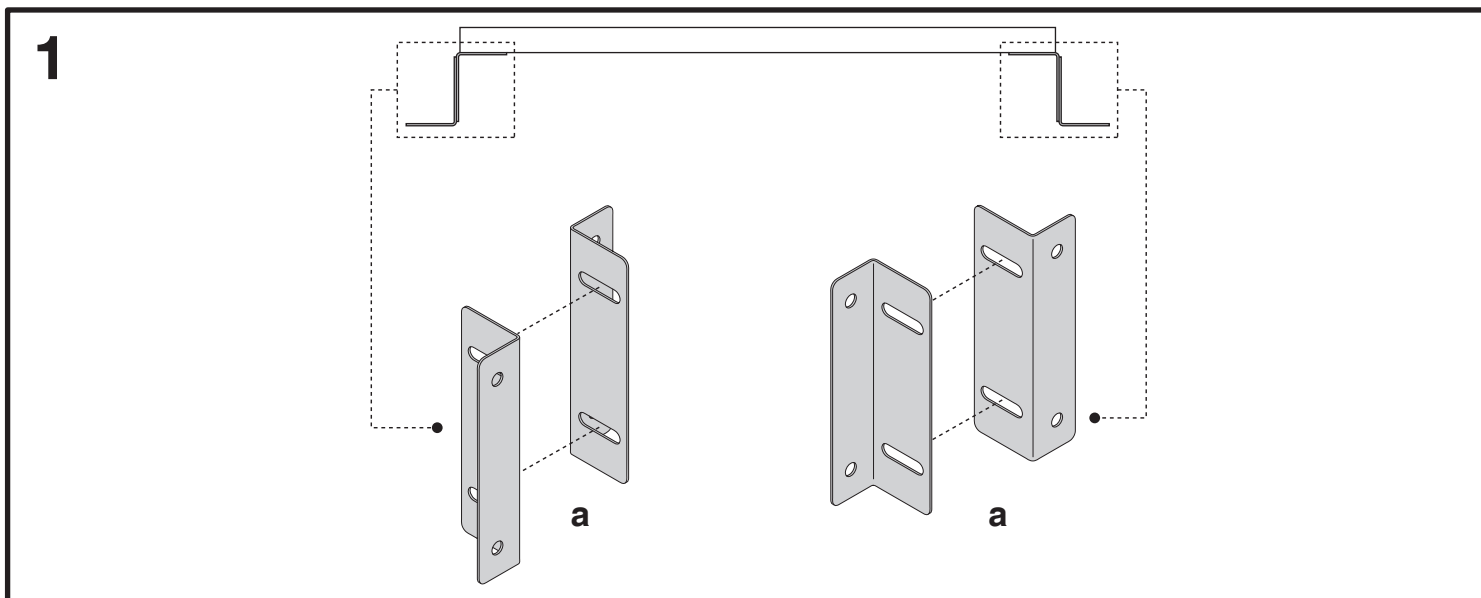
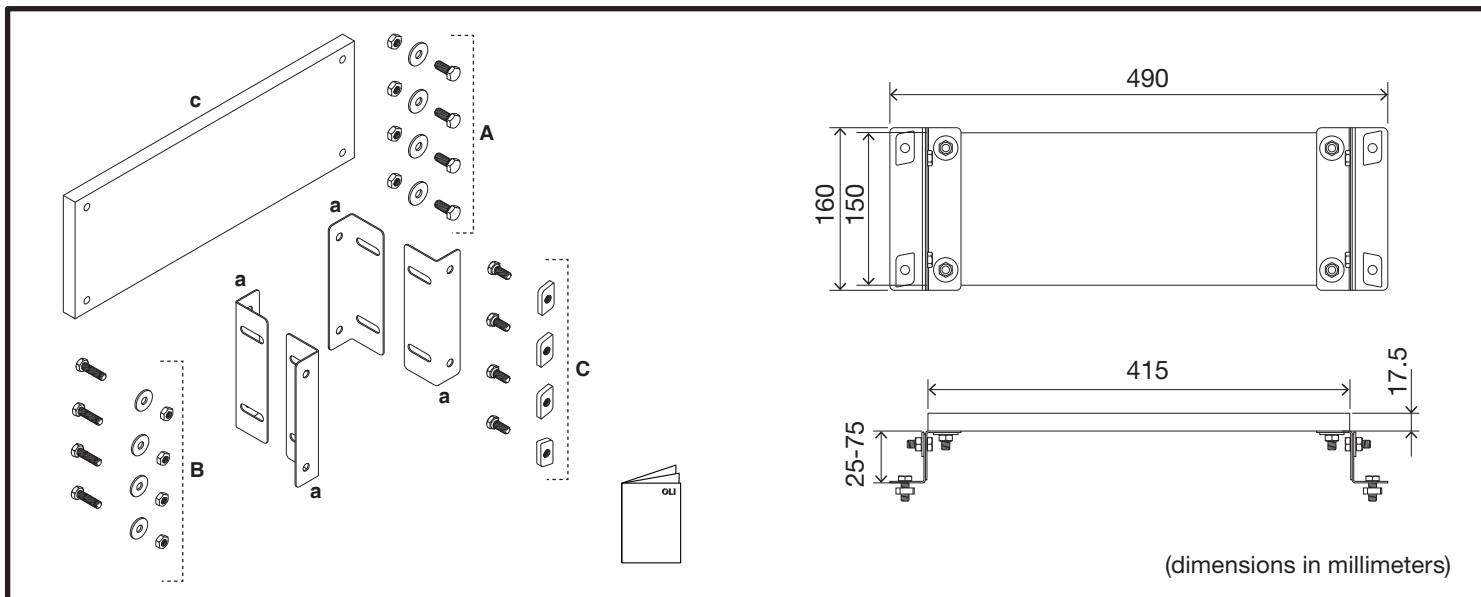
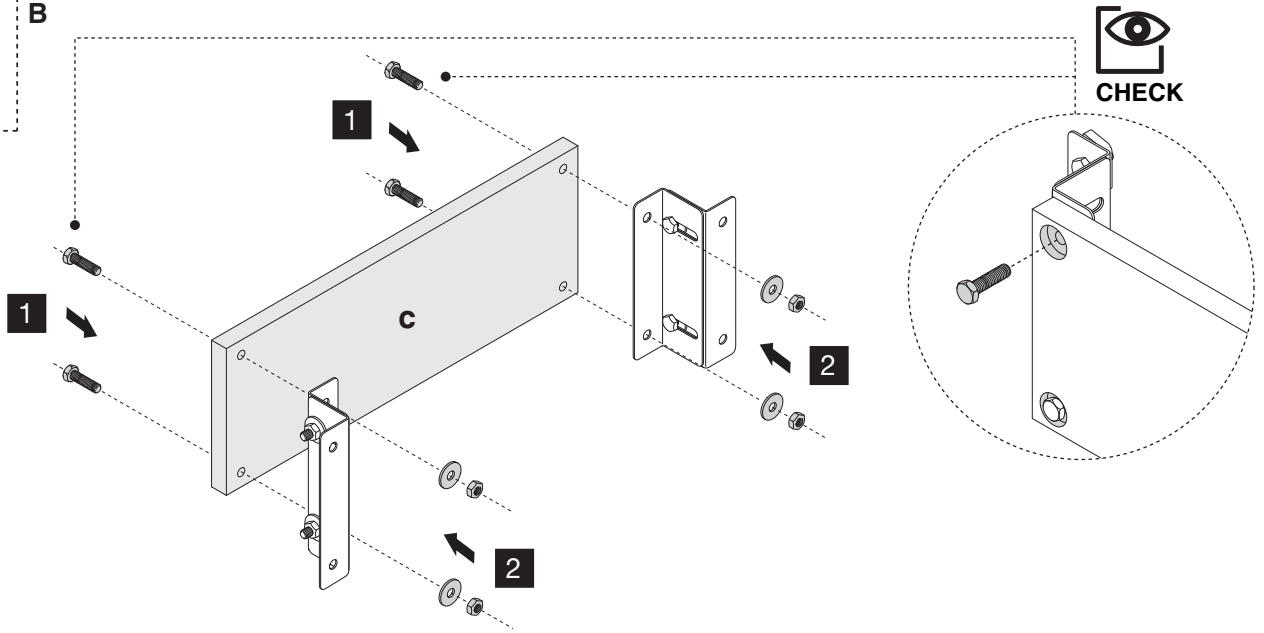
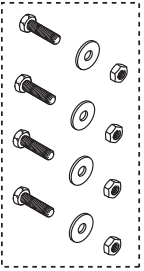


WALL TAP OR CONCEALED

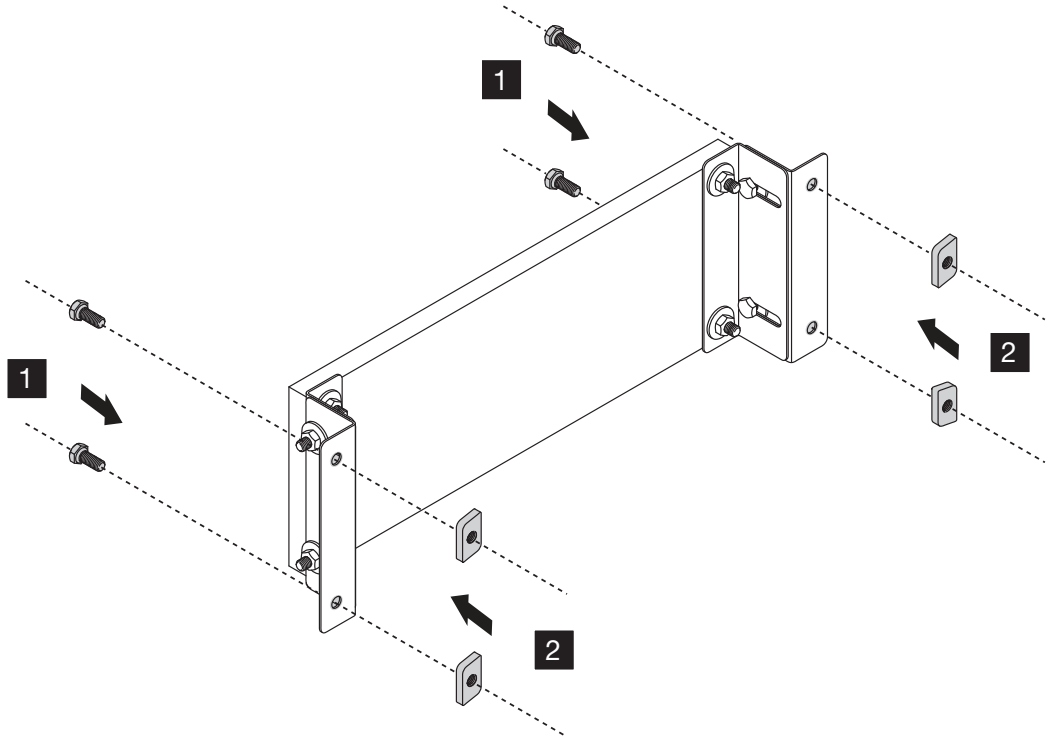
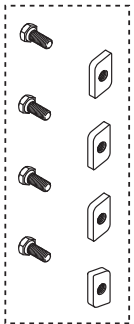
URINAL FLUSH VALVE AND WALL TAP KIT



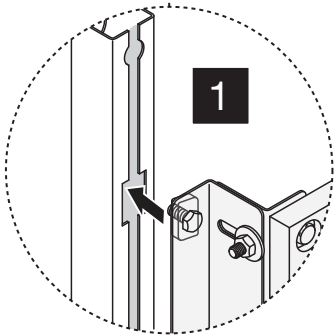
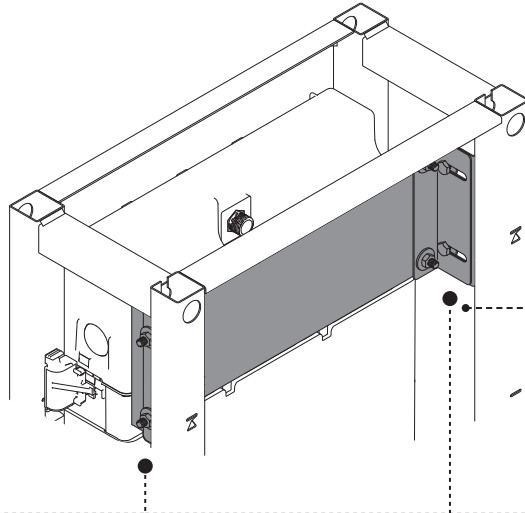
3



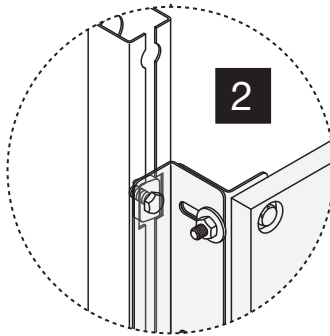
4



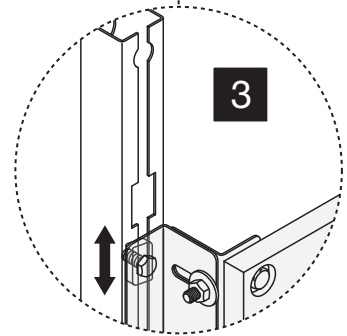
5



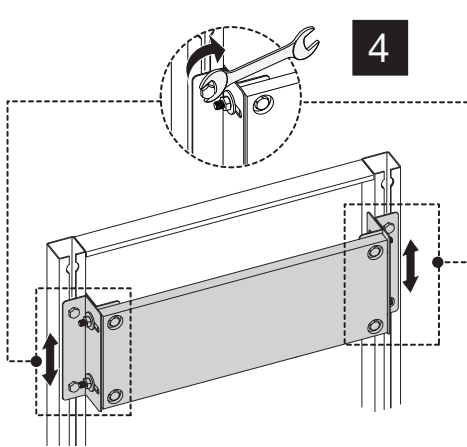
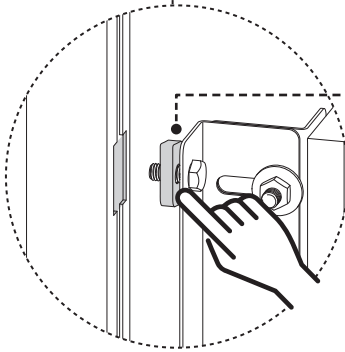
1



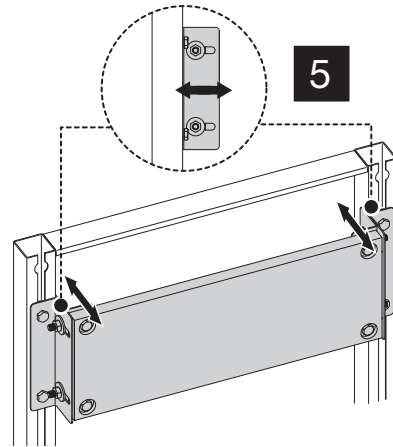
2



3



4



5

