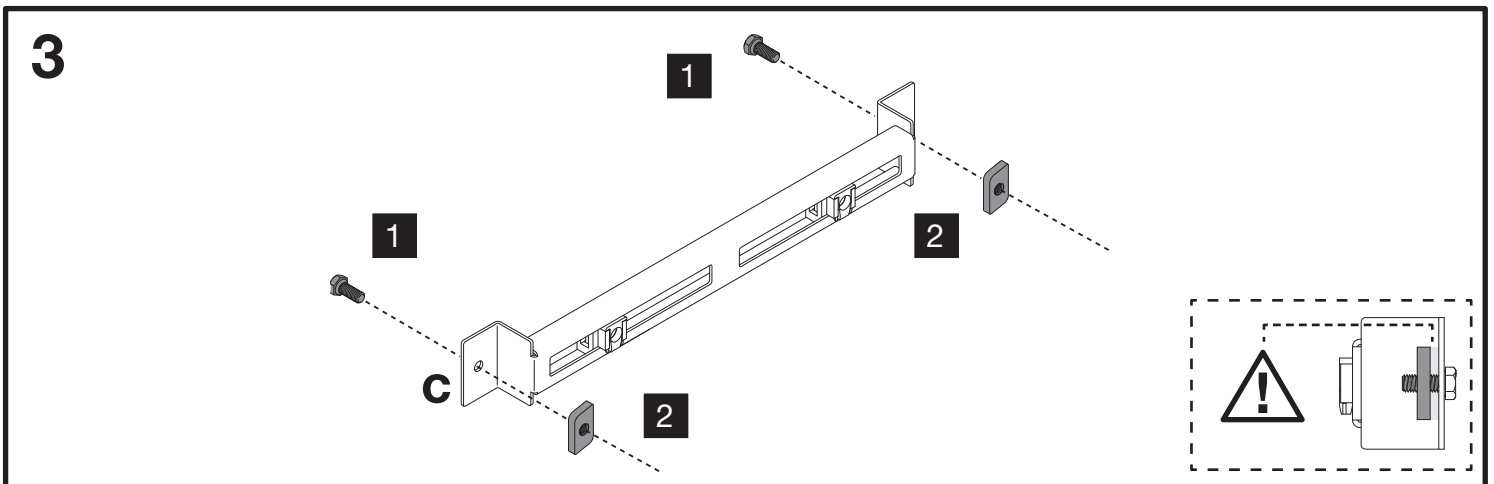
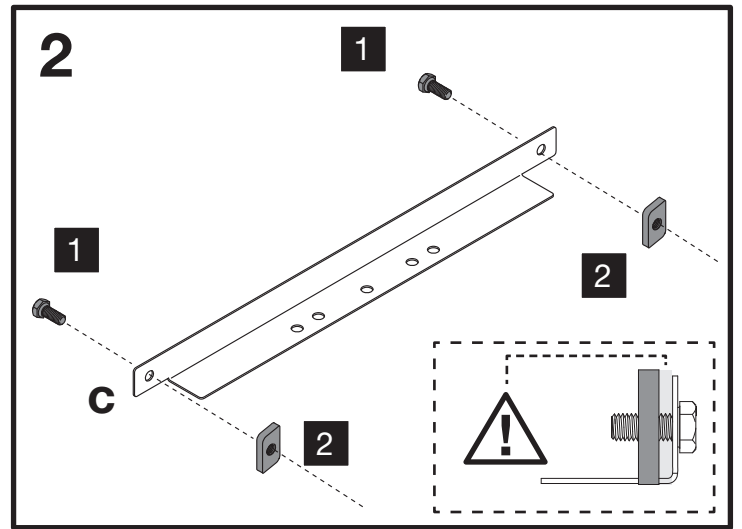
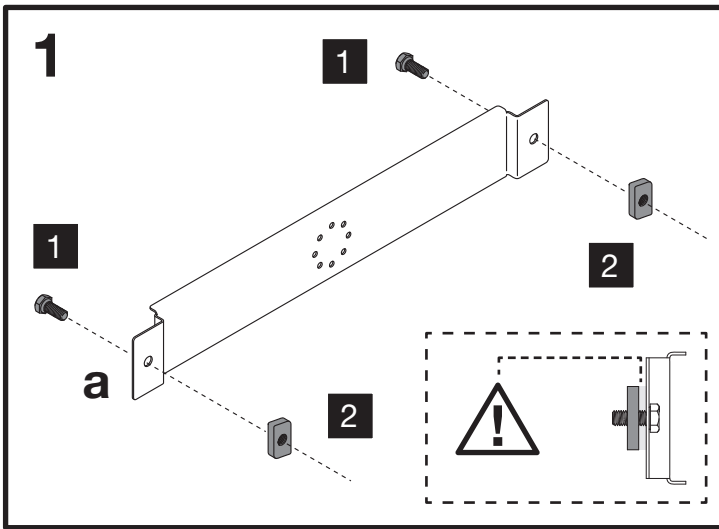
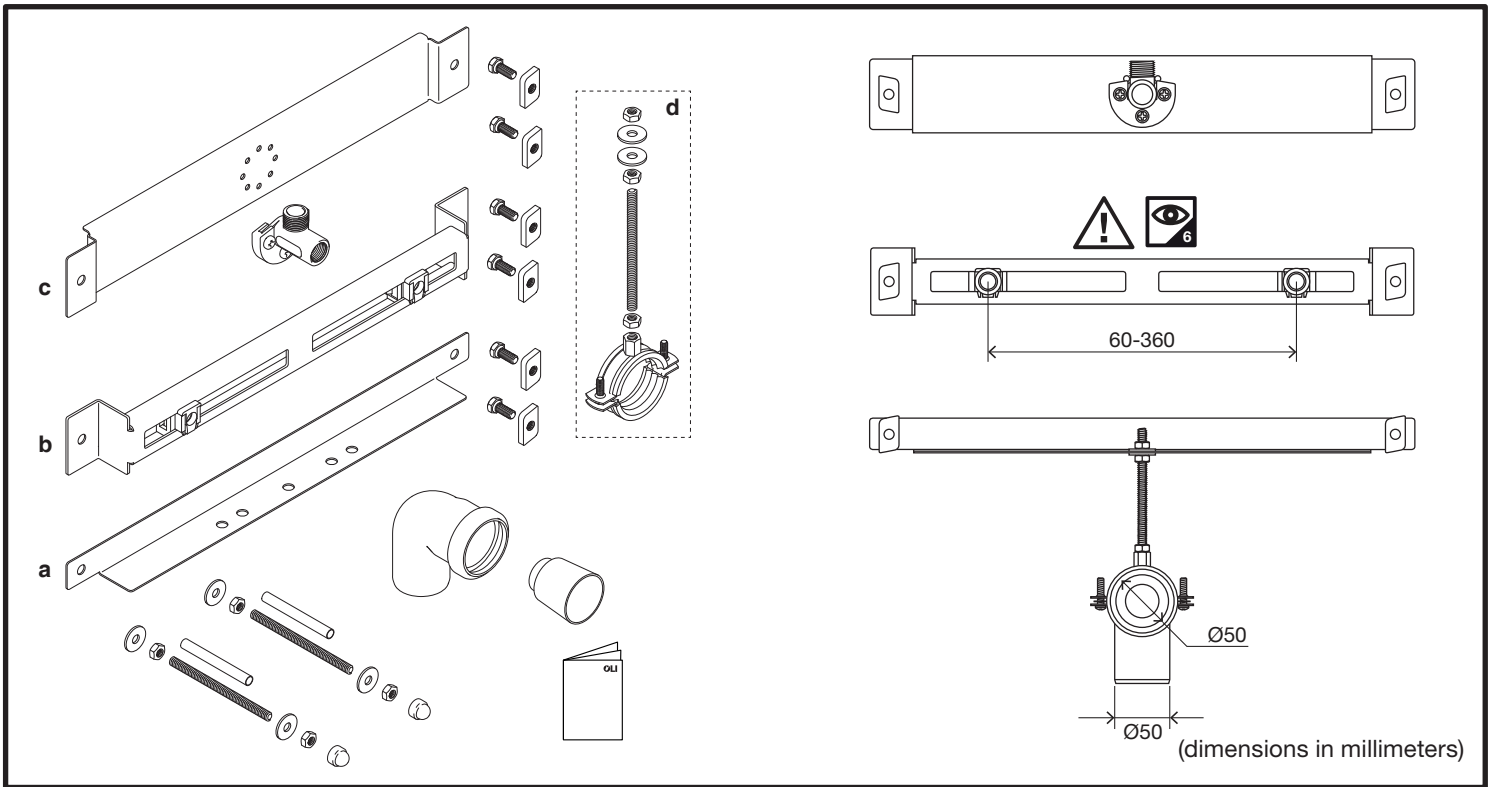
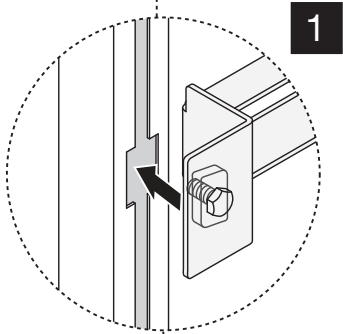
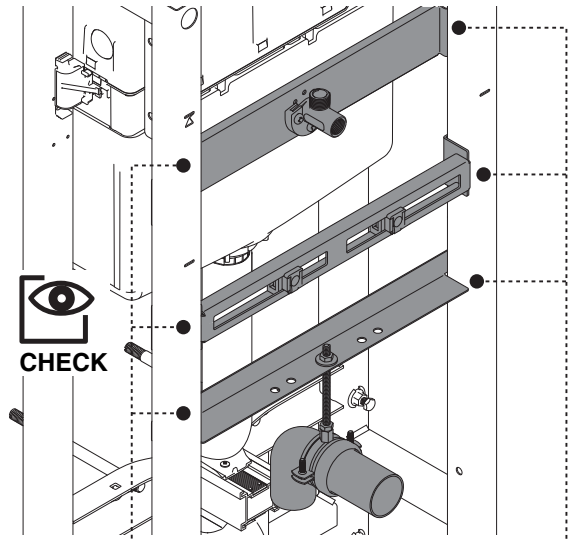


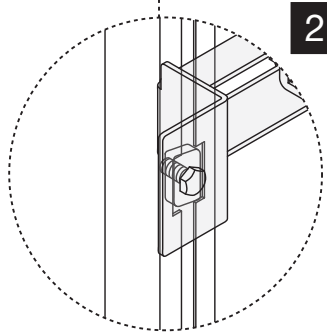
URINAL KIT



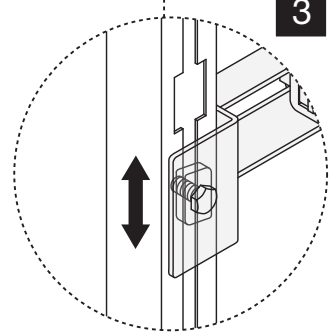
3



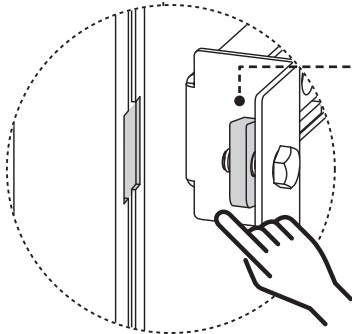
1



2

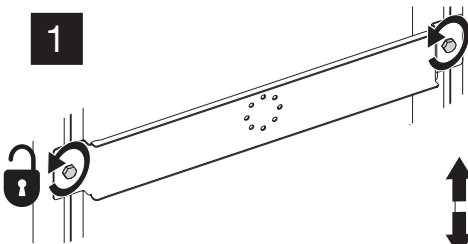


3

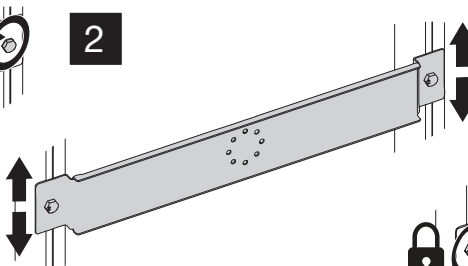


3.1

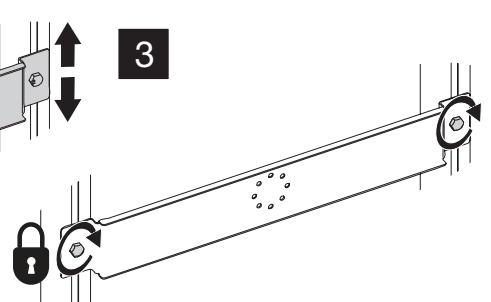
1



2

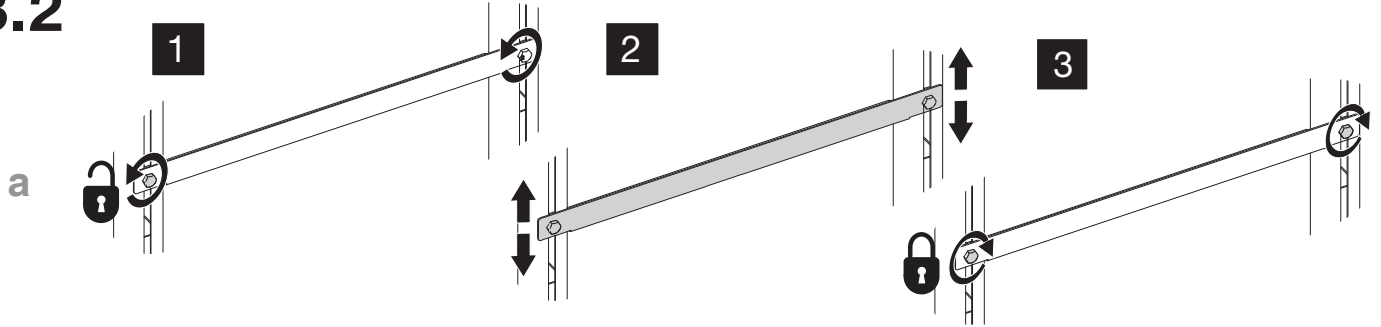


3

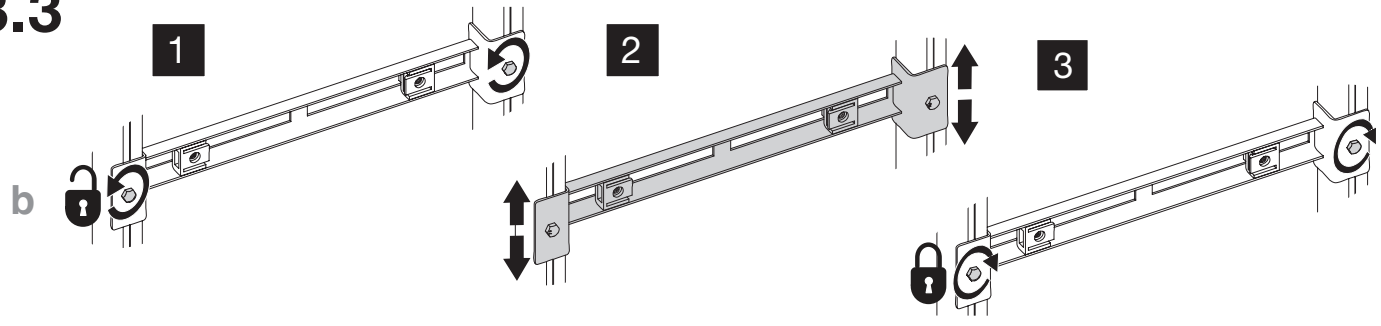


c

3.2



3.3



4

