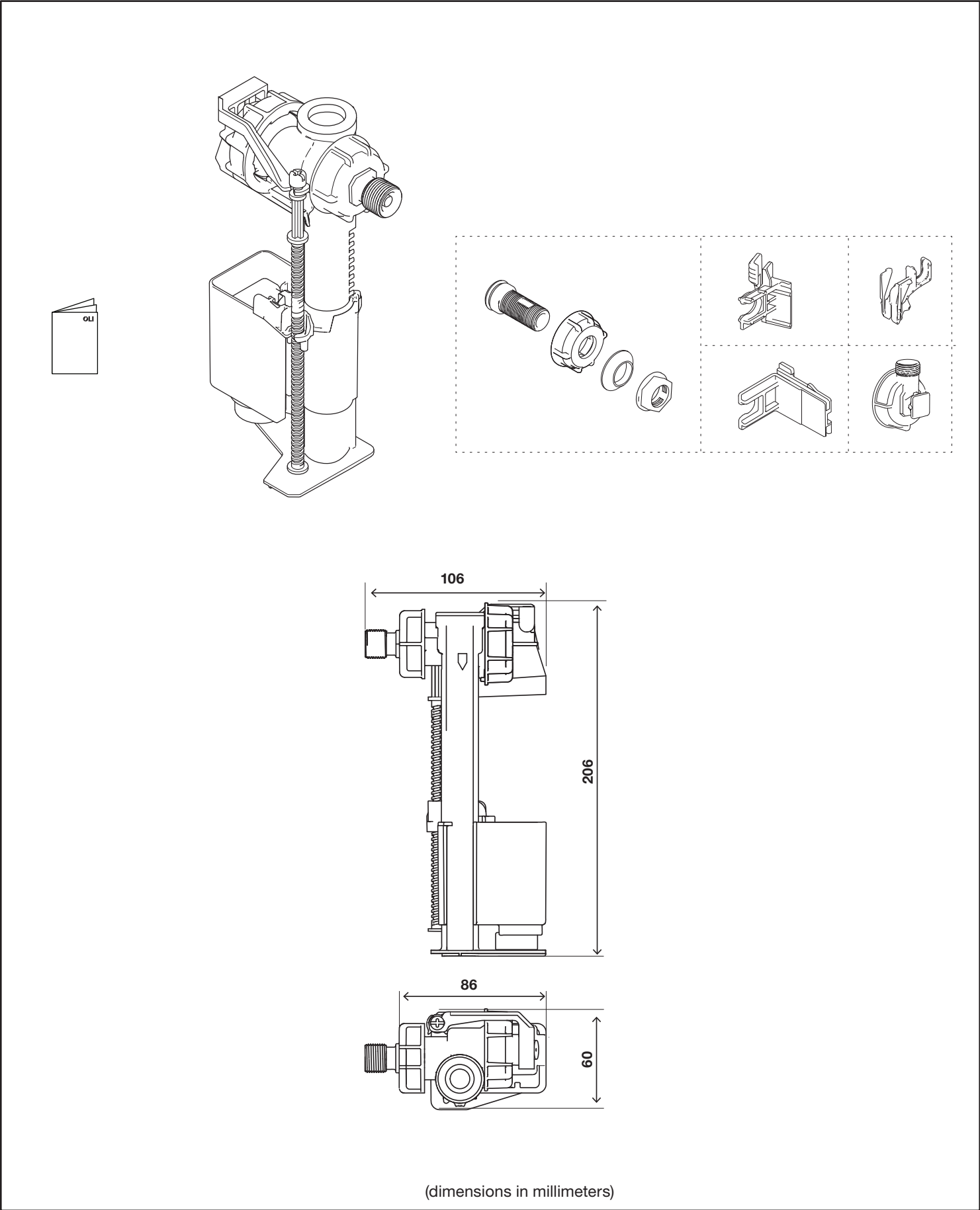


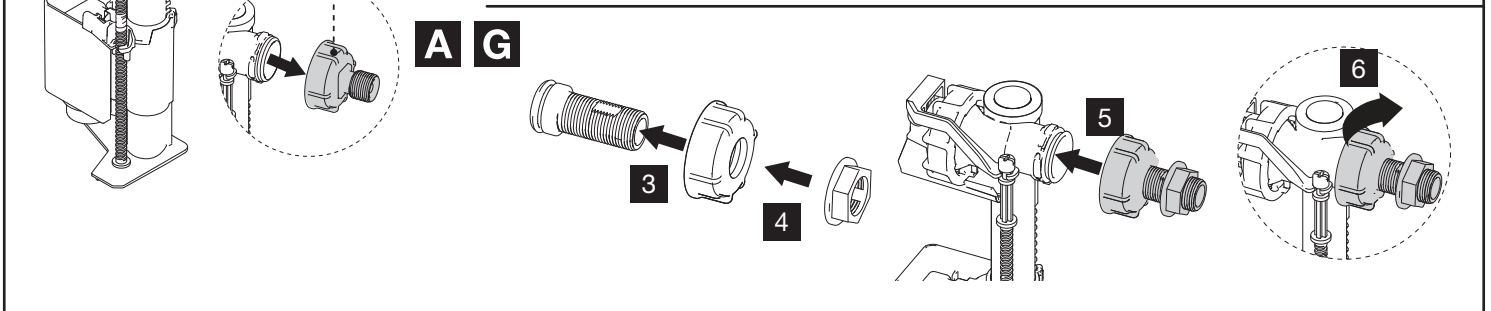
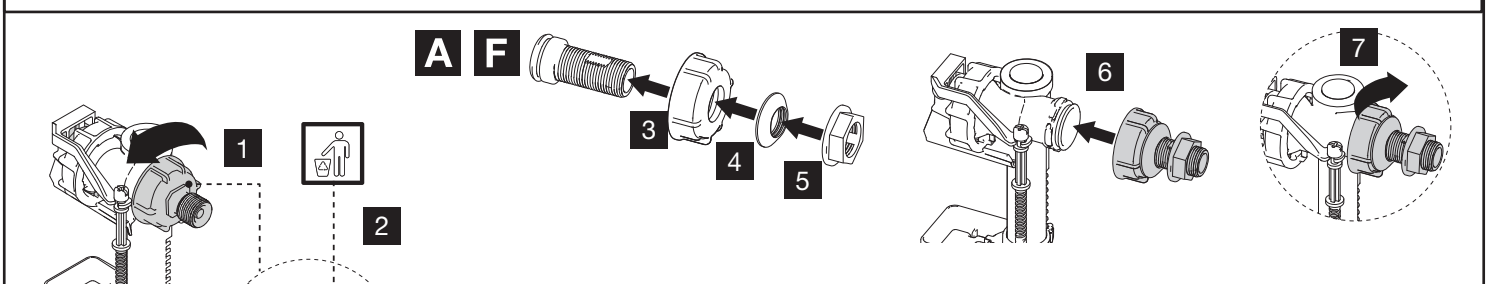
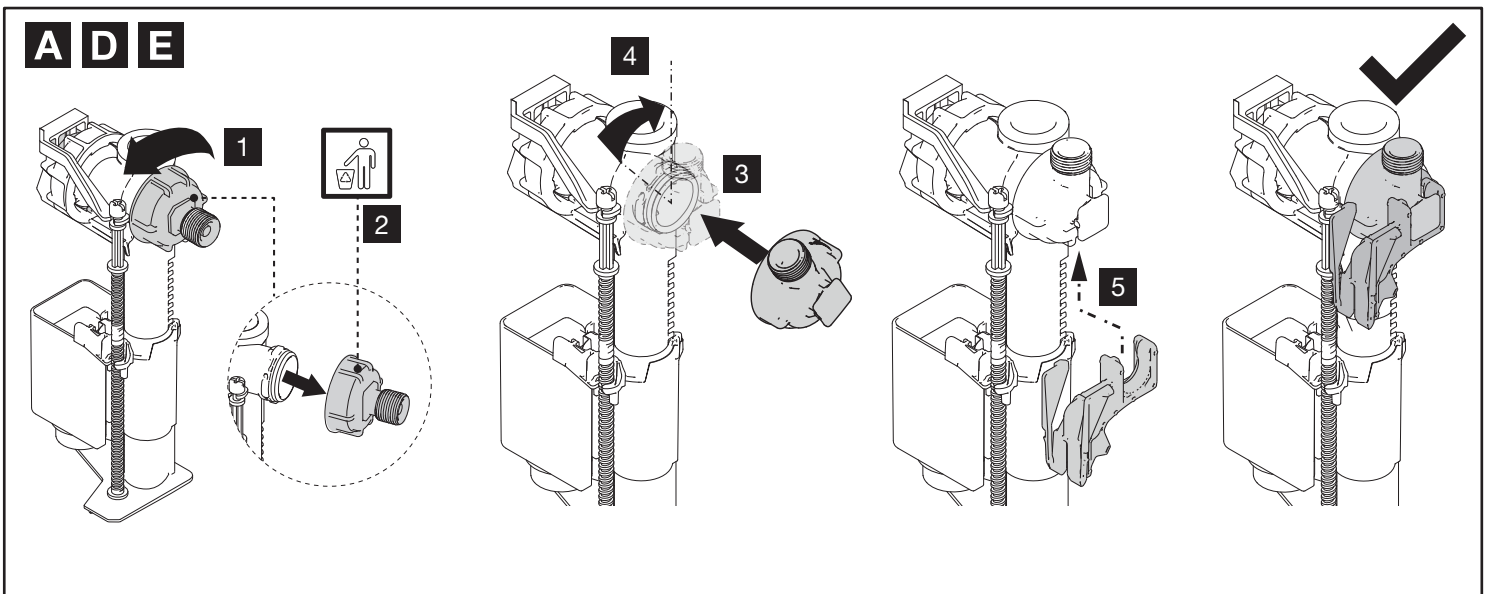
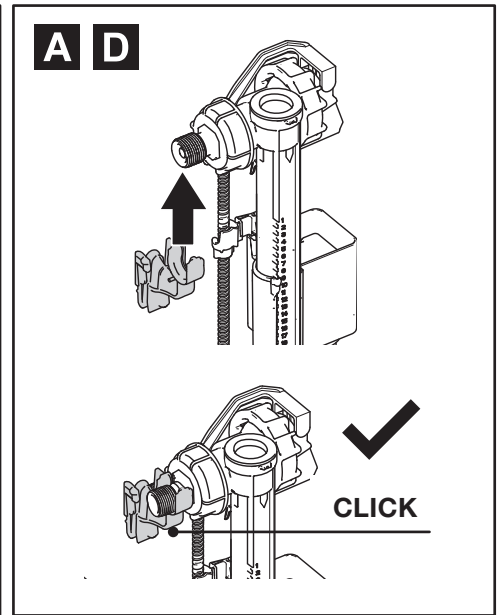
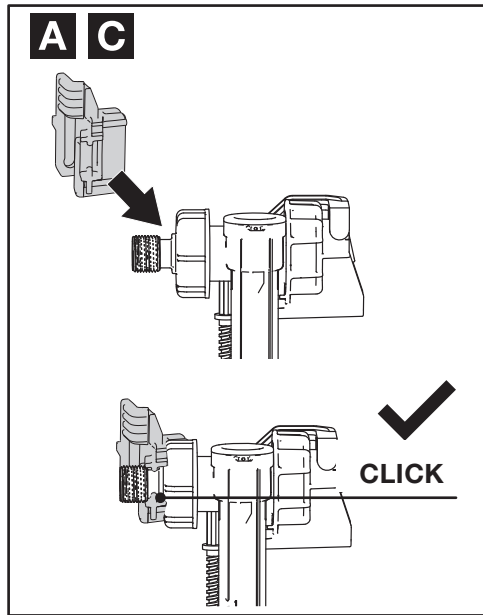
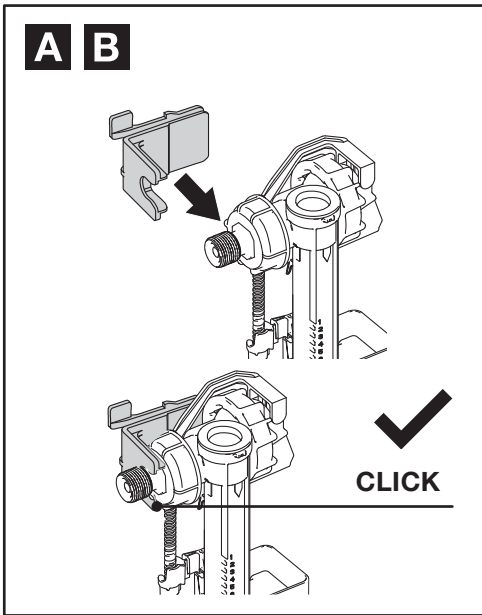


OLI ONE

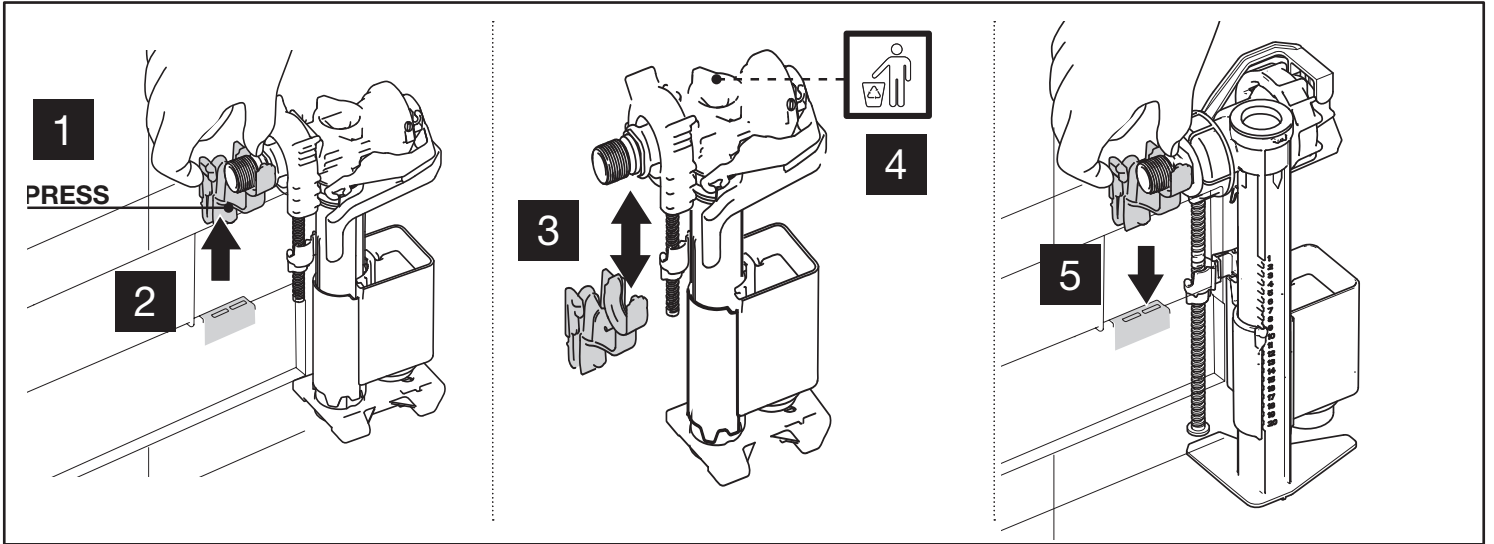
UNIVERSAL INLET VALVE



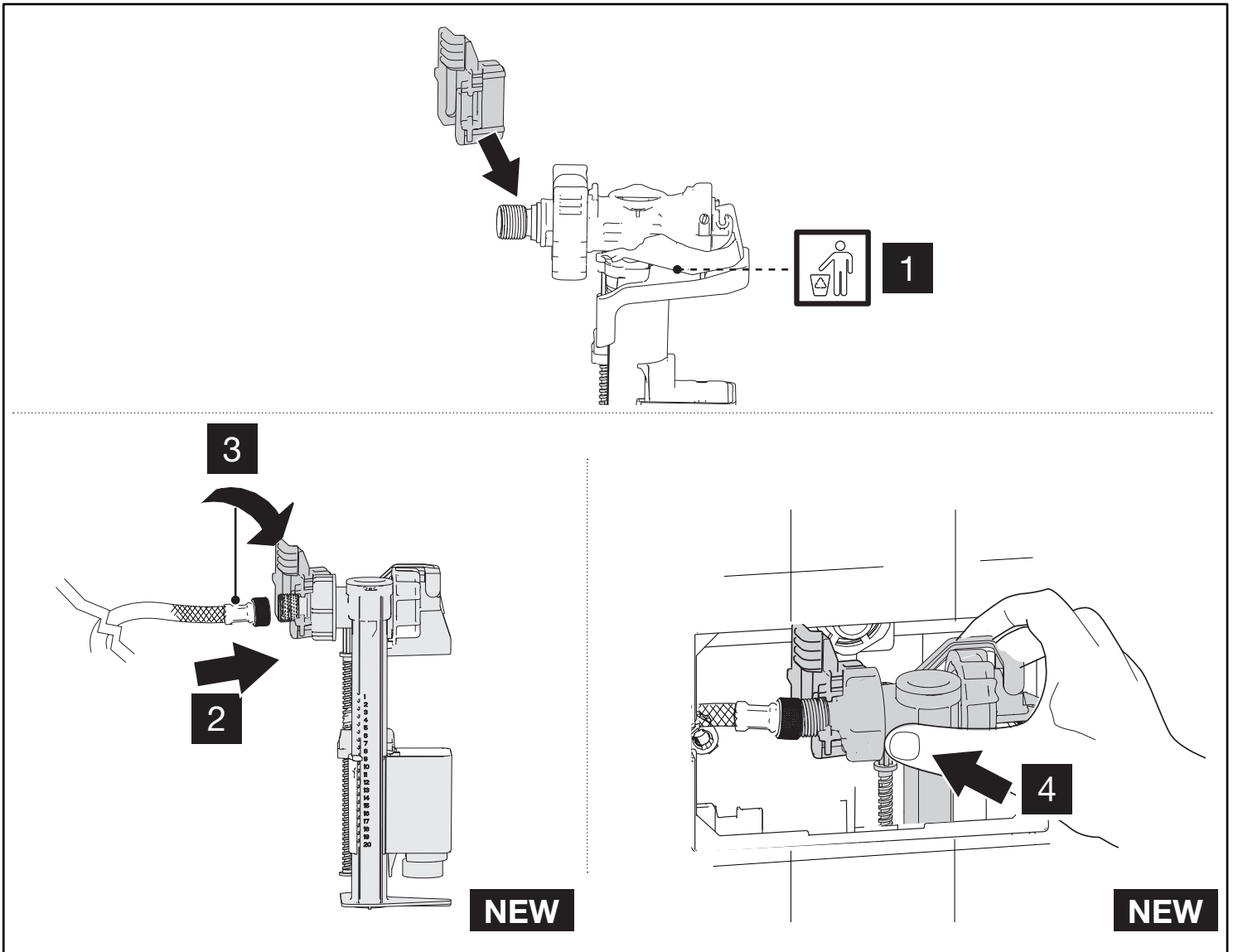
	Page								
MODEL		A	B	C	D	E	F	G	
OLI74	4	x			x				
OLI120	4	x							
OLI80 (<2024)	5	x			x	x			
OLI80 (>2024)	5	x				x			
EXPERT PLUS	6	x							
EXPERT / CORNER	6	x							
GIADA (1998-2010)	7	x							
BETTER	7	x							
QUADRA	7	x							
DIAMANTE (2003-2013)	8	x							
DIAMANTE (2000-2002)	8	x						x	
DIAMANTE (1993-1999)	8	x							
TWILINE UP170 (1989-204)	9	x							x
DUOFIX SIGMA 12	9	x		x					x
DUOFIX SIGMA 8 ALPHA 8 UNICA UP720	10	x	x						
OMEGA	10	x	x						x
MONOLITH MONOLITH PLUS	11	x							
DELTA12	11	x							x
CASSETTA SCIAQUO ITALIANA 80MM	12	x						x	
RAPID SL RAPID SLX	12	x						x	
BOX BASIC	13	x						x	
TECE 1120	13	x						x	
ITS TODINI® HIDROBOX	13	x					x		
VIEGA® ECO PLUS	14	x							
MEDUSA (2009-2010)	14	x							
MEDUSA (1994-2008)	14	x					x		
TROPEA-TROPEA 2 (2004-2012)	15	x							
CUBIK	15	x							
EGEA WINNER	15	x							
RIOS RIOS2 EVOLUT ANGEL	16	x							
BAMPI® BSILENT	16	x						x	
ONE WC	17	x						x	
BASIC ONE WC COMPACT	17	x							
MEPA® VARIVIT	18	x						x	
KARIBA® PRATIKA	18	x						x	
NICOLL® WBS2P	18	x					x		
DURAVIT® DURASYSTEM 115CM	19	x						x	
SIAMP® INGENIO	19	x					x		
CASSETTA ESTERNA EXPOSED CISTERN	19	x					x		
CASSETTA IN CERAMICA CERAMIC TANK	19	x					x		



OLI: OLI74

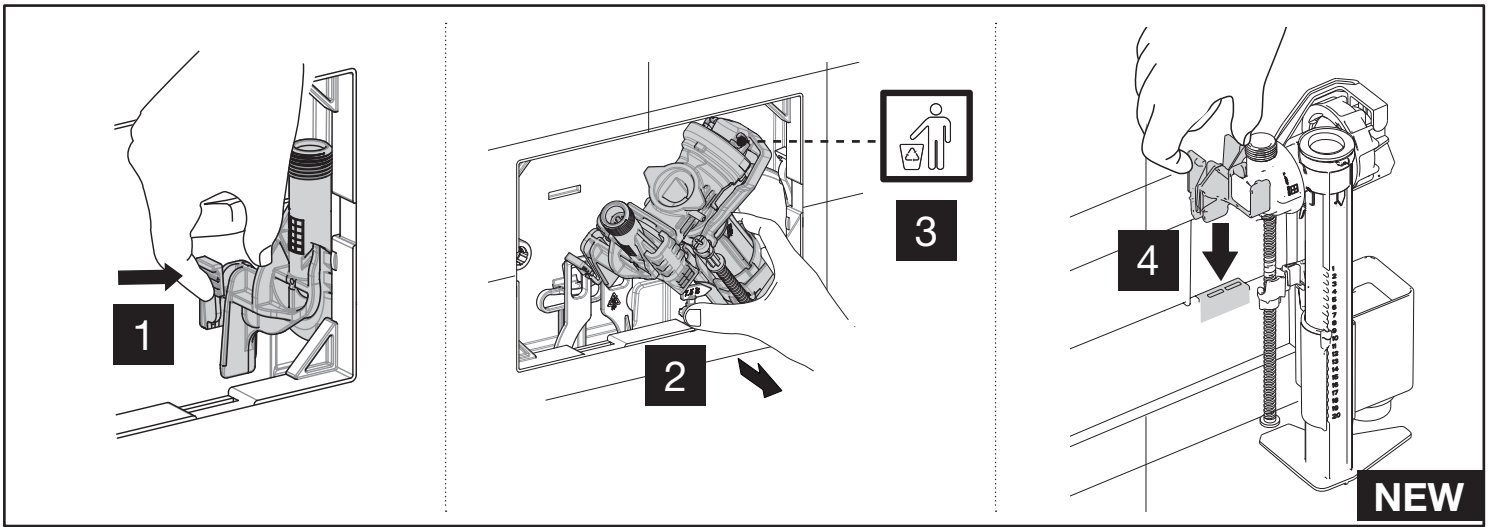


OLI: OLI120

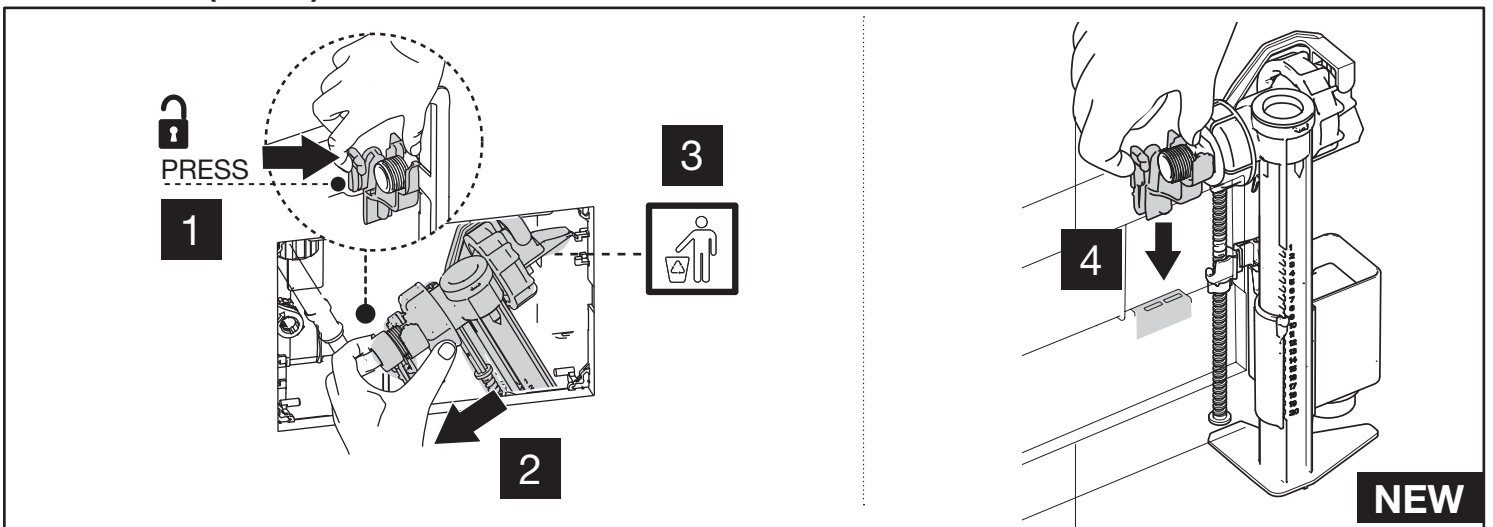


OLI74		OLI120
A	D	A

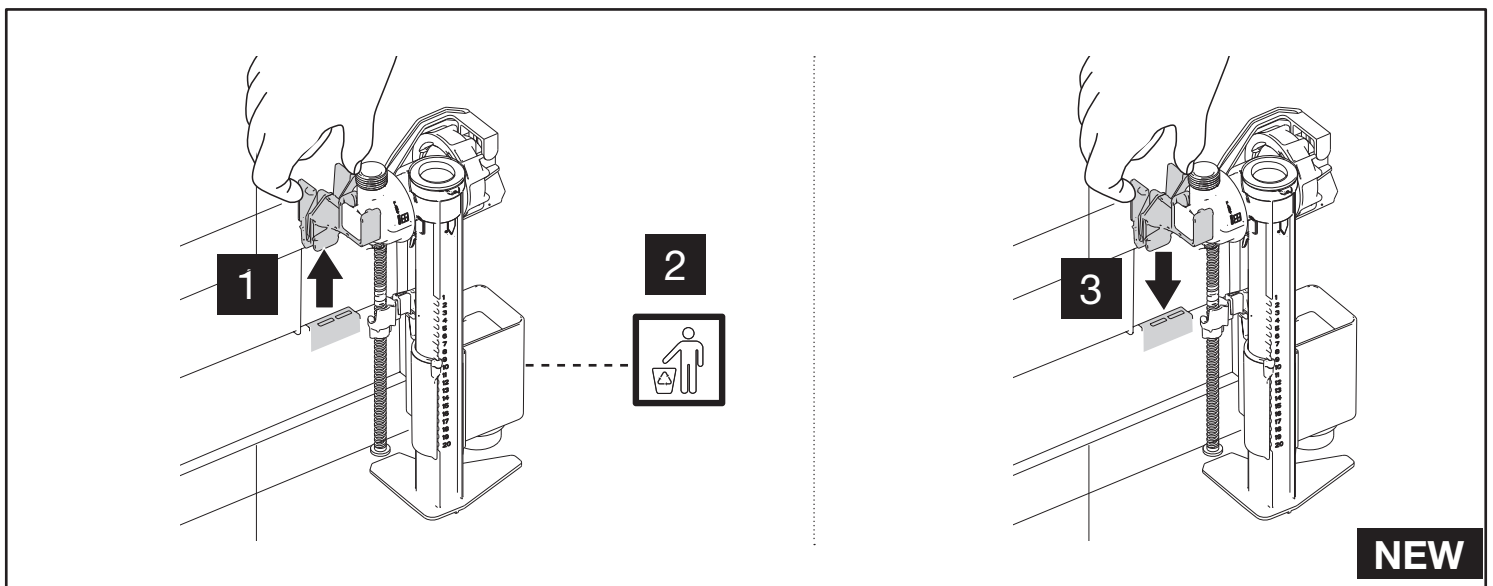
OLI: OLI80 (<2024)



OLI: OLI80 (<2024)

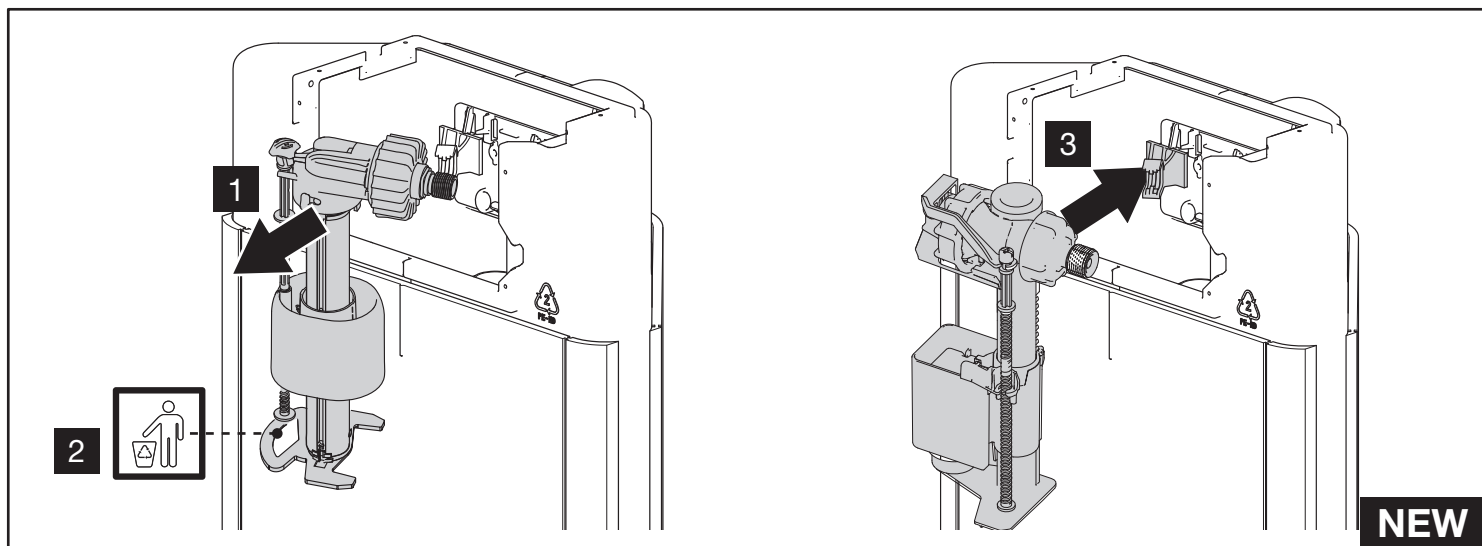


OLI: OLI80 (>2024)

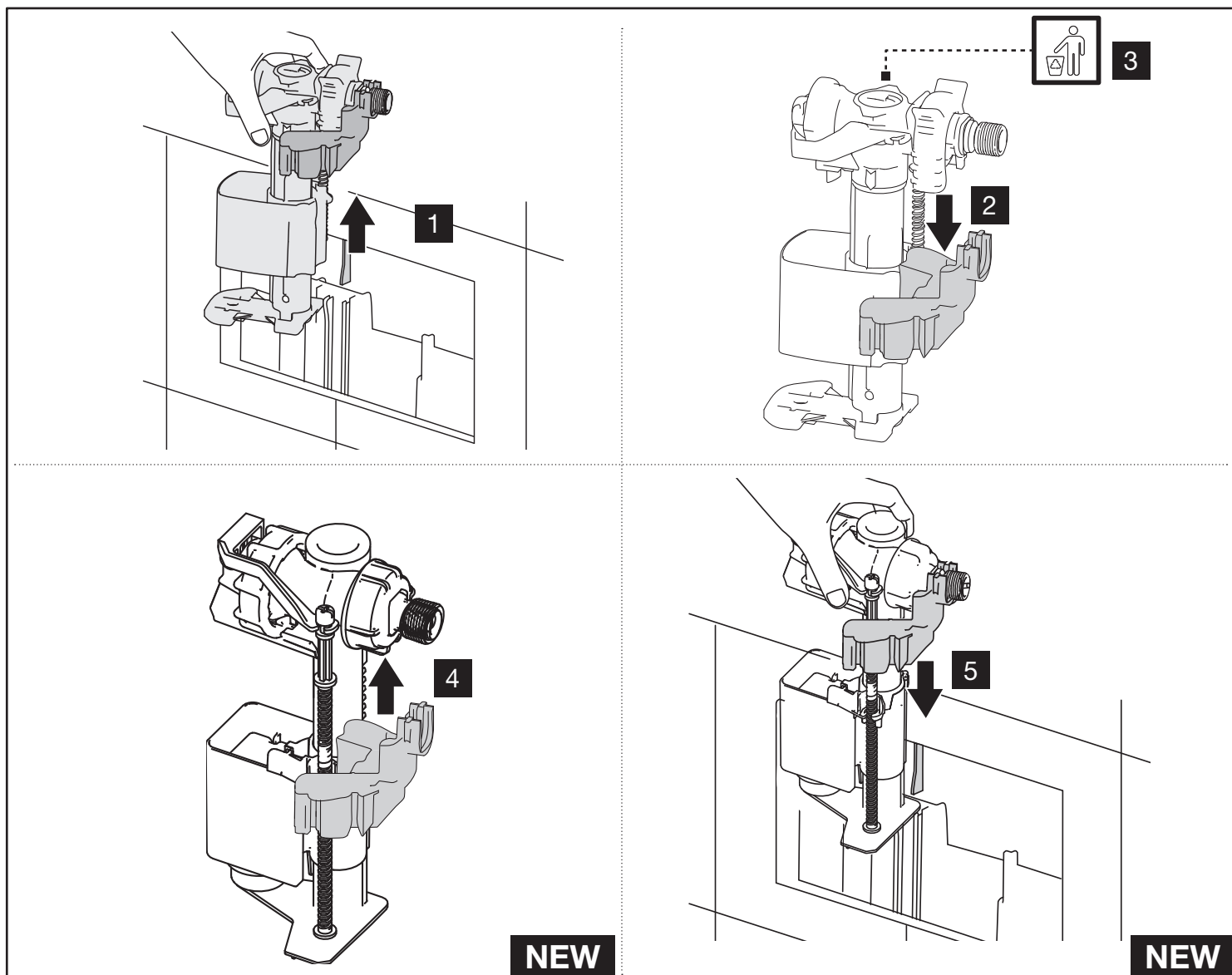


OLI80 (<2024)			OLI80 (<2024)		OLI80 (>2024)	
A	D	E	A	D	A	E

OLI: EXPERT / CORNER

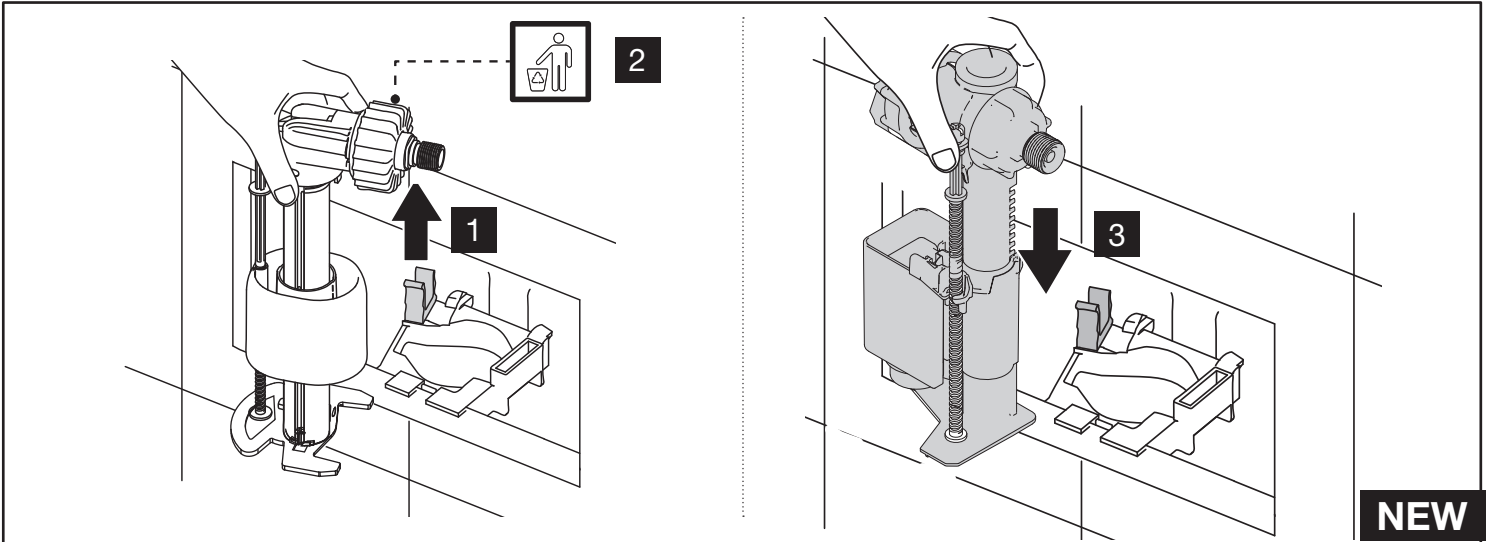


OLI: EXPERT PLUS

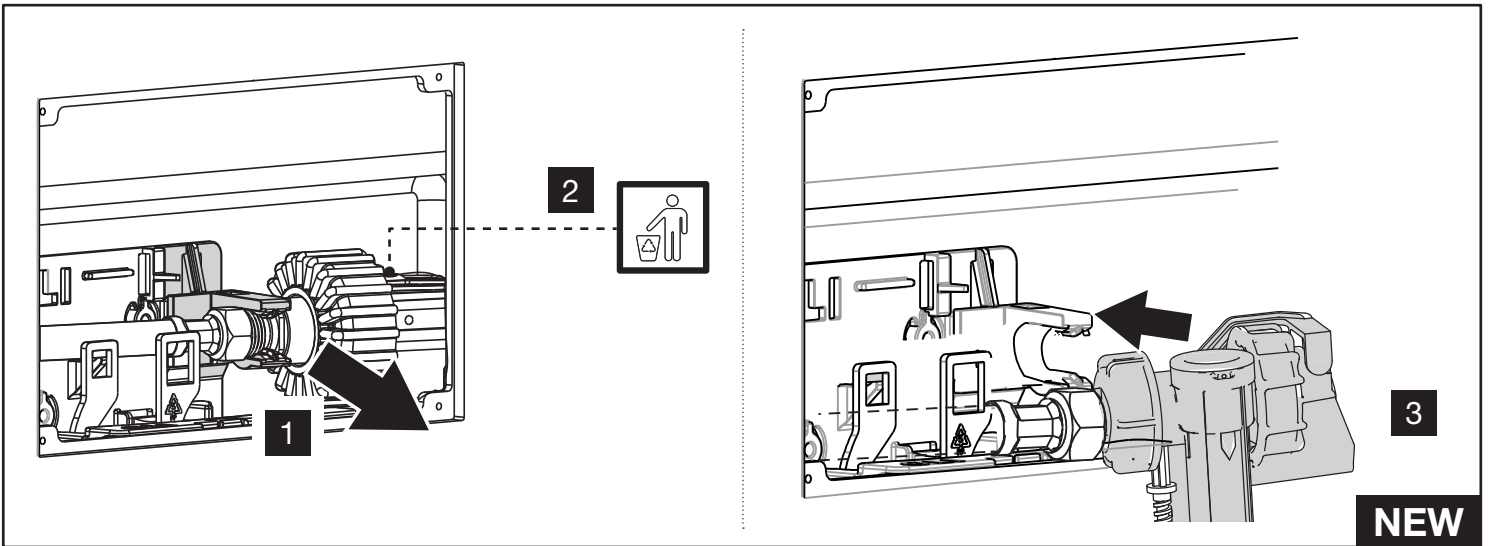


EXPERT/CORNER	EXPERT PLUS
A	A

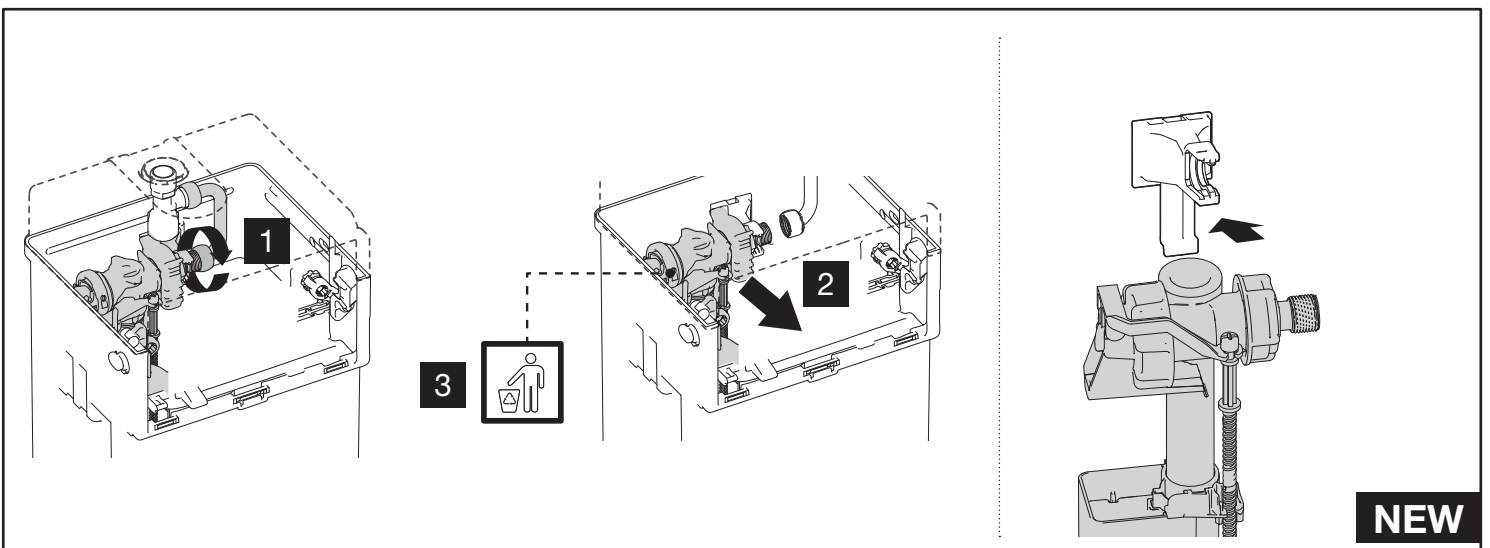
OLI: GIADA (1998-2010)



OLI: BETTER

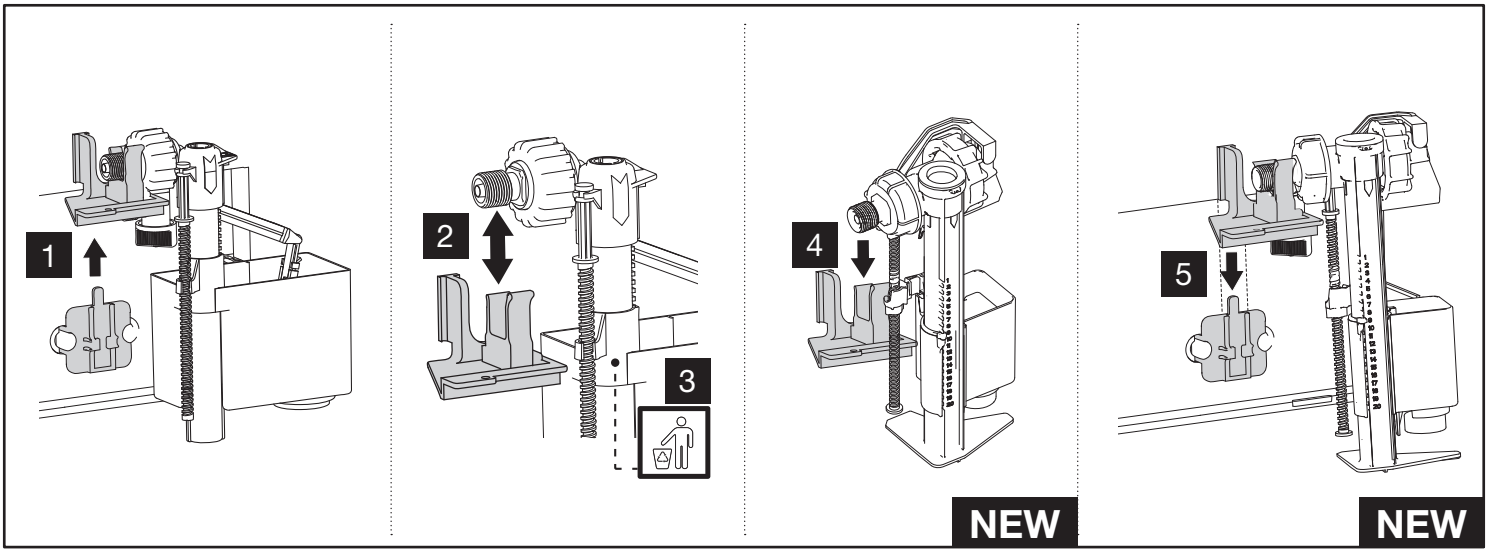


OLI: QUADRA

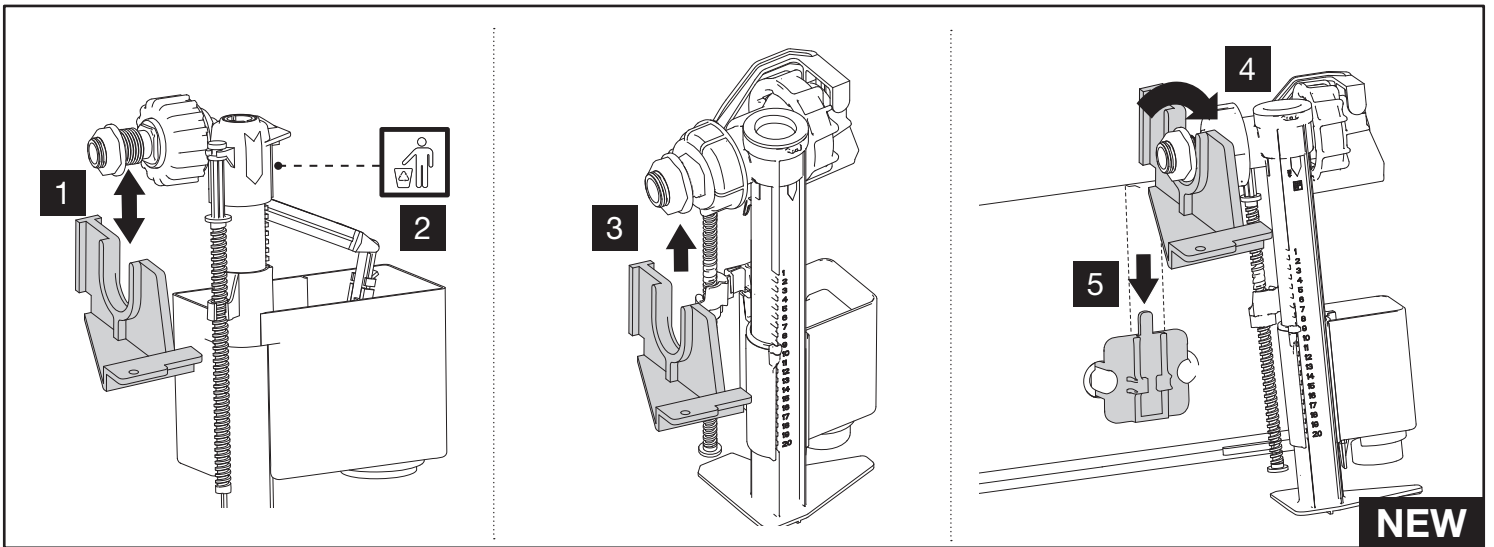


GIADA	BETTER	QUADRA
A	A	A

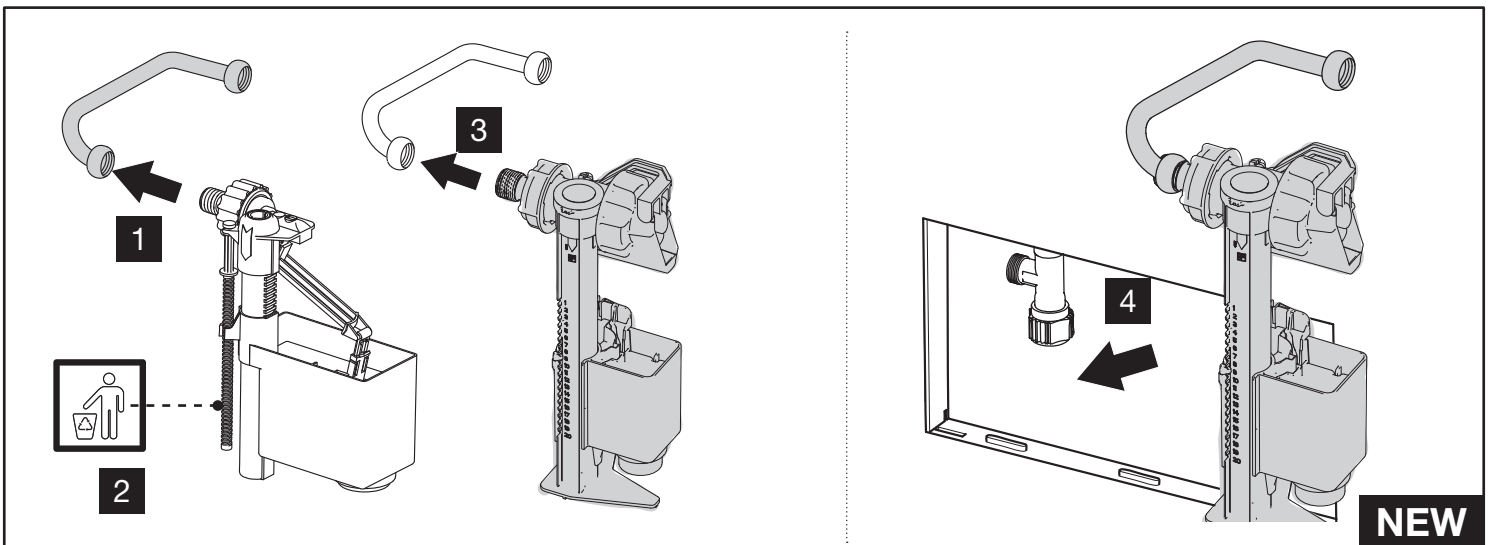
OLI: Diamante 2003-2013



OLI: Diamante 2000-2002

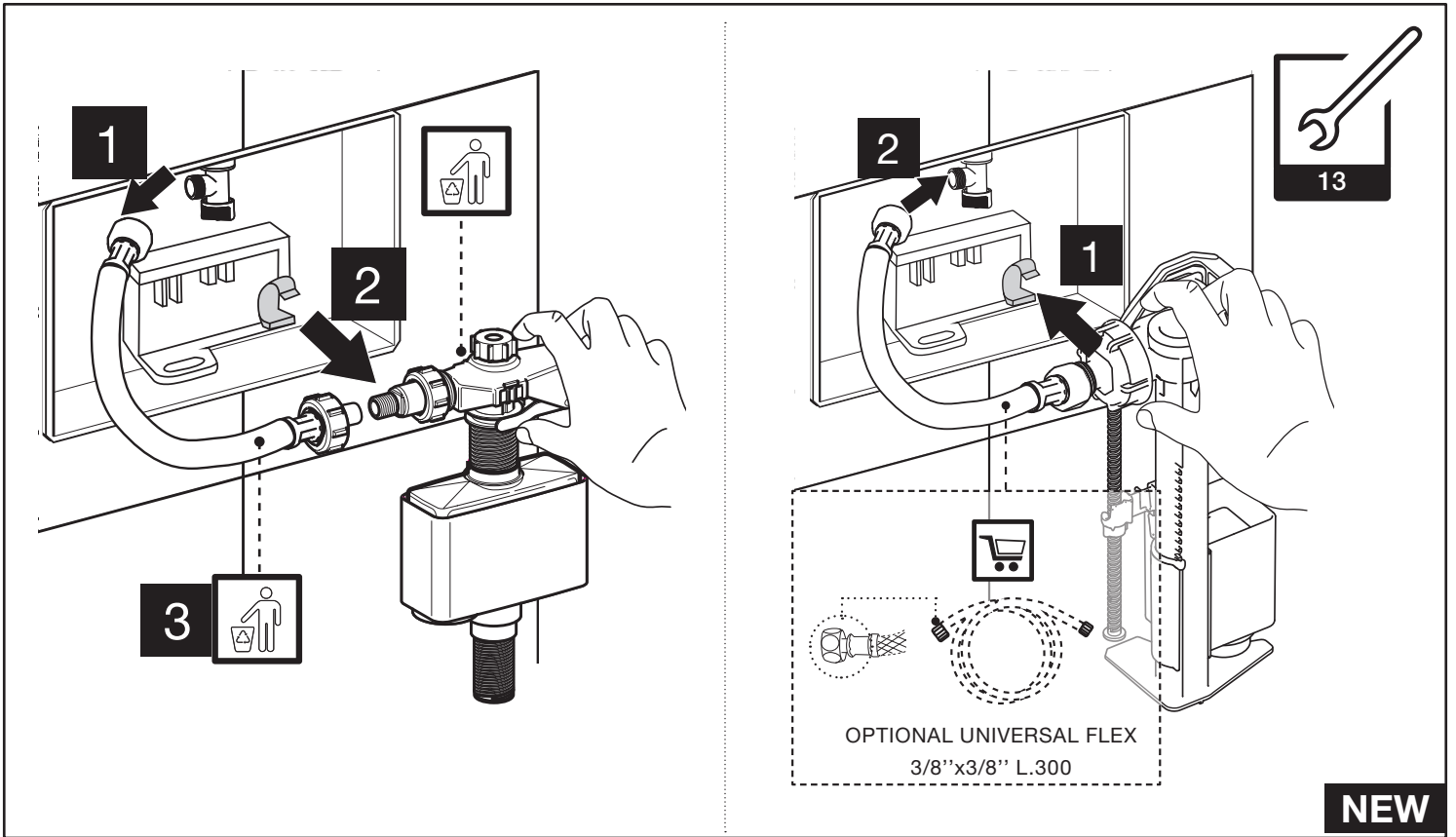


OLI: Diamante 1993-1999



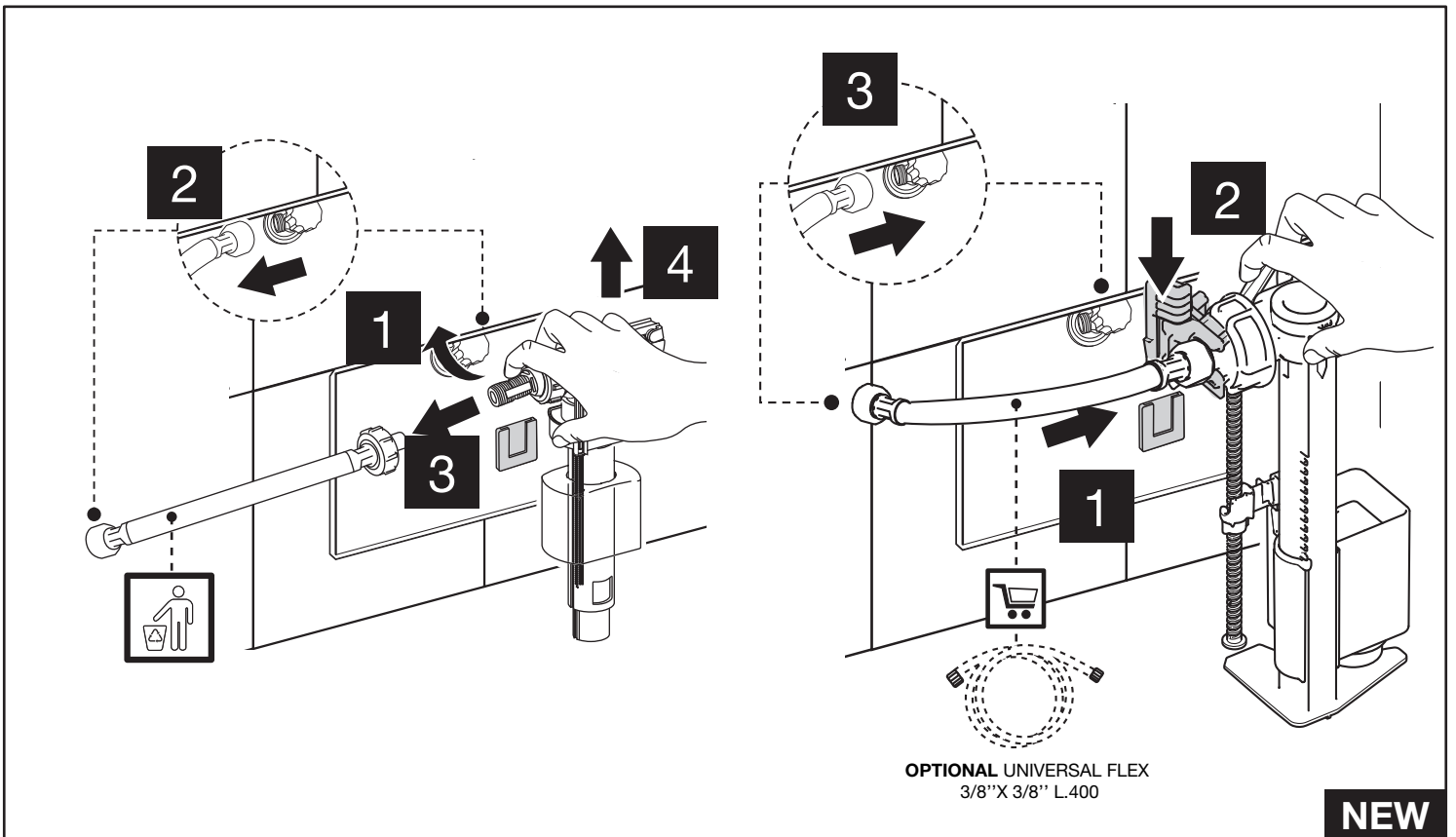
Diamante 2003-2013	Diamante 2000-2002	Diamante 1993-1999
A	A	D
		A

***GEBERIT® TWILINE UP170 (1989-2004)**



NEW

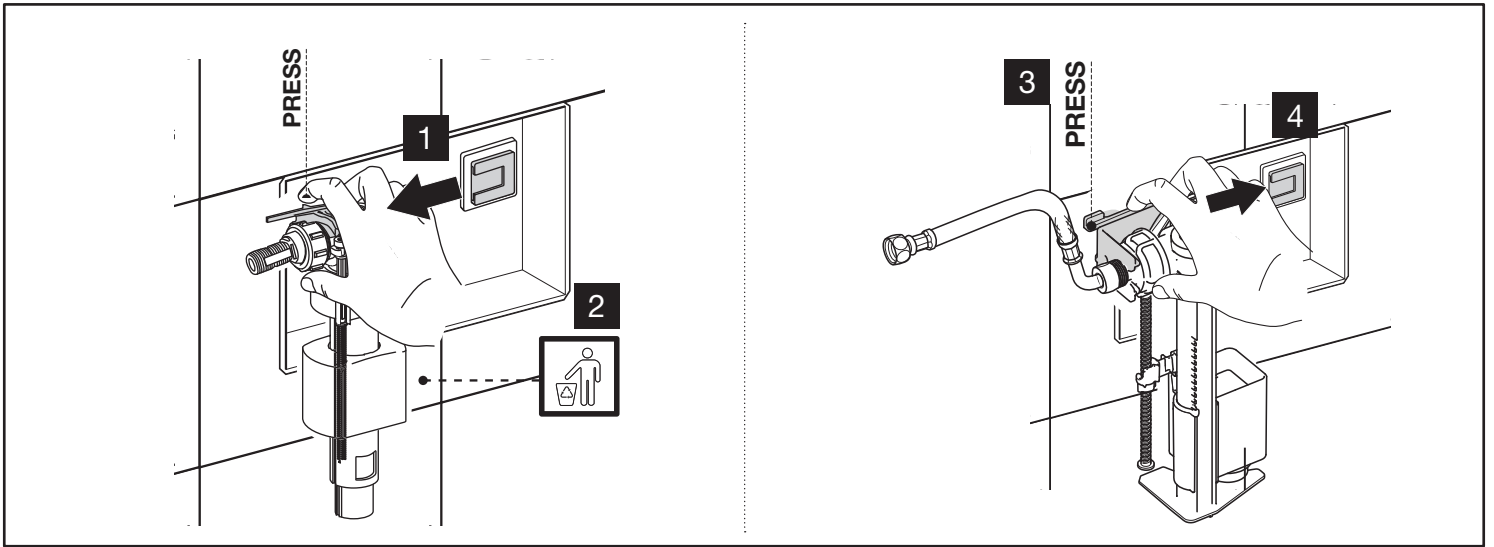
***GEBERIT® DUOFIX SIGMA12**



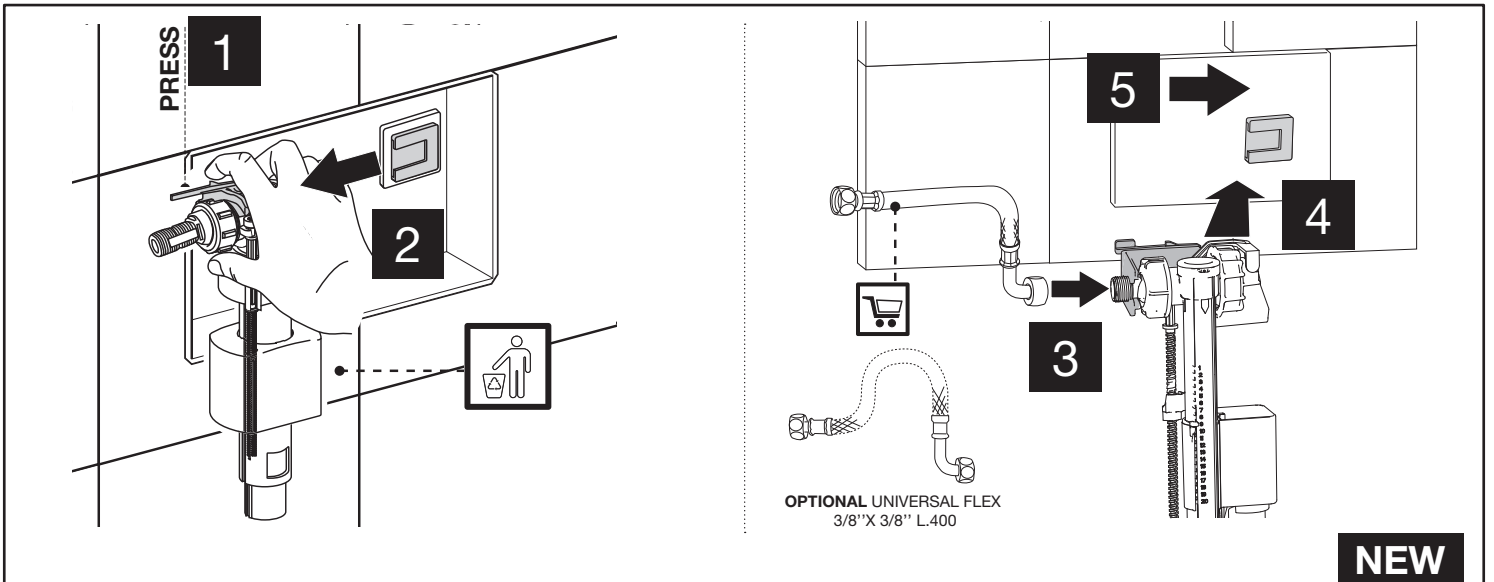
NEW

TWILINE UP170 (1989-2004)	DUOFIX SIGMA12	
A	A	D

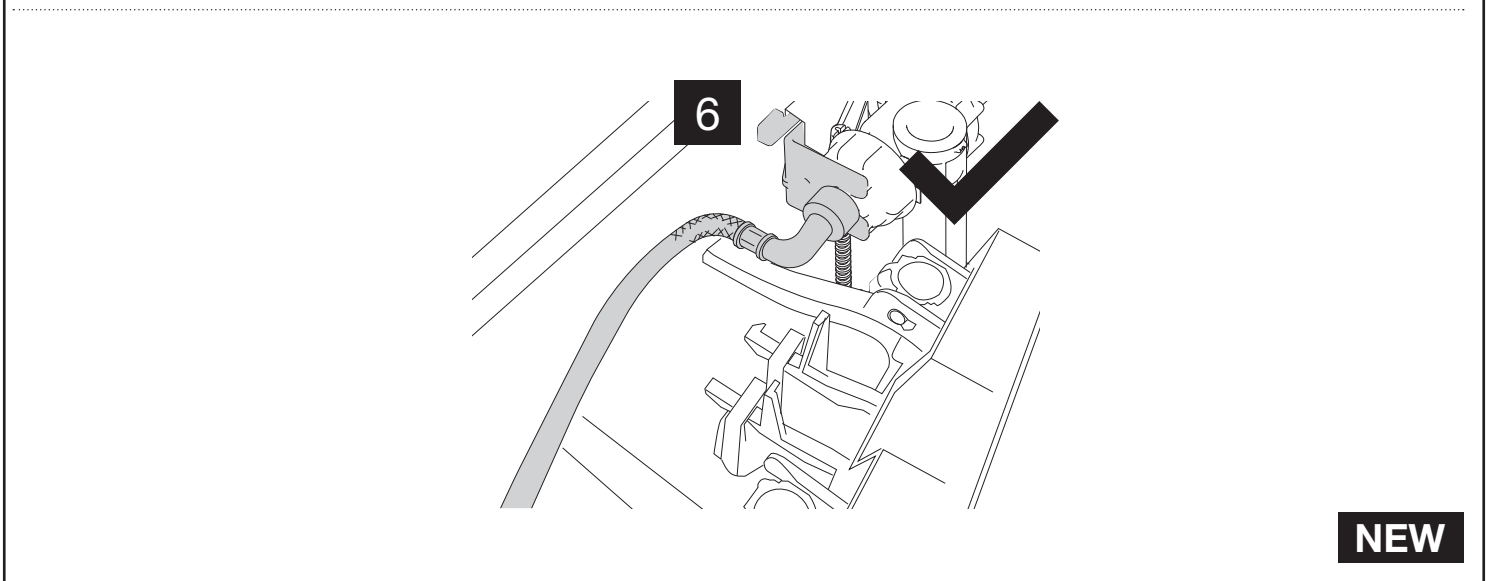
***GEBERIT® DUOFIX SIGMA 8 | ALPHA 8 | UNICA UP720**



***GEBERIT® OMEGA**



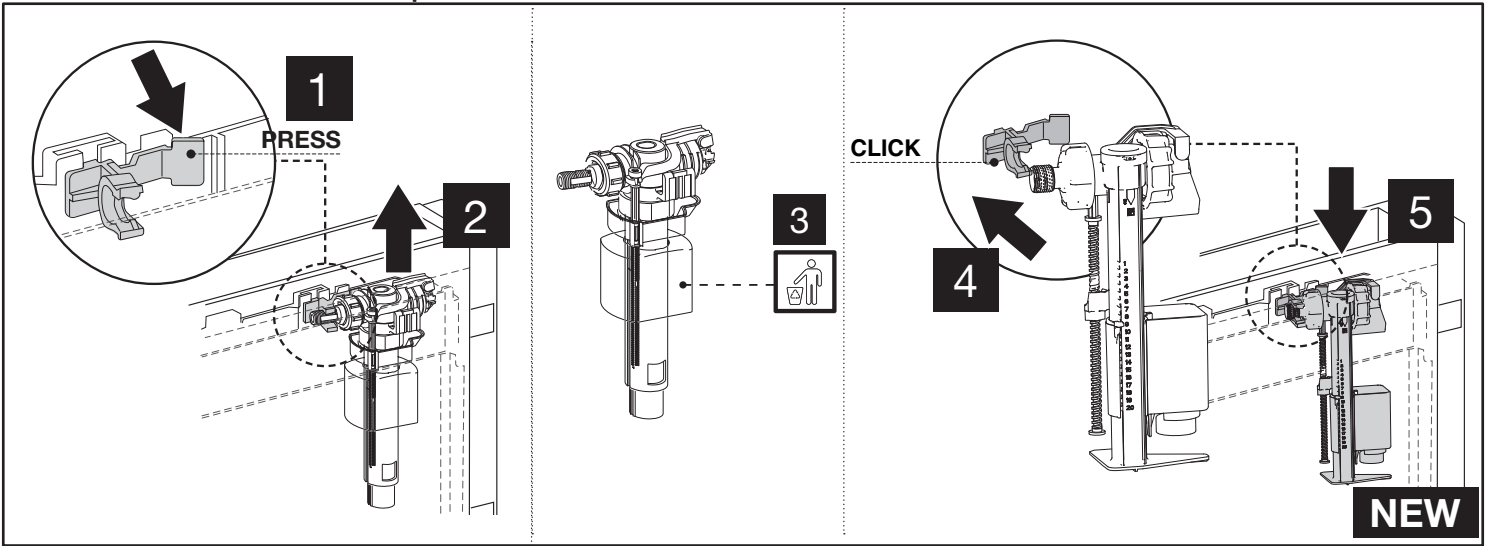
NEW



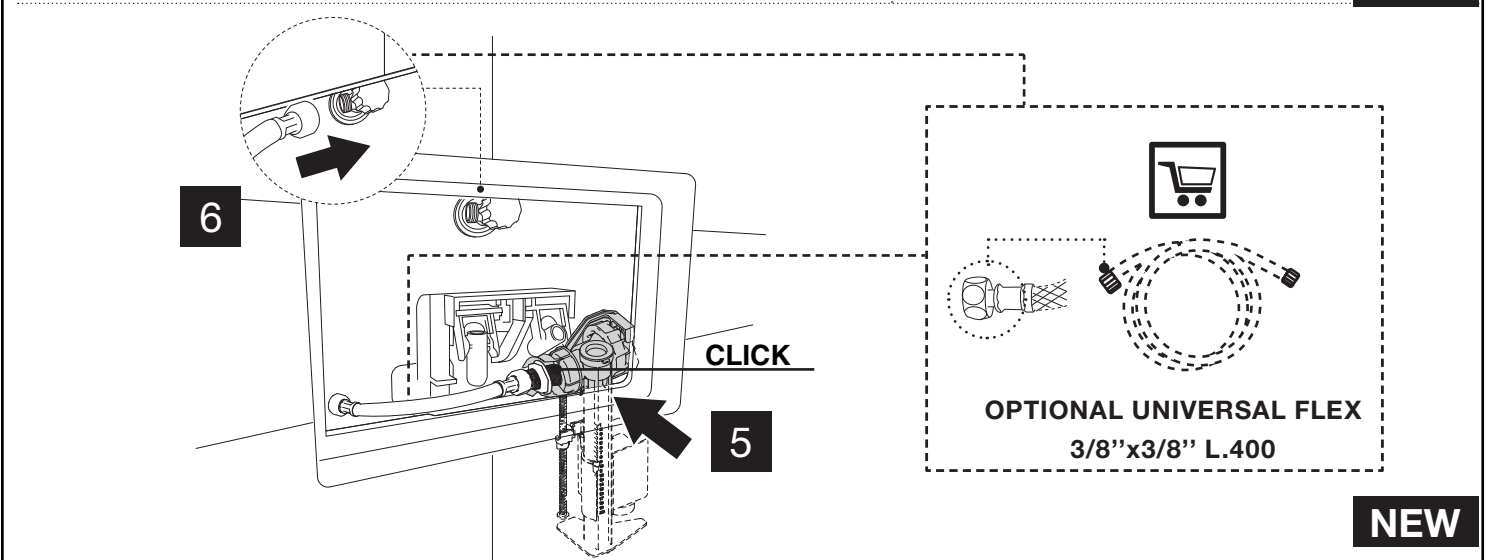
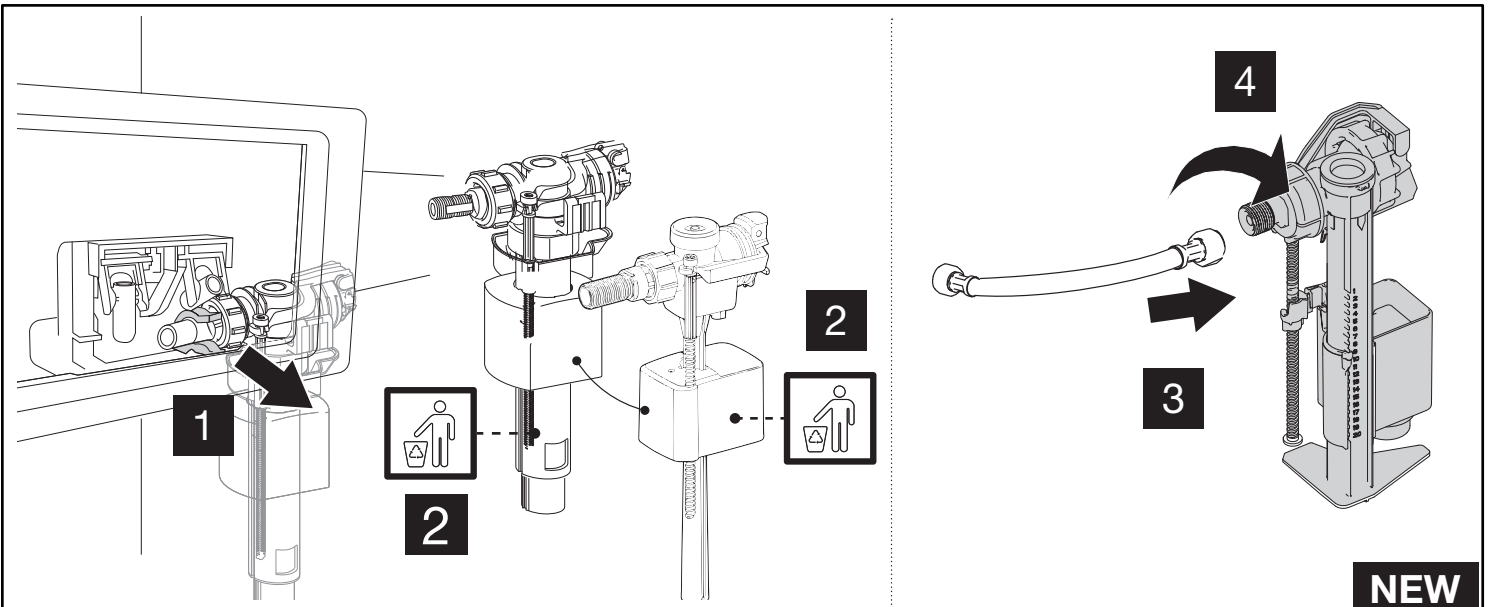
NEW

DUOFIX SIGMA 8 ALPHA 8 UNICA UP720		OMEGA	
A	D	A	D

***GEBERIT® MONOLITH | MONOLITH PLUS**

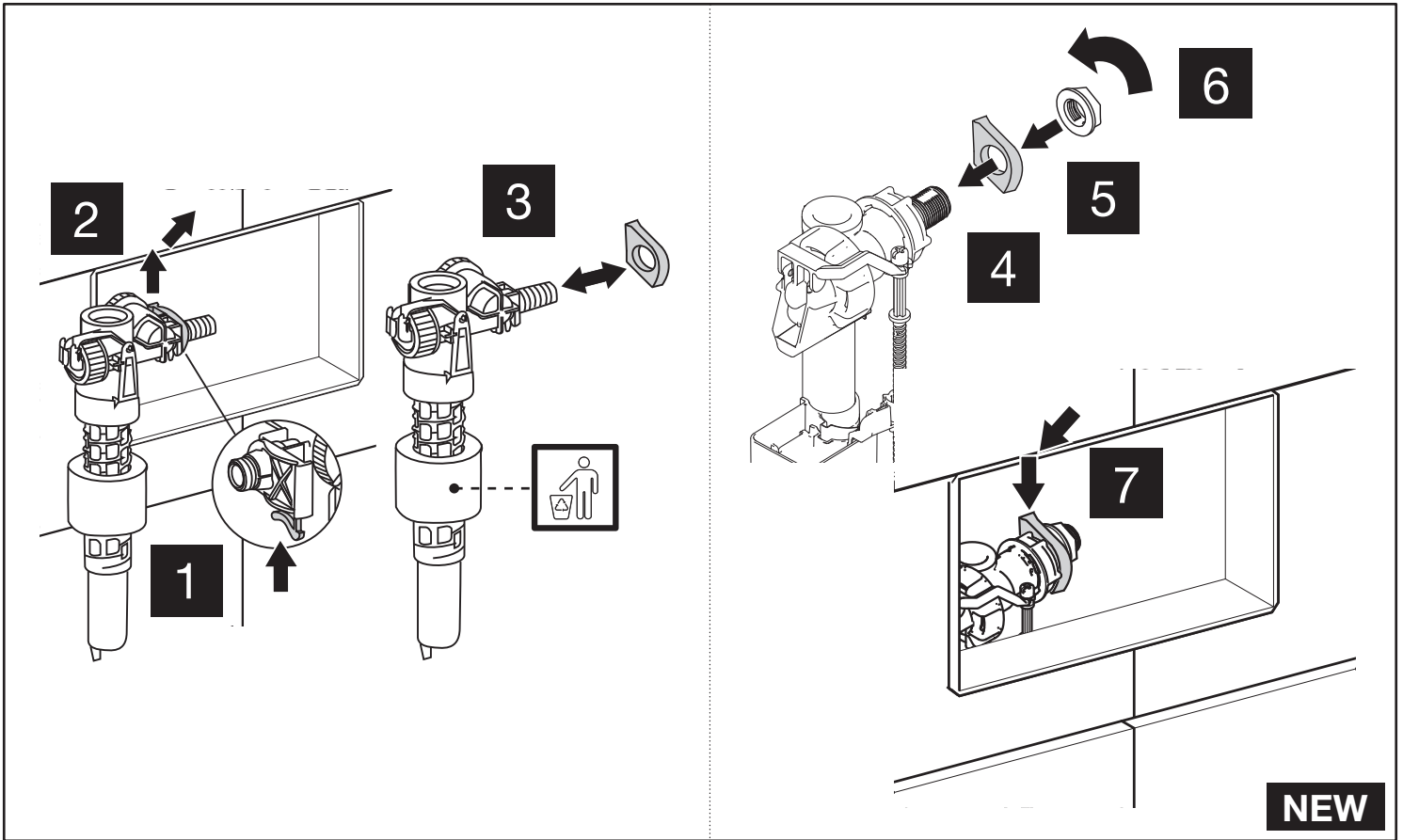


***GEBERIT® DELTA12**

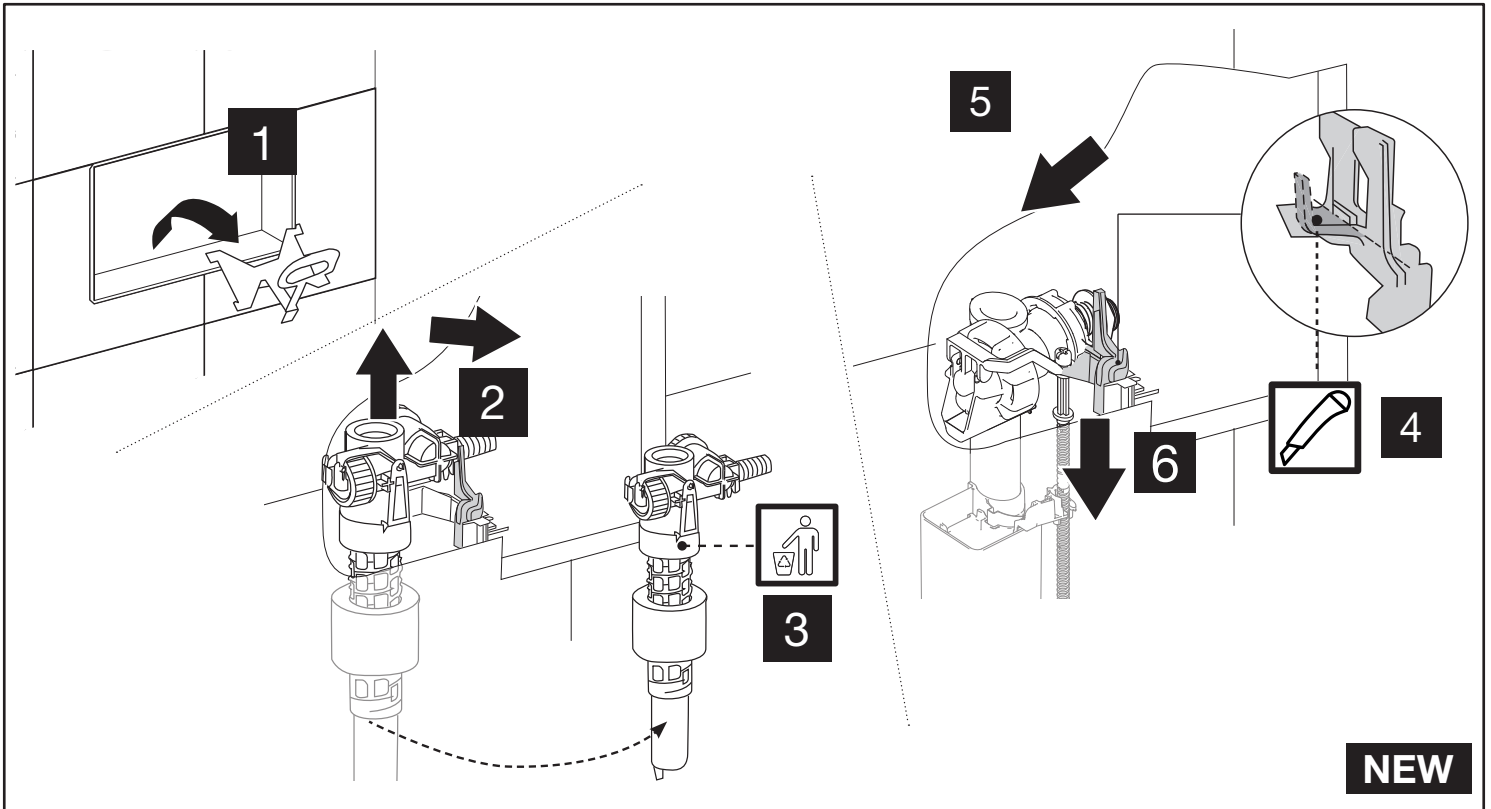


MONOLITH MONOLITH PLUS	DELTA12
A	A

***GROHE® CASSETTA SCIAQUO ITALIANA 80MM**

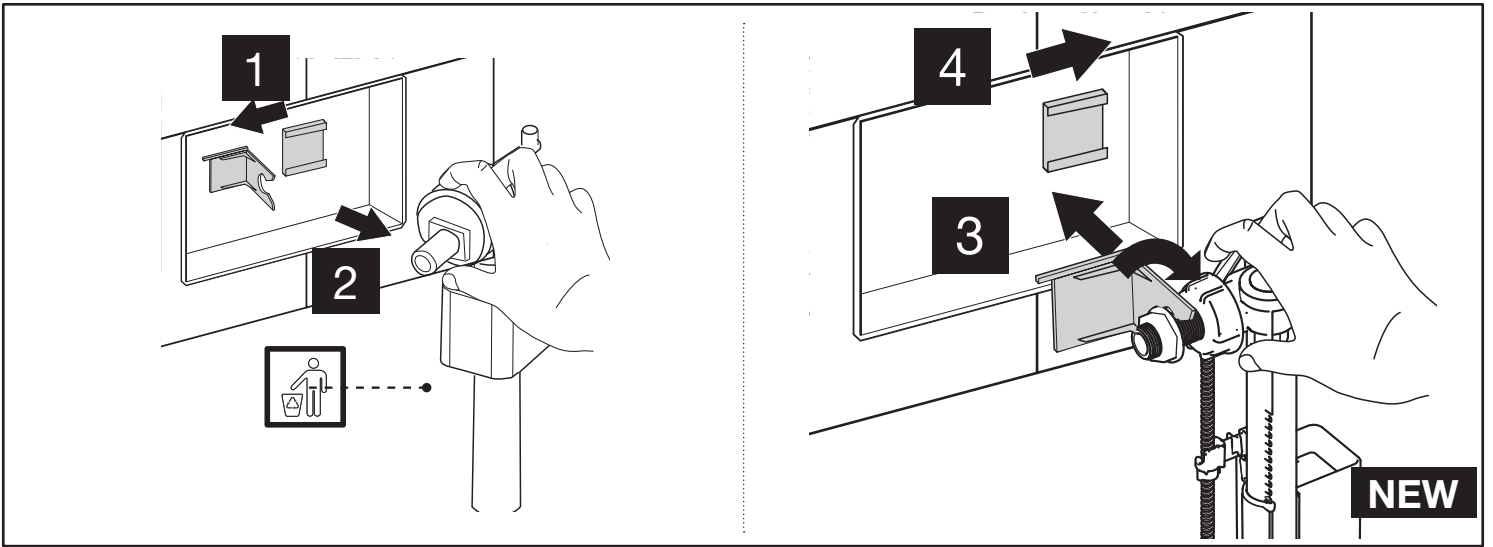


***GROHE® RAPID SL | RAPID SLX**

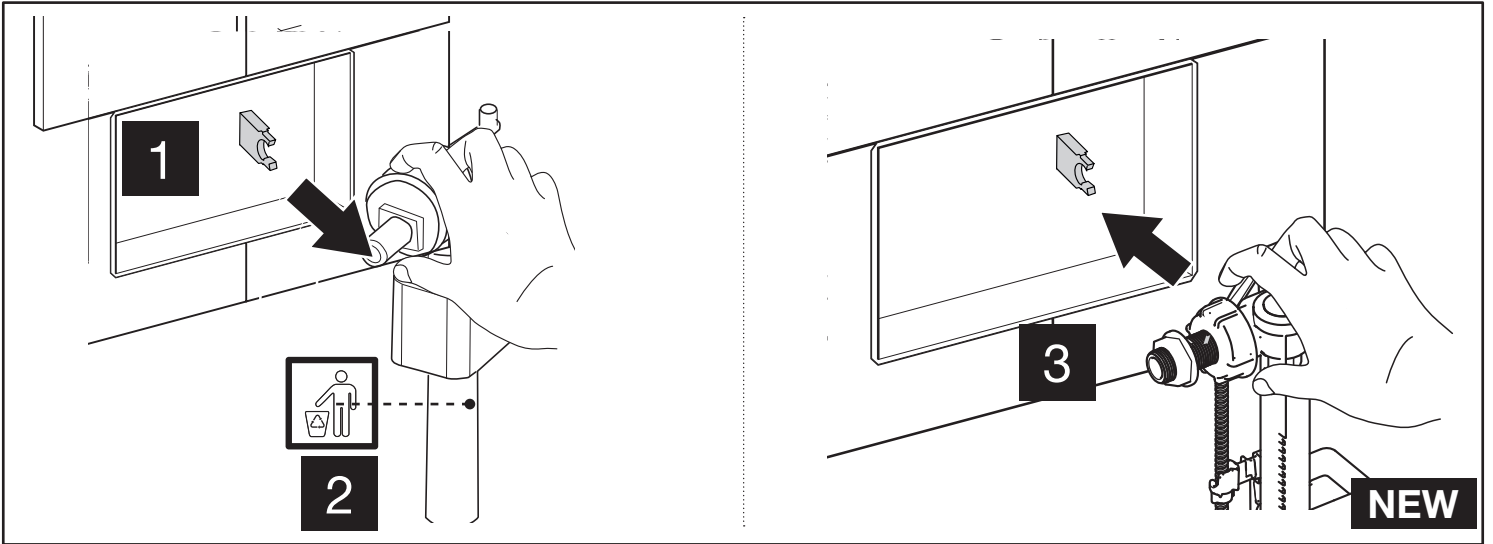


CASSETTA SCIAQUO ITALIANA 80MM		RAPID SL RAPID SLX	
A	G	A	G

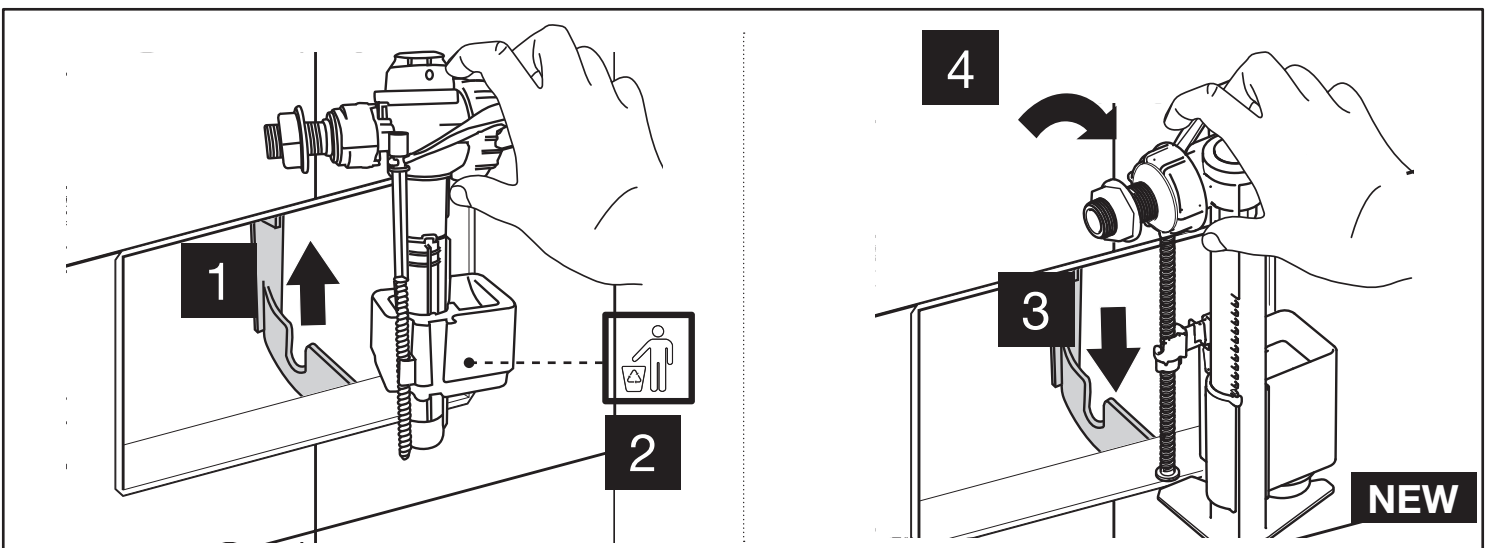
***TECE® BOX BASIC**



***TECE® TECE 1120**

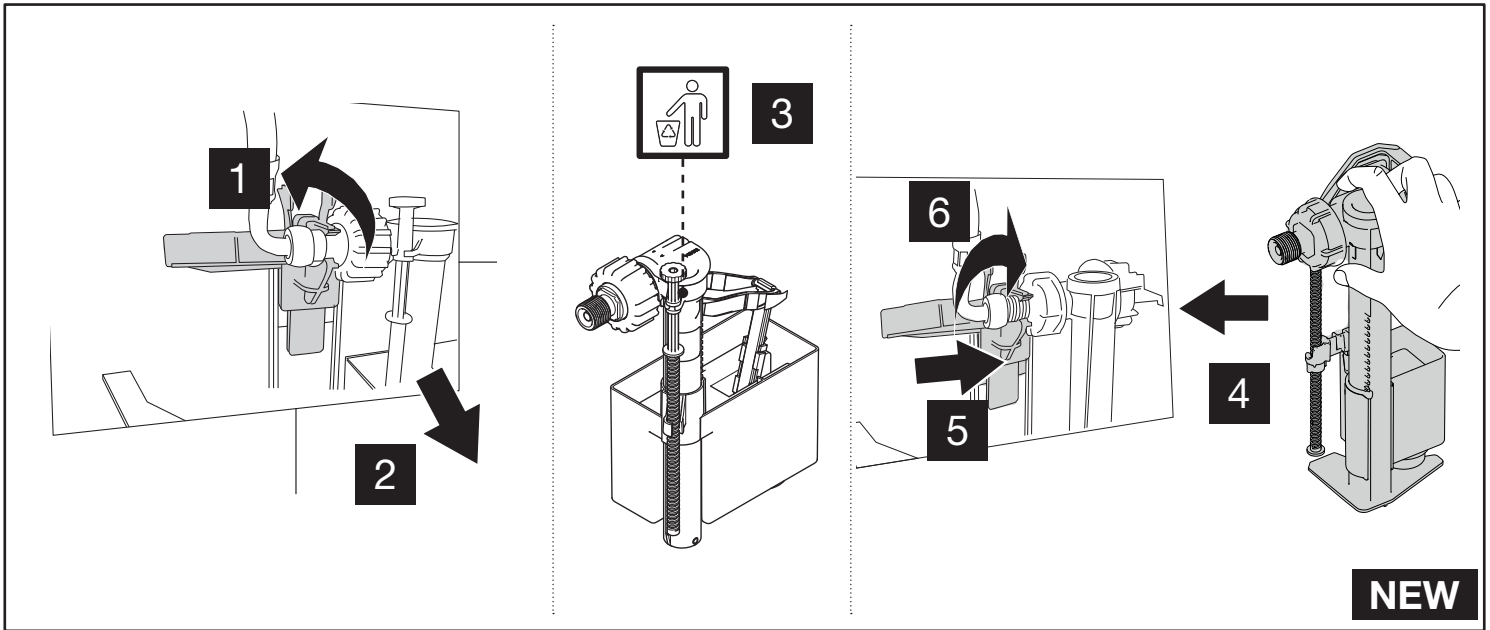


***ITS TODINI® HIDROBOX**

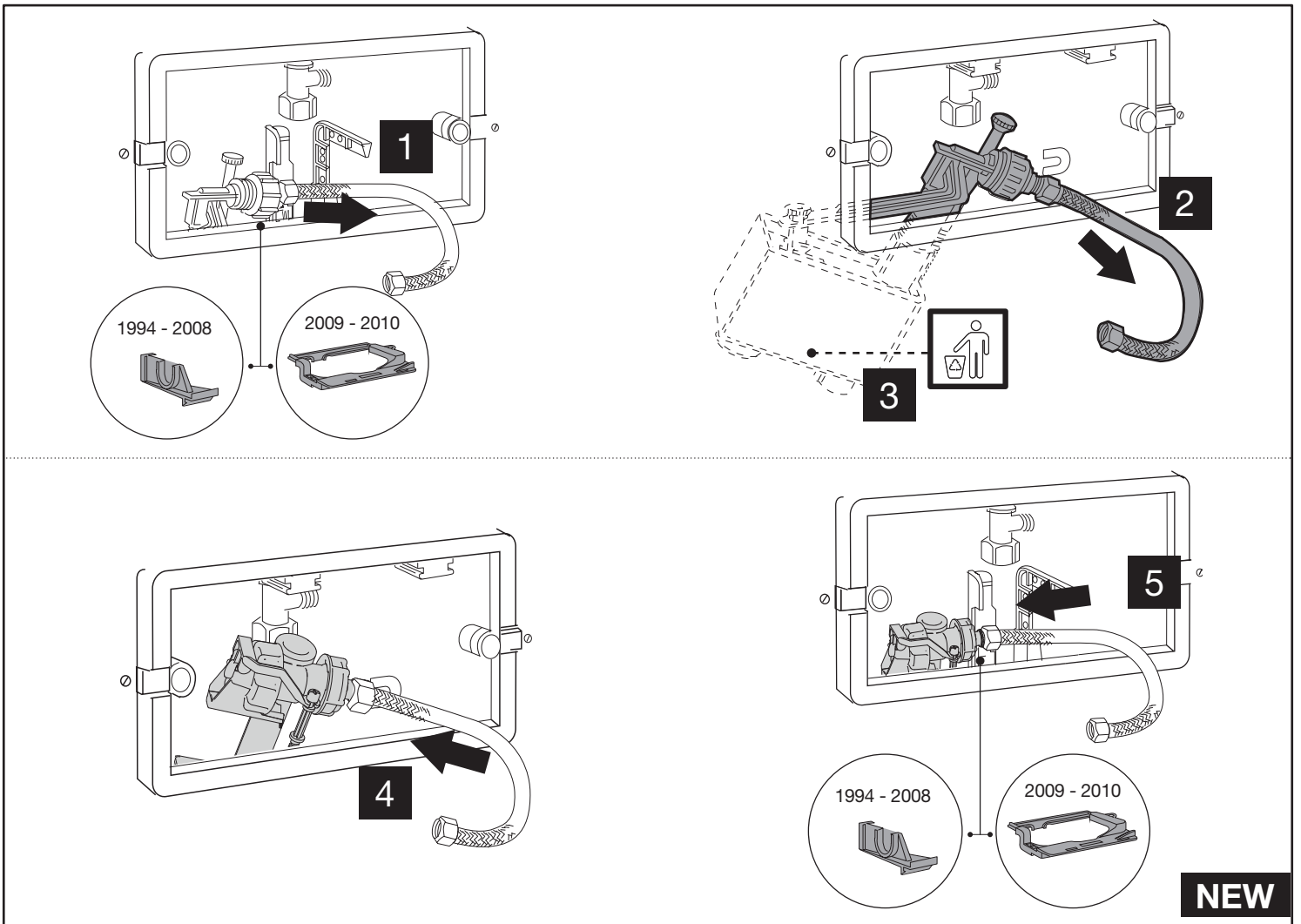


TECE BOX BASIC		TECE 1120		ITS TODINI® HIDROBOX	
A	G	A	G	A	F

***VIEGA® ECO PLUS**

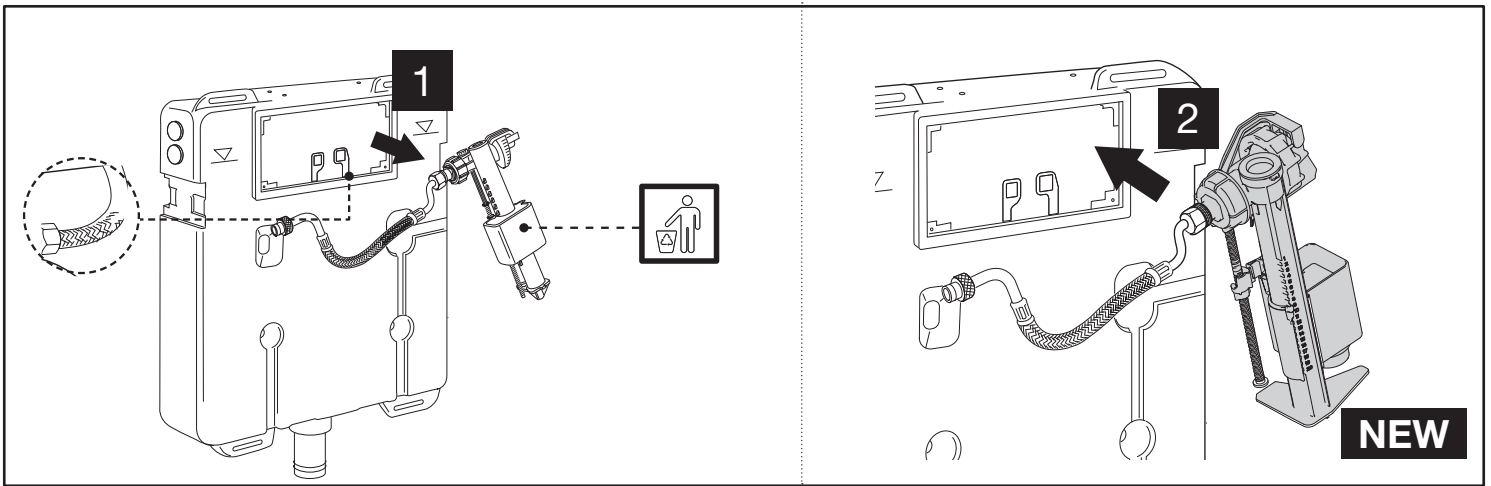


***VALSIR® MEDUSA**

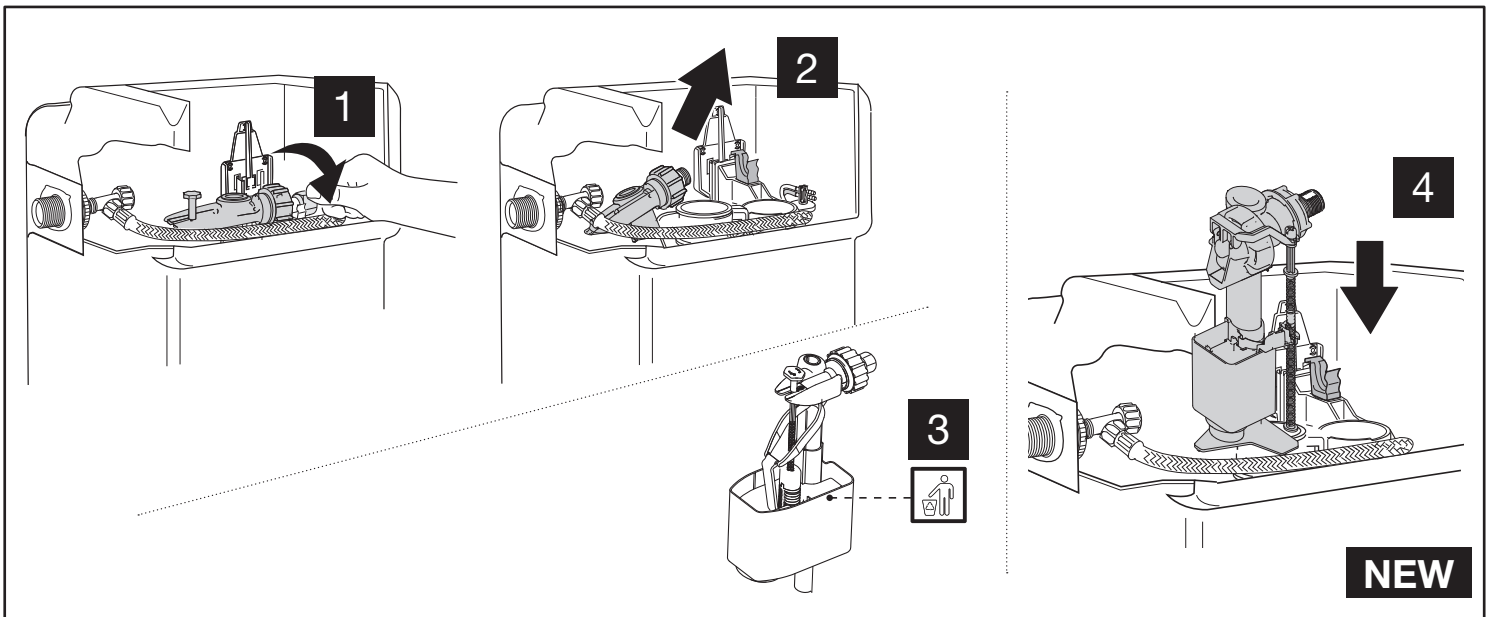


*VIEGA® ECO PLUS	*VALSIR® MEDUSA (2009-2010)	*VALSIR® MEDUSA (1994-2008)	
A	A	A	F

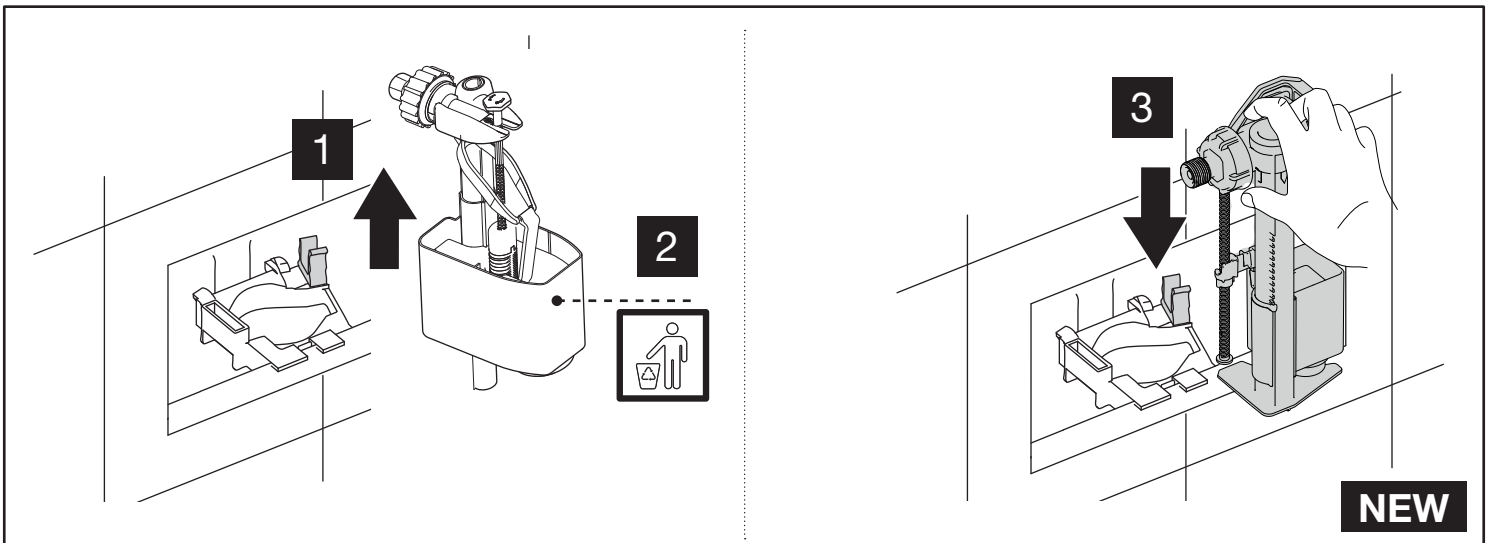
***VALSIR® TROPEA-TROPEA 2 (2004-2012)**



***VALSIR® CUBIK**

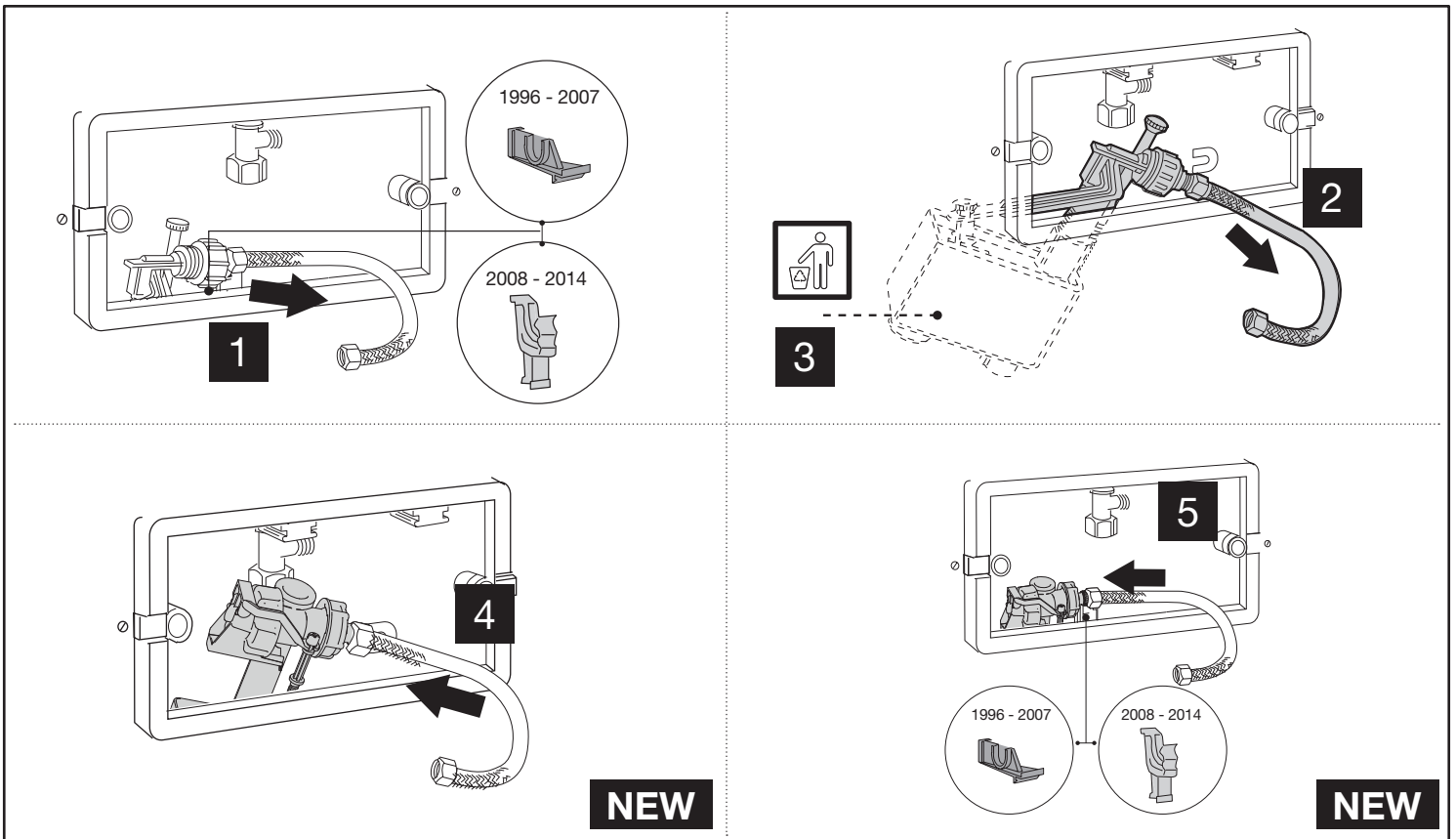


***VALSIR® EGEA | WINNER**

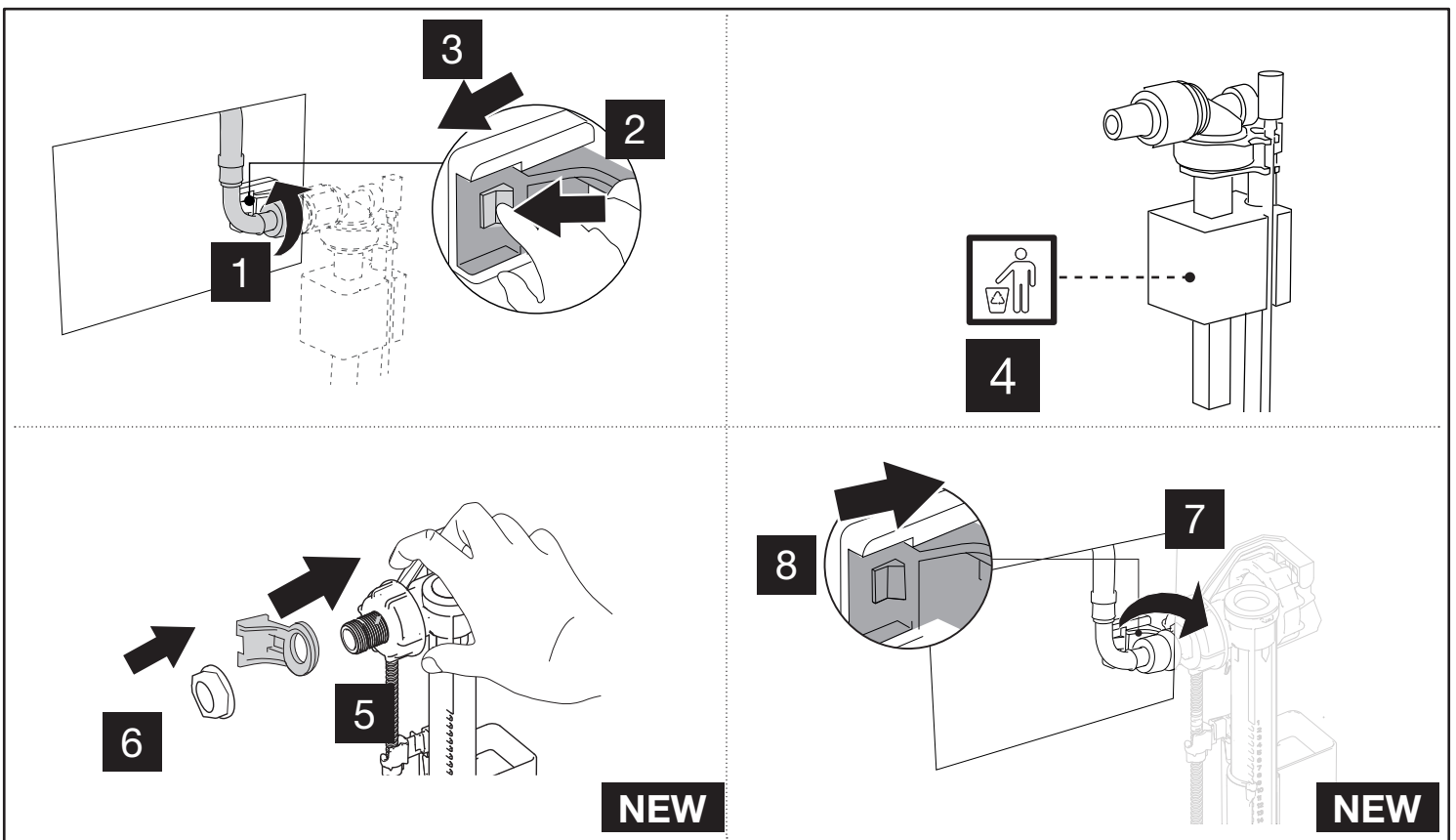


TROPEA-TROPEA 2 (2004-2012)	CUBIK	EGEA WINNER
A	A	A

* VALSIR® RIOS | RIOS2 | EVOLUT | ANGEL

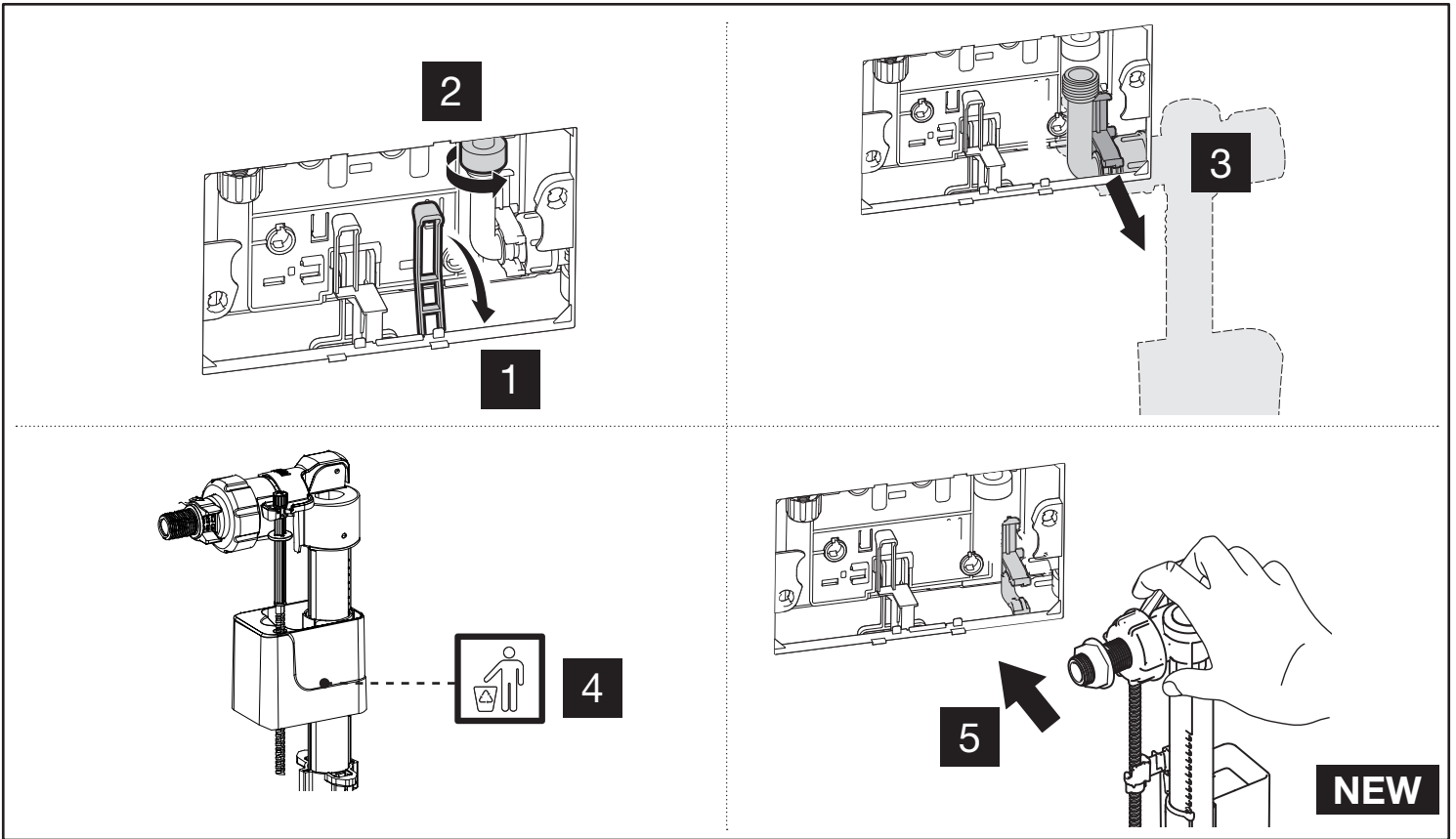


*BAMPI® BSILENT

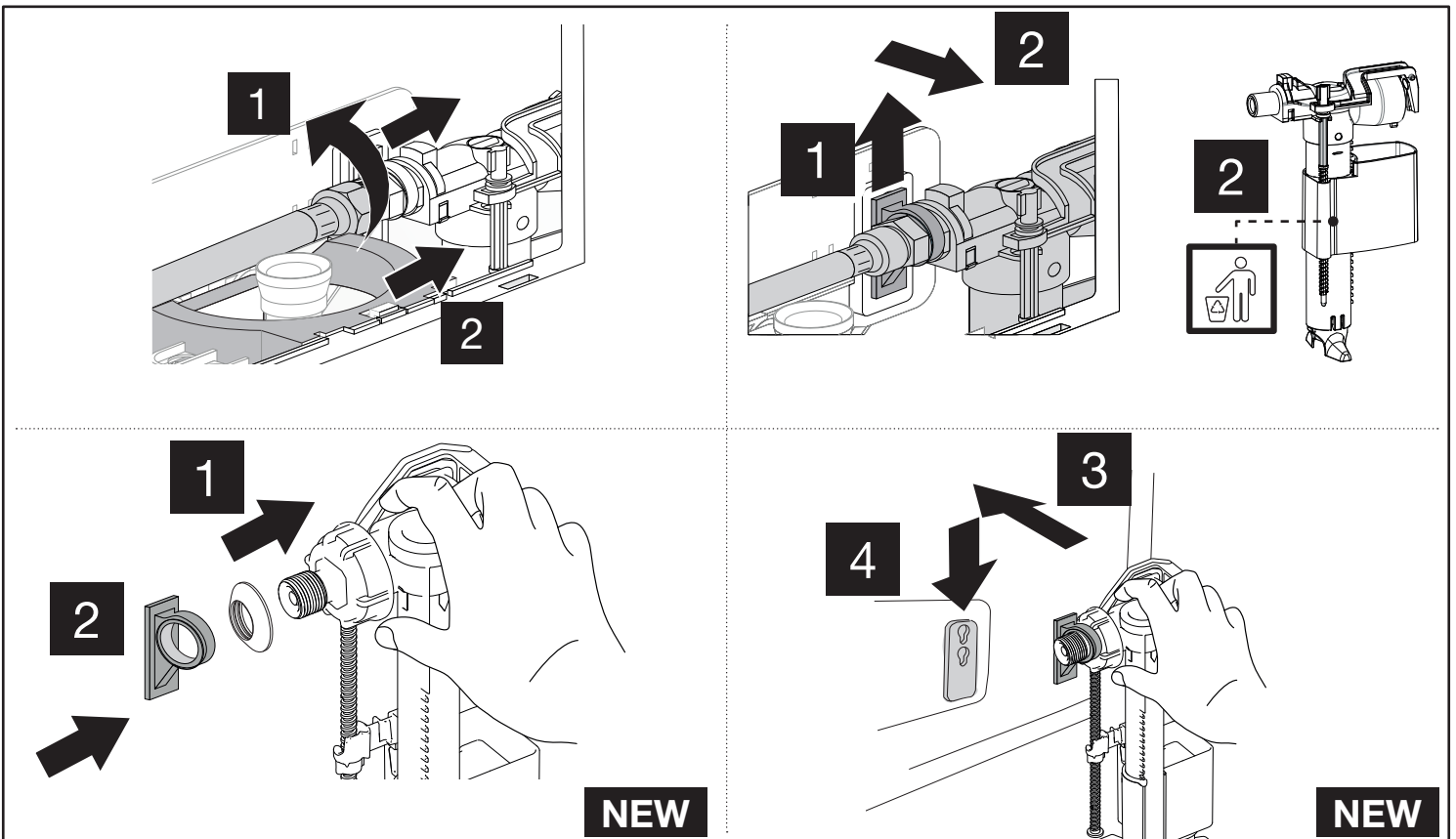


* VALSIR® RIOS RIOS2 EVOLUT ANGEL	*BAMPI® BSILENT	
A	A	G

***ROCA® ONE WC**

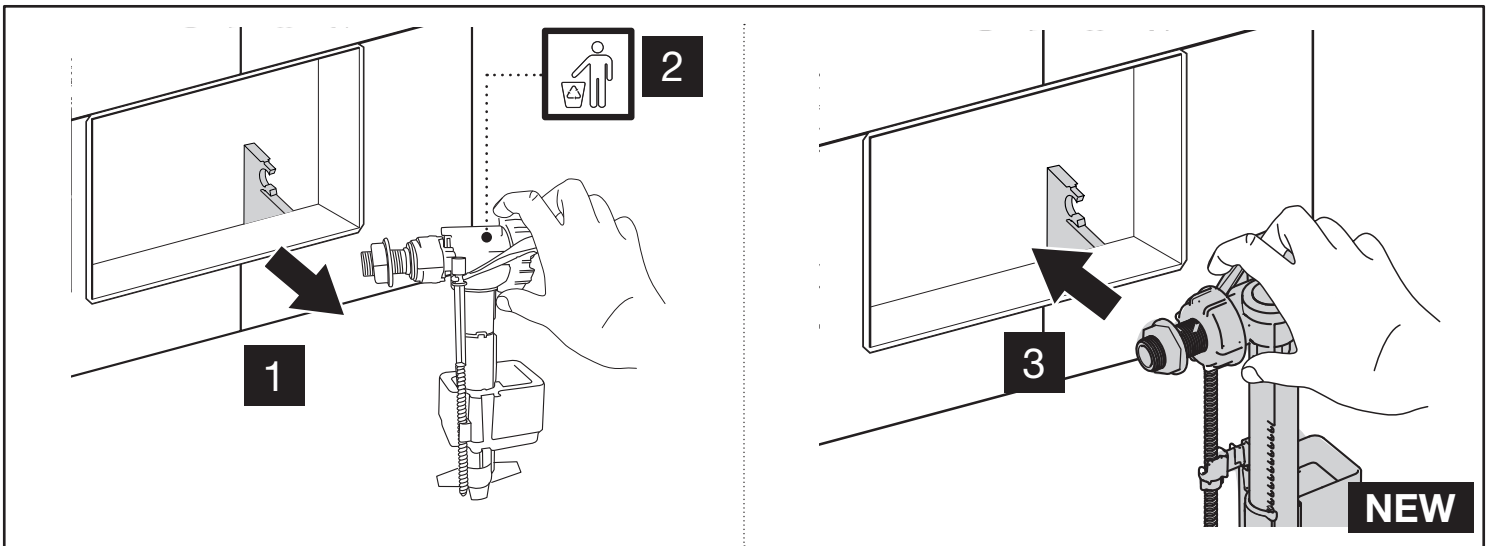


***ROCA® BASIC ONE WC COMPACT**

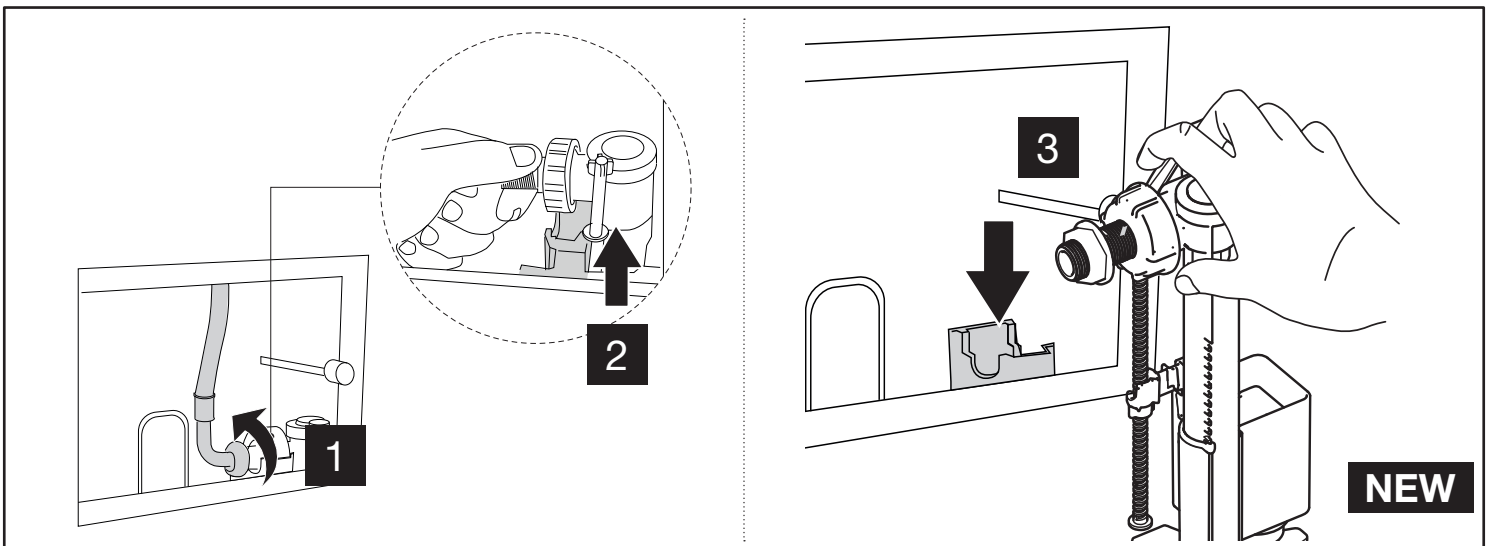


ONE WC		BASIC ONE WC COMPACT
A	G	A

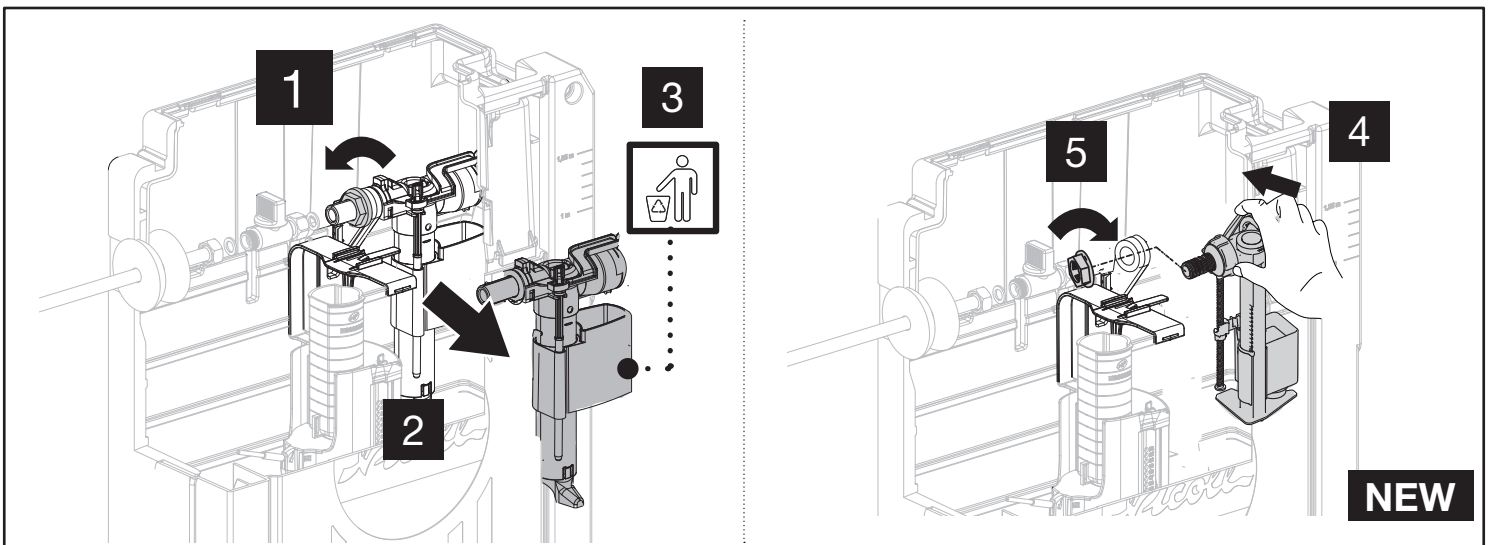
***MEPA® VARIVIT**



***KARIBA® PRATIKA**

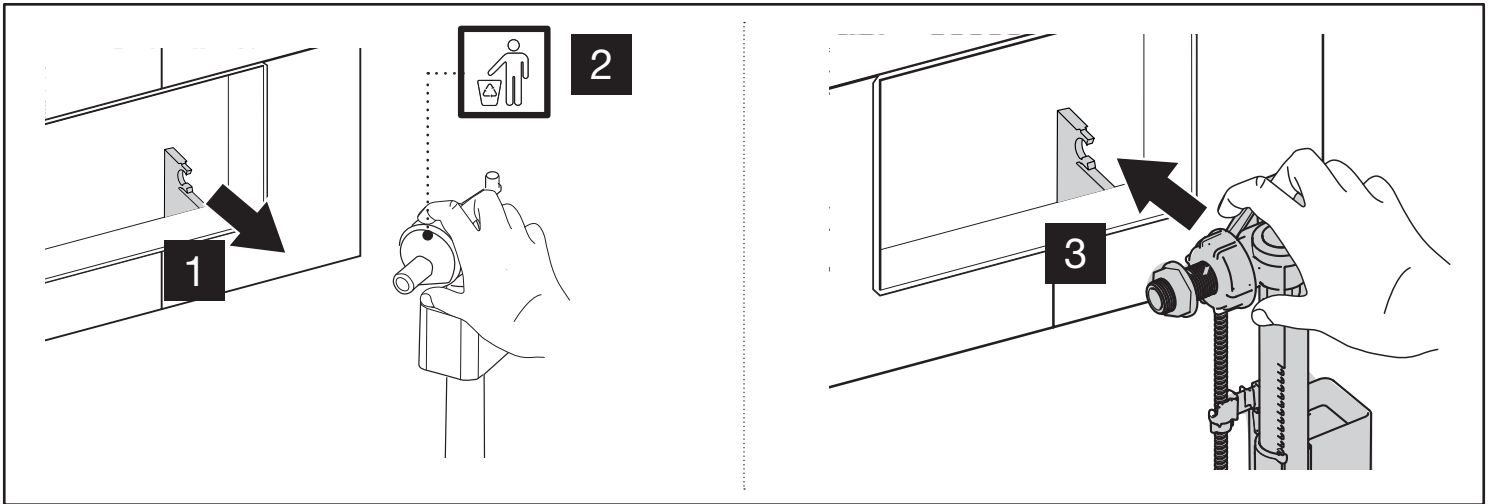


***NICOLL® WBS2P**

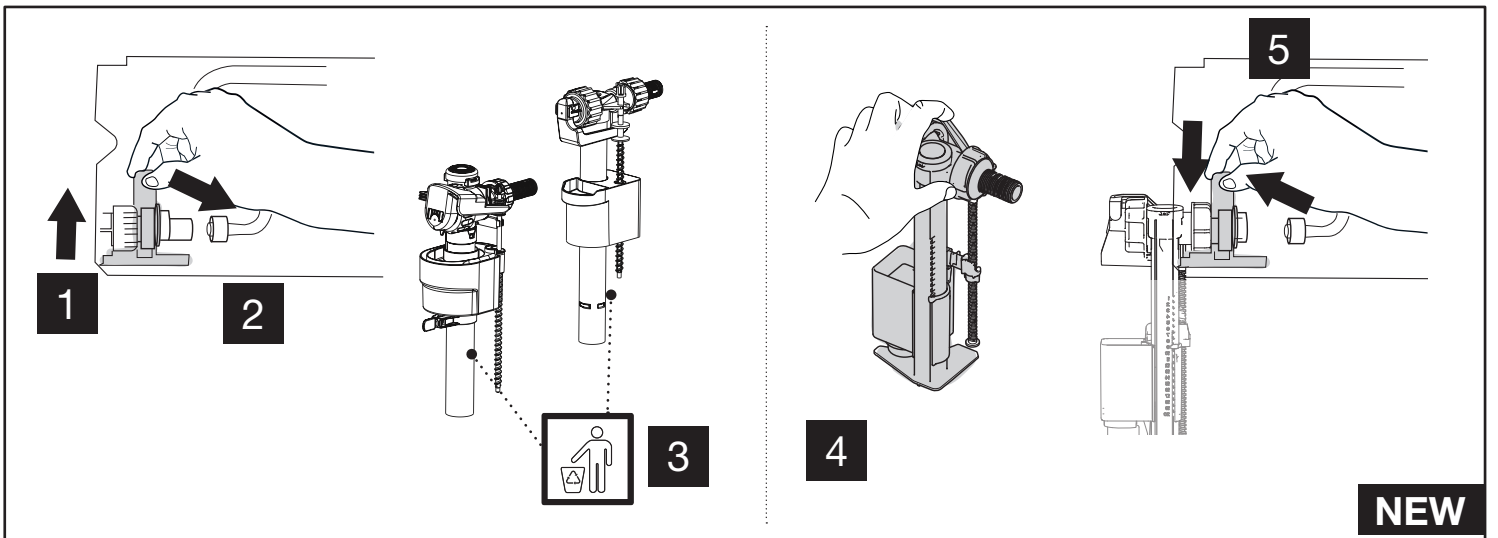


*MEPA® VARIVIT		*KARIBA® PRATIKA		*NICOLL® WBS2P	
A	G	A	G	A	F

***DURAVIT® DURASYSTEM 115CM**

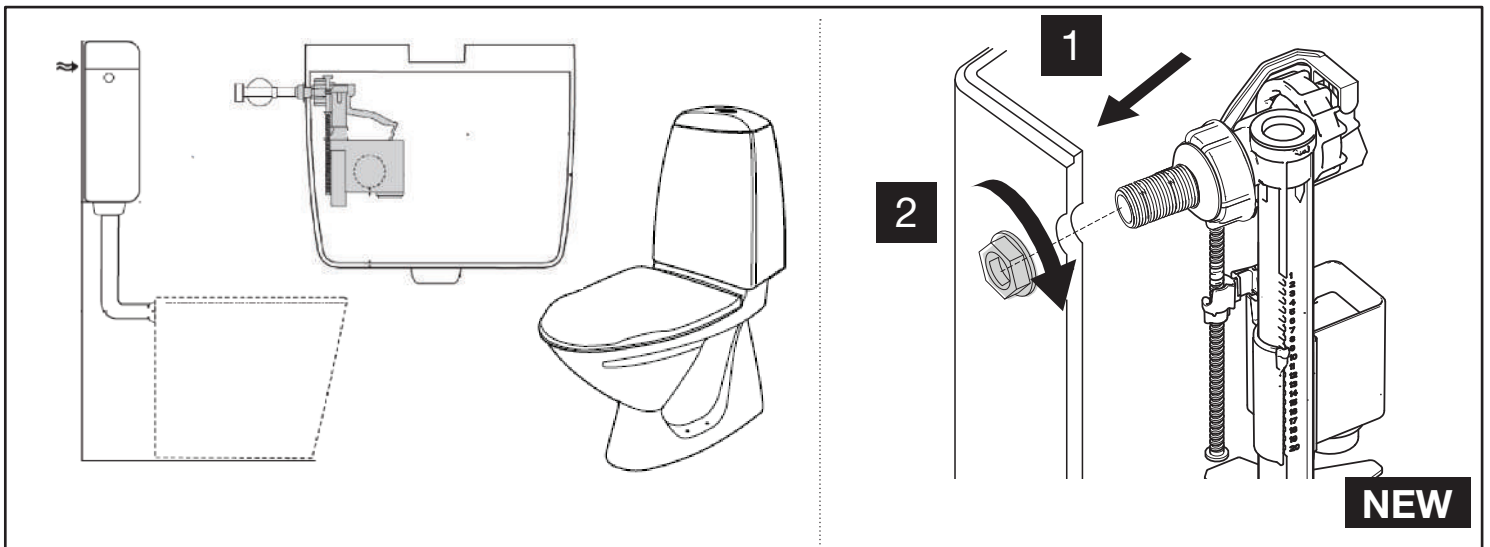


***SIAMP® INGENIO**



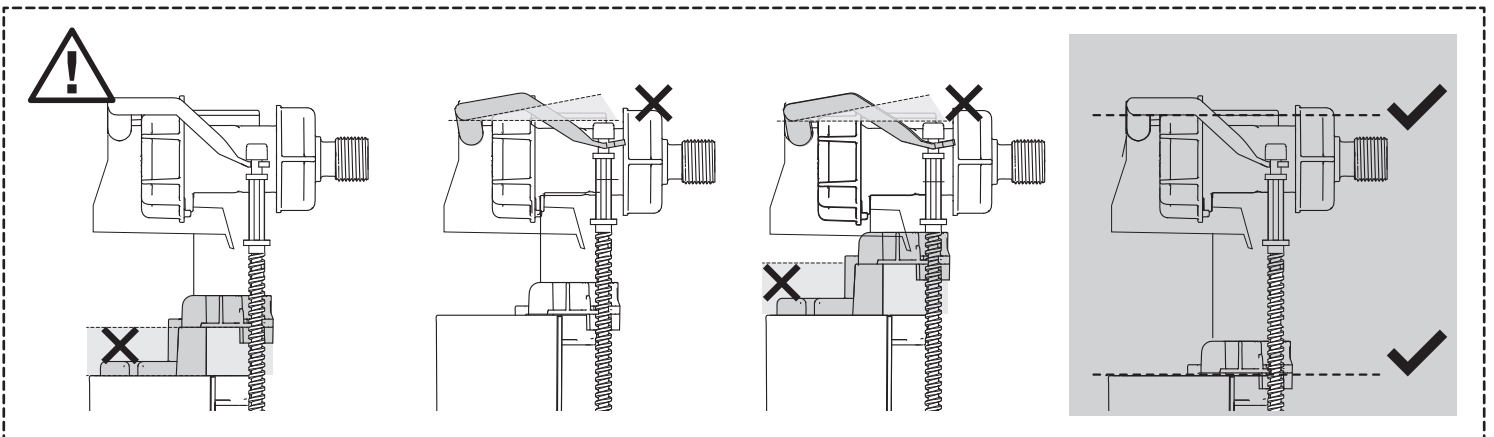
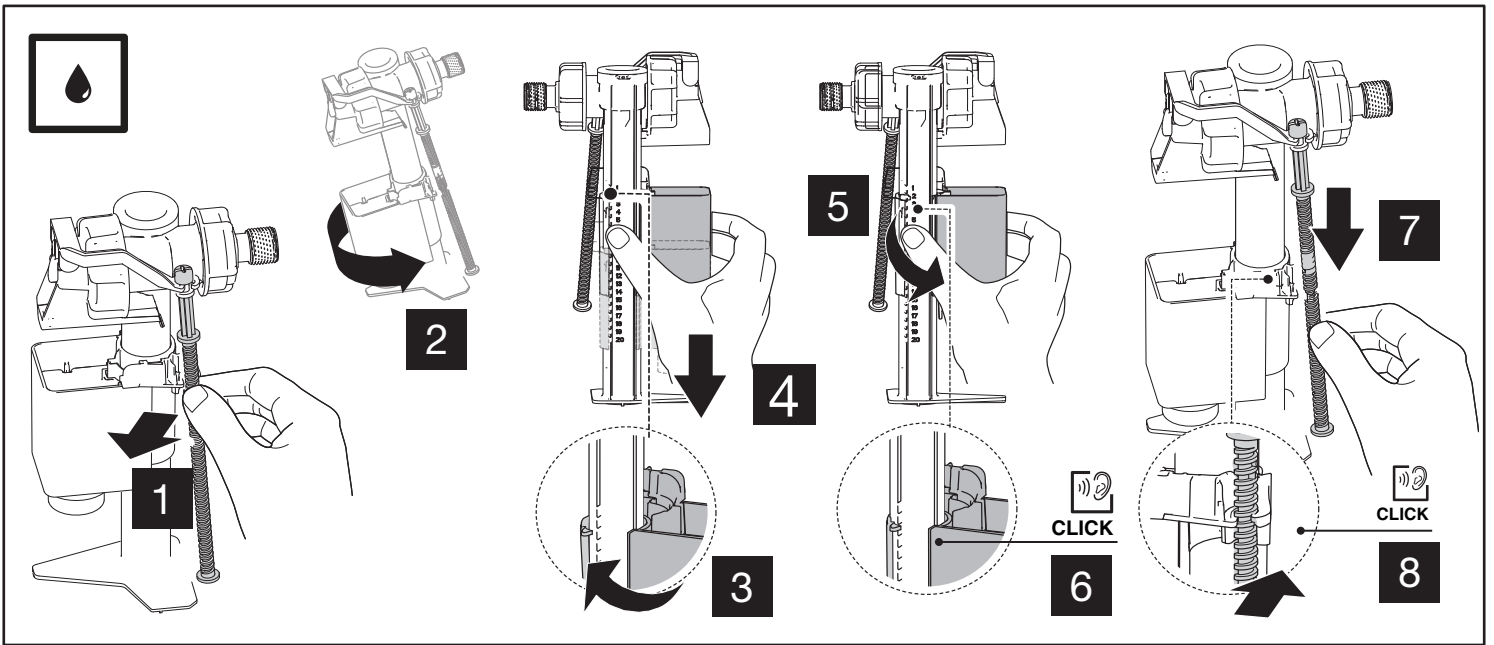
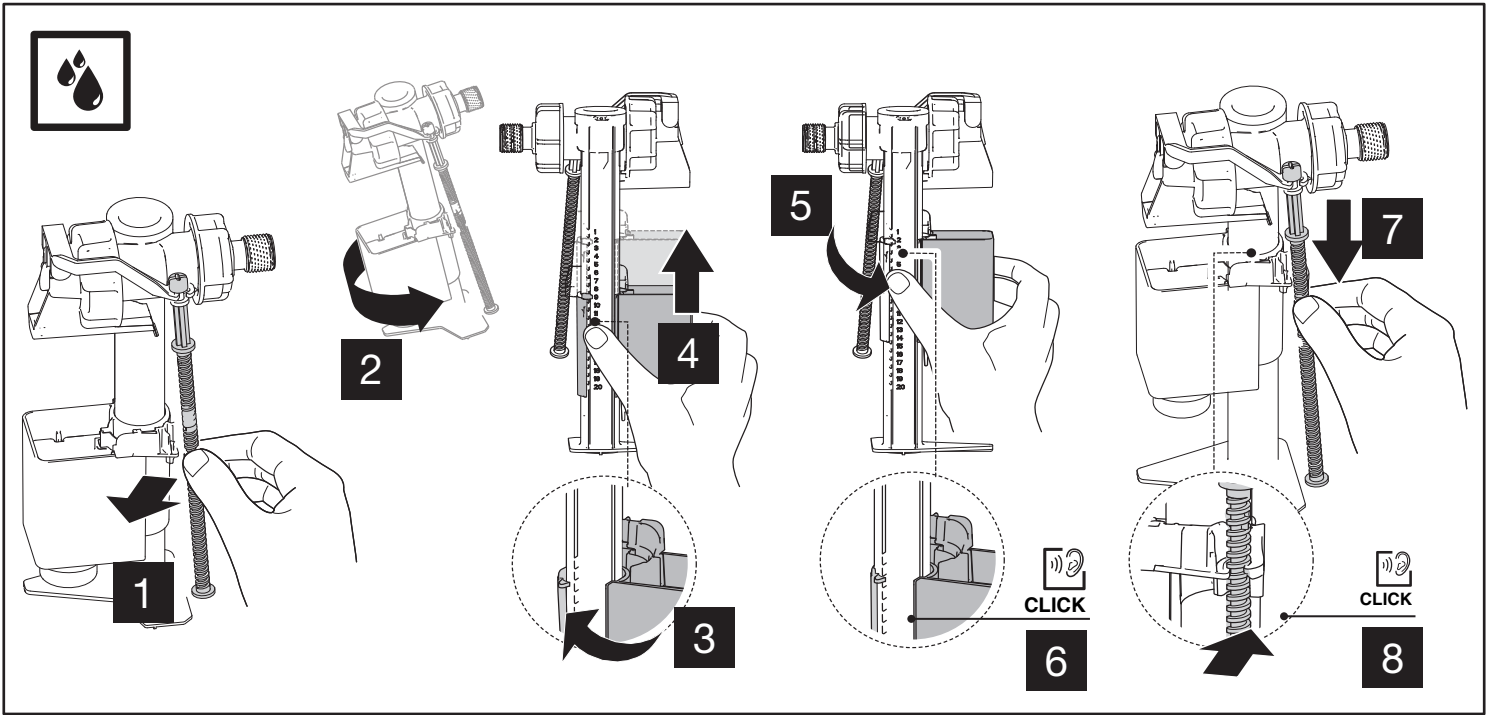
CASSETTA ESTERNA | EXPOSED CISTERN

CASSETTA IN CERAMICA | CERAMIC TANK



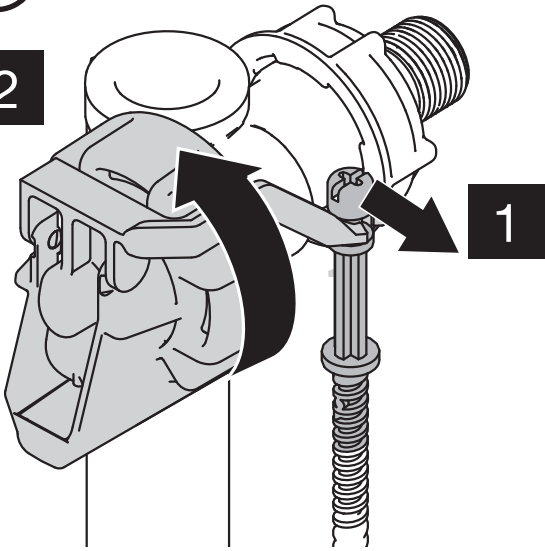
*DURAVIT® DURASYSTEM 115CM		*SIAMP® INGENIO		CASSETTA ESTERNA EXPOSED CISTERN CASSETTA IN CERAMICA CERAMIC TANK	
A	G	A	F	A	F

* Are not OLI registered trademark



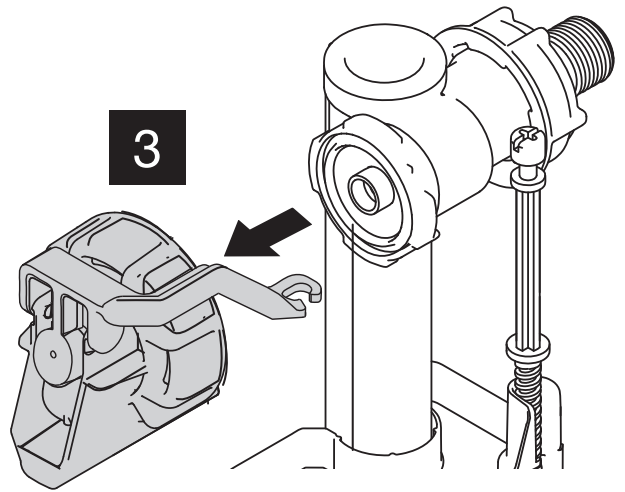


2

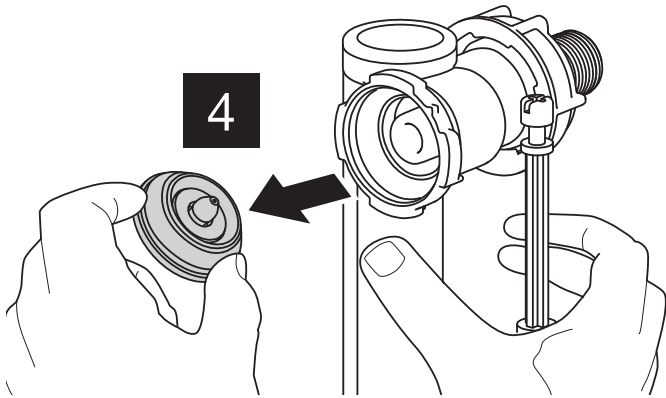


1

3



4



5

