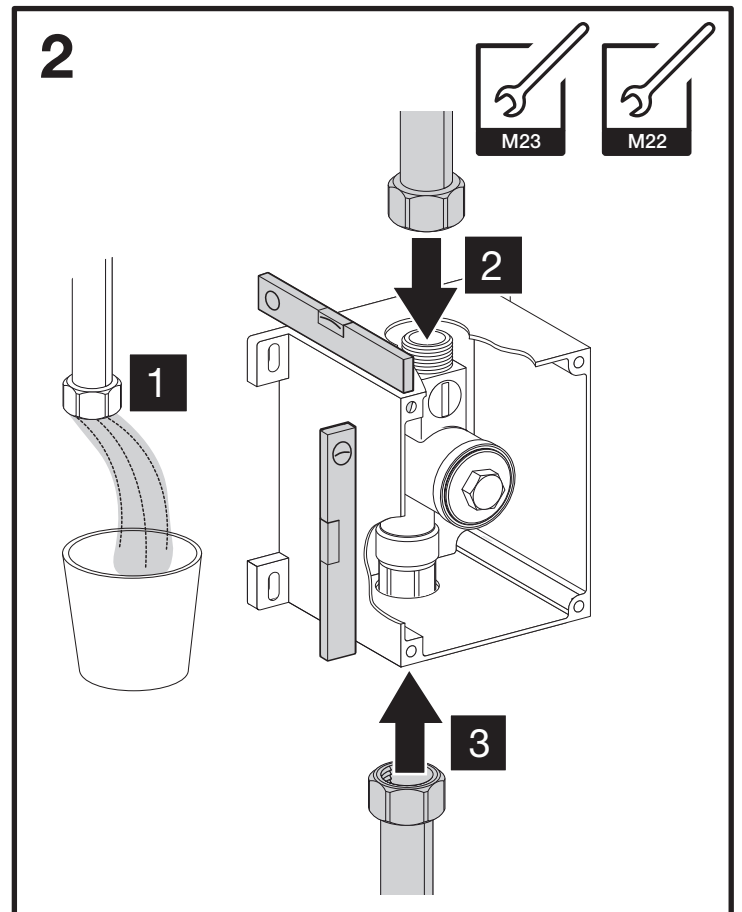
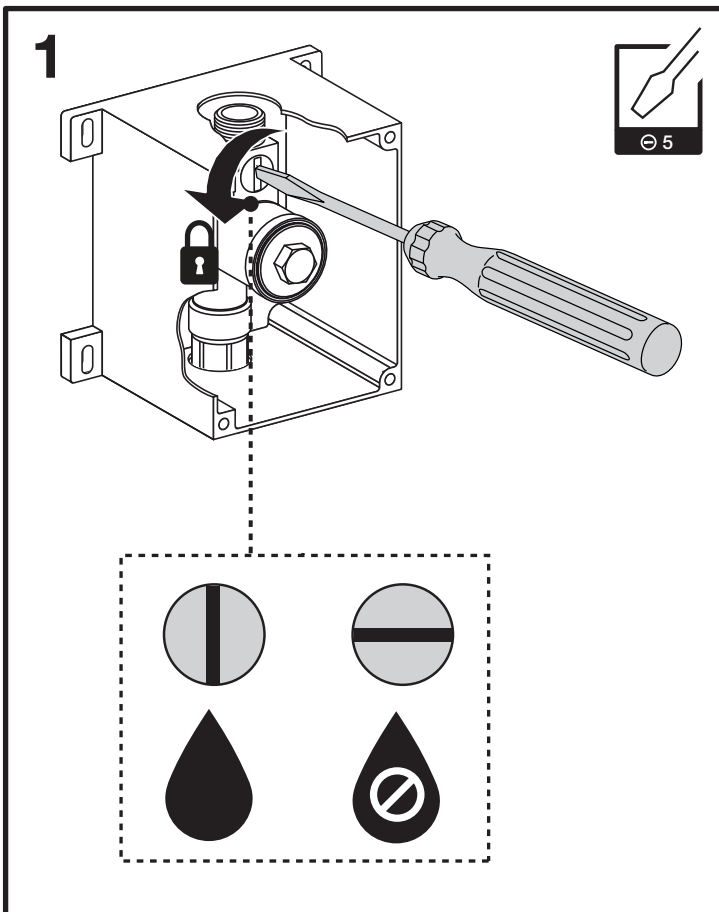
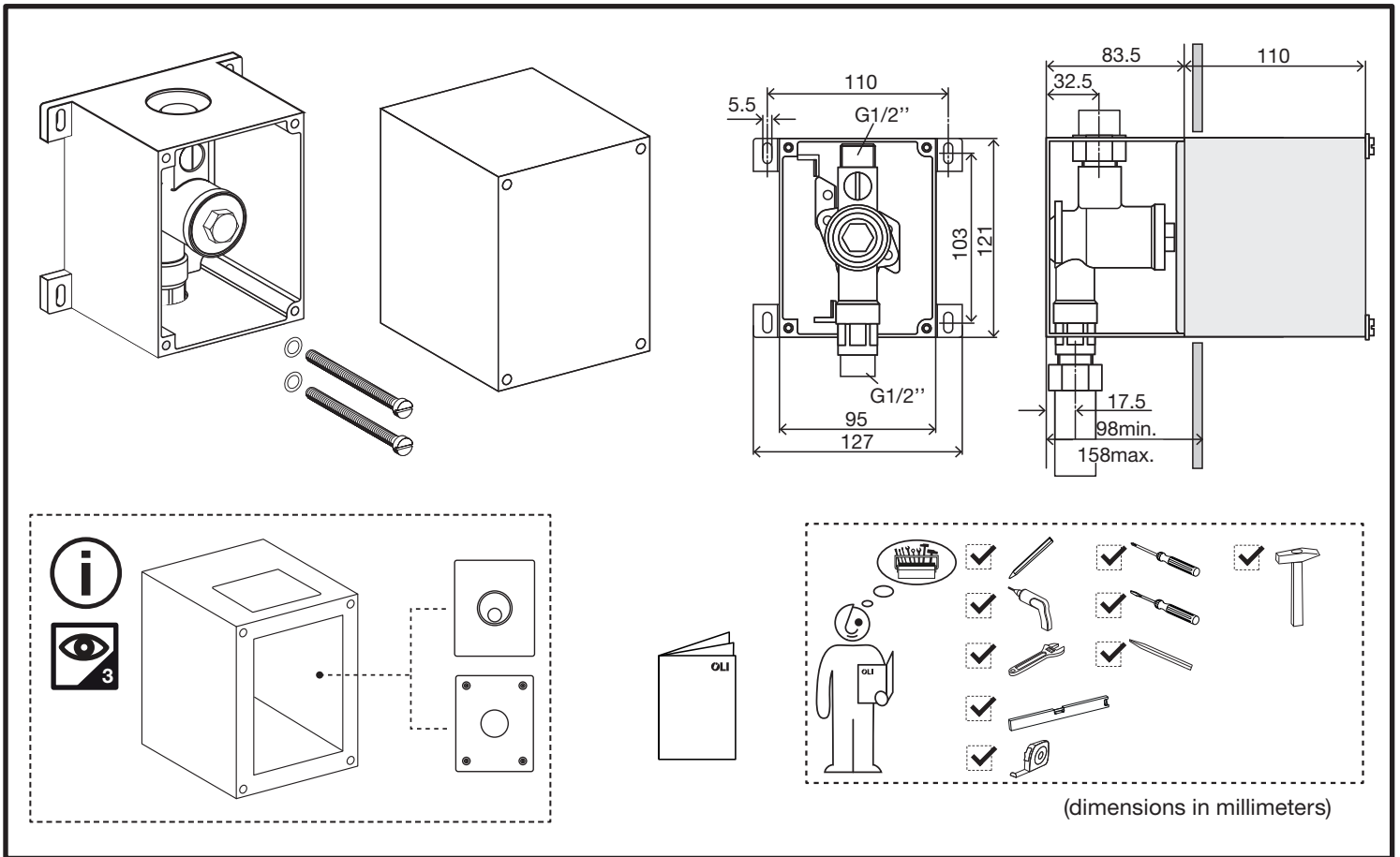
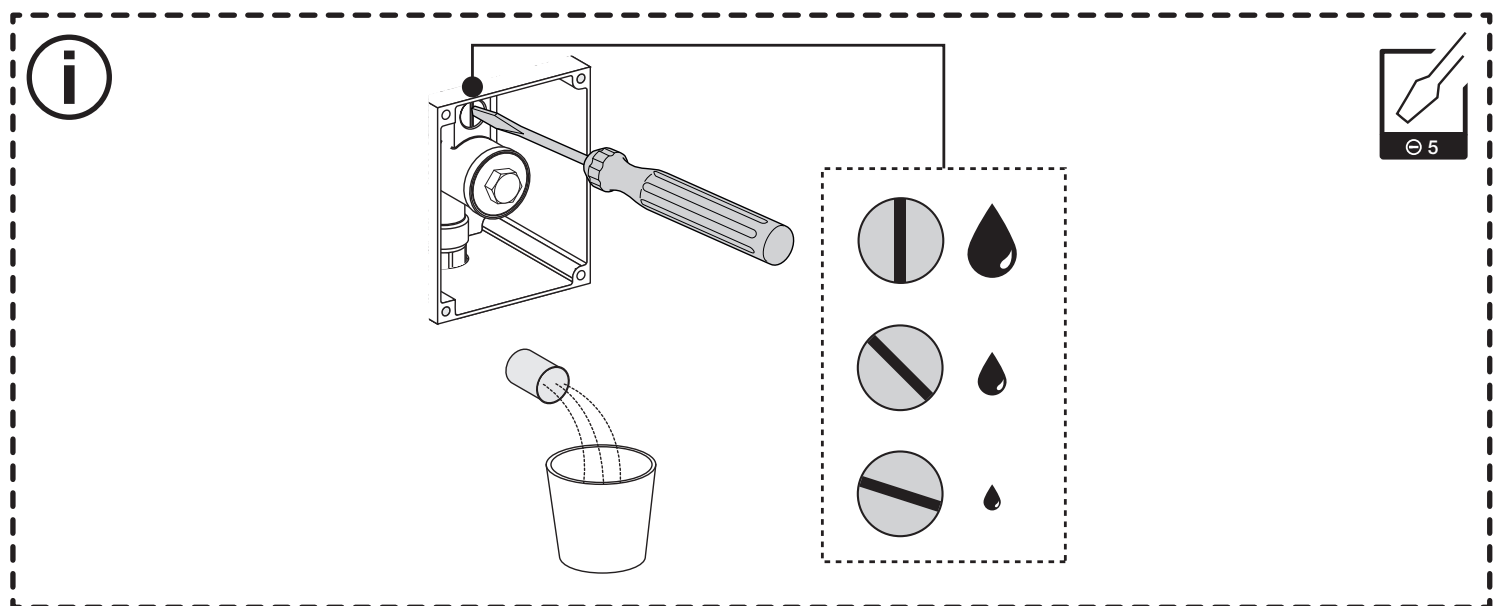
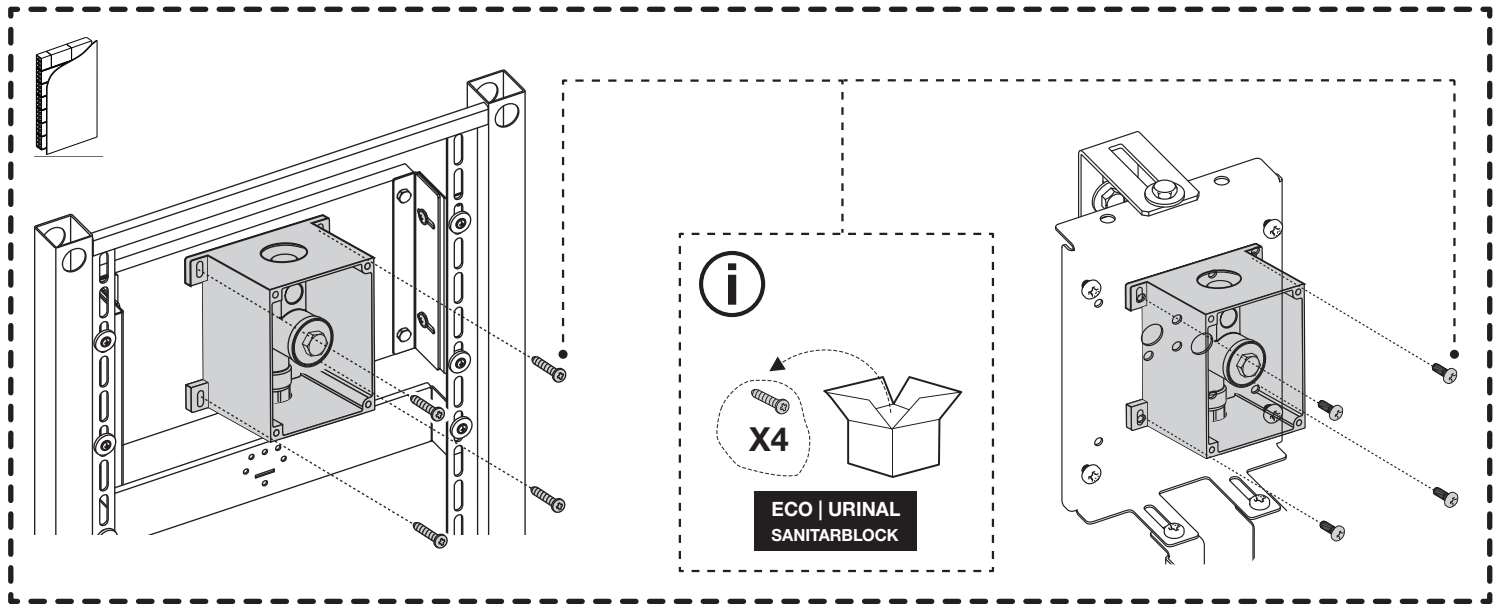
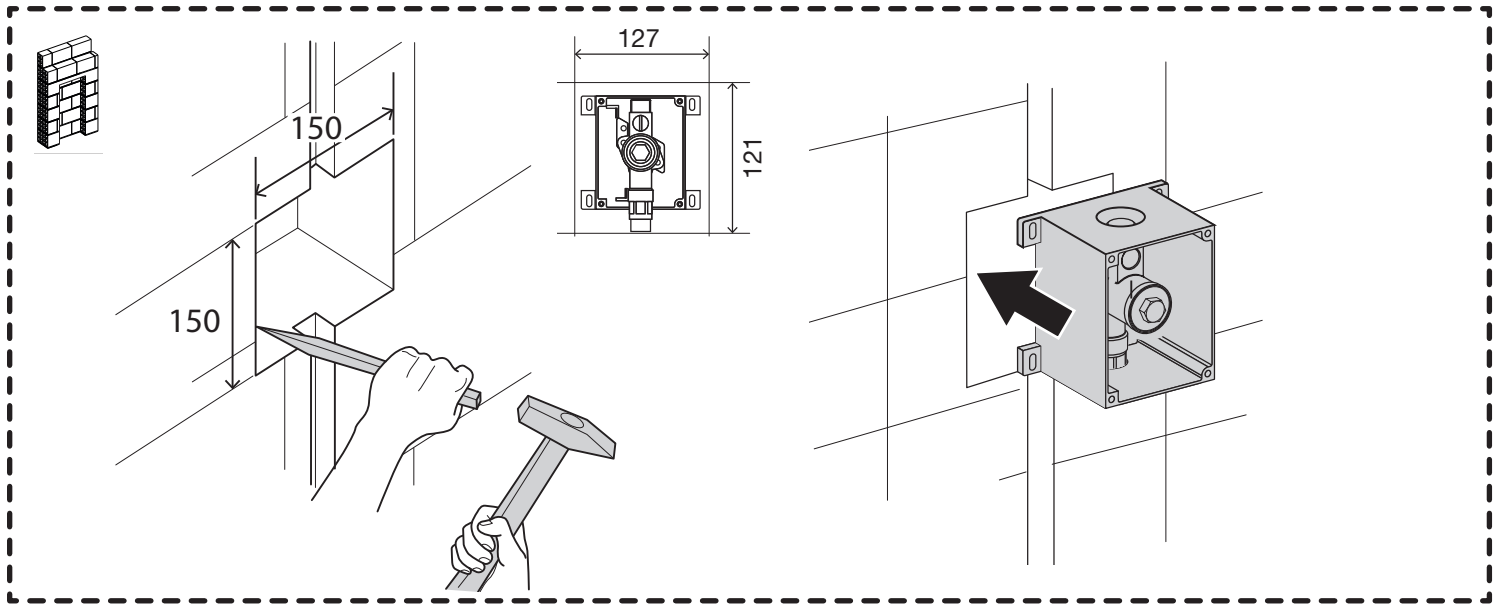


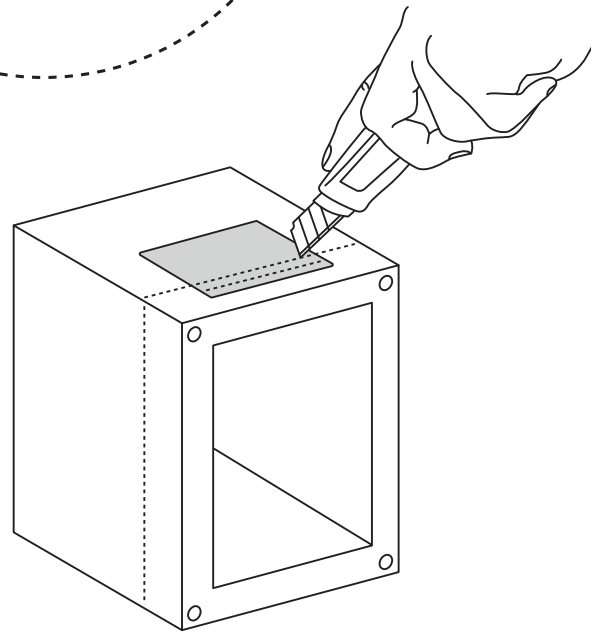
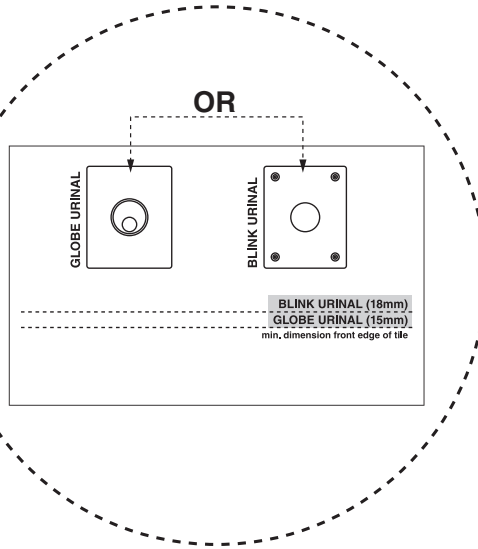
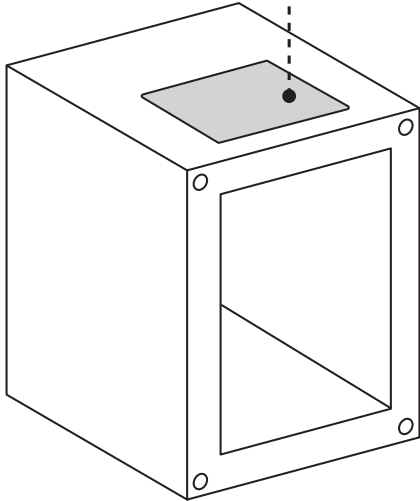
# URINAL CONCEALED

PRE INSTALLATION





3



4

