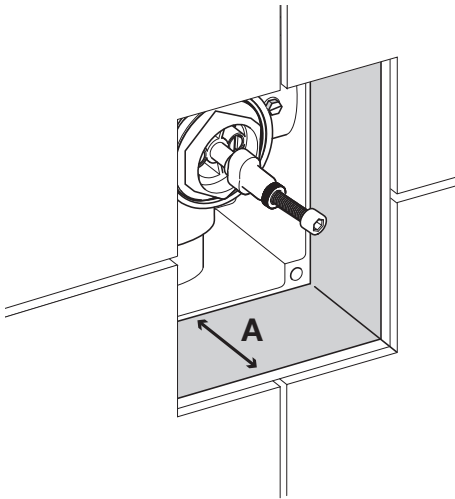
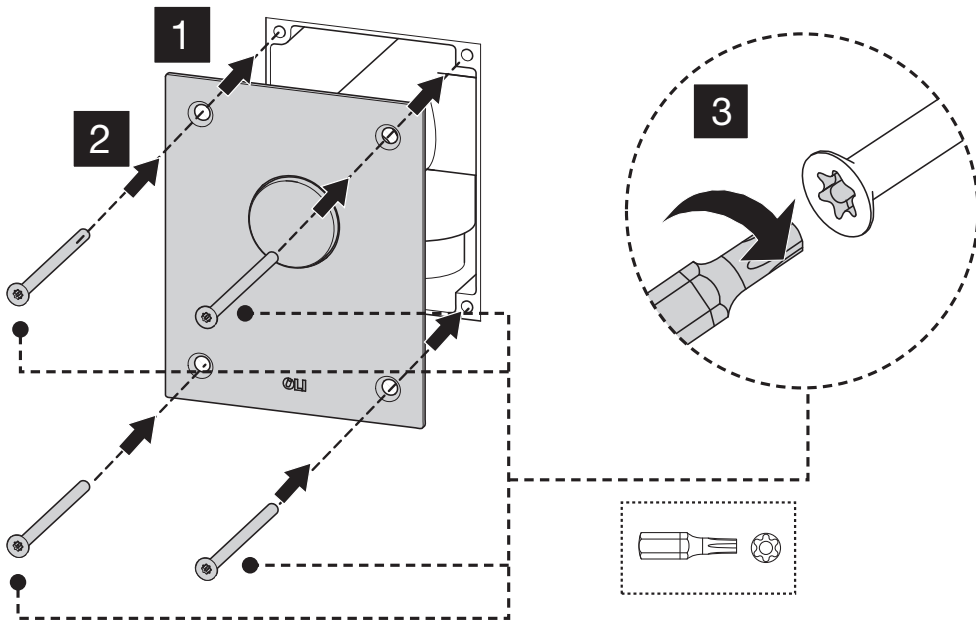


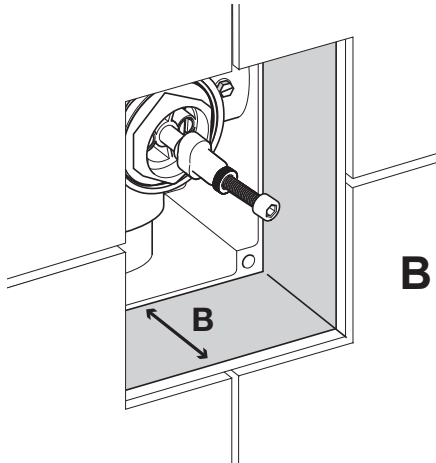
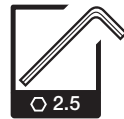
8A



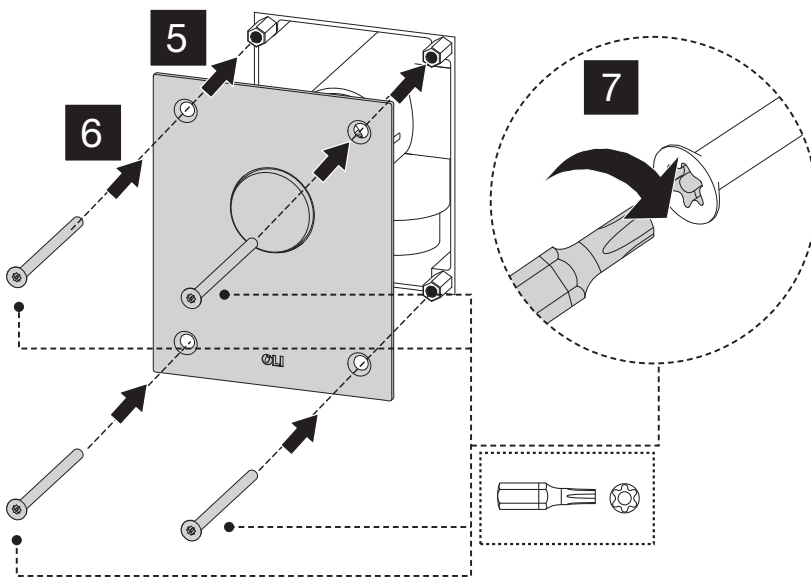
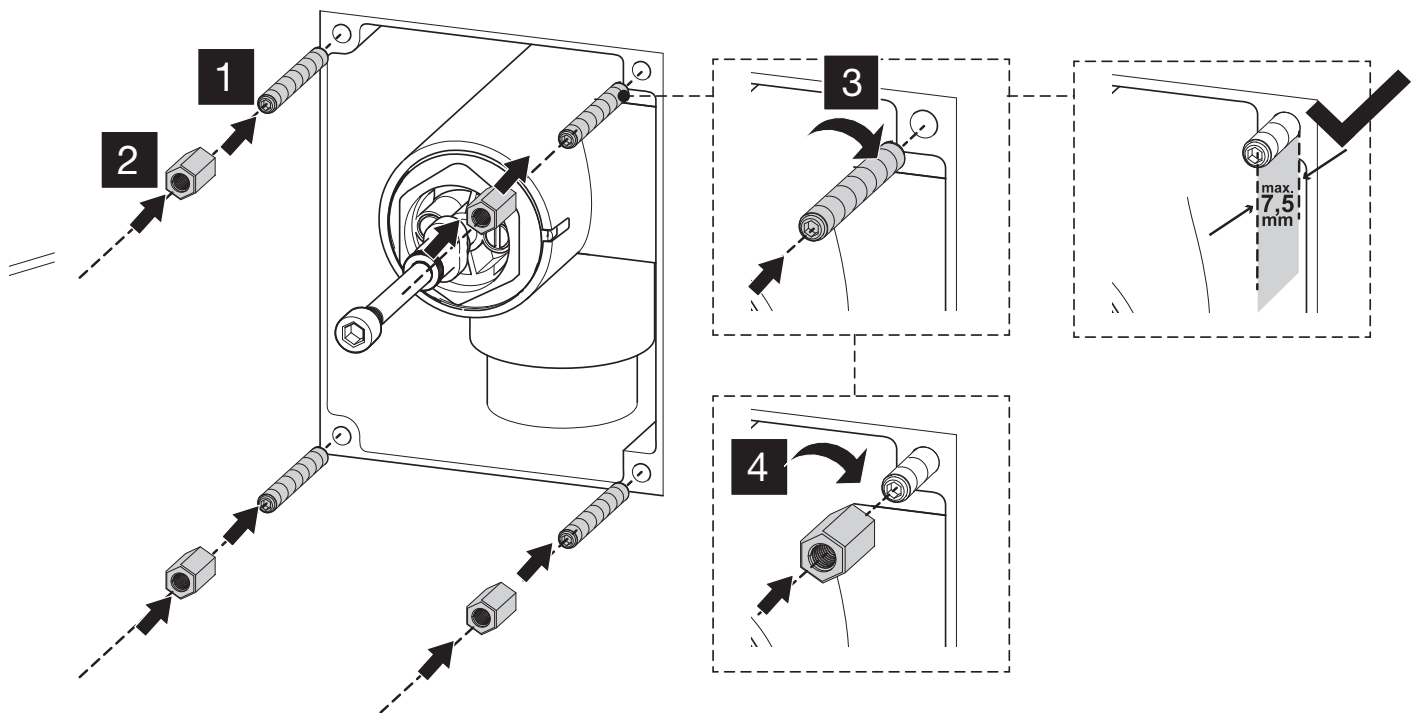
$A \leq 70\text{mm}$



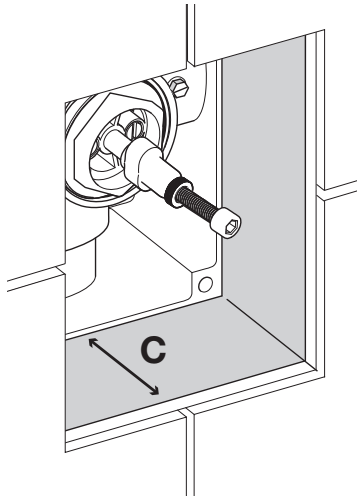
8B



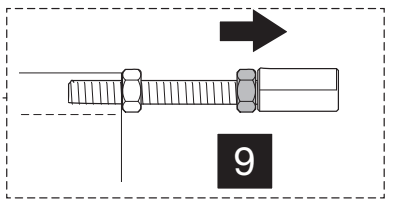
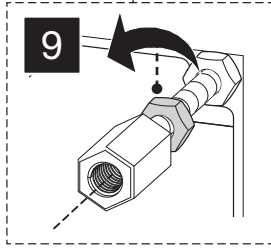
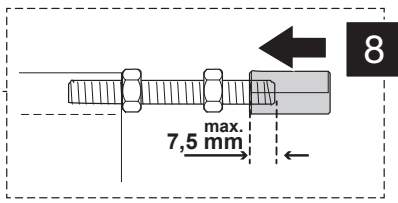
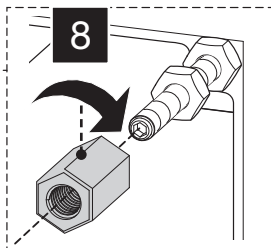
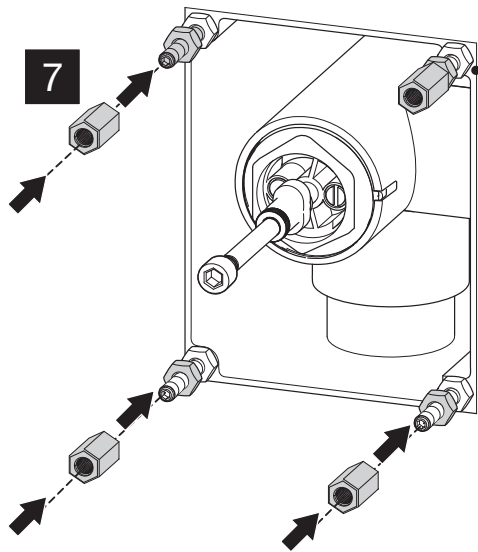
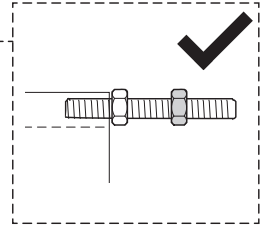
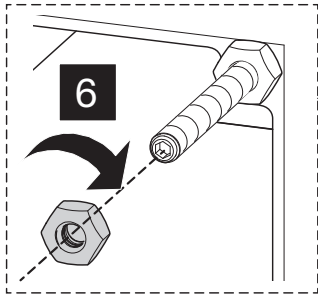
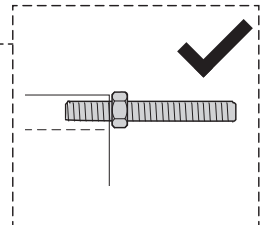
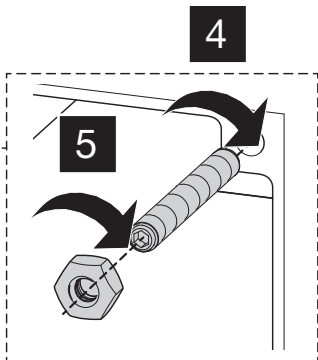
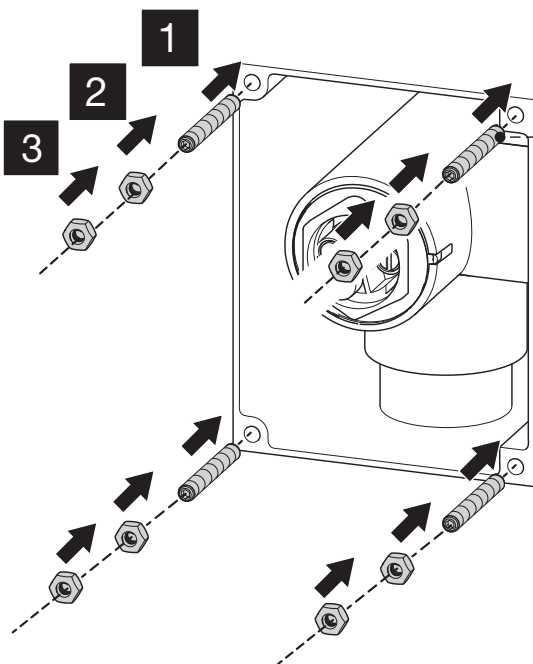
B = 70 - 80mm



8C



C = 80 - 110mm



8C

