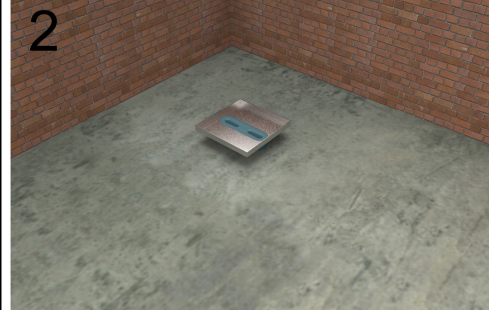
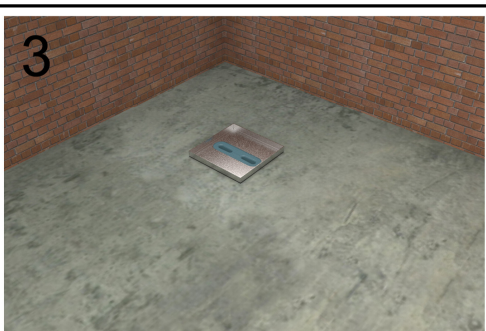




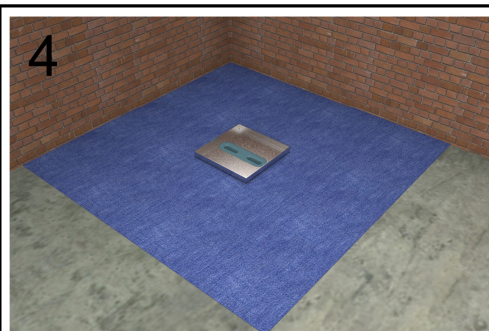
1 Drilling a hole from appropriate place min 75mm diameter.



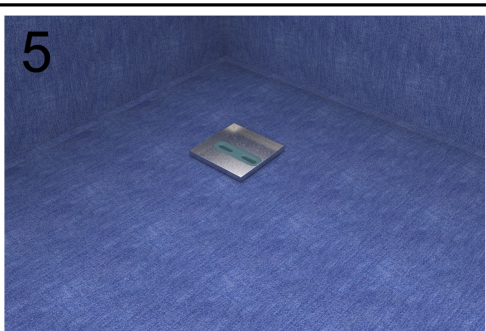
2 Making PVC pipe connection with siphone and adjusting the desired height



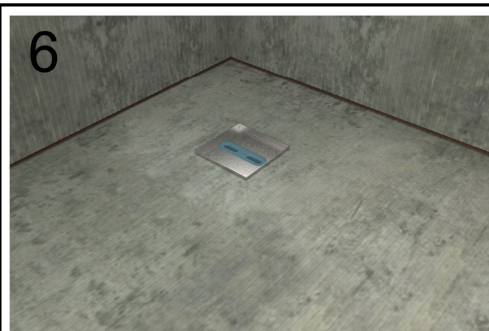
3 Screeding to the floor



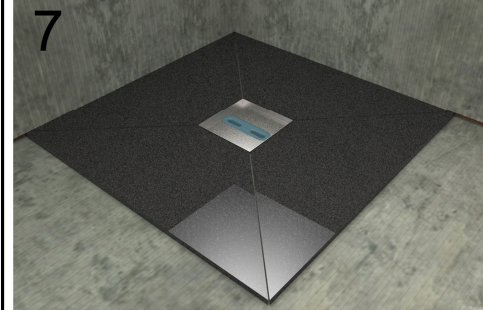
4 Making insulation on the floor after screed



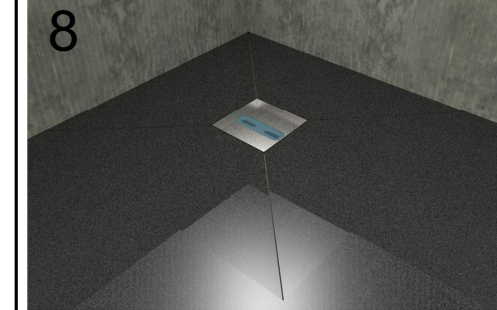
5 Making complete insulation of floors and walls



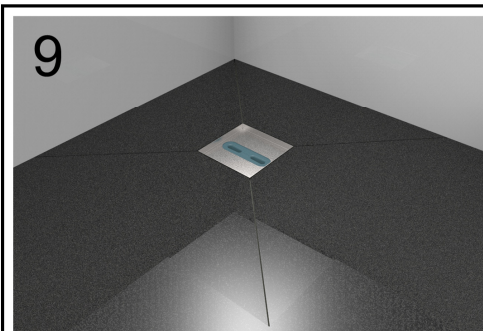
6 Applying ceramic adhesive after the insulation



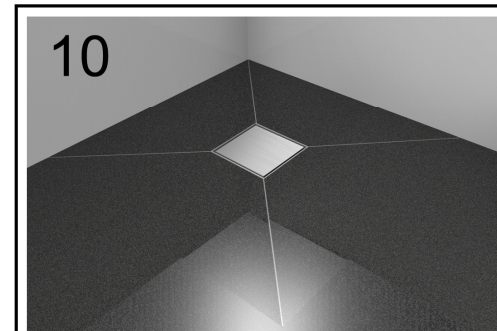
7 Sloping ceramics from four sides



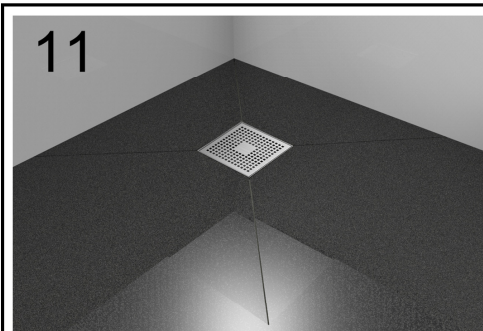
8 General ceramic application to the floor



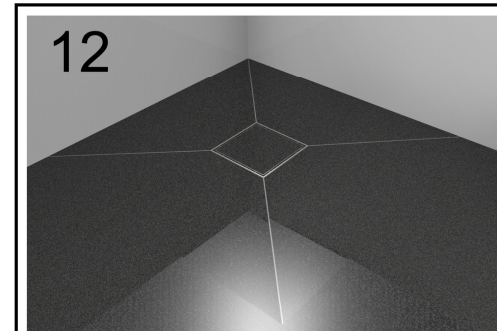
9 Wall ceramic application



10 Plain cover application



11 Design cover application



12 Ceramic cover application