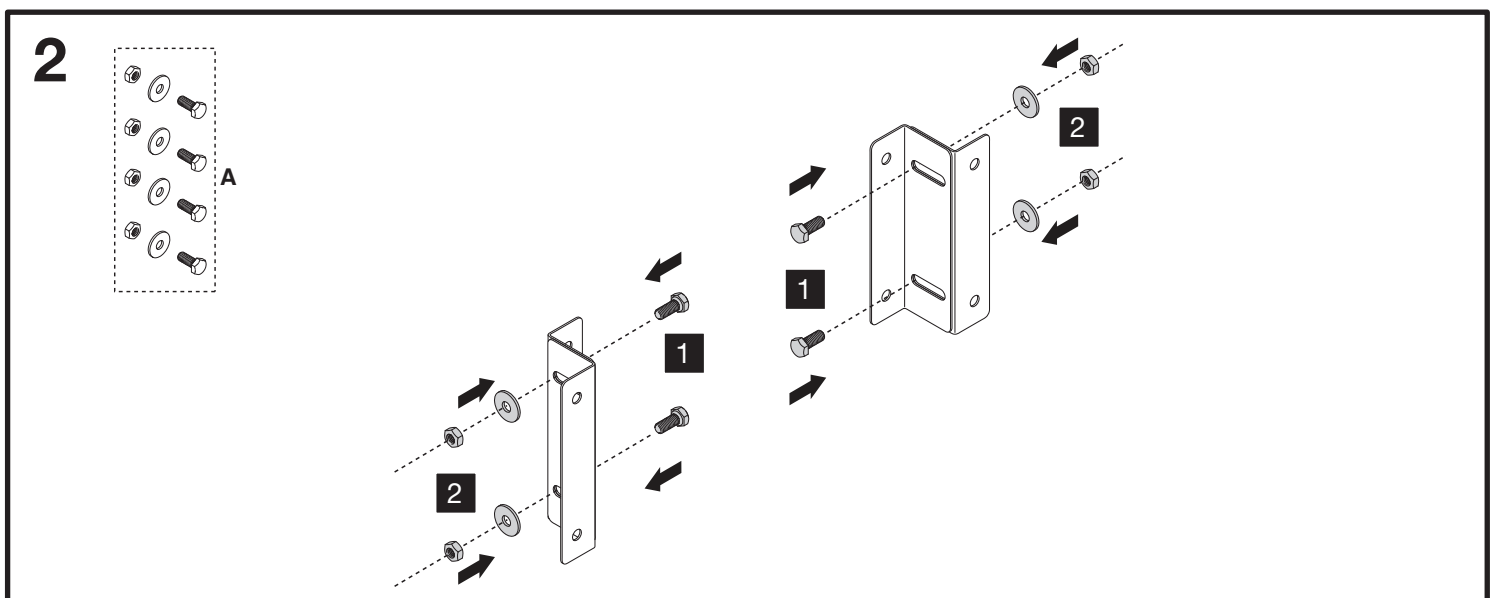
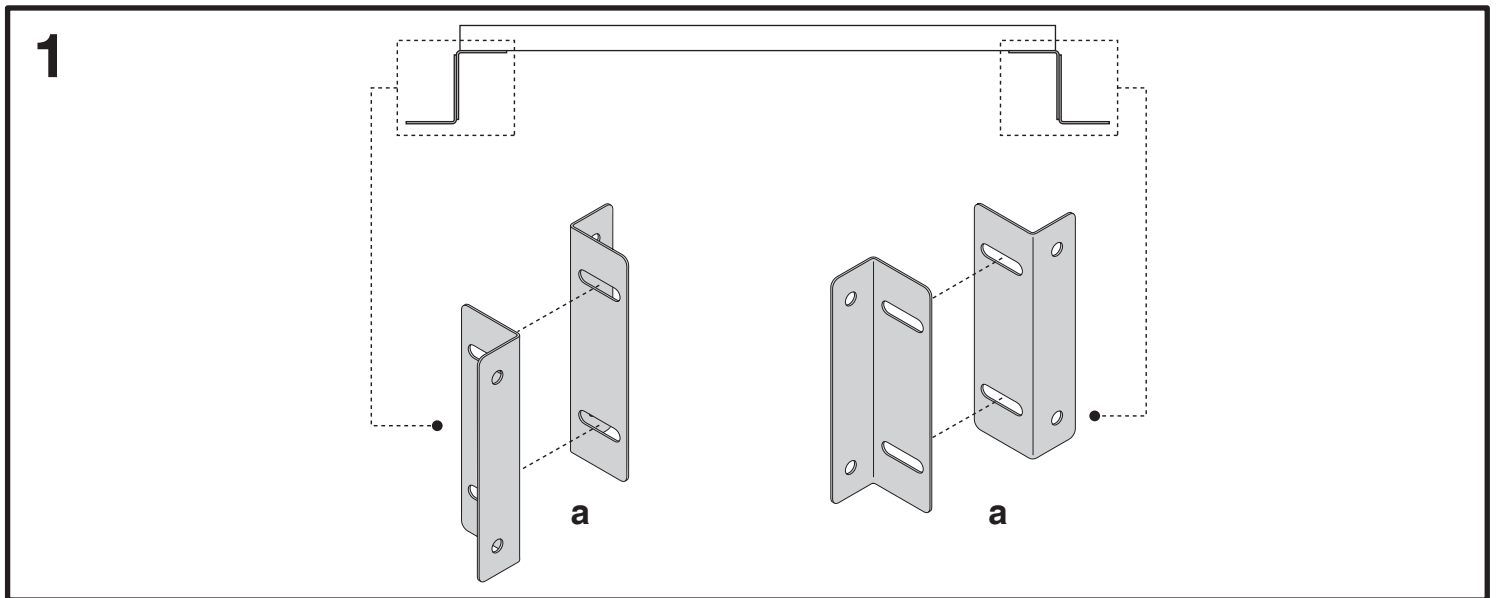
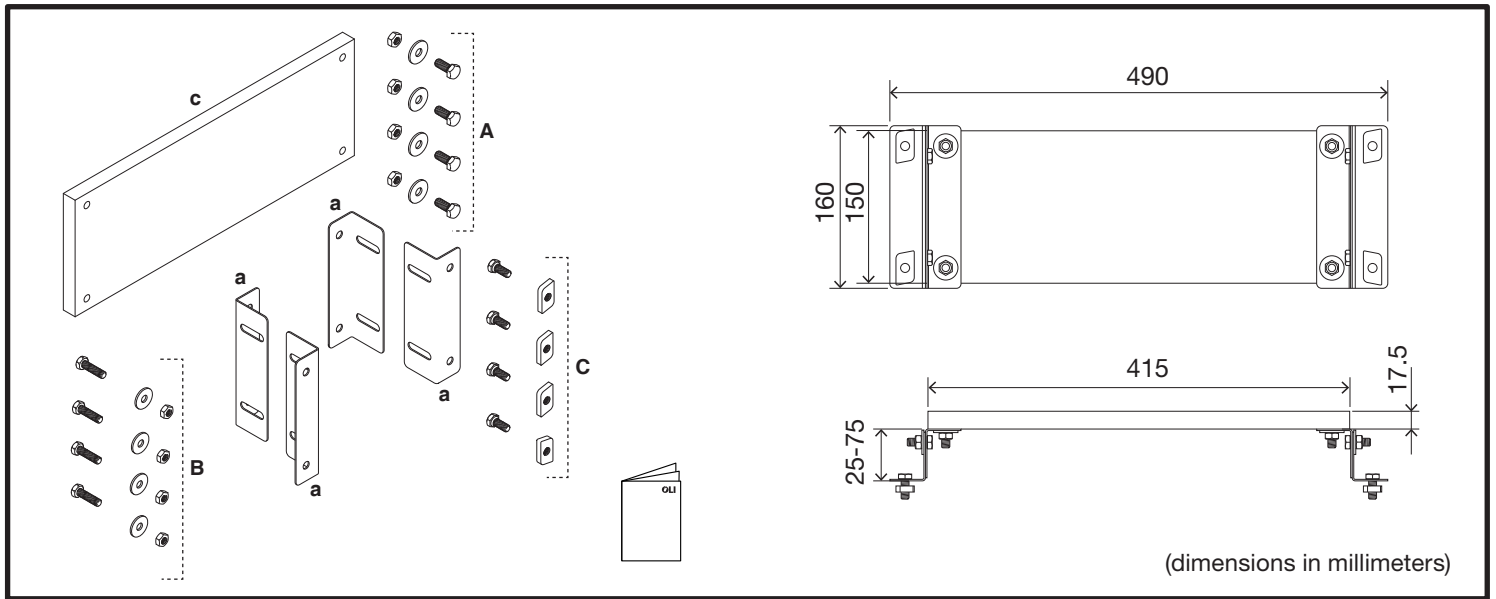
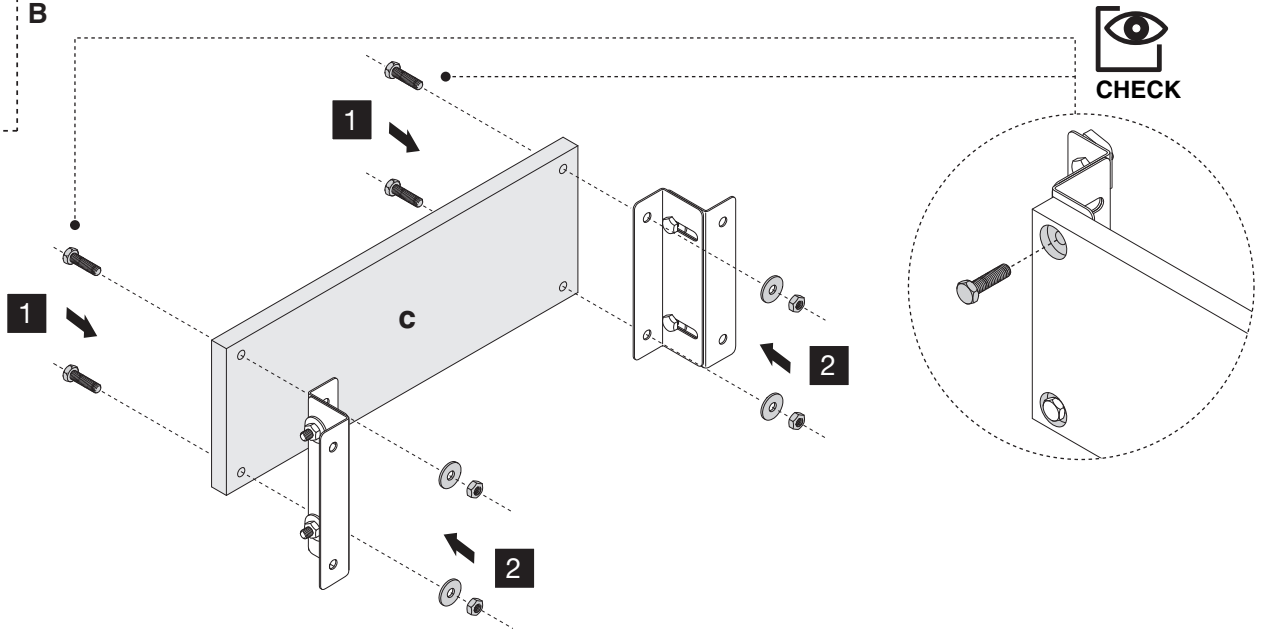
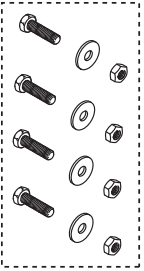


WALL TAP OR CONCEALED

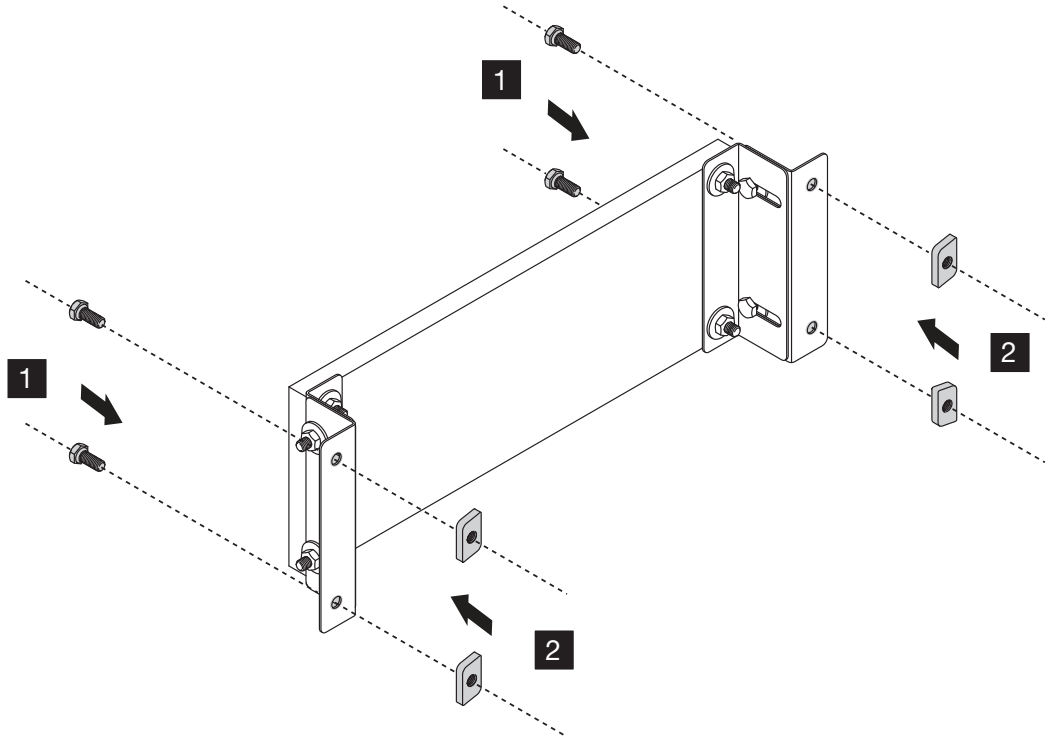
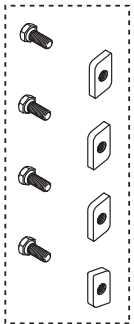
URINAL FLUSH VALVE KIT



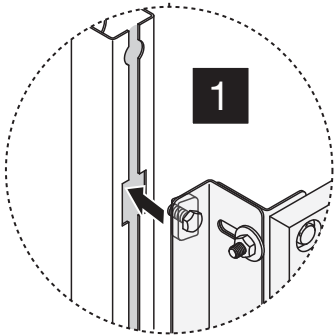
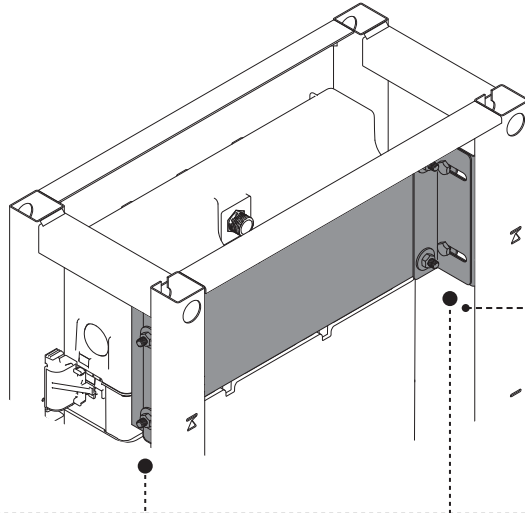
3



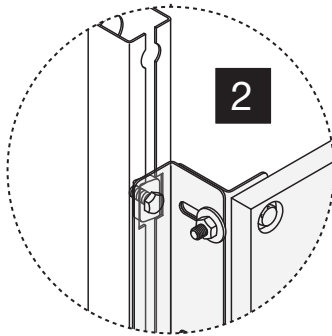
4



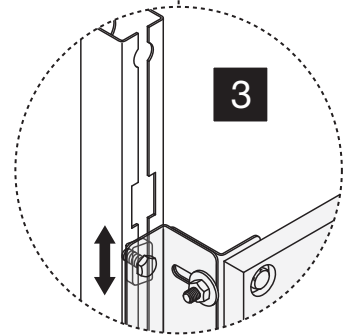
5



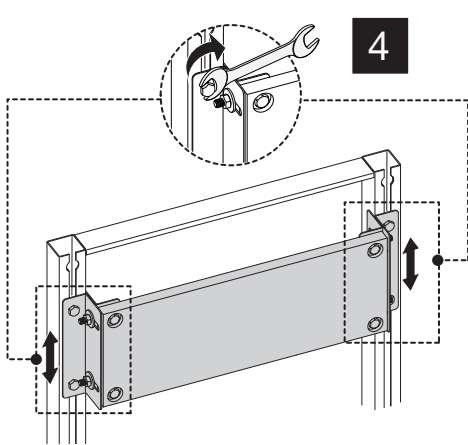
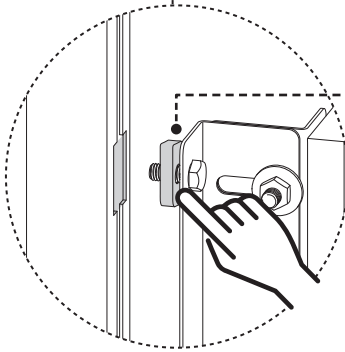
1



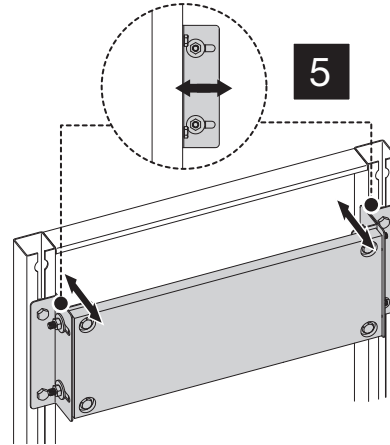
2



3



4



5

