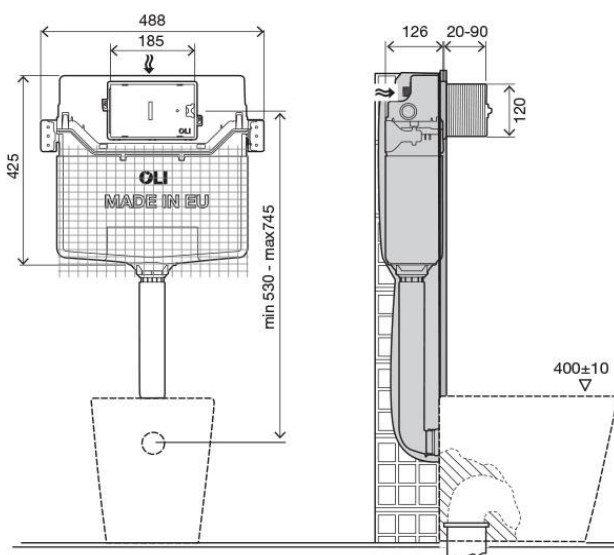


Technical Sheet

OLI120 Plus Mechanic



Product Identification

885049

- OLI120 Plus Mechanic

Definition and Application

- Flush cistern to be installed inside the wall and used in combination with floor standing sanitary applications
- Compatible with all floor mounted WC pans

Technical Features

- Dual flush in-wall cistern compatible with either dual or single flush actuators 6/3l (adjustable to 4/2l or 7/3l).
- 126mm thickness.
- Mechanic actuation.
- Compatible with all floor mounted toilets.
- Solid wall installation.
- Equipped with Nano Plus Inlet Valve, with delayed refilling (saves up to 9 litres of water per day) and silent category Class I.
- Working pressure from 0,1 to 16 bar.
- Resistance to atmospheric humidity (Hr <90%).
- Polypropylene (PP) cistern highly resistant and inalterable to thermal stress.
- CE EN 14055 marking.
- Upon request some versions compliant with: BELGAQUA/NF/KIWA standards.
- Supplied with anti-condensation lining.
- Net for easier mortar adhesion

Accessories

- 1 Flush pipe $\varnothing 55 \times 360$
- 1 Seal for flush pipe $\varnothing 45$

Millimetres measures

Technical Sheet

OLI120 Plus Mechanic



- 1 Protective box
- 1 G ½" stop valve
- 1 Protection sponge for the stop valve
- 2 Metal plates for fixation
- 1 WC connection pipe ø45 x 180

Warranty

- Ten (10) years warranty according to the general selling terms, starting from the purchase date of the product.
- If the product is not correctly installed the warranty is not valid

Observations

- There are available similar products. For more information please consult our Sanitary Installation Systems catalogue or our site www.oli-world.com