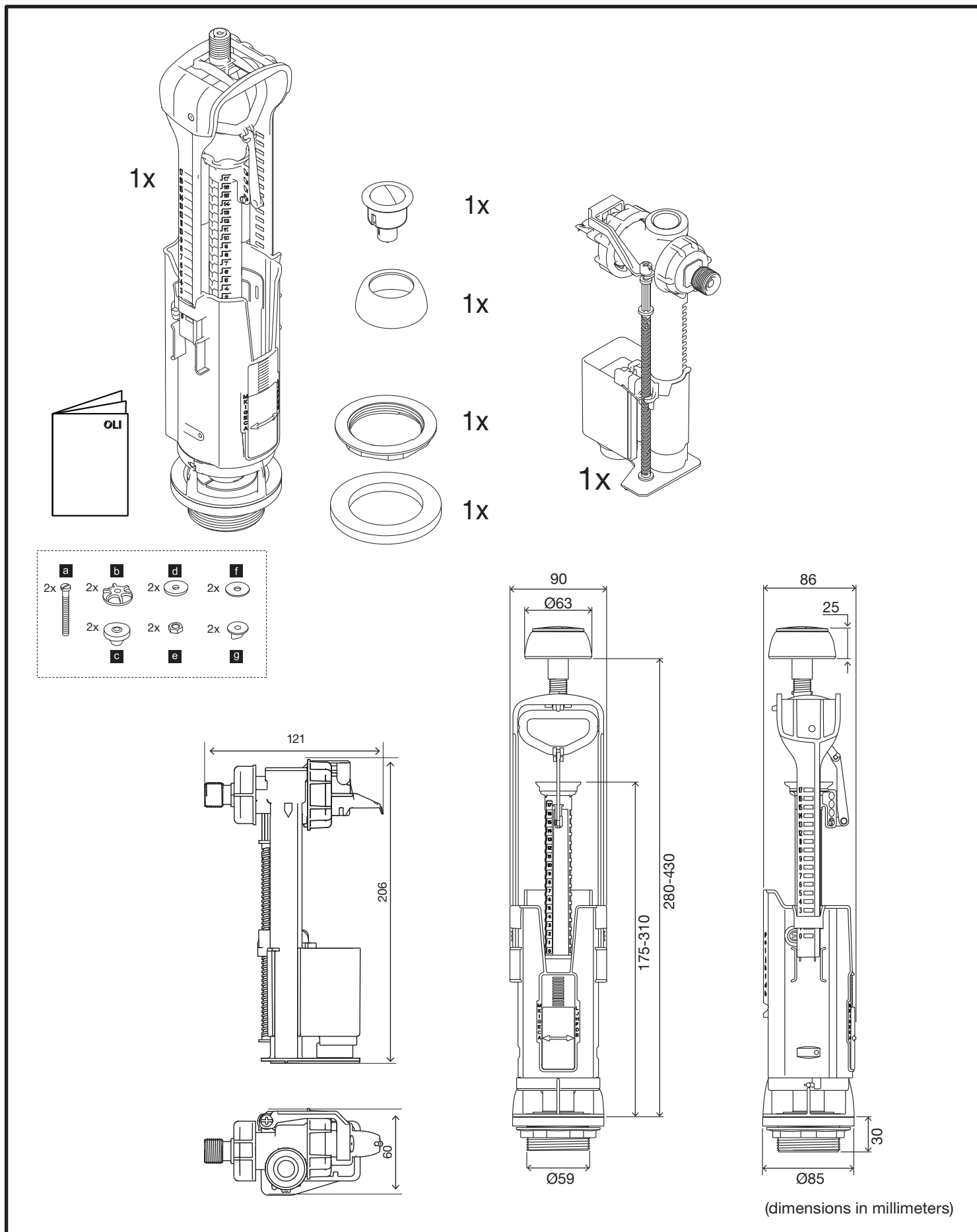
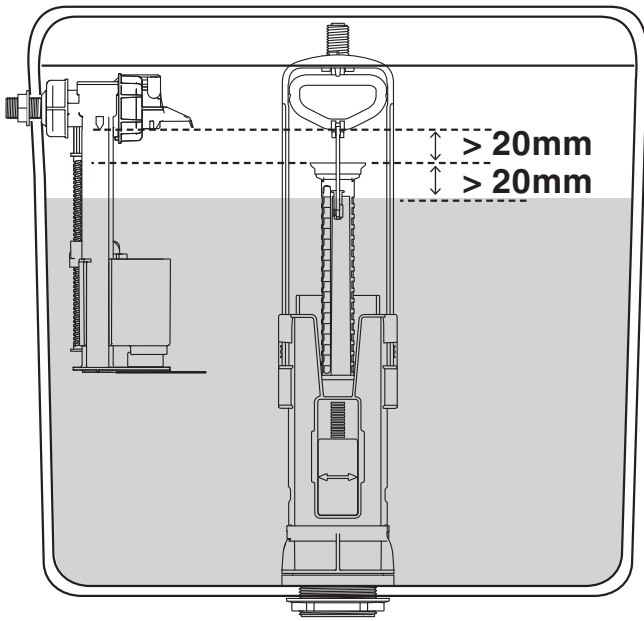


# BETA + NANO PLUS

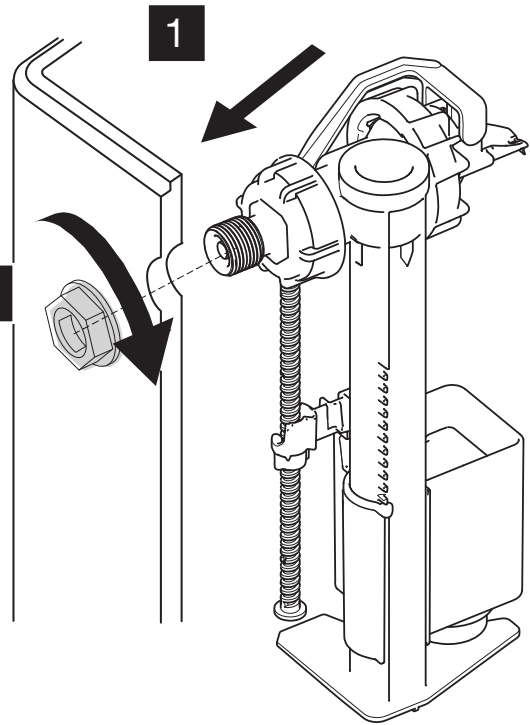
DUAL FLUSH MECHANISM KIT, LATERAL CONNECTION



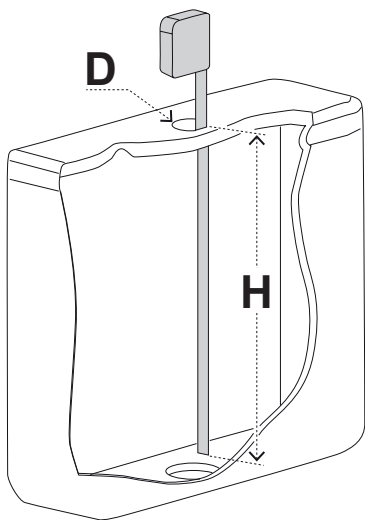
**i**



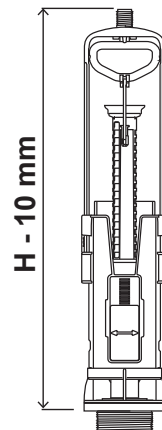
**1**



**2**

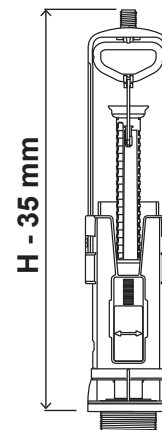
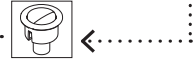


**D = Ø20 - Ø60**

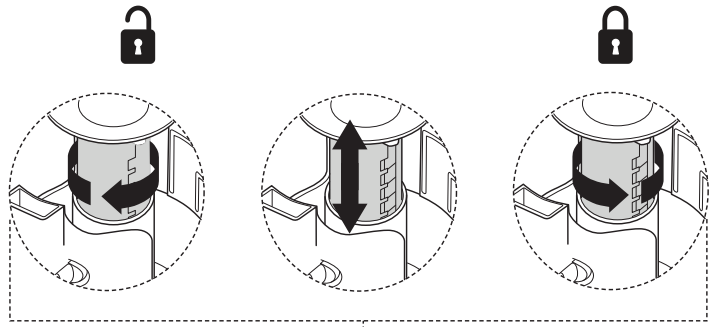
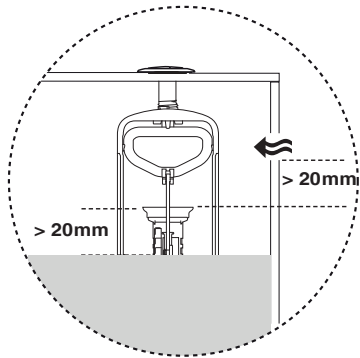
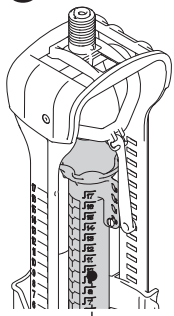


**B**

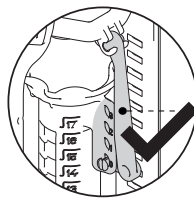
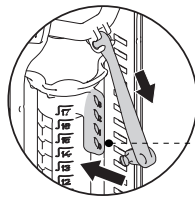
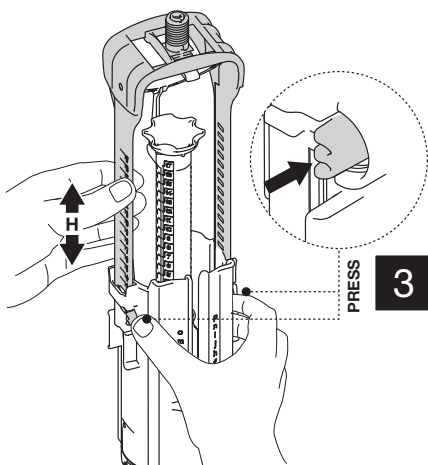
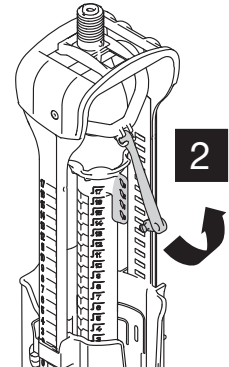
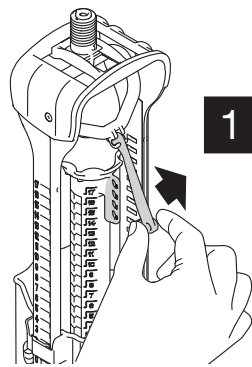
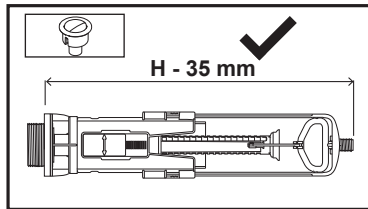
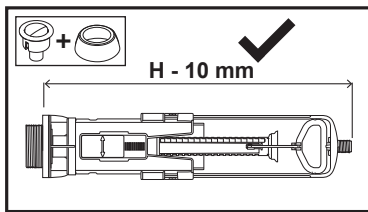
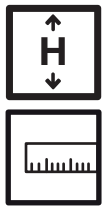
**D = Ø38 - Ø45**



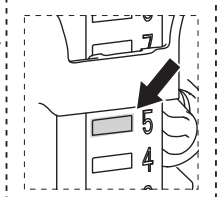
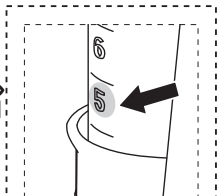
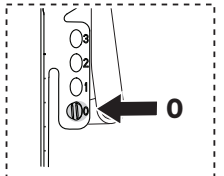
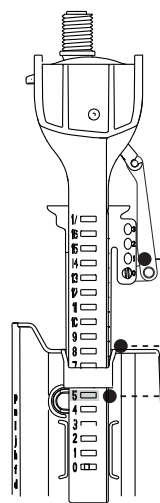
3

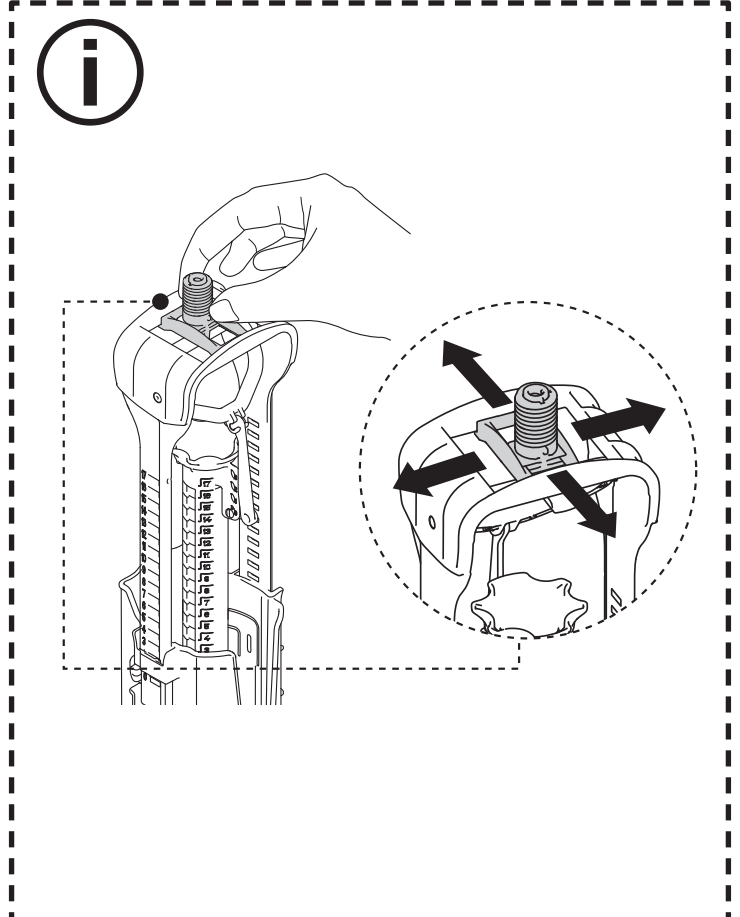
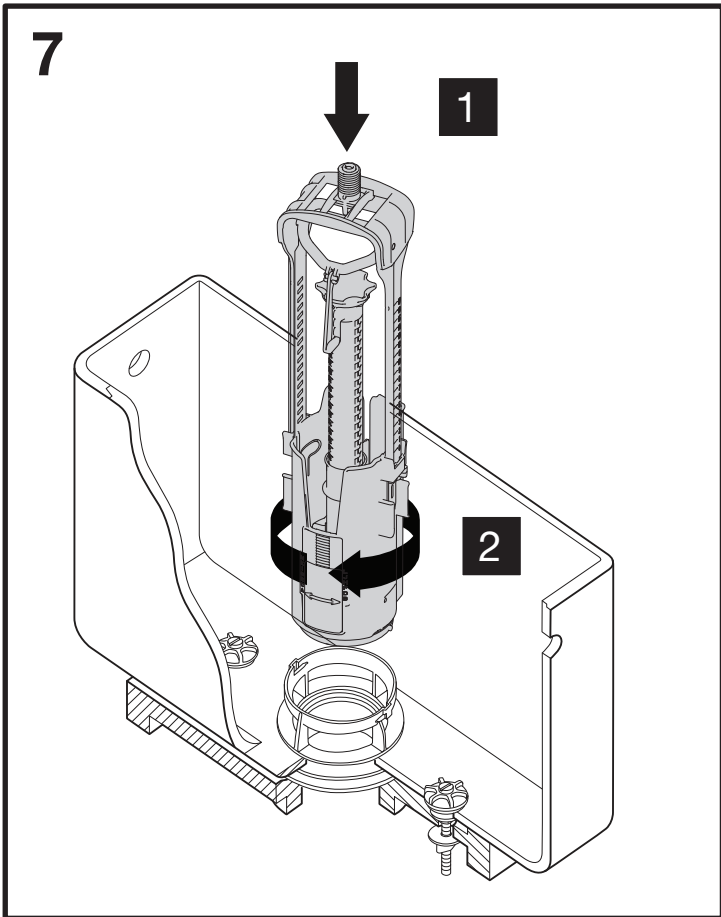
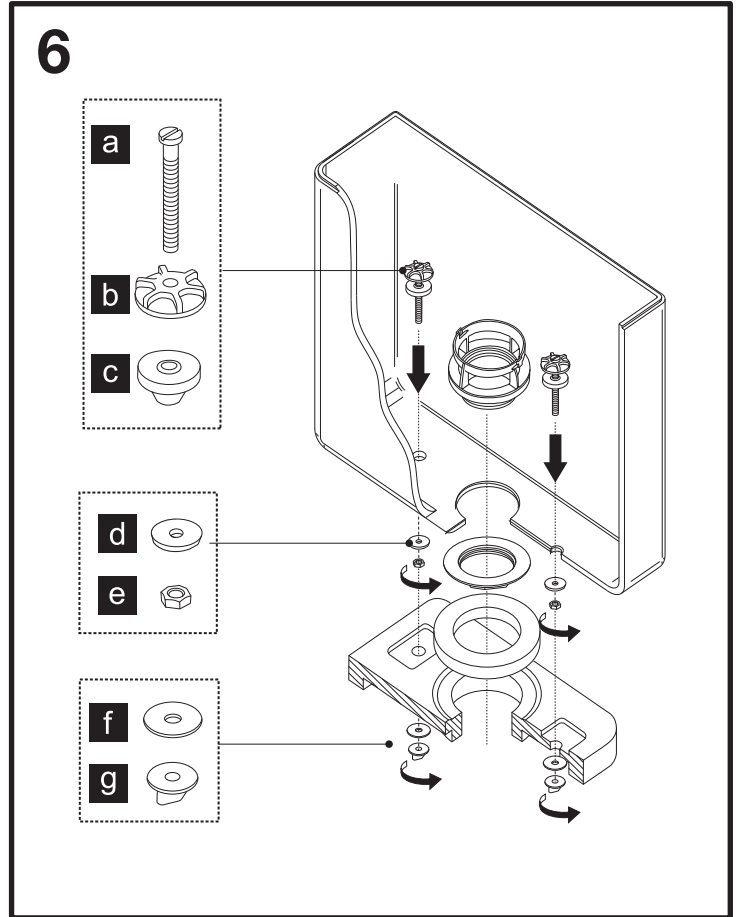
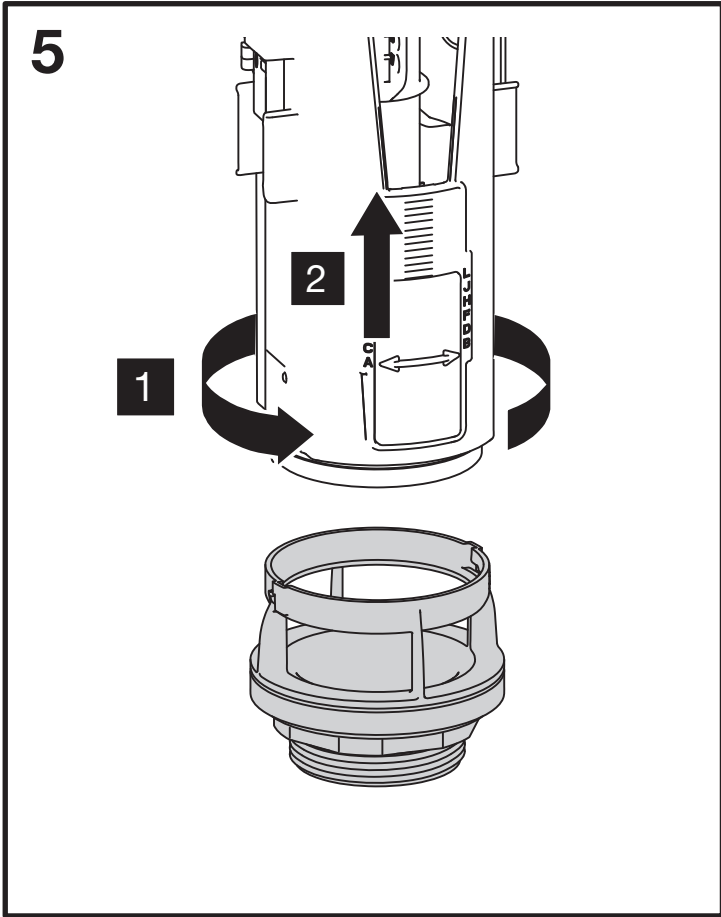


4

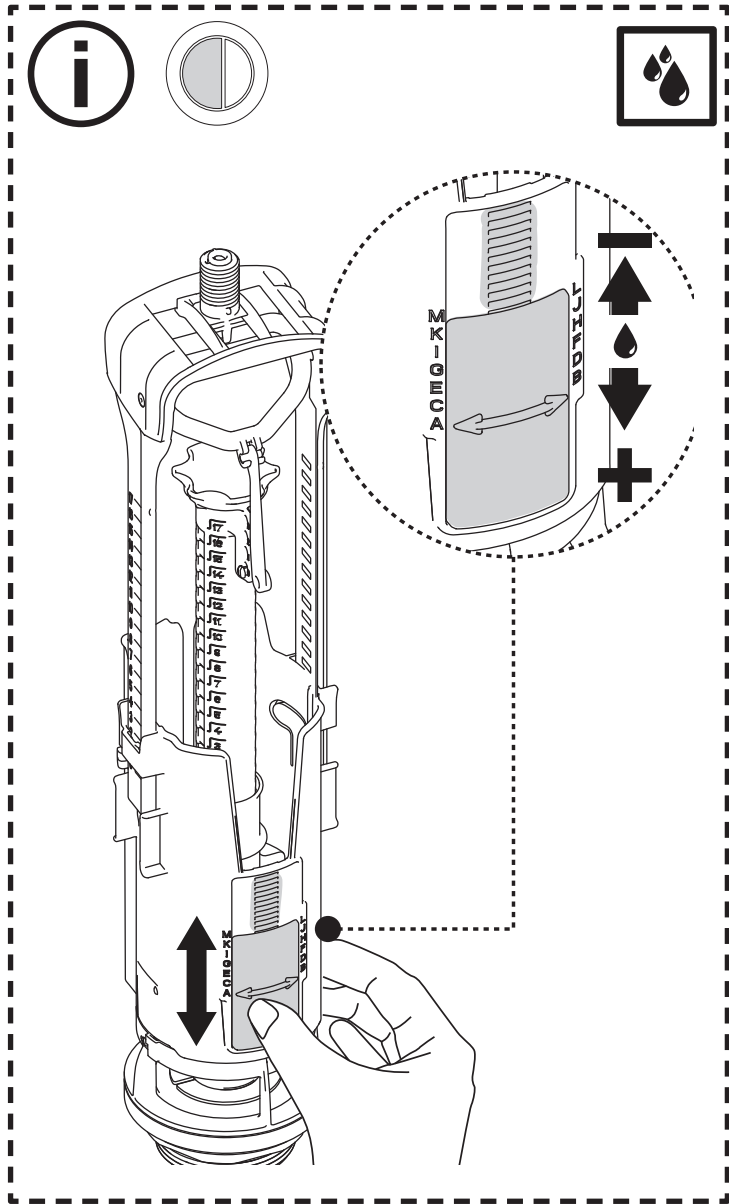
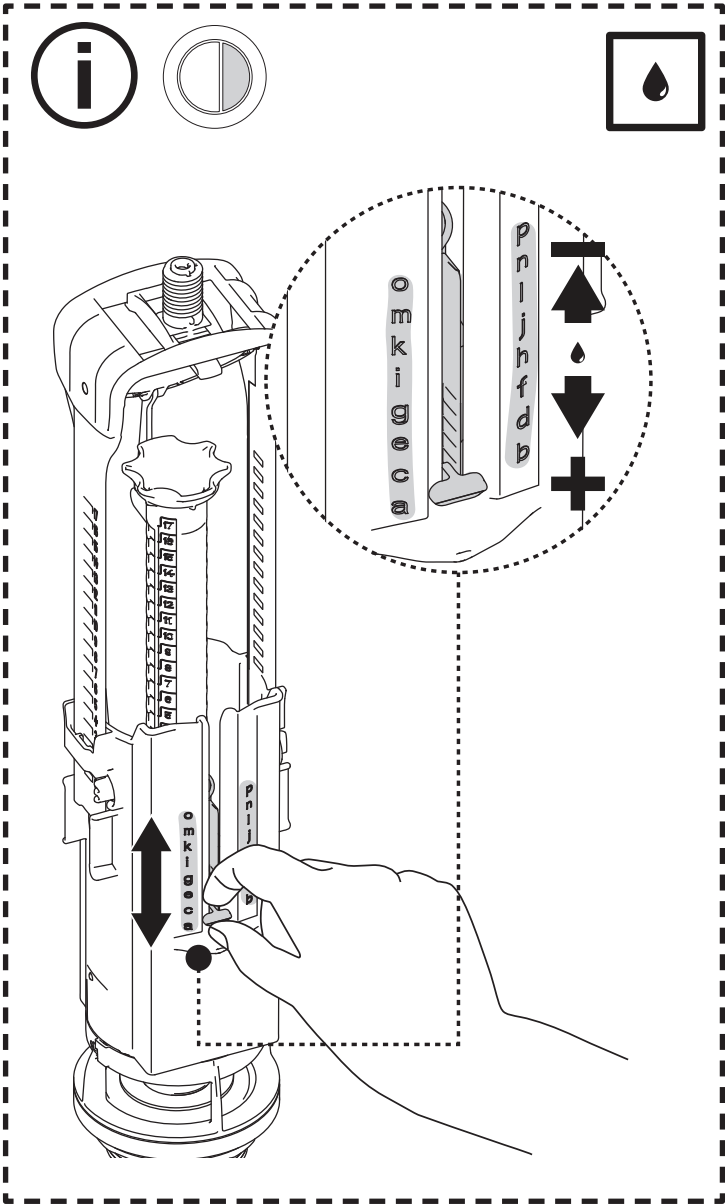
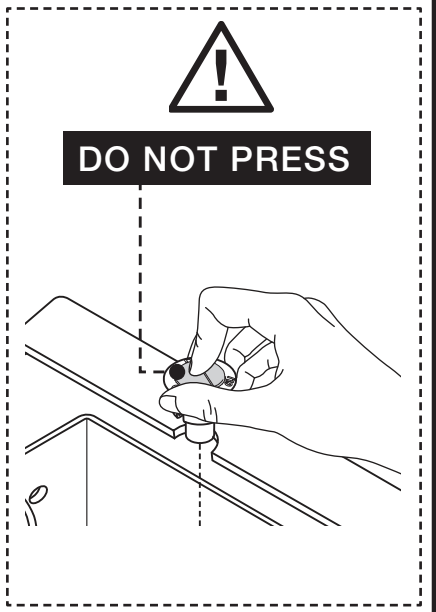
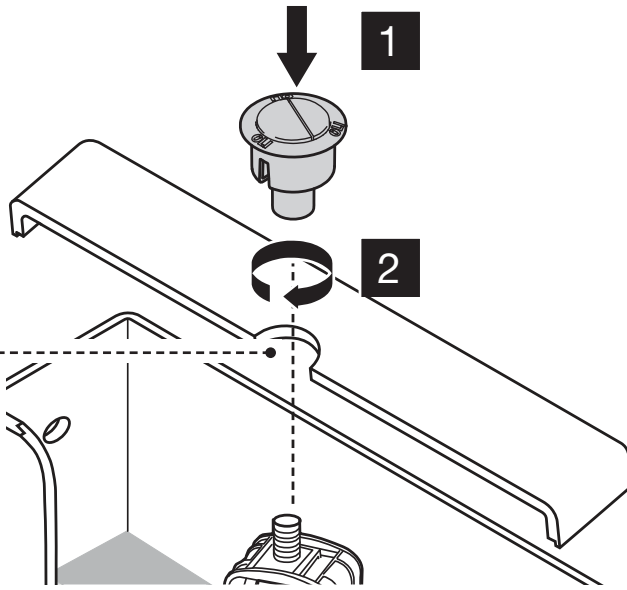
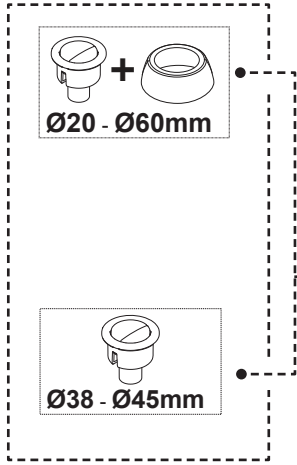


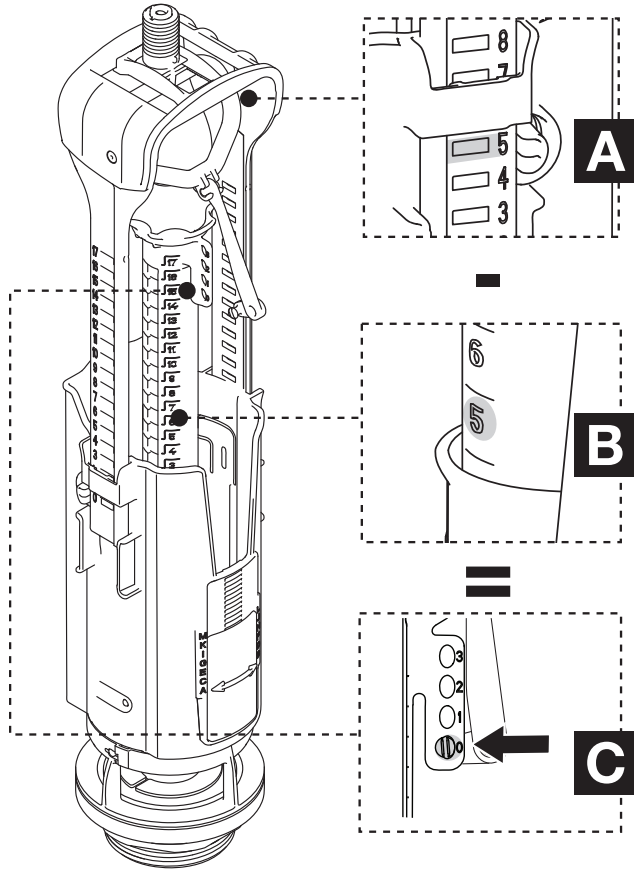
5 page



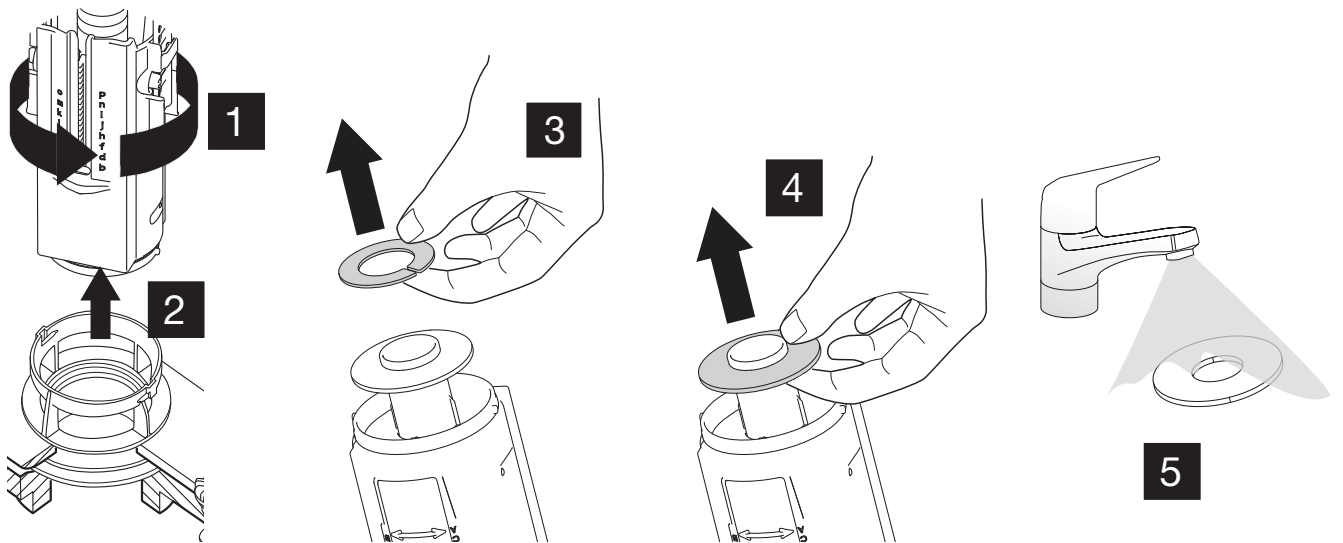


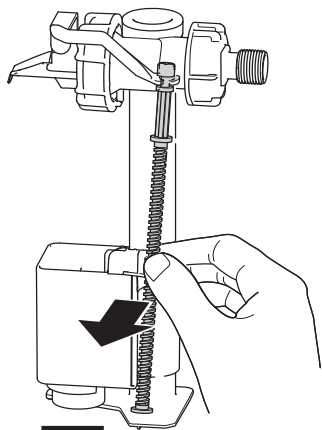
8



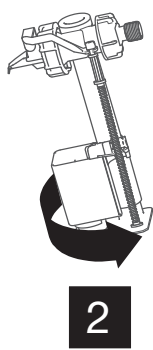


A	B	C
0	0	0
1	1	0
2	2	0
3	3	0
4	4	0
5	5	0
6	6	0
7	7	0
8	8	0
9	9	0
10	10	0
11	11	0
12	12	0
13	13	0
14	14	0
15	15	0
16	16	0
17	17	0

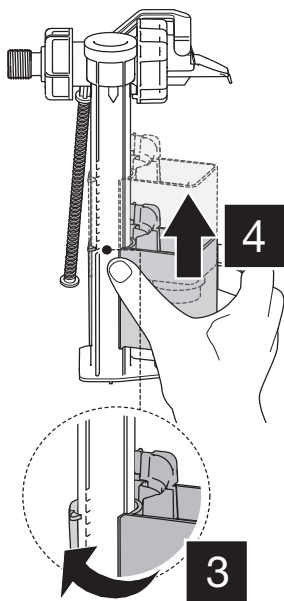




1

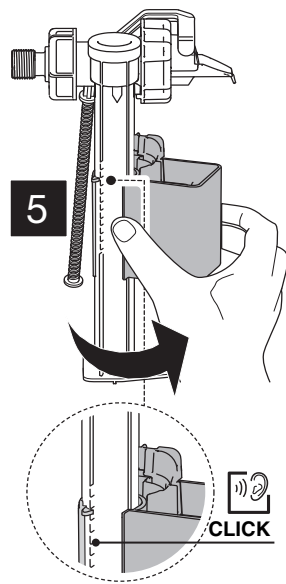


2



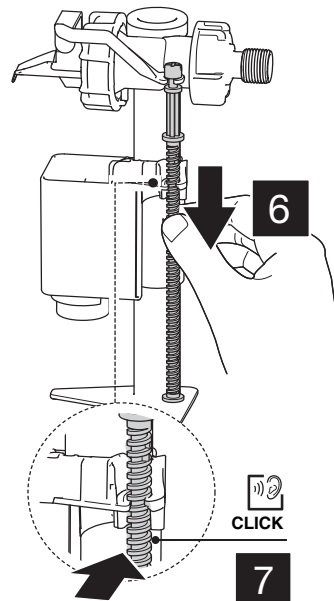
4

3



5

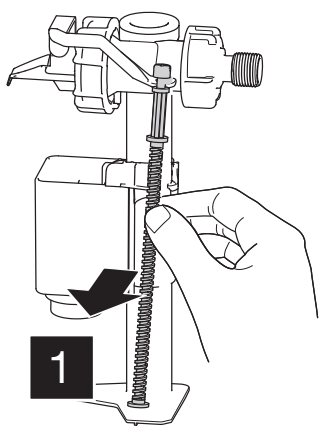
CLICK



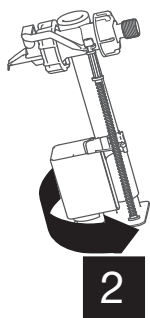
6

CLICK

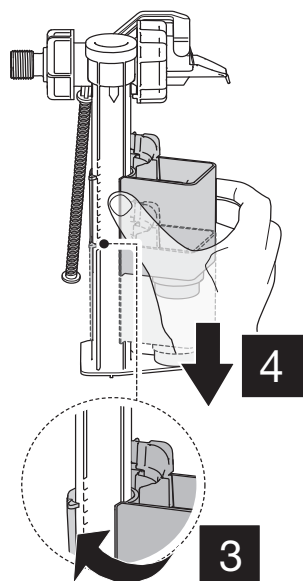
7



1

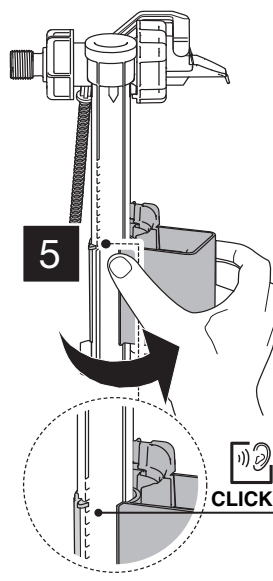


2



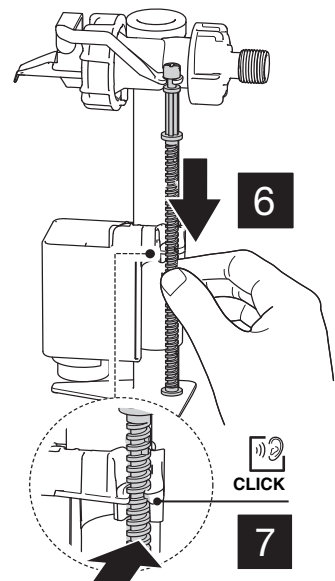
4

3



5

CLICK



6

CLICK

7

