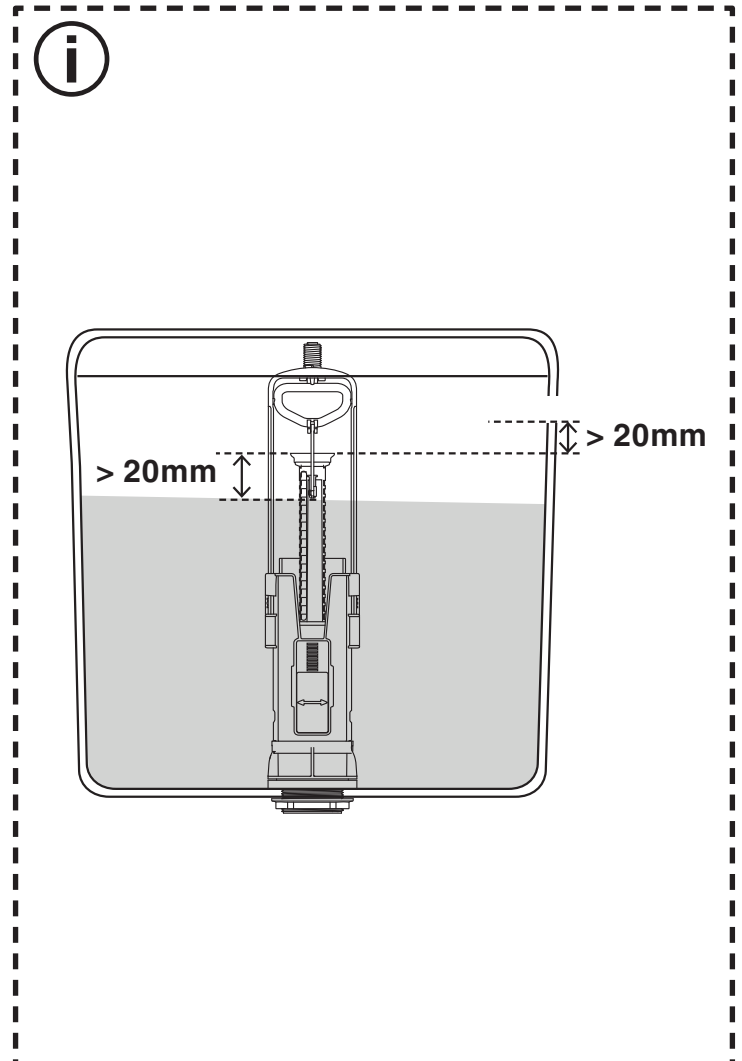
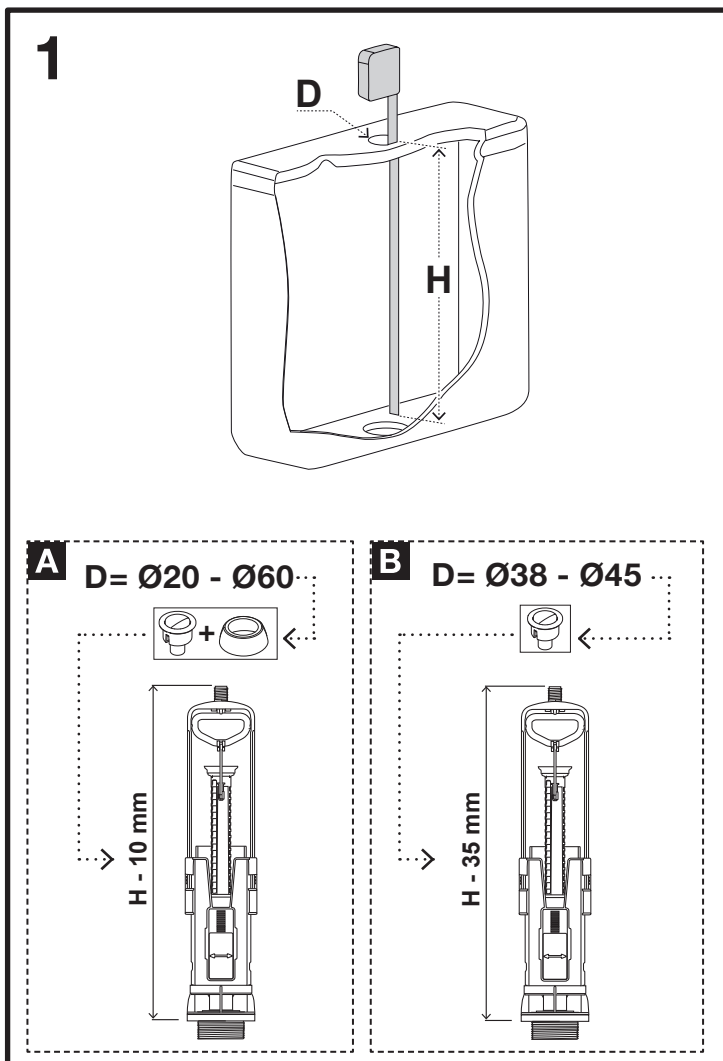
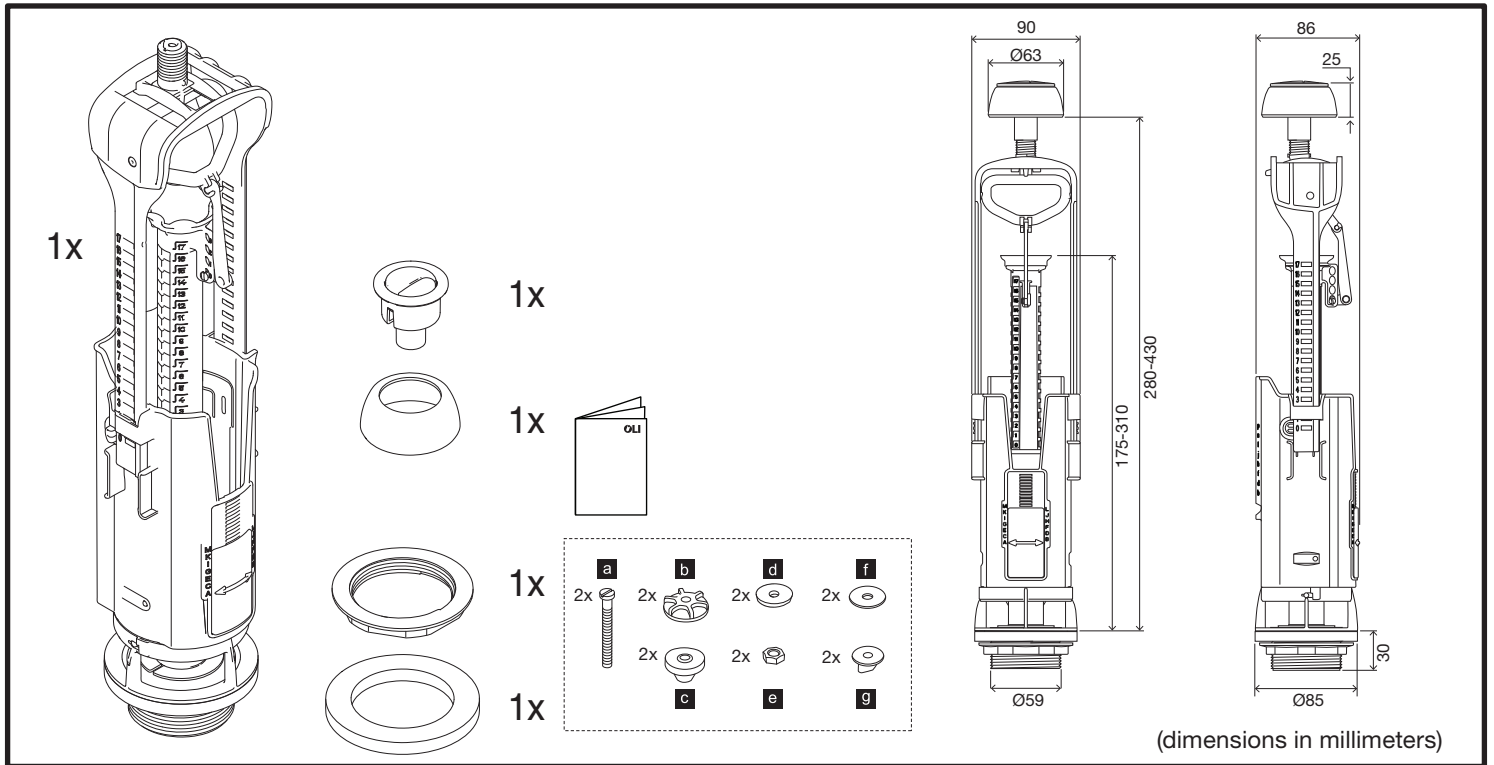
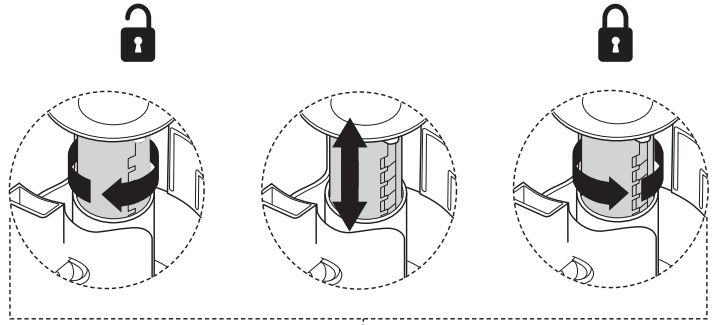
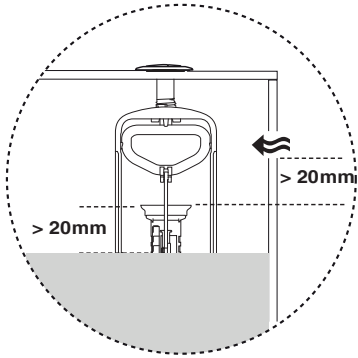
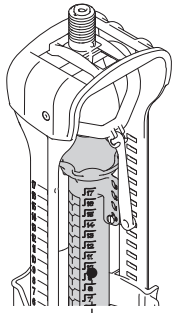


BETA

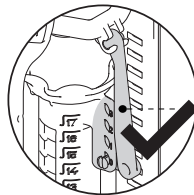
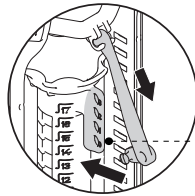
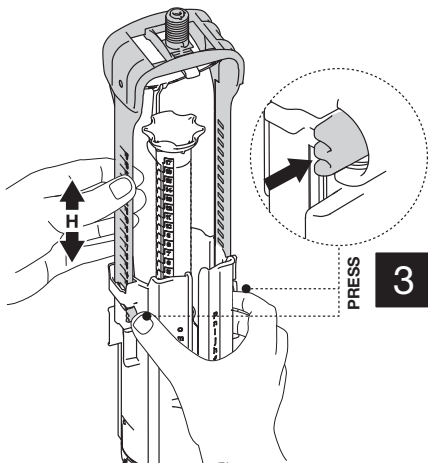
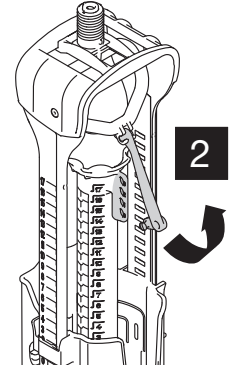
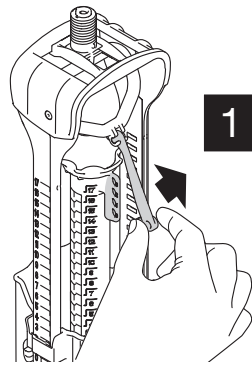
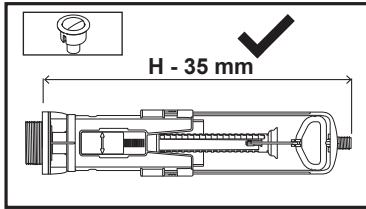
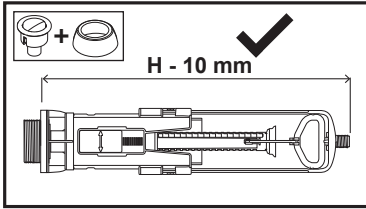
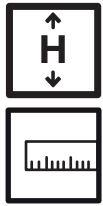
OUTLET VALVE



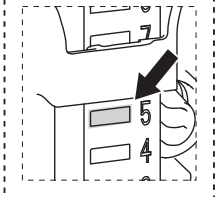
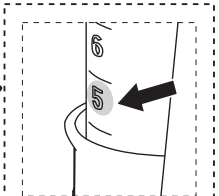
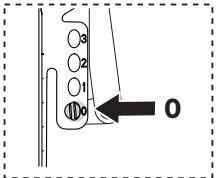
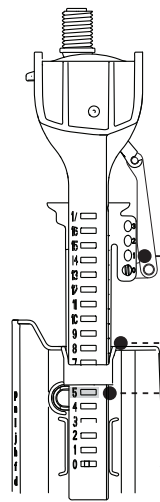
2

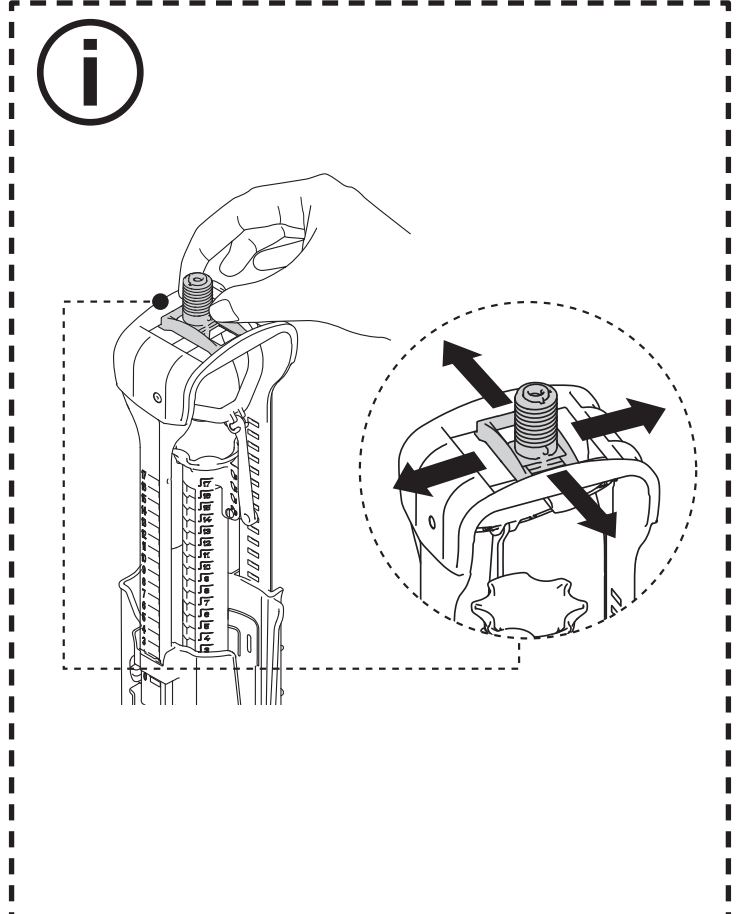
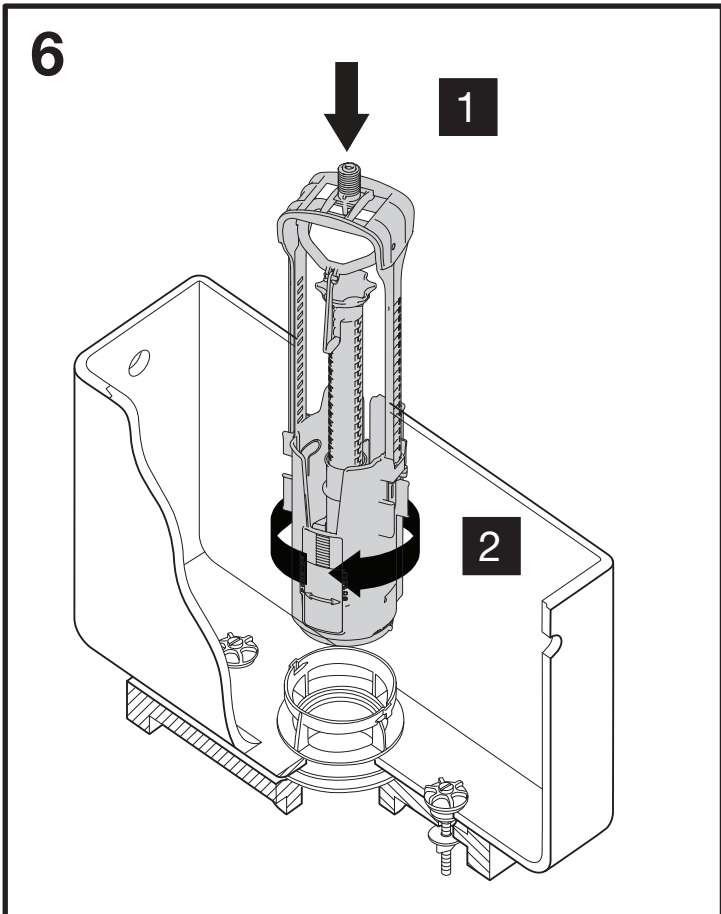
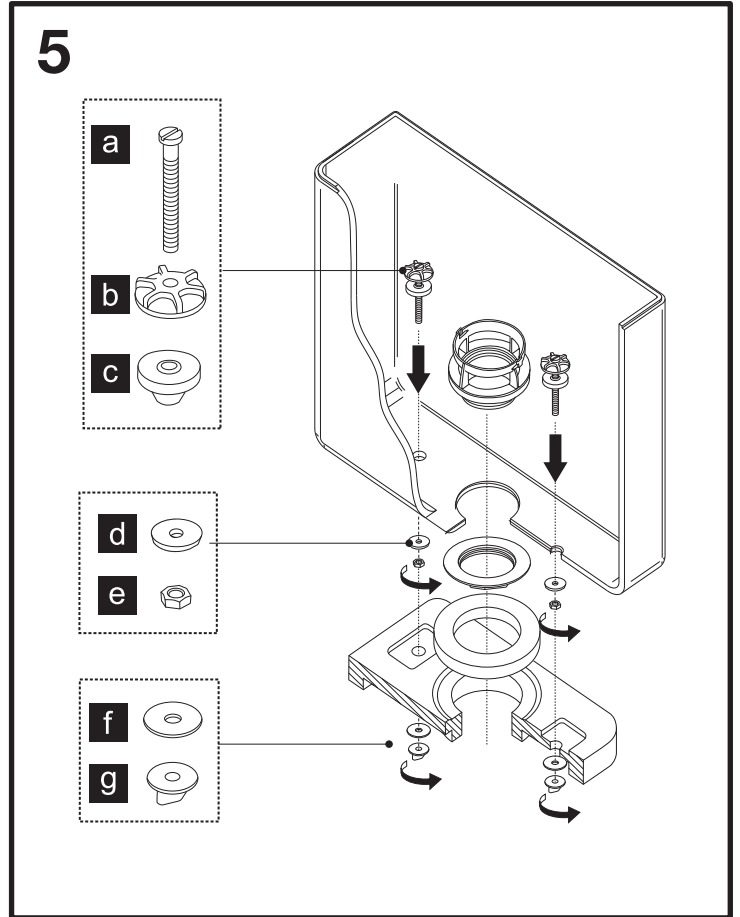
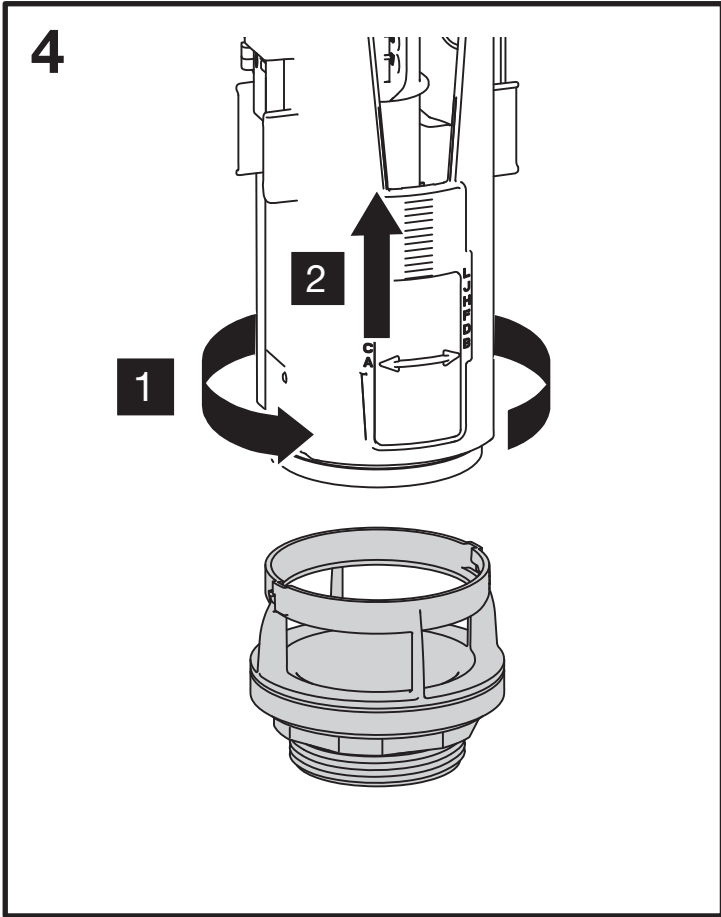


3

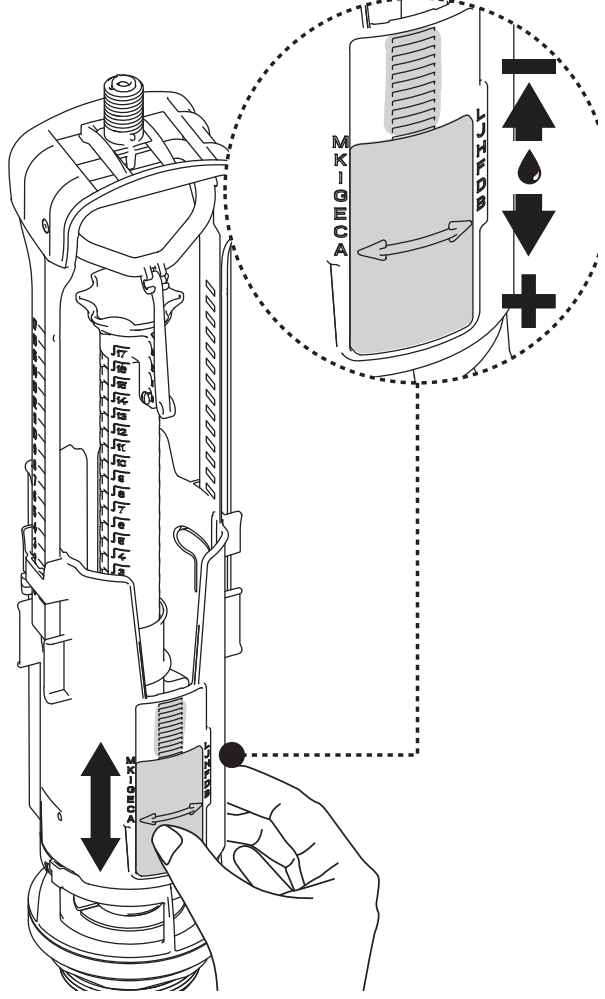
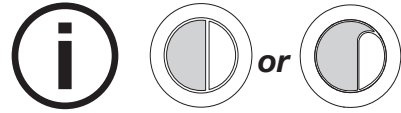
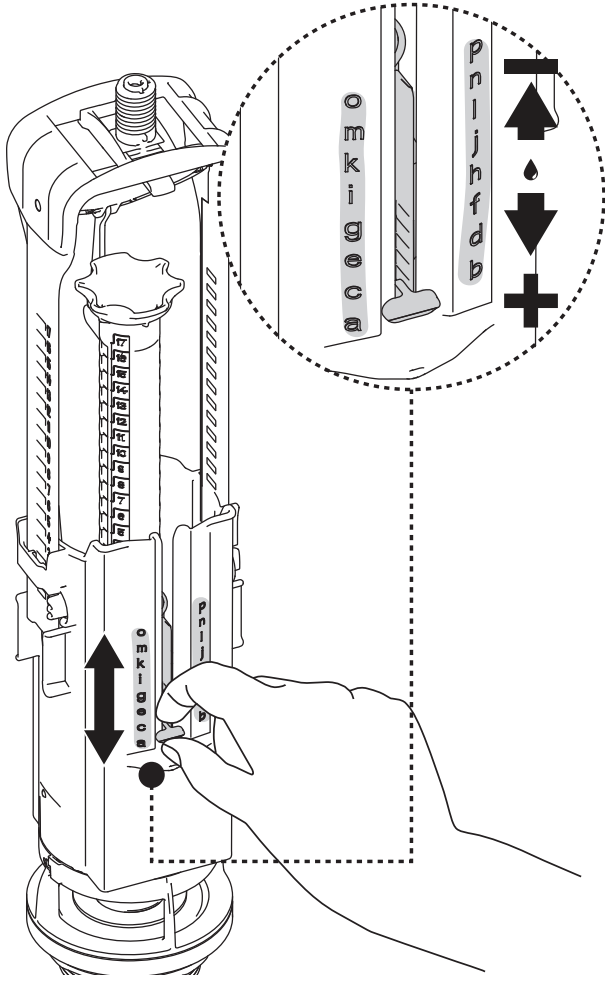
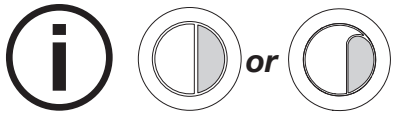
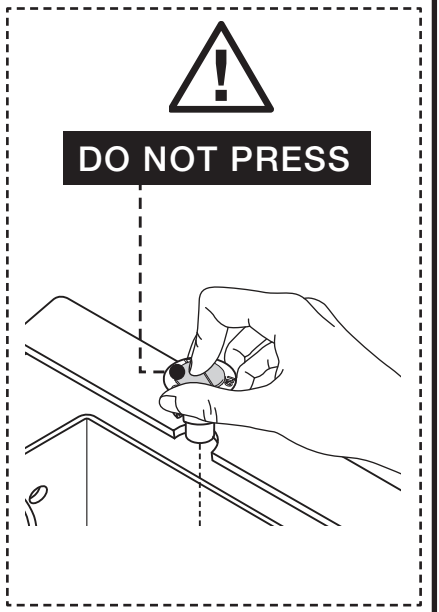
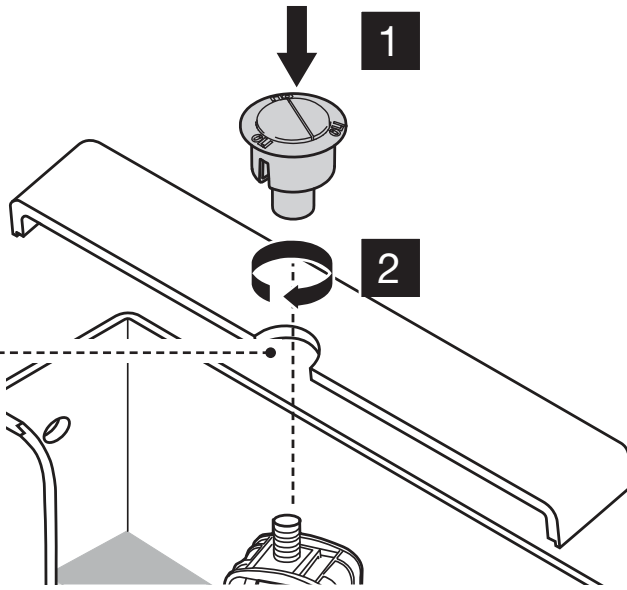
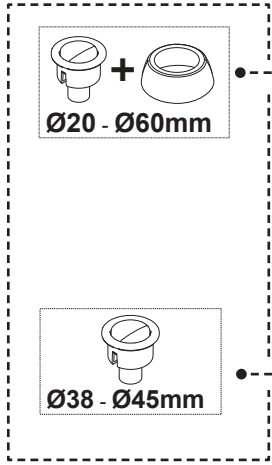


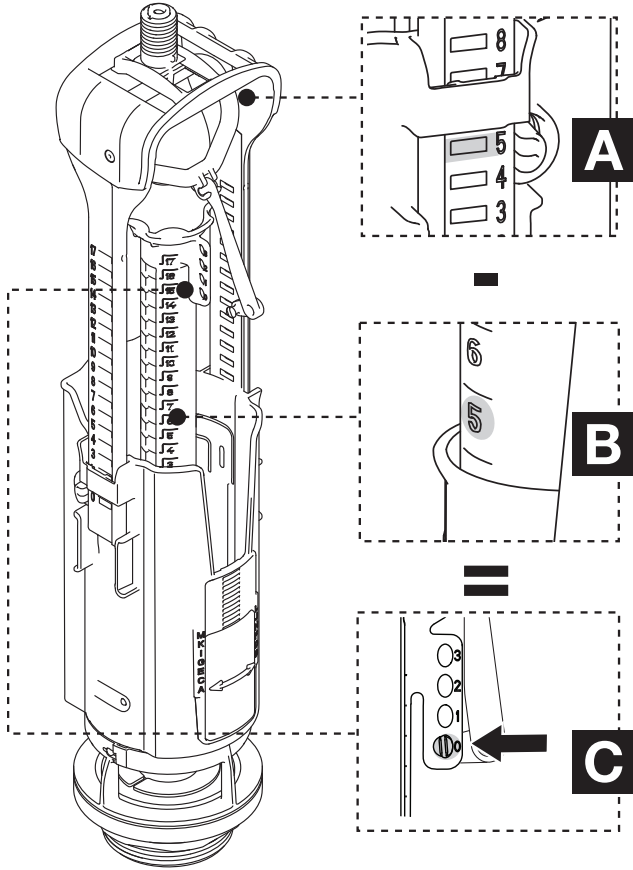
5 page





7





A B C

0 0 0

1 1 0

2 2 0

3 3 0

4 4 0

5 5 0

6 6 0

7 7 0

8 8 0

9 9 0

10 10 0

11 11 0

12 12 0

13 13 0

14 14 0

15 15 0

16 16 0

17 17 0

