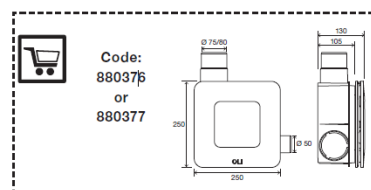
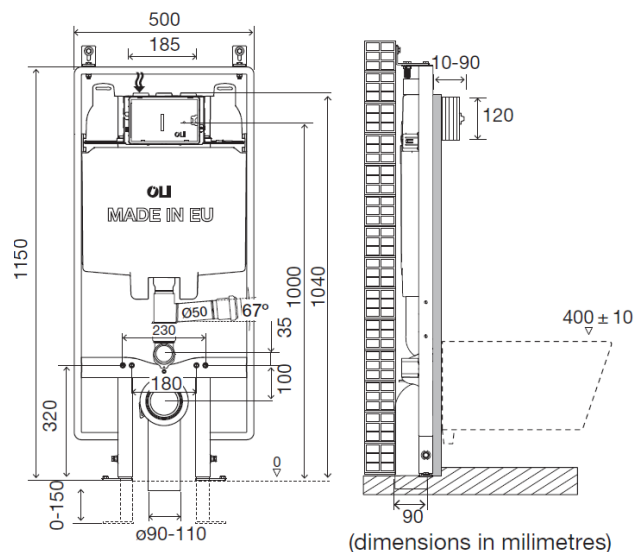


Technical Sheet

OLI74 PLUS MECHANIC HAPPY AIR S90



Product Identification

881821 • OLI74 PLUS Mechanic HAPPY AIR S90

Definition and Application

- Pre-assembled structure for installation in front of masonry wall and finish in light wall, plasterboard wall or in technical support rail for light wall with thickness reduced (90mm).
- Compatible with all wall-hung WC pans
- Extraction of odours and air renewal system in bathroom

Technical Features

Structure

- In painted tubular corrosion resistant
- Minimum thickness of 90mm and adjustable up to 145mm
- Height regulation of the adjustable floor brackets (0-150 mm);
- Depth adjustable outlet bend
- Tested for 400kg load

Cistern

- Dual flush in-wall cistern compatible with either dual or single flush actuators 6/3 litres
- Mechanic actuation

Technical Sheet

OLI74 PLUS MECHANIC HAPPY AIR S90



- 80mm thickness
- Working pressure from 0,1 to 16 bar
- Resistance to atmospheric humidity (Hr <90%).
- Polypropylene (PP) cistern highly resistant and inalterable to thermal stress
- Other versions compliant with WRAS/SAI-WATERMARK/UPC/KIWA standards
- EN 14055 marking CL1
- Equipped with Inlet Valve, with delayed refilling (saves up to 9 litres of water per day) and silent according to the NF standard category Class I
- Supplied with anti-condensation lining

Accessories

- 1 Discharge pipe \varnothing 90 x 250
- 1 Seal for discharge pipe \varnothing 125
- 1 Connecting pipe \varnothing 45 x 180
- 1 Pan rubber seal \varnothing 45
- 1 Protective box
- 1 G 1/2" stop valve
- 1 Protection sponge for the stop valve
- 1 Flush bend \varnothing 90 / 90 L350
- 1 Outlet bend and \varnothing 90/110 adaptor
- 1 Protection pipe \varnothing 90
- 1 Protection pipe \varnothing 45

Fixing accessories for wall frame

- 8 Galvanized screws M8x60
- 8 Galvanized washers M8 DIN 9021
- 4 Bushing for metal structure
- 4 Screws DIN933 M8 x 20
- 4 Washers DIN125 M8

Order separately

Happy Air PLUS code 880377

- It can be installed on the wall or ceiling
- Activated by switch or sensor
- 960 Lumen LED
- Humidity sensor that can be set to automatically turn on
- Possible to adjust the operating time after the user switches the switch off (2min20min)
- Anti-back flow valve
- Paintable cover panel
- Melamine filter – noise reduction

Technical Sheet

OLI74 PLUS MECHANIC HAPPY AIR S90

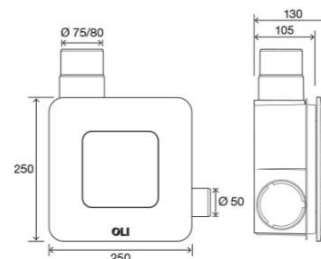


Technical Data

- Frequency: 50hz
- Power Supply: 220V
- The extractor fan operates at 220V/50Hz
- Active current: 0.14 A
- Power: 31W
- Insulation: IP35

Performance Data

- Capacity 85m³/h- 12W 34dB
- Capacity 100m³/h- 20W 38dB.
- Maximum suction pressure: 190 Pa
- Rotating speed: 1900rpm



Warranty

- Ten (10) years warranty according to the general selling terms, starting from the purchase date of the product.
- If the product is not correctly installed the warranty is not valid

Observations

- There are available similar products. For more information please consult our Sanitary Installation Systems catalogue or our site www.oli-world.com