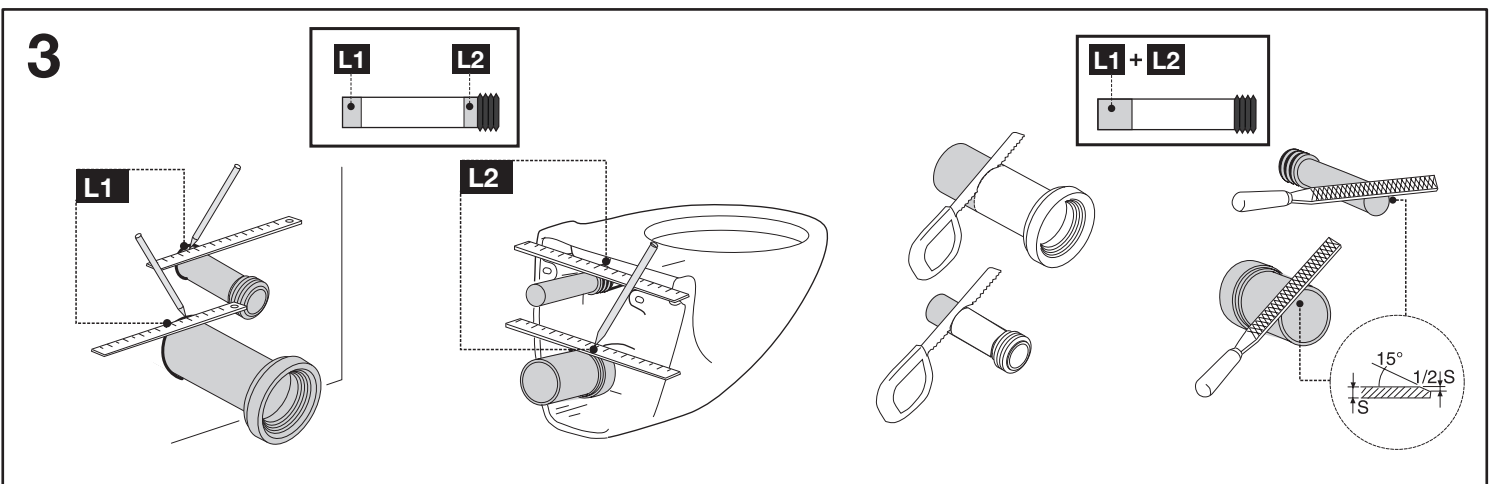
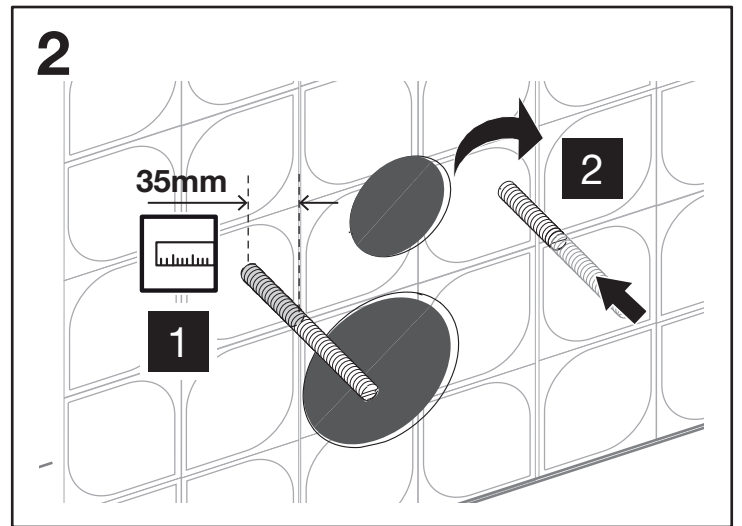
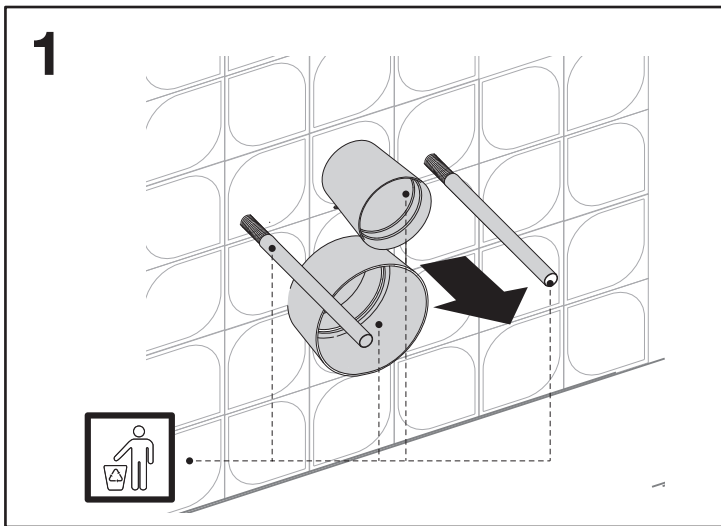
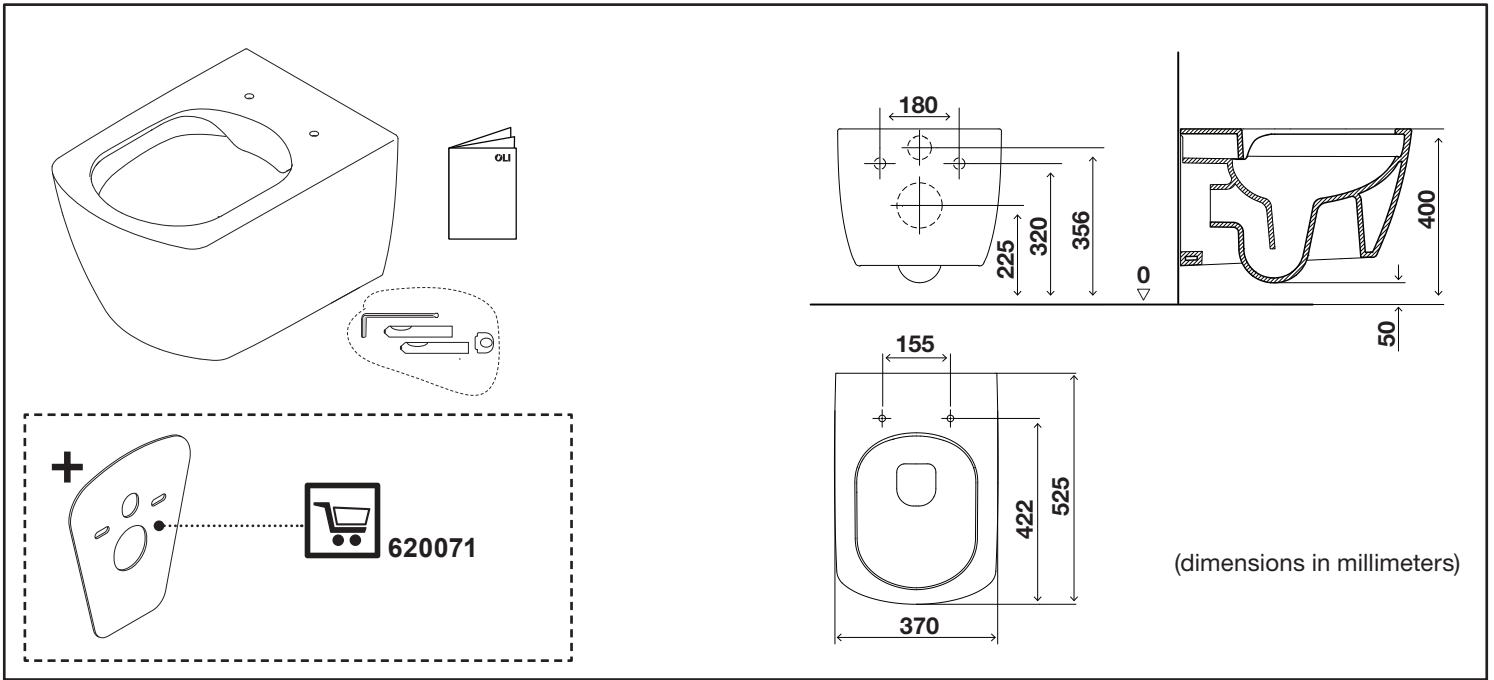
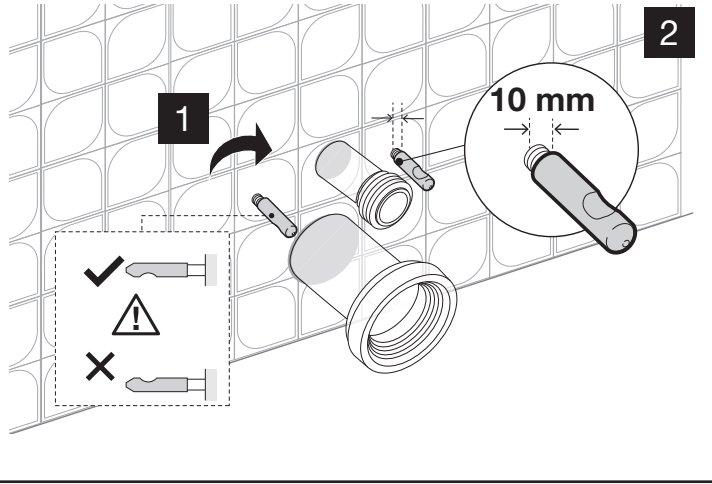


RIVER WC

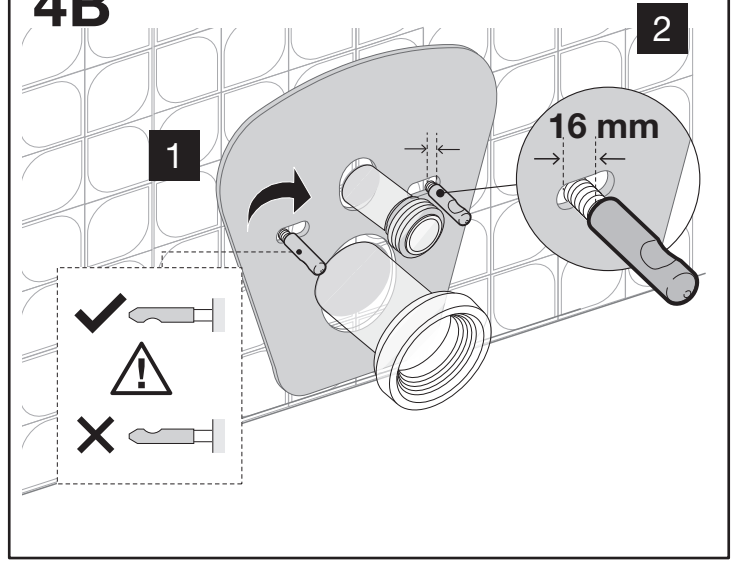
WALL HUNG



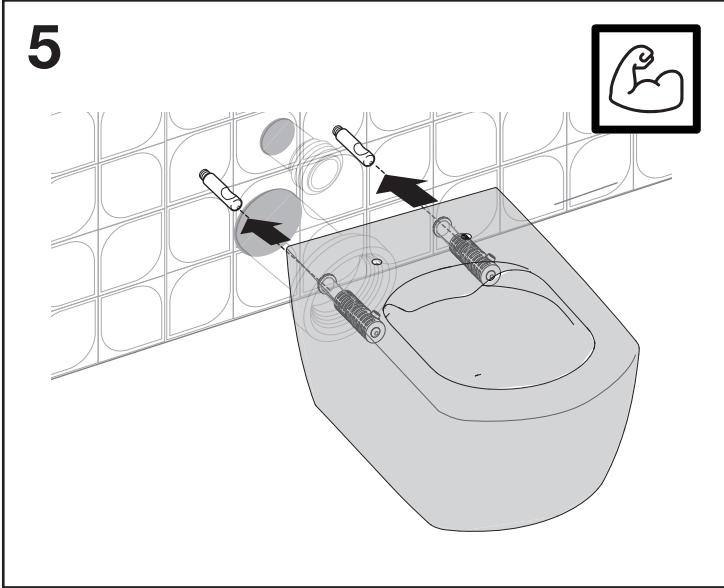
4A



4B



5



6

