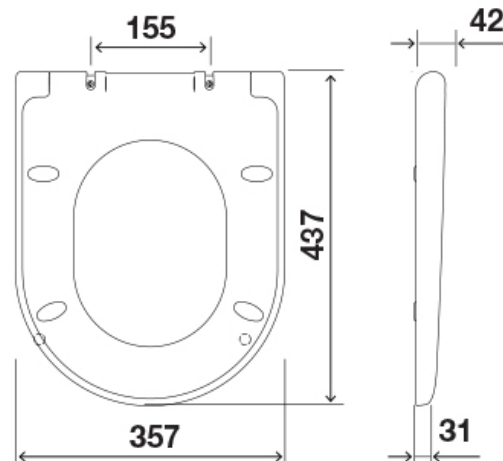


Technical Sheet

Toilet Seat Cover 04 Durosoft White



Product Identification

RD10000888605

TOILET SEAT COVER 04 DUROSOFT WHITE

Definition and Application

With round lines, with materials that provide high resistance to impacts and, with antibacterial properties that provide a high degree of hygiene, it is the ideal solution to combine with the BTW Lake toilet model.

Comfort and durability are guaranteed factors with this seat cover that has a cushioned fall system that allows greater safety, especially for children.

The Seat cover fixing system is made from the top, making the assembly process more comfortable and quick, with quick and easy adjustment. Disassembly is simplified by the "ClippOff" system, allowing good cleaning of the seat cover and the respective toilet.

Technical features

- Material: Duroplast
- Color: White
- Shape: Round
- Antibacterial
- Top fastening - top tightening system
- Soft-close fall
- Box Dimension: 380x480x52mm
- Product gross weight: 2.00 kg

The measurements shown are in millimeters

Technical Sheet

Toilet Seat Cover 04 Durosoft White



Accessories

- Fixing accessories included

Warranties

See the warranty terms in general sales conditions at <https://www.oli-world.com/en/general-sales-conditions/>.

Observations

There are available similar products. For more information please consult our Sanitary Installation Systems catalogue or www.oli-world.com.

The measurements shown are in millimeters