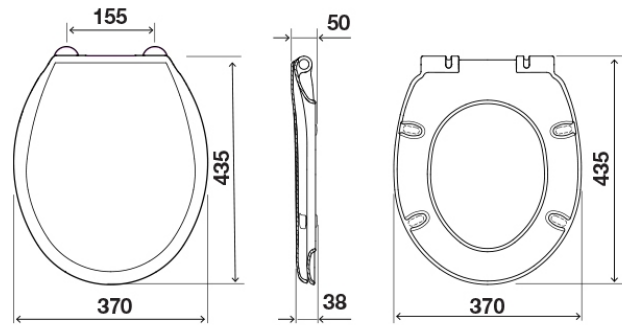


Technical Sheet

Toilet Seat Cover 05 Thermosoft White



Product Identification

RD10000888606

TOILET SEAT COVER 05 THERMOSOFT WHITE

Definition and Application

With round lines, with materials that provide high resistance to impacts and, with antibacterial properties that provide a high degree of hygiene, it is the ideal solution to combine with the BTW Lagoon toilet model.

Comfort and durability are guaranteed factors with this seat cover that has a cushioned fall system that allows greater safety, especially for children.

The Seat cover fixing system is made from the bottom, with quick and easy adjustment. Disassembly is simplified by the "ClippOff" system, allowing good cleaning of the seat cover and the respective toilet.

Technical features

- Material: Thermoplast
- Color: White
- Shape: Round
- Antibacterial
- Soft-close fall
- Box Dimension: 380x480x52mm
- Product gross weight: 1.20 kg



Accessories

- Fixing accessories included

The measurements shown are in millimeters

Technical Sheet

Toilet Seat Cover 05 Thermosoft White



Warranties

See the warranty terms in general sales conditions at <https://www.oli-world.com/en/general-sales-conditions/>.

Observations

There are available similar products. For more information please consult our Sanitary Installation Systems catalogue or www.oli-world.com.

The measurements shown are in millimeters