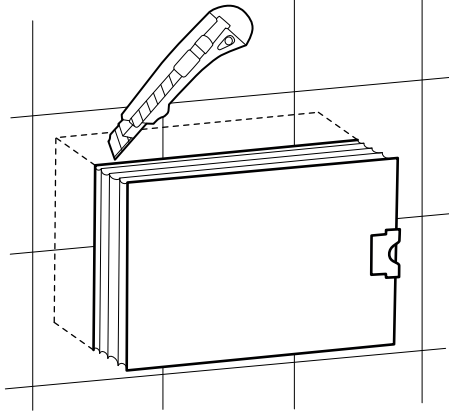
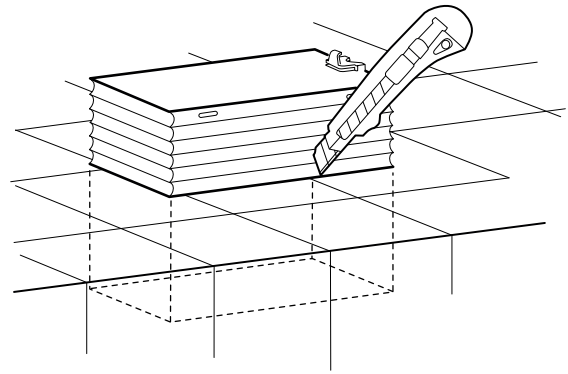


1

FRONT

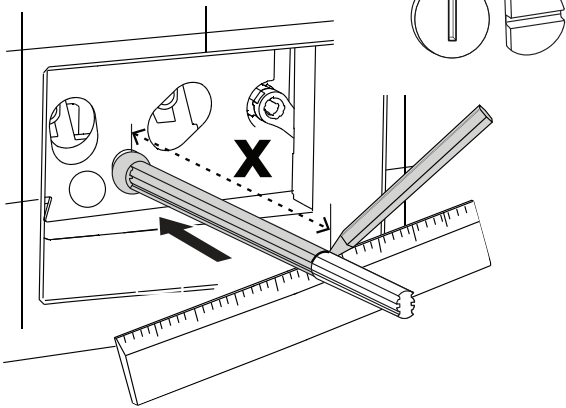


TOP



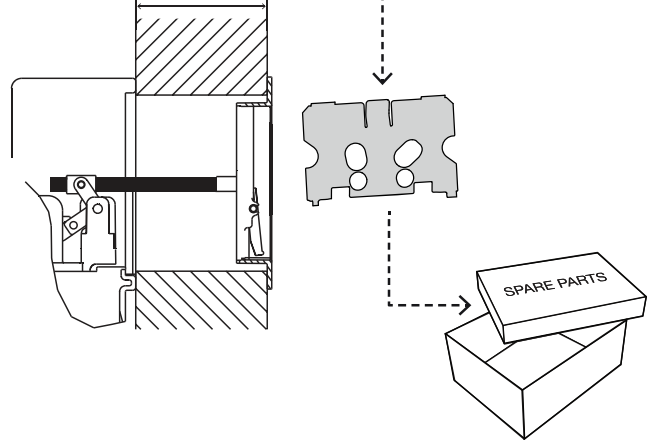
2

x2 x2



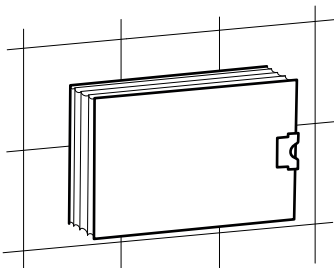
3

X < 30mm

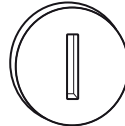


4

FRONT



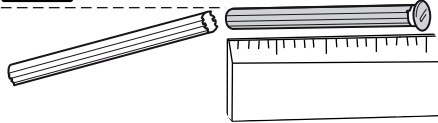
x2



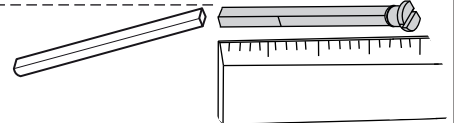
x2



← X + 45mm →

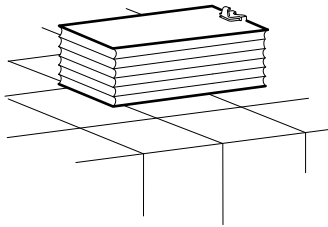


← X + 30mm →



4

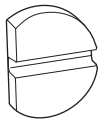
TOP



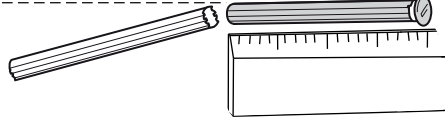
x2



x2



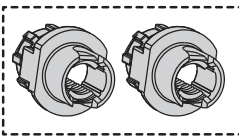
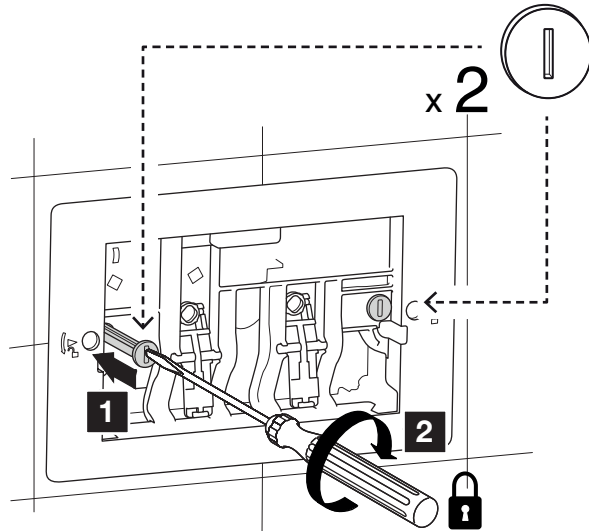
← X + 10mm →



← X + 75mm →



5



Cod.037152
Fixation kit <09
Order separately

