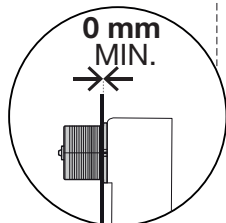
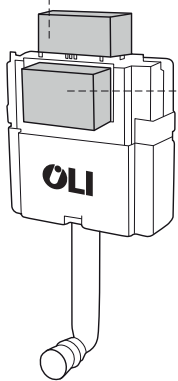
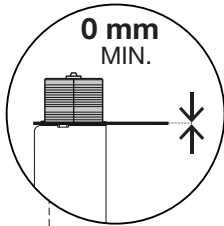
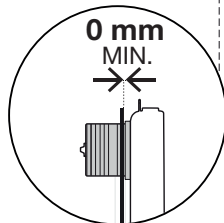
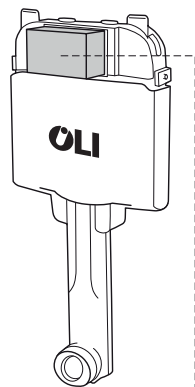


	A	B	C
mm	245	160	17
in	9,64	6,29	0,66

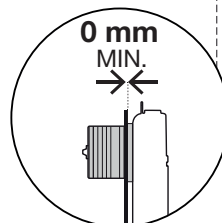
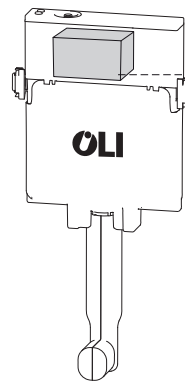
EXPERT PLUS



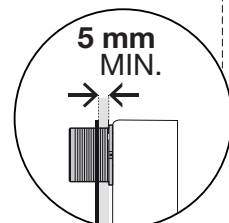
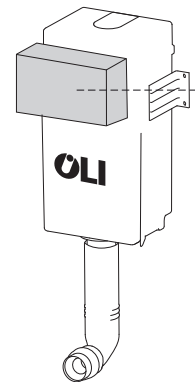
OLI74 PLUS



OLI80

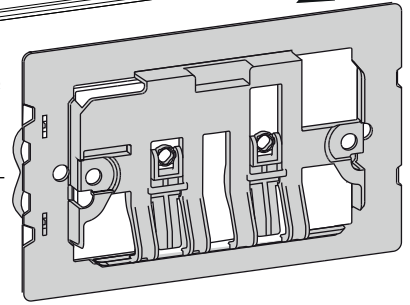
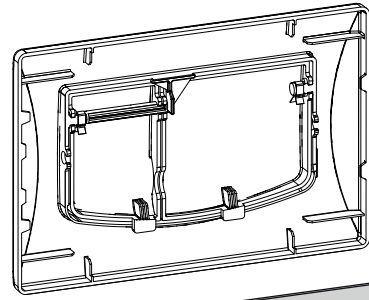
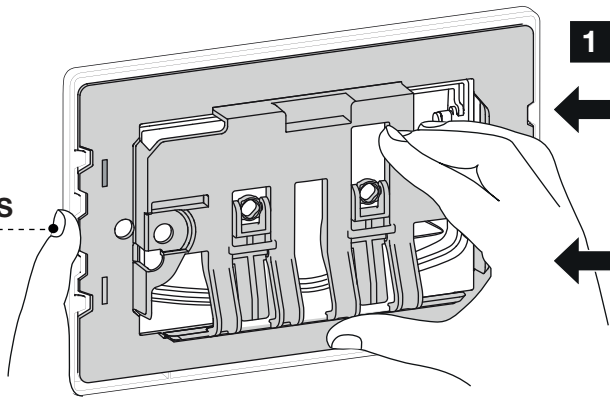


QUADRA PLUS



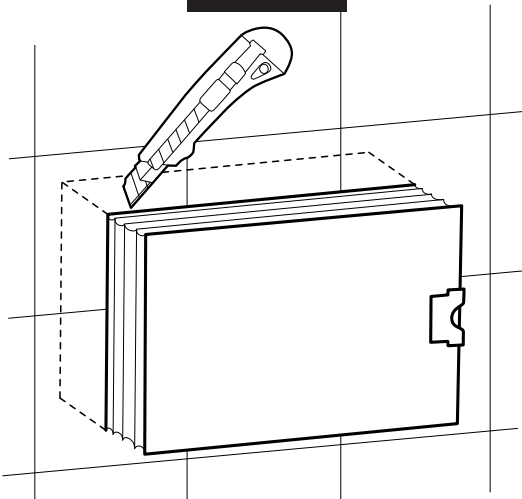


PRESS

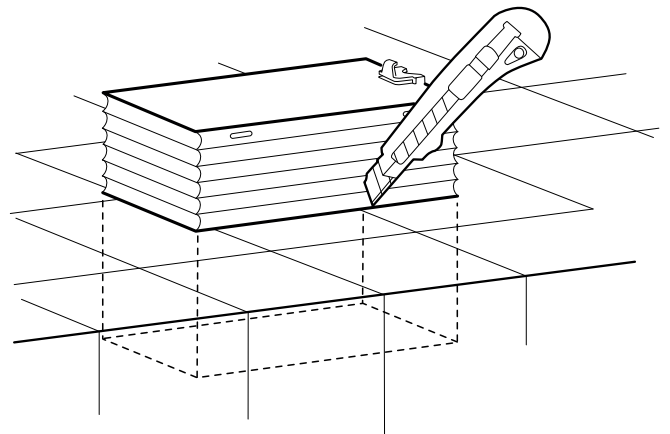


1

FRONT

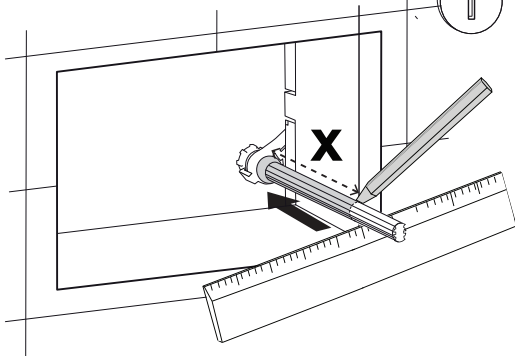


TOP



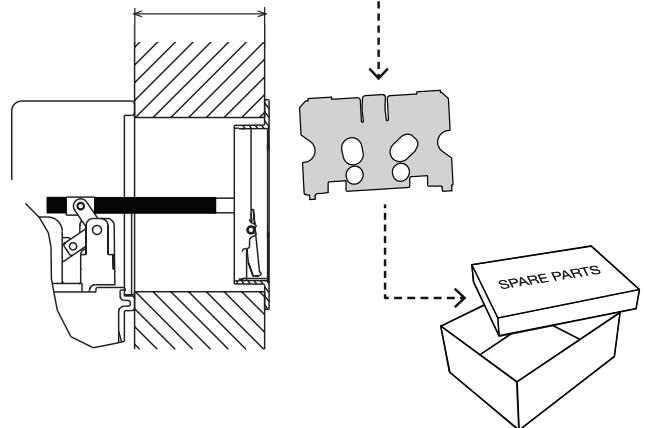
2

x2 x2



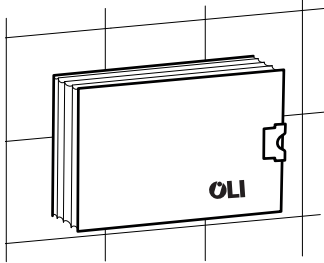
3

X < 30mm



4

FRONT

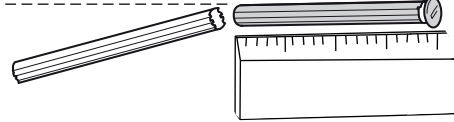


x 2



X + 1,77"

← X + 45mm →



x 2



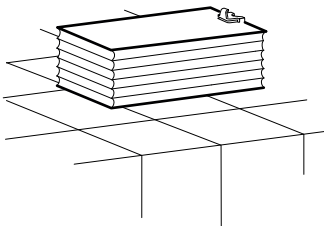
X + 1,18"

← X + 30mm →



4

TOP

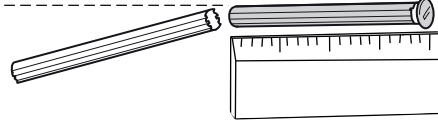


x 2



X + 0,39"

← X + 10mm →

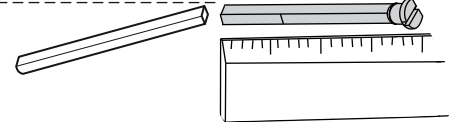


x 2

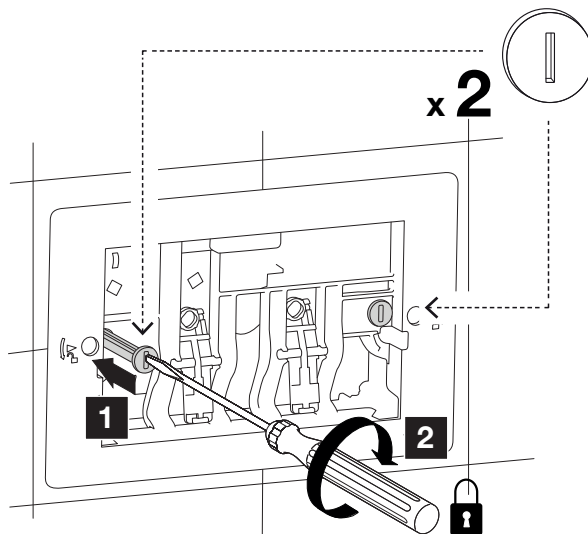


X + 2,95"

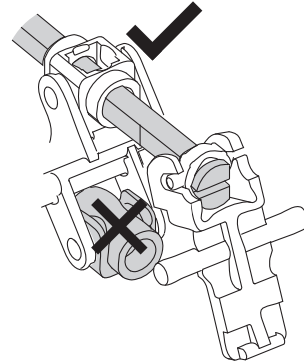
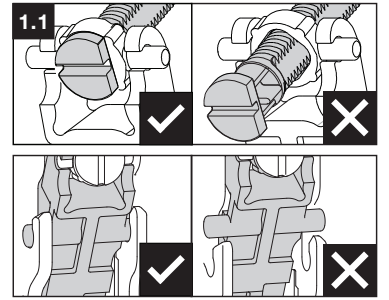
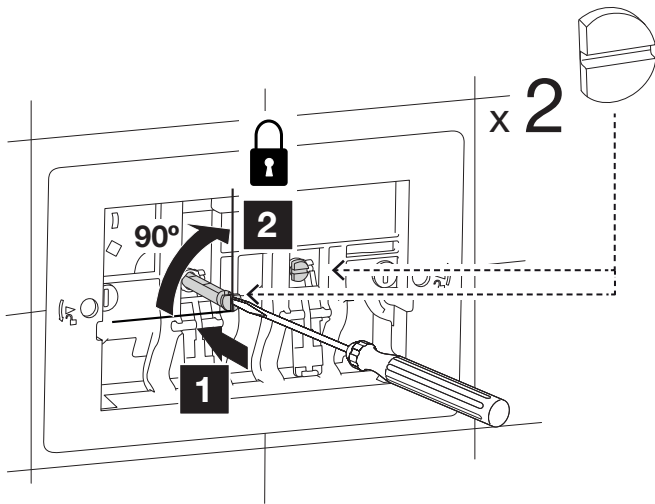
← X + 75mm →



5



6



7

