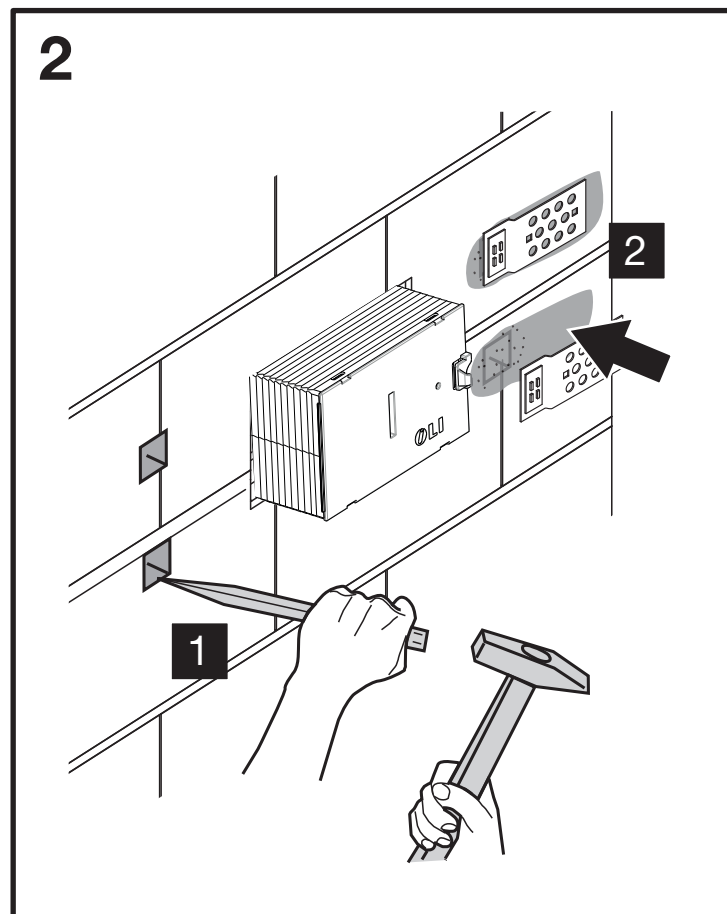
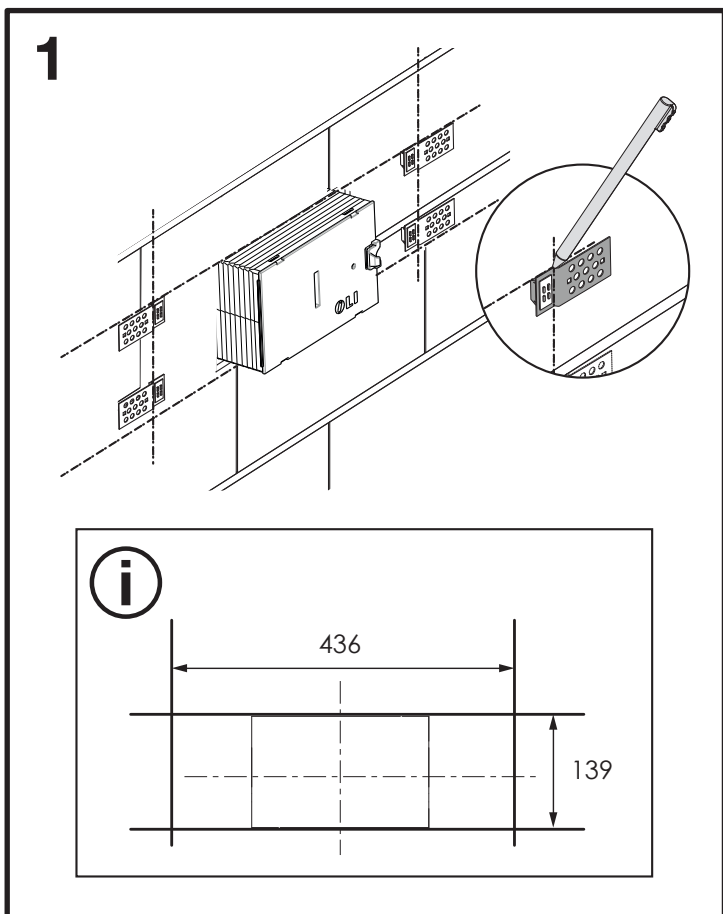
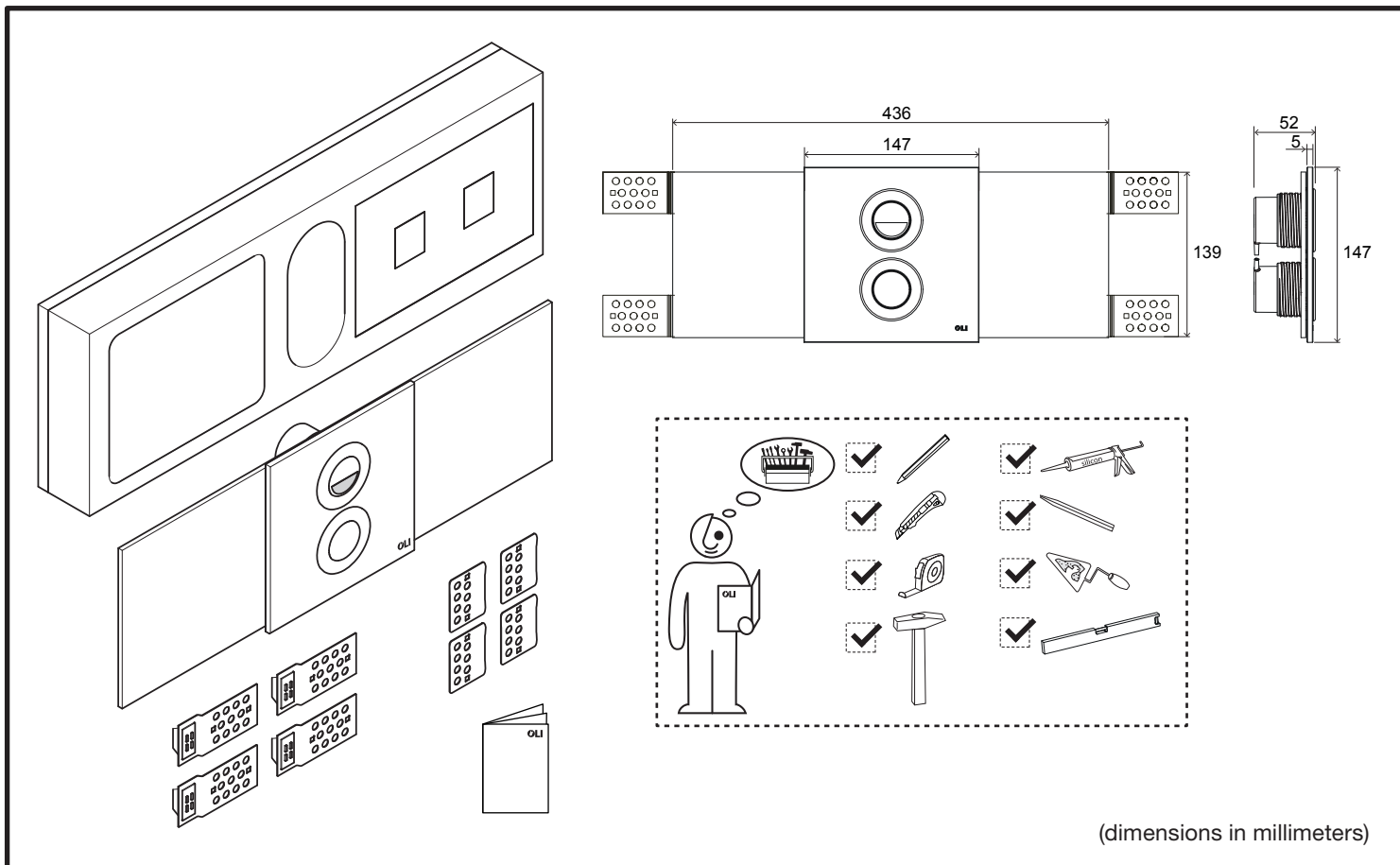
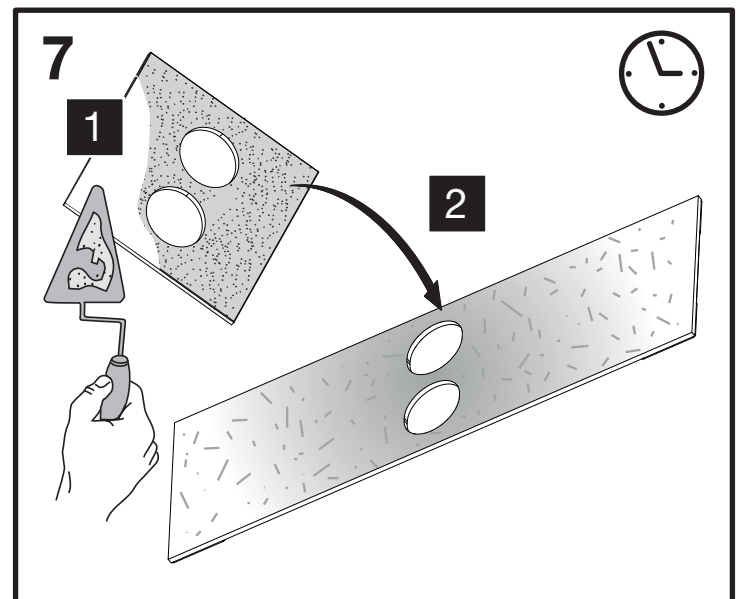
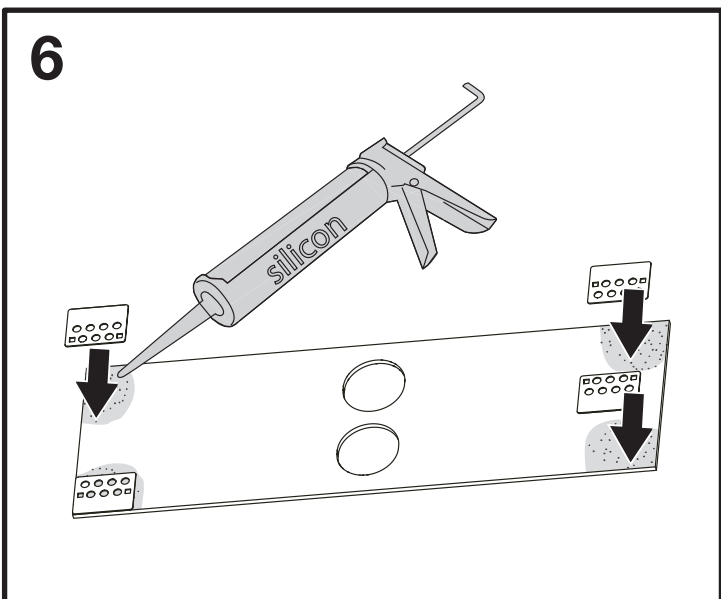
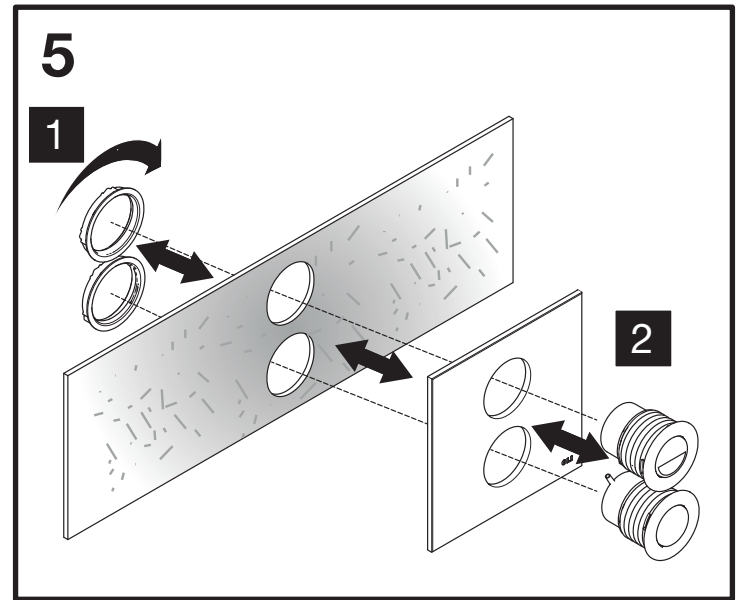
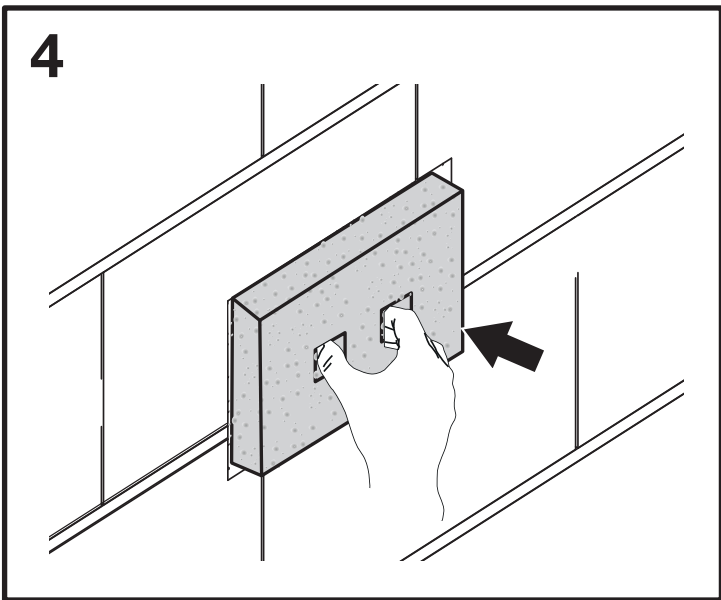
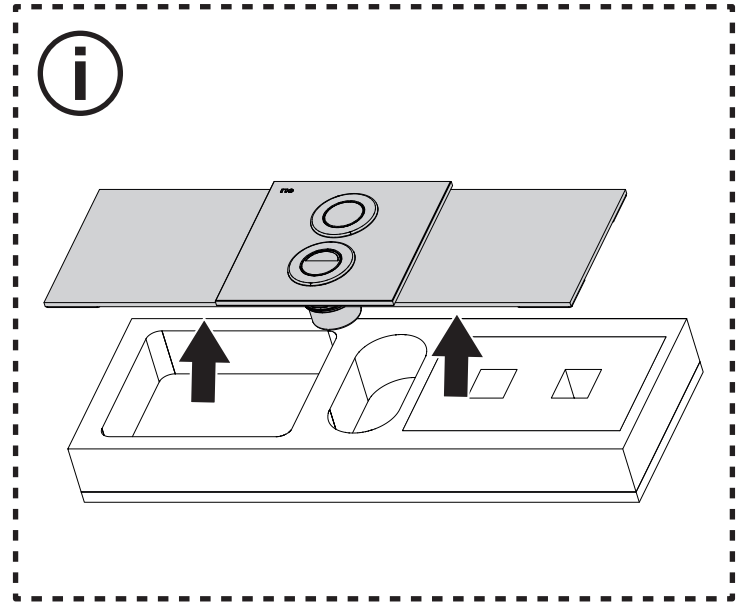
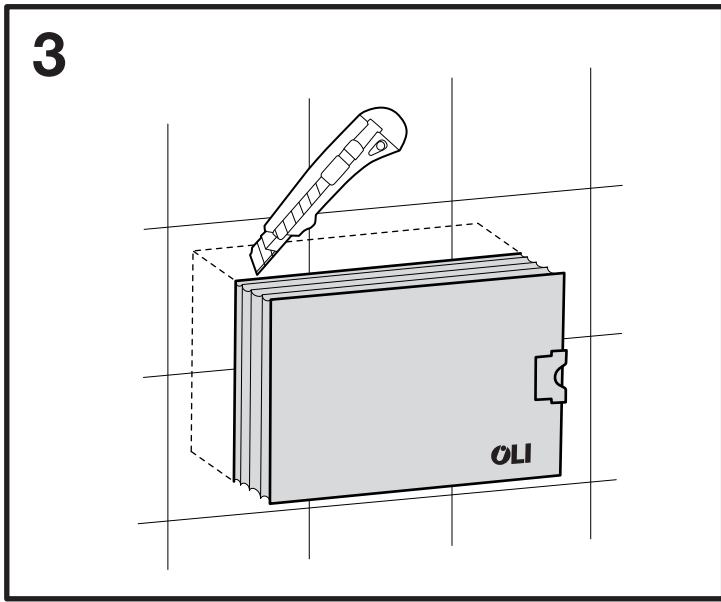
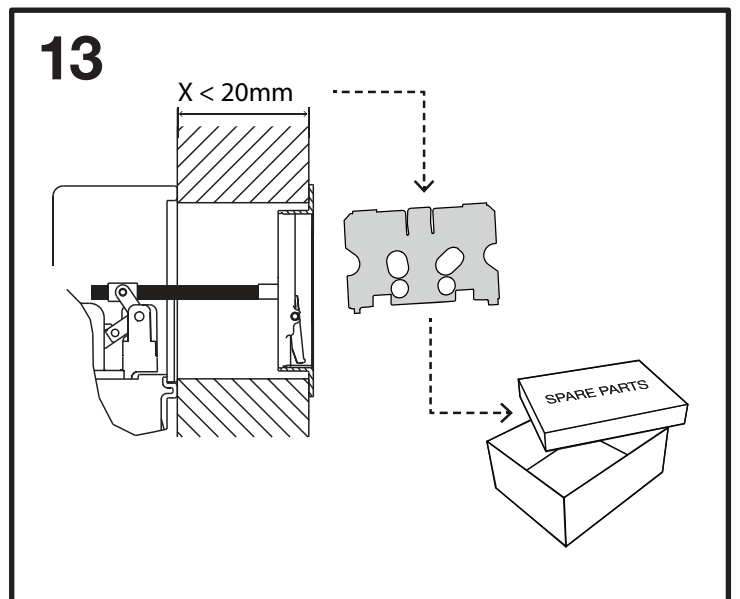
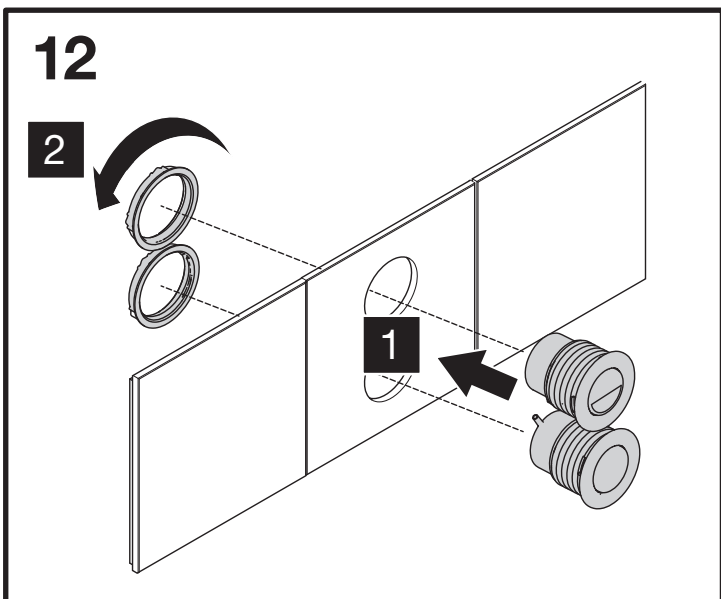
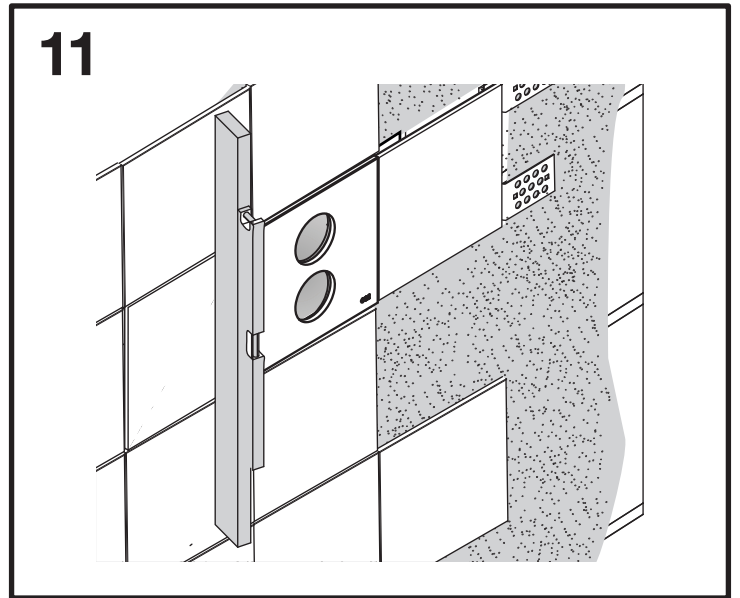
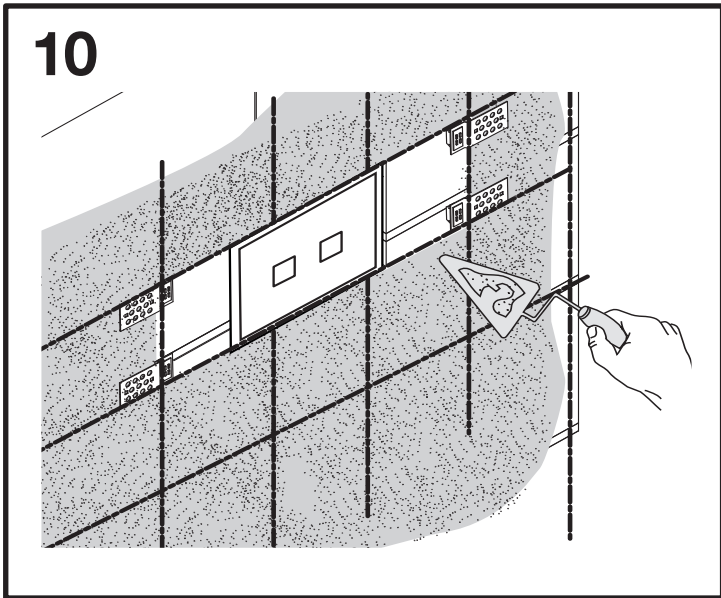
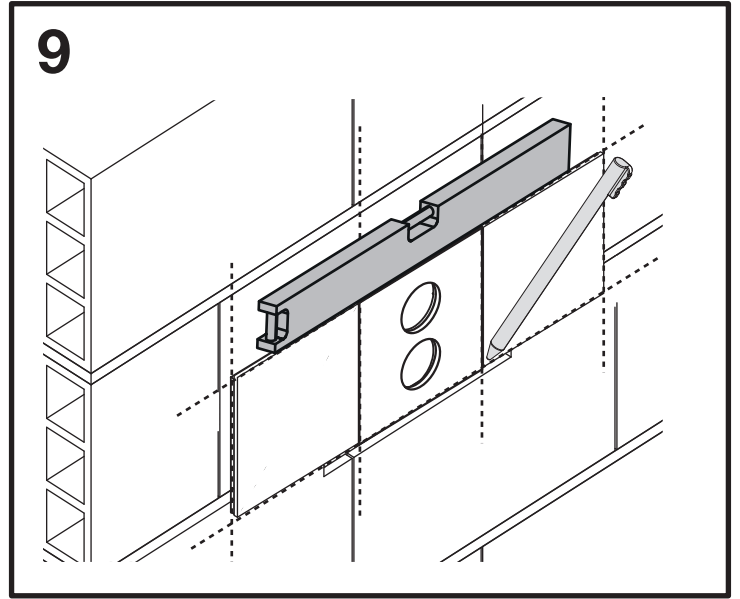
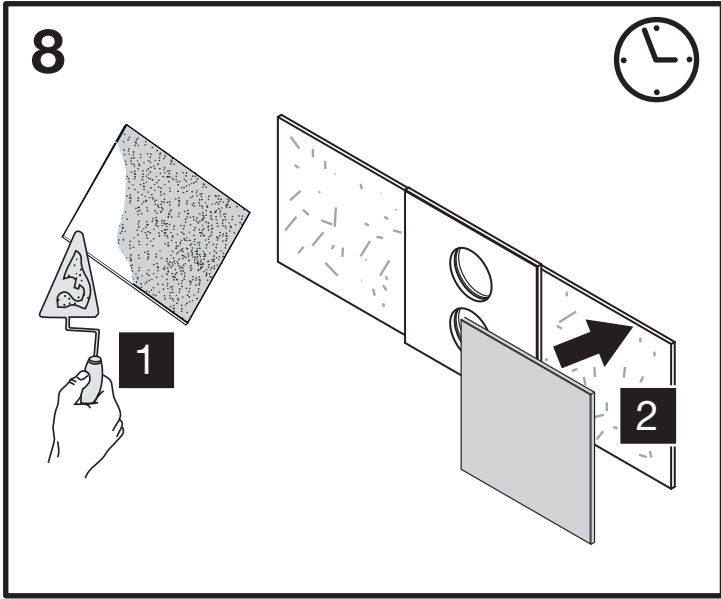


SM15

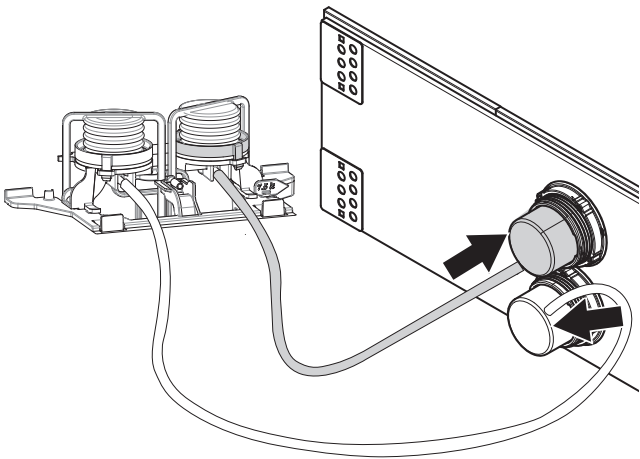
PNEUMATIC



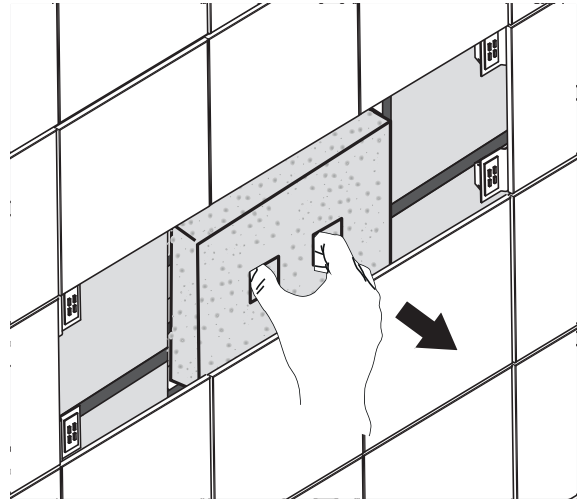




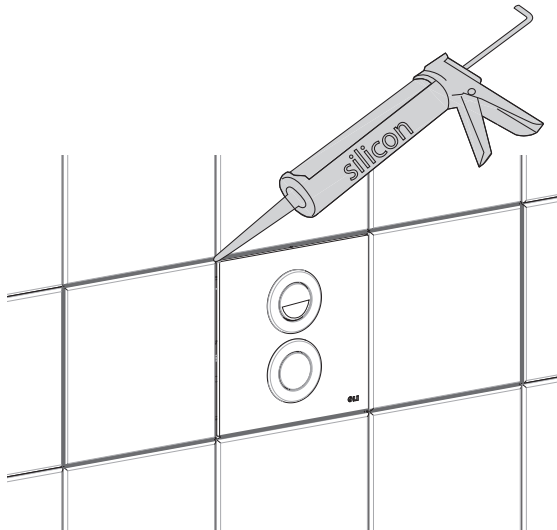
16



17



1



i

