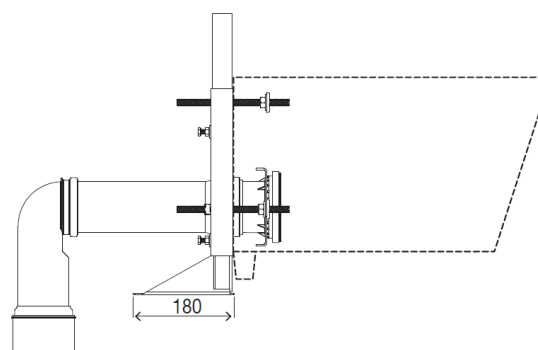
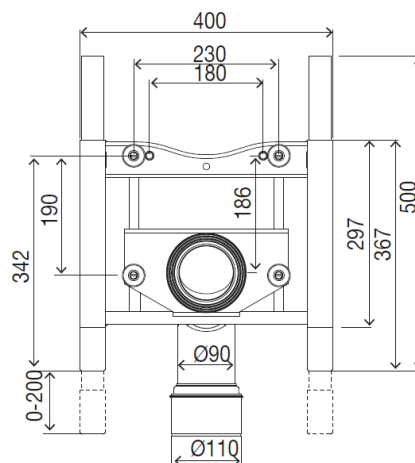


Technical Sheet

4 WC Fixation Points Free Standing



Product Identification

879027

- 4 WC Fixation Points Free Standing- axial connection

Definition and Application

- Preassembled structure to wall-hung WC pans, floor fixation, and for plasterboard wall installation
- Compatible with all wall-hung WC pans with four fixation points and axial connection

Technical Features

Structure

- Painted tubular frame with 1,5mm thickness, corrosion resistant
- Height adjustable (0 – 200 mm)
- Frame tested for 400kg load
- Depth adjustable outlet bend
- WC with four fixation points

Millimetres measures

Technical Sheet

4 WC Fixation Points Free Standing



Accessories

- 1 Flush bend \varnothing 90 / 90 L230
- 1 Evacuation pipe \varnothing 90 x 120
- 1 Connection pipe \varnothing 90x250
- 1 Pan rubber seal \varnothing 125x15
- 1 Seal for discharge pipe
- 1 Adaptor \varnothing 90/110

Fixing accessories for floor structure

- 4 Bushing for metal structure M10

Fixing accessories from WC to structure

- 4 Threaded rods M12
- 4 Nuts M12
- 4 Protection for threaded rod
- 4 Protection cover
- 4 Toilet centring washer
- 4 Washers Zn \varnothing 34

Warranty

- Ten (10) years warranty according to the general selling terms, starting from the purchase date of the product.
- If the product is not correctly installed the warranty is not valid

Observations

- There are available similar products. For more information please consult our Sanitary Installation Systems catalogue or our site www.oli-world.com