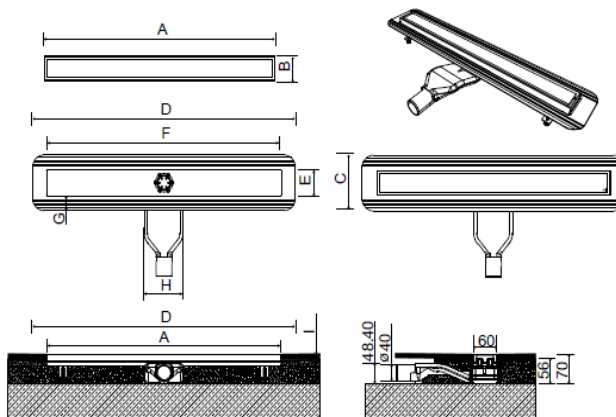


Technical Sheet

OLIFILO STANDARD

Floor drain shower system



A	B	C	D	E	F	G	H	I
700	60	135	775	64	704	35	100	70
800	60	135	875	64	804	35	100	70
900	60	135	975	64	904	35	100	70
1100	60	135	1175	64	1104	35	100	70

Product Identification

- 300310** • OLIFILO standard 70
- 300312** • OLIFILO standard 80
- 300314** • OLIFILO standard 90
- 300316** • OLIFILO standard 110

Definition and Application

- Shower drain system with a 360° polypropylene siphon, with a stainless steel grid.
- Ideal for people with reduced mobility.

Technical Features

- 360° rotation polypropylene siphon
- Flow rate of 0,6 L/s;
- 304 Stainless steel body;
- Siphon outlet diameter 40 mm;
- Support feet are not included;
- 304 Stainless steel Grid.

Millimetres measures

Warranty

- Two (2) years warranty according to the general selling terms, starting from the purchase date of the product.
- If the product is not correctly installed the warranty is not valid.

Observations

- There are similar products available. For more information please consult our Sanitary Installation Systems catalogue or our site www.oli-world.com