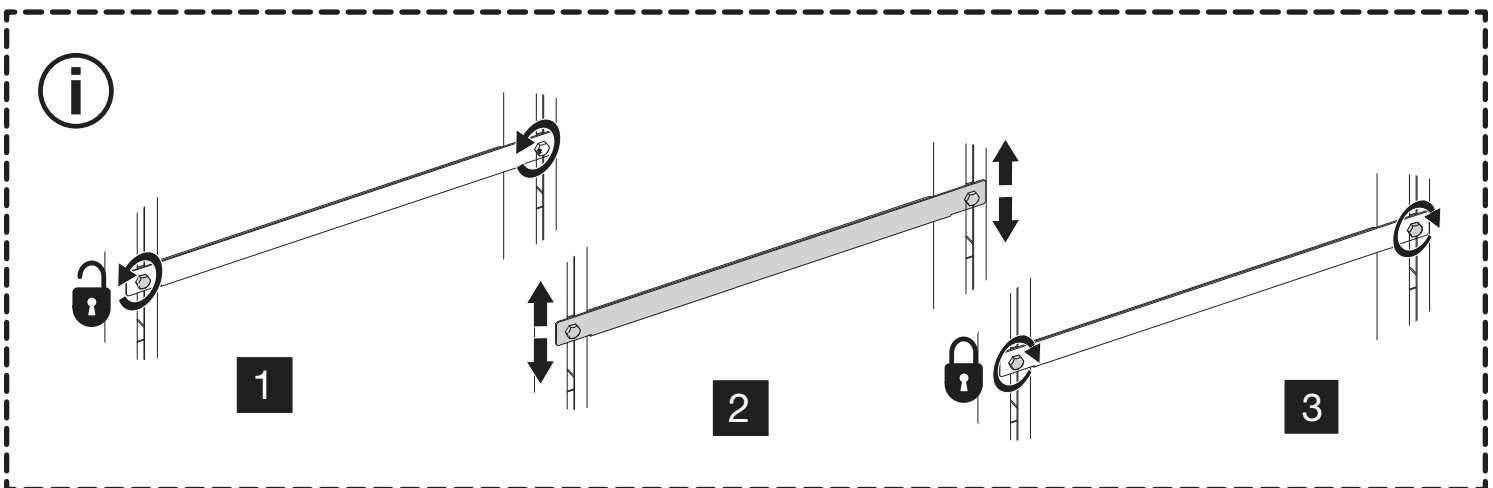
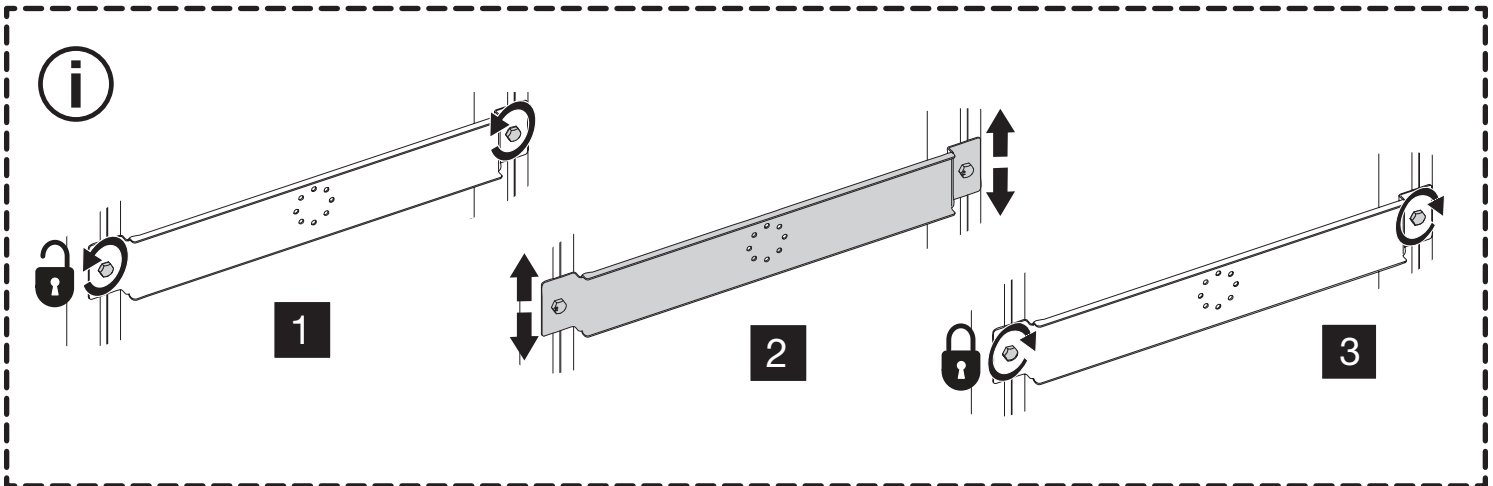
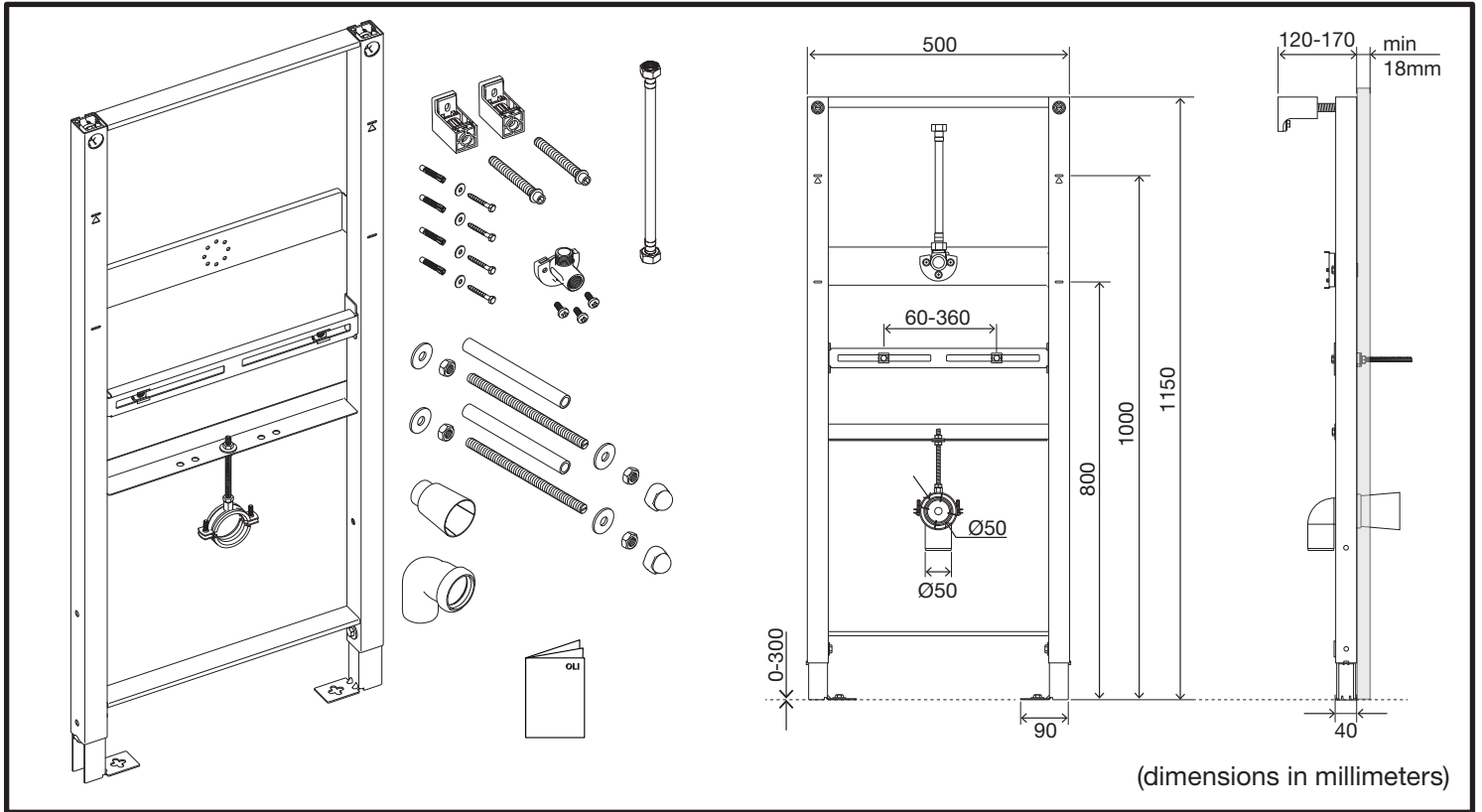
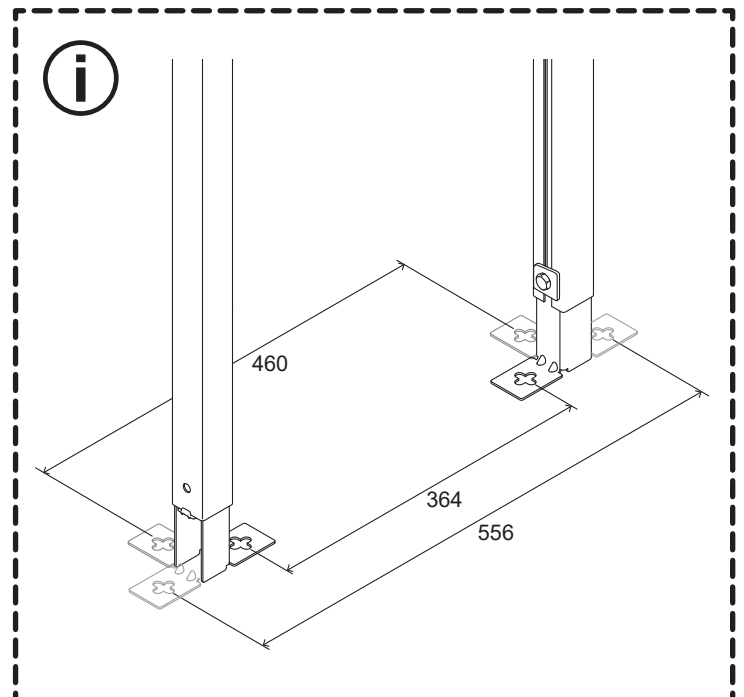
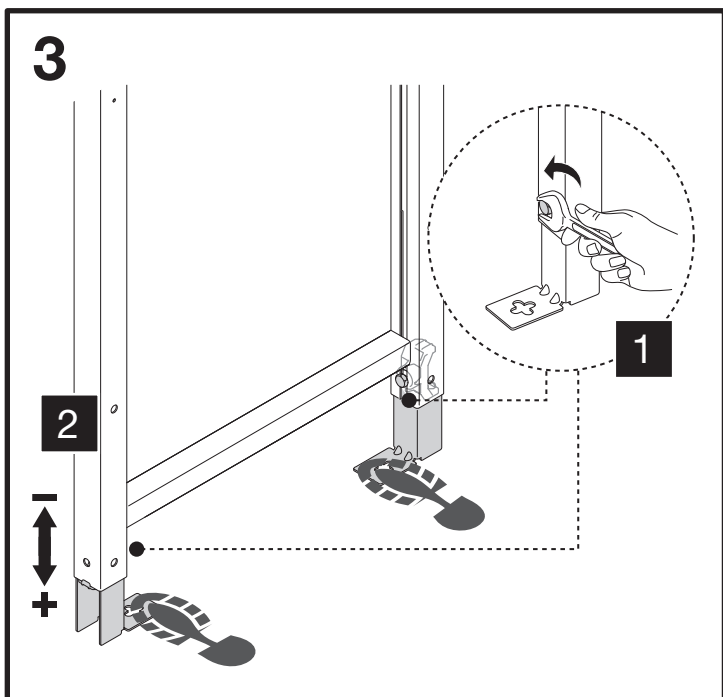
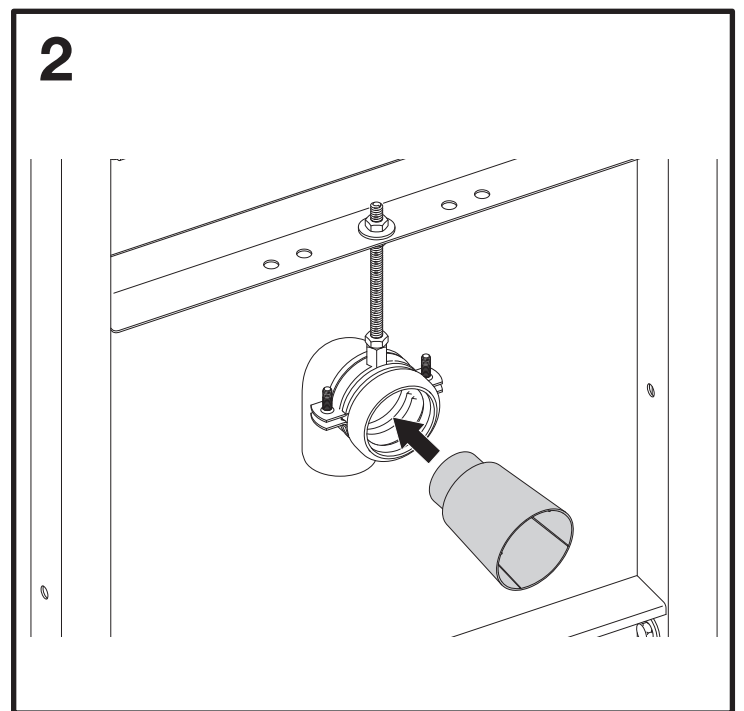
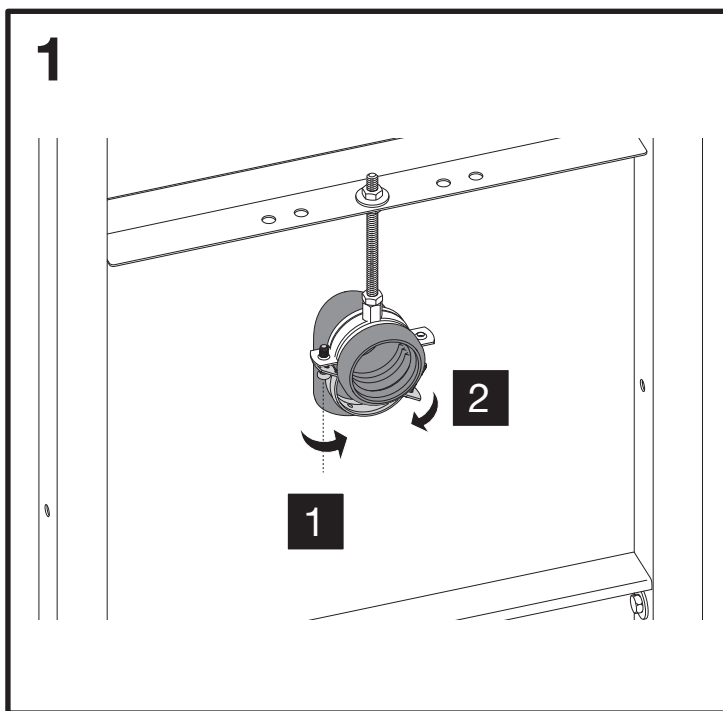
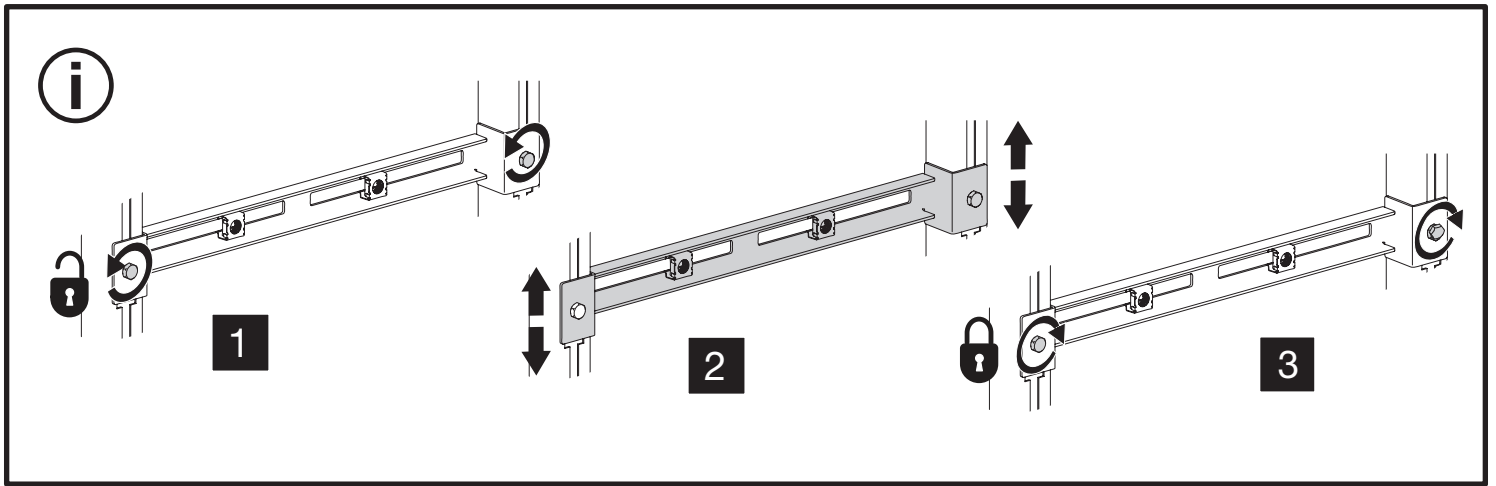
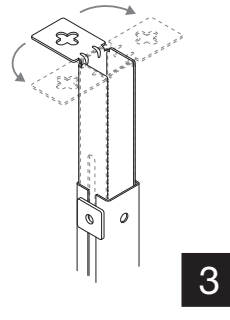
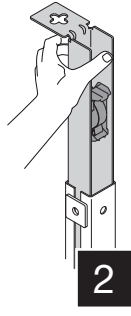
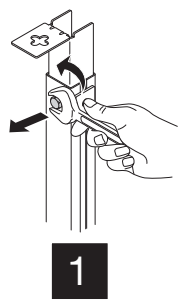


# URINAL

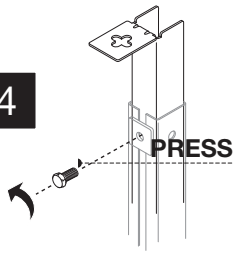
SANITARBLOCK







4



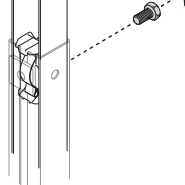
PRESS

or

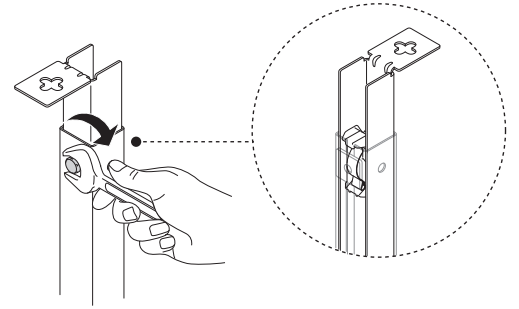


5

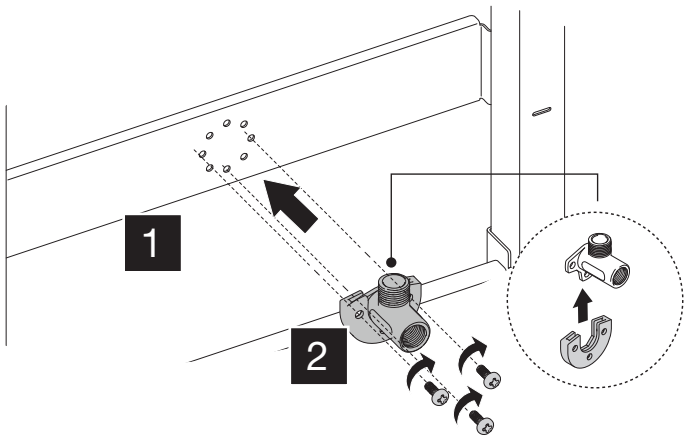
or



6



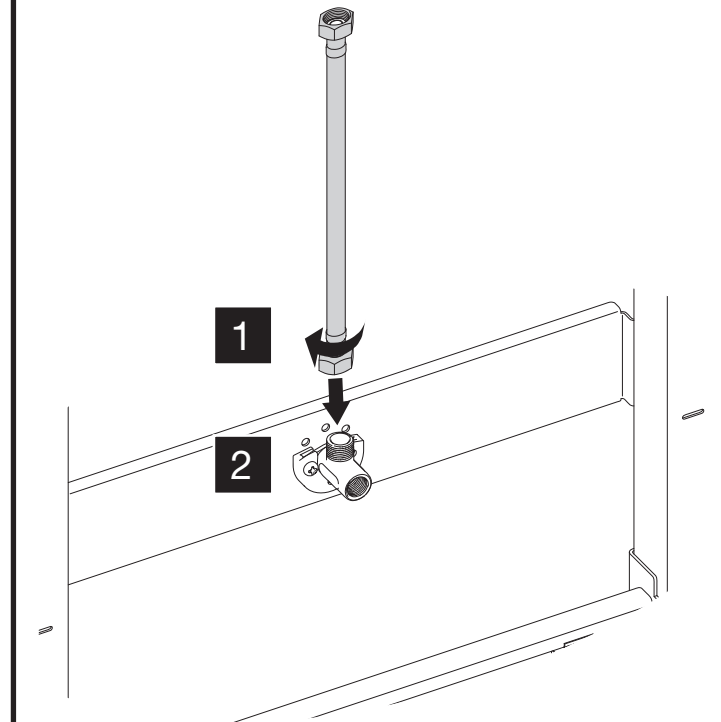
5



1

2

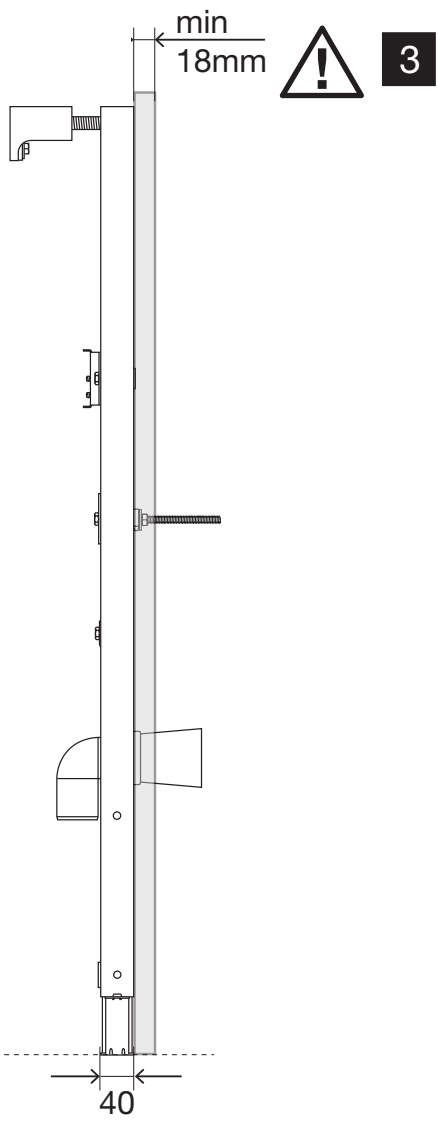
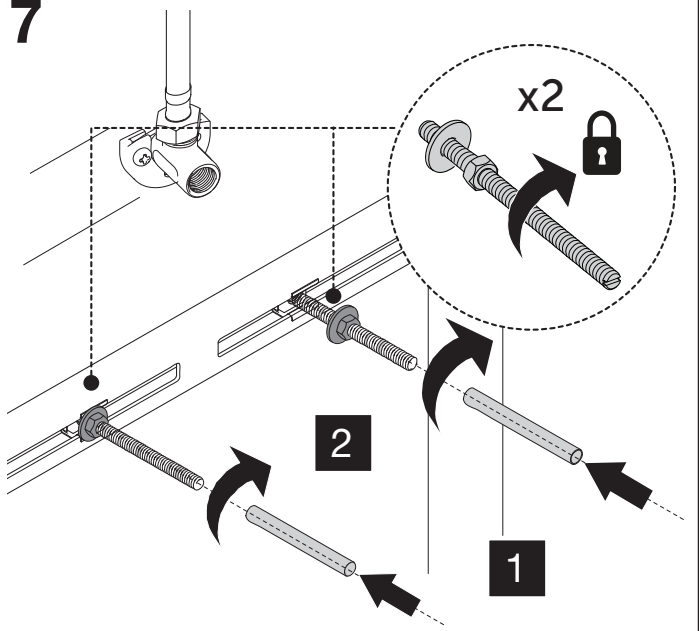
6



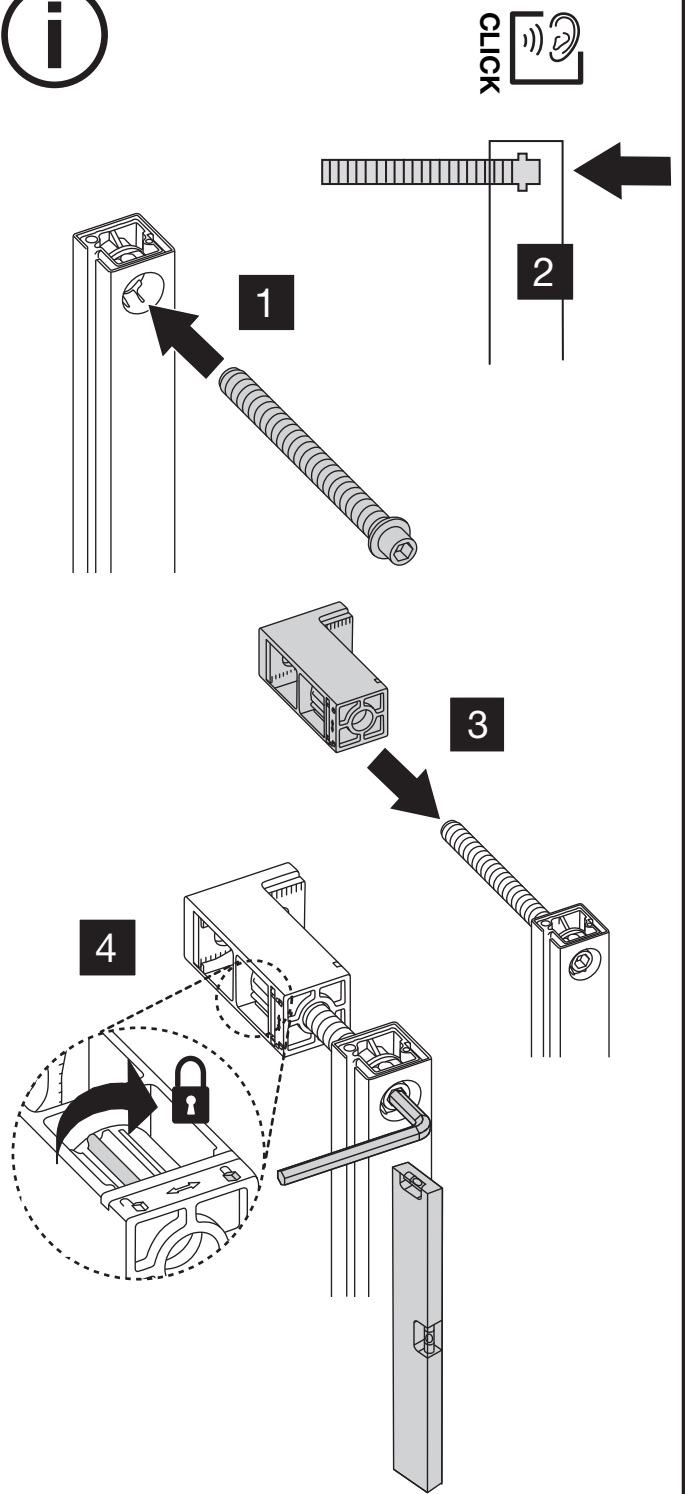
1

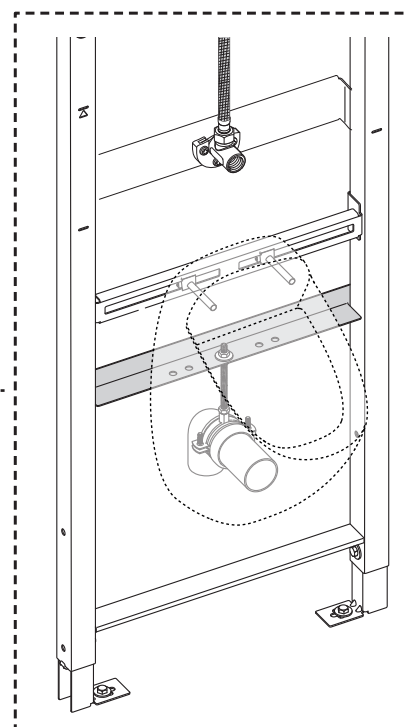
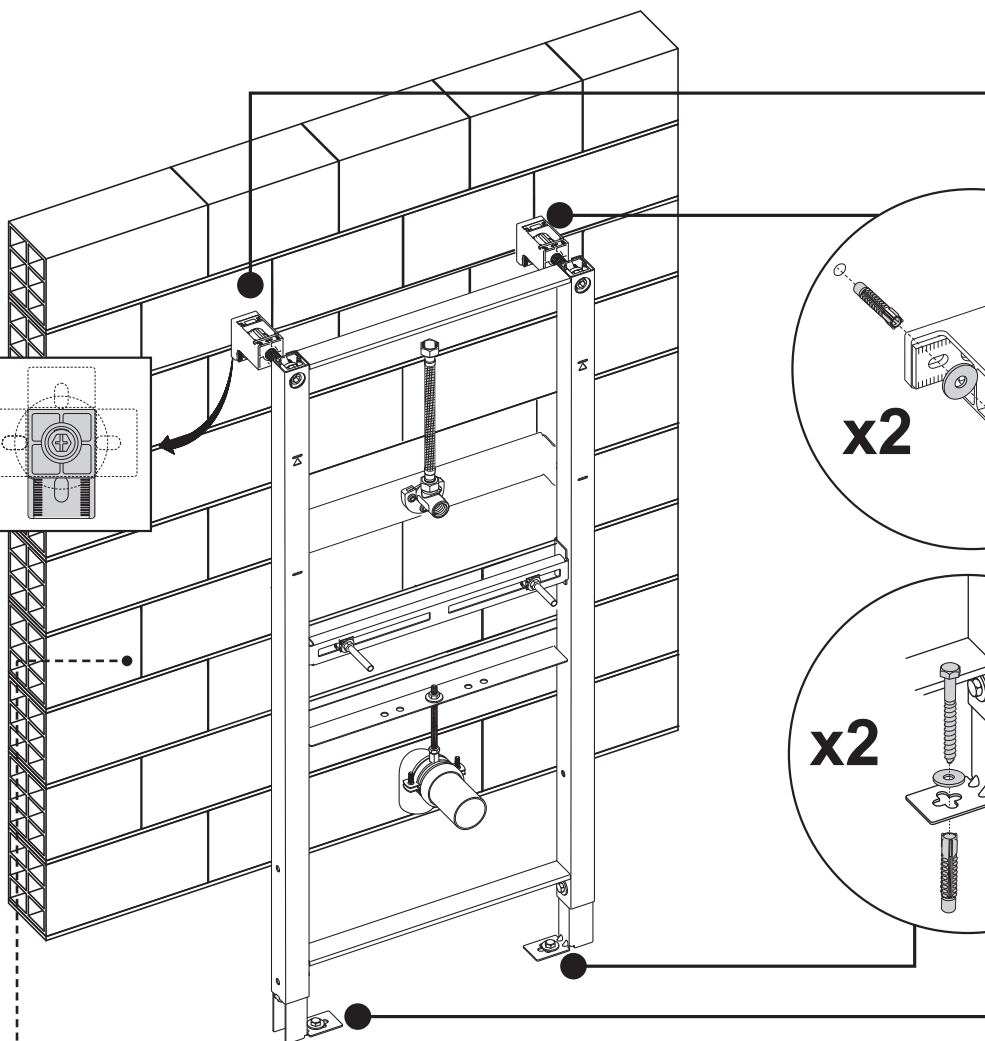
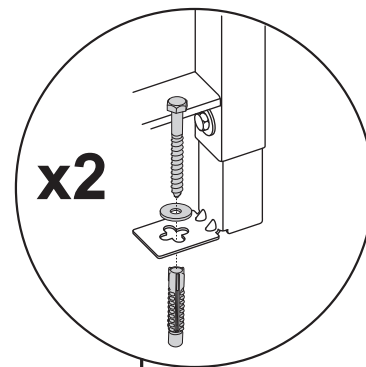
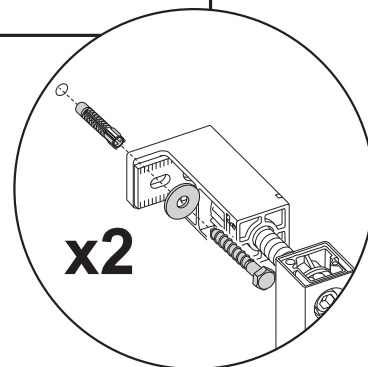
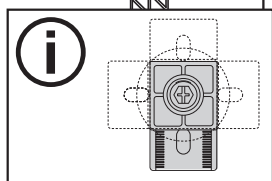
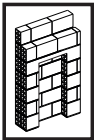
2

7

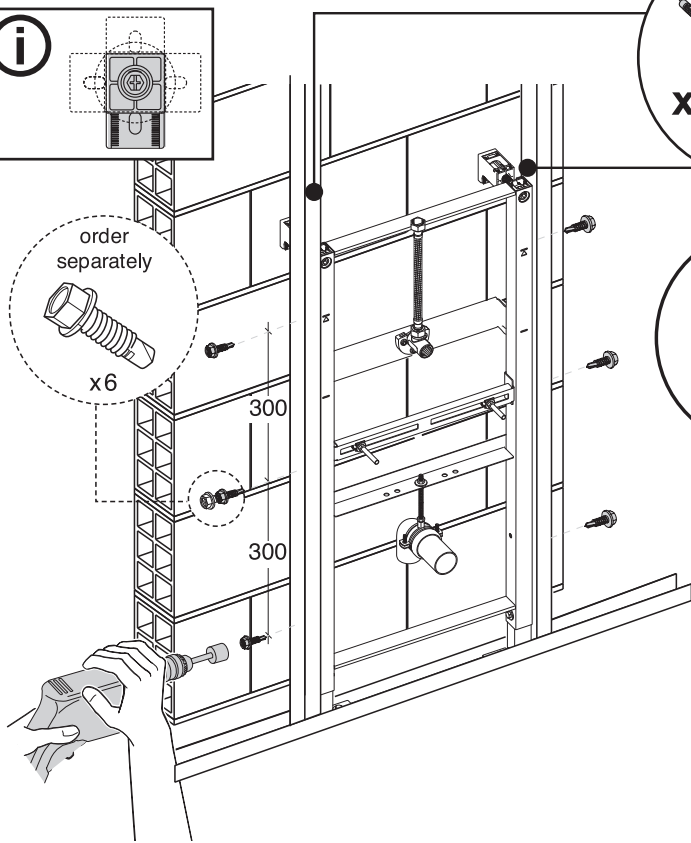
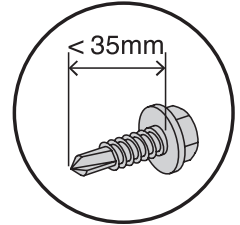
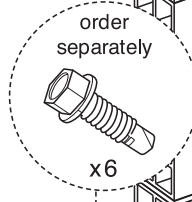
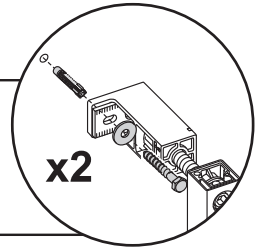
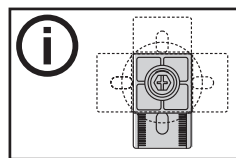
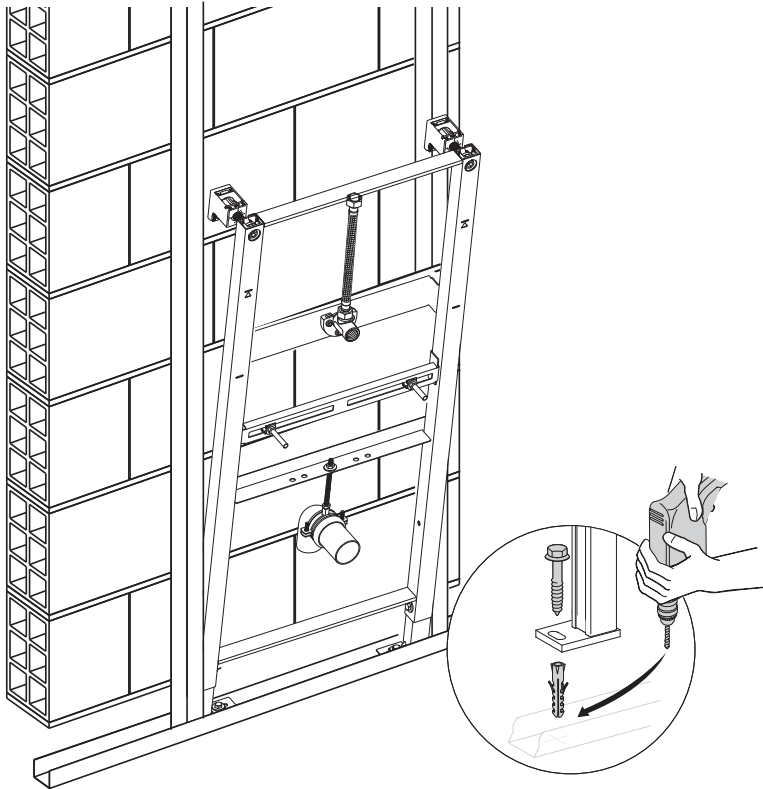
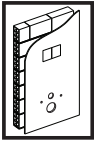


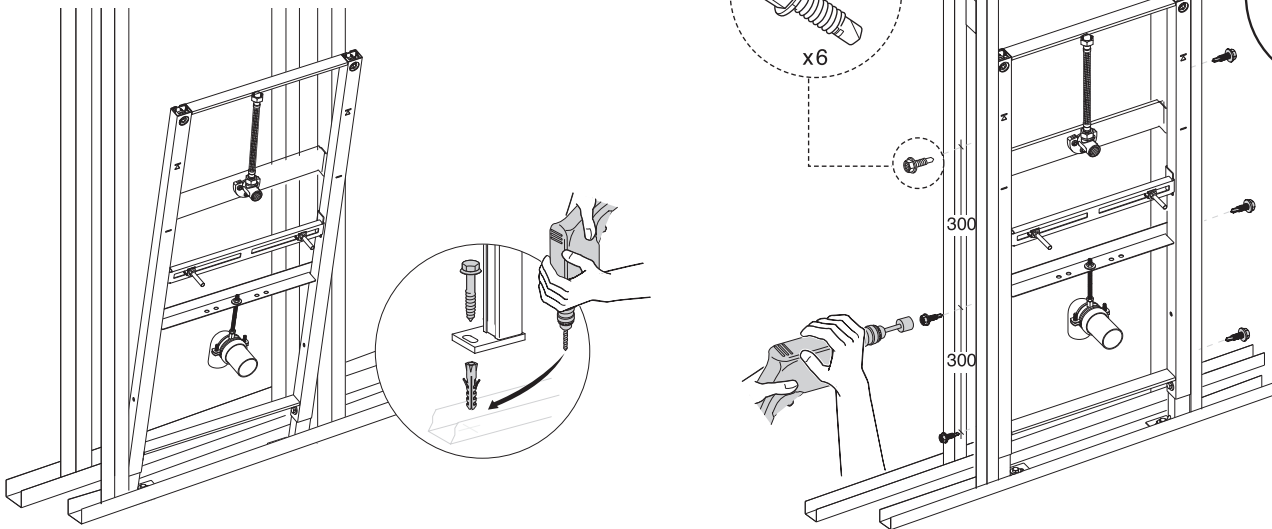
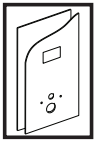
i





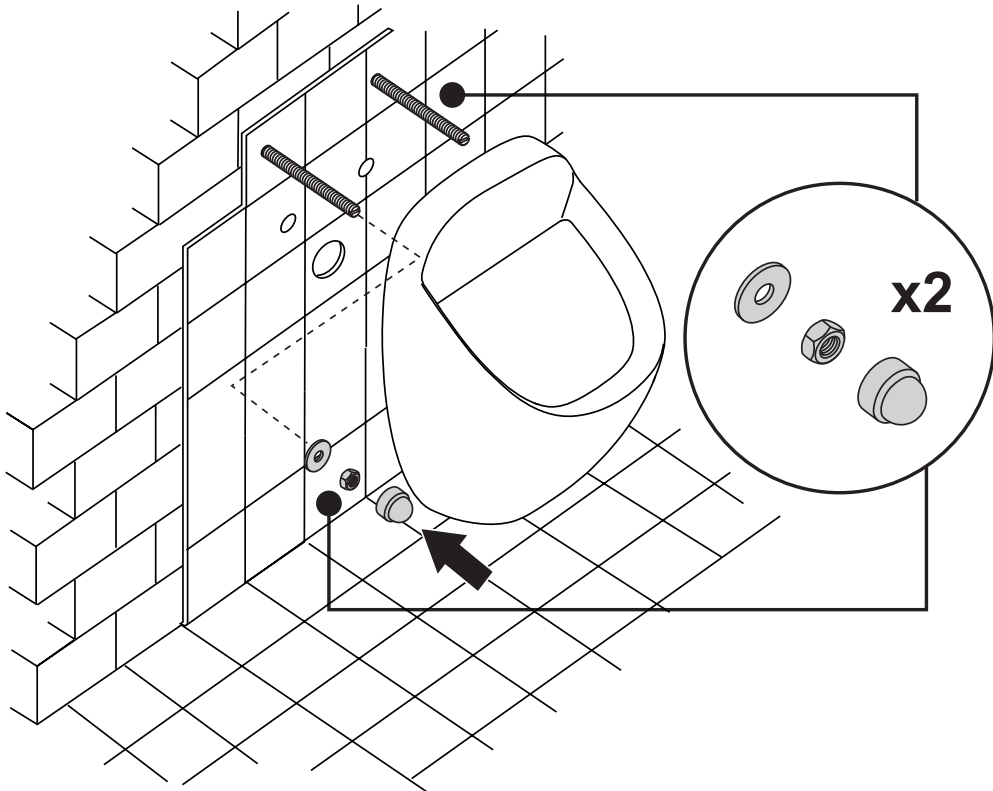
CHECK





order  
separately  
x6

< 35mm



x2



[www.oli-world.com](http://www.oli-world.com)

[comercial@oli-world.com](mailto:comercial@oli-world.com) | [info@olisrl.it](mailto:info@olisrl.it)