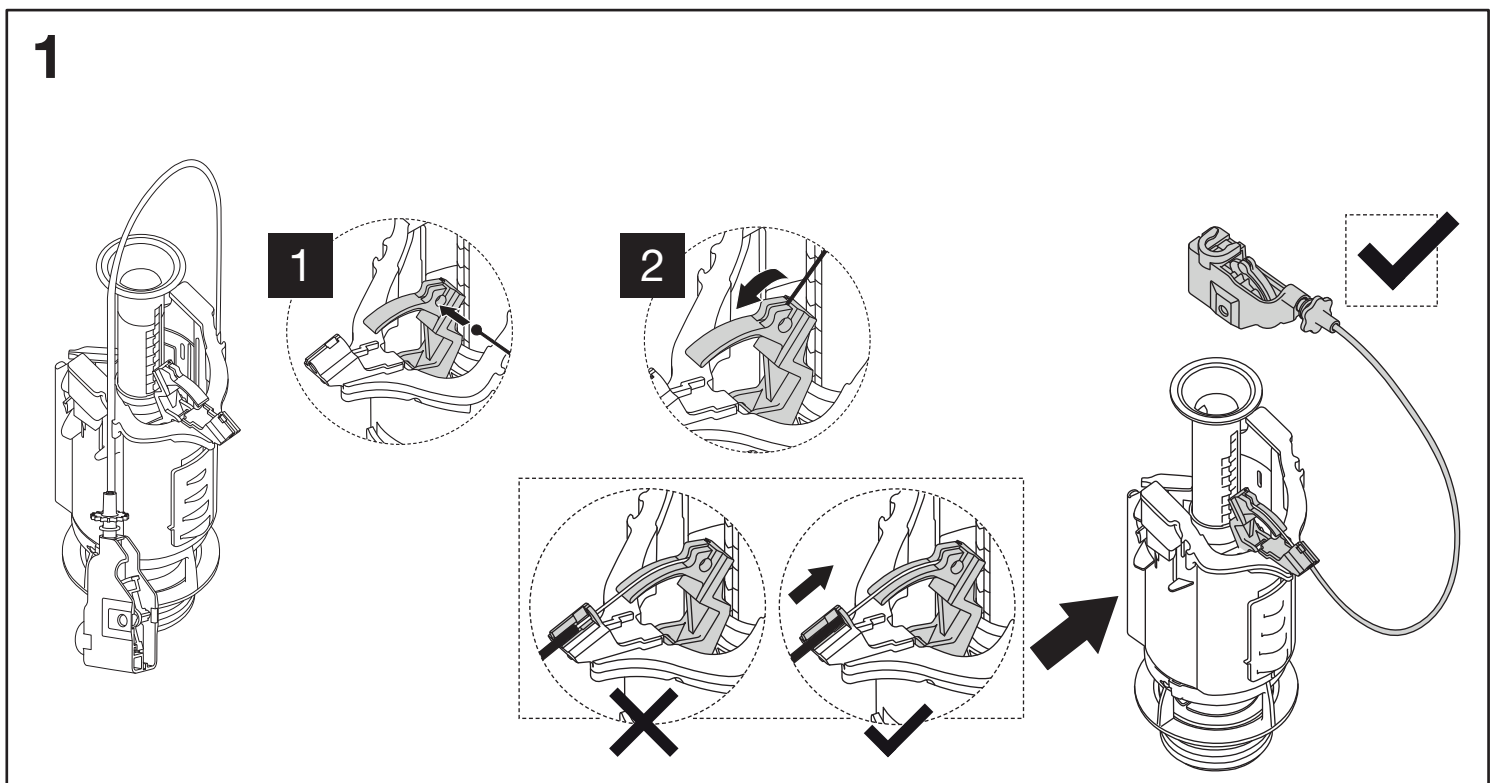
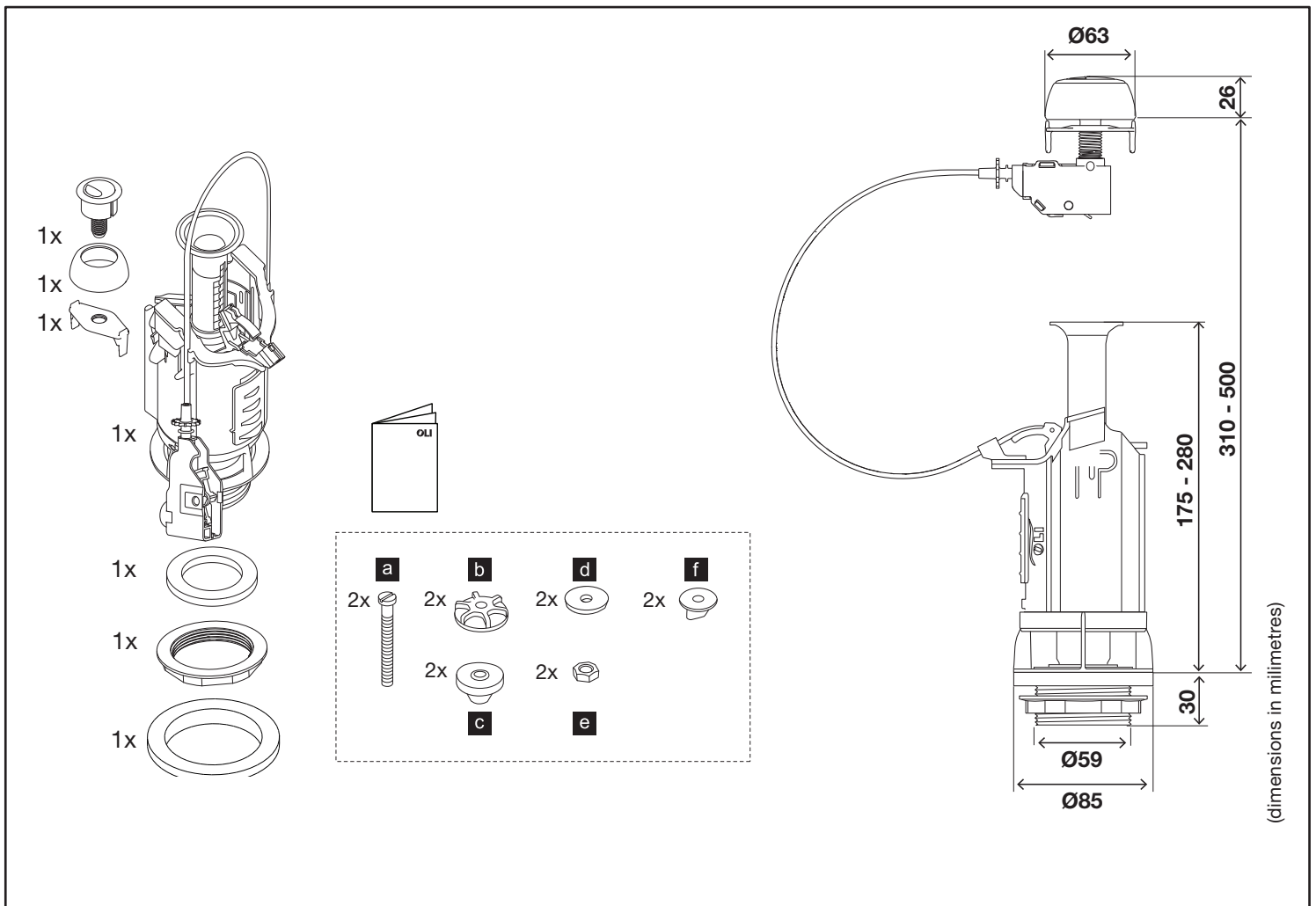
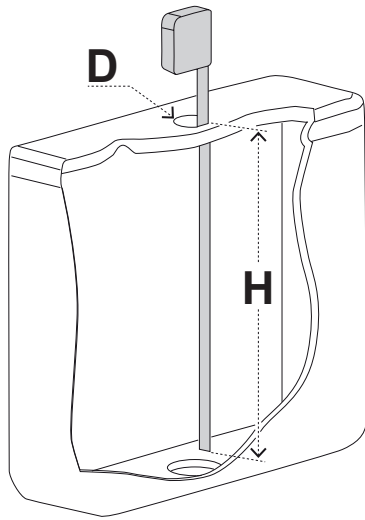


# ATLAS CABLE

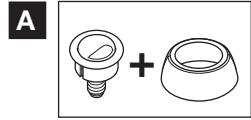
OUTLET VALVE



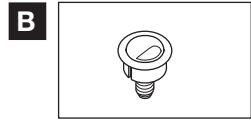
**i**



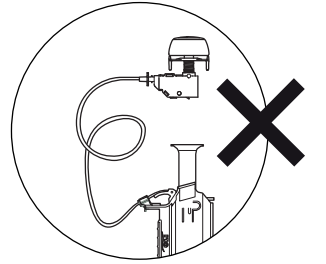
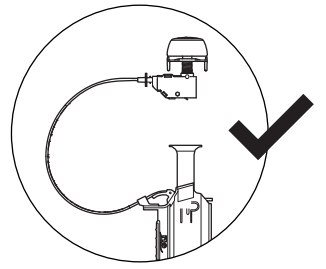
H = MIN. = 310 mm  
MAX. = 500 mm



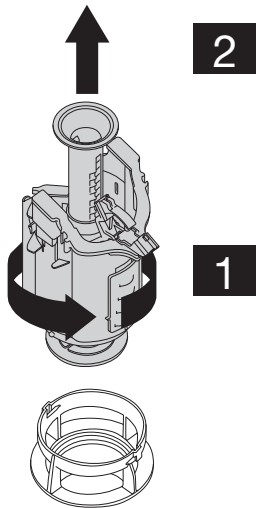
D = Ø16 at 38 mm  
Ø46 at 60 mm



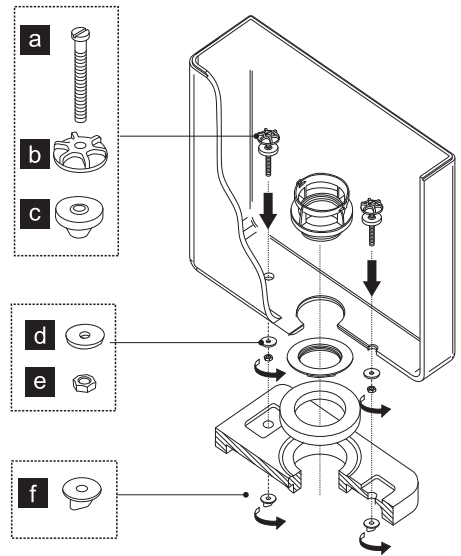
D = Ø38 at 45 mm



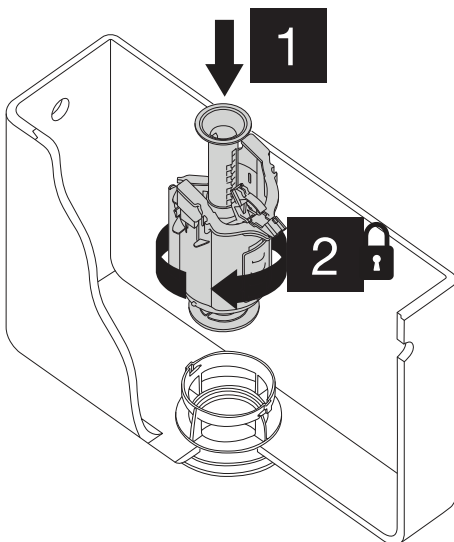
**2**



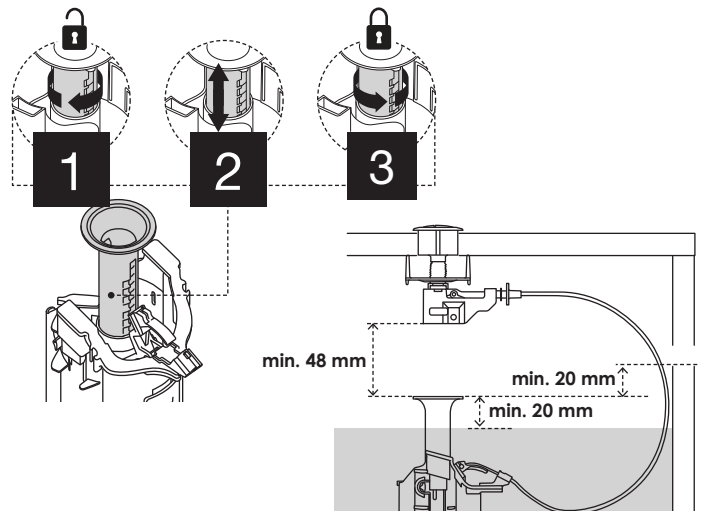
**3**



**4**

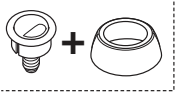


**5**

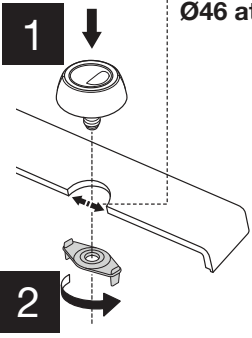


6

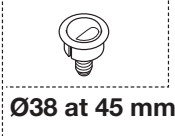
A



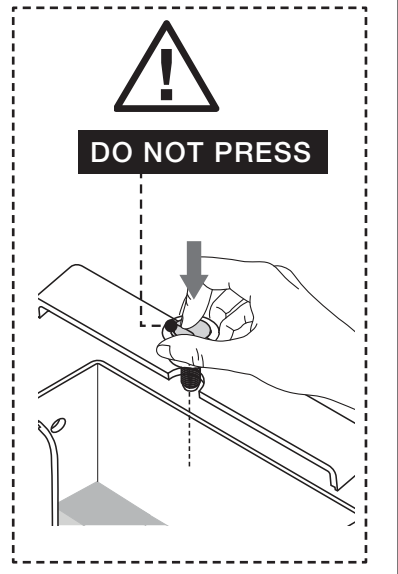
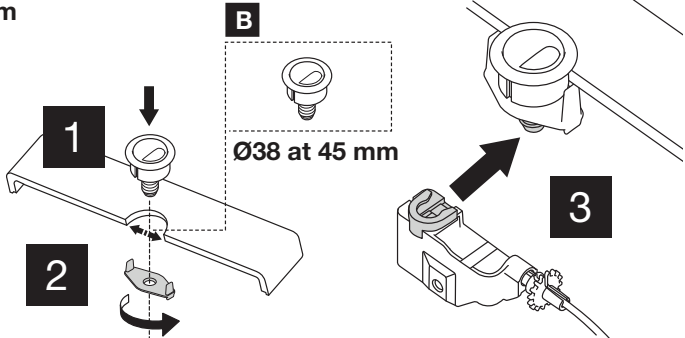
Ø16 at 38 mm  
Ø46 at 60 mm



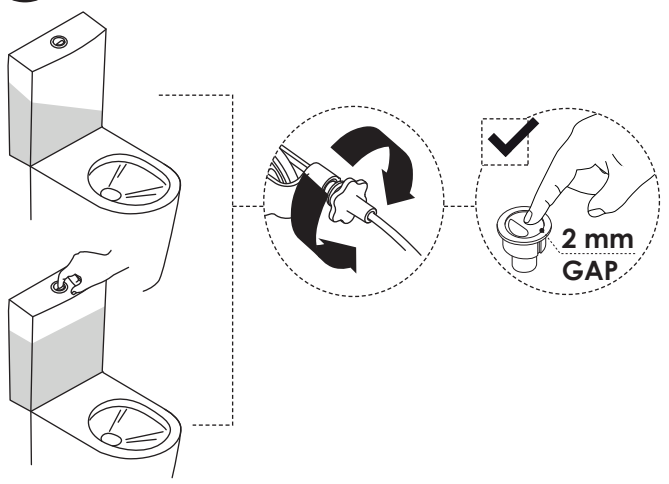
B



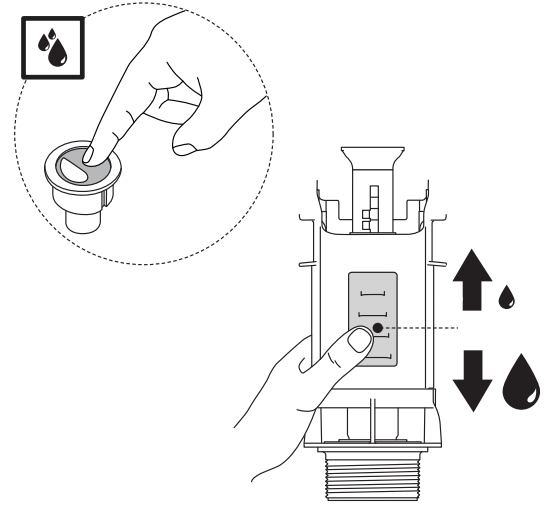
Ø38 at 45 mm



i



i



i

