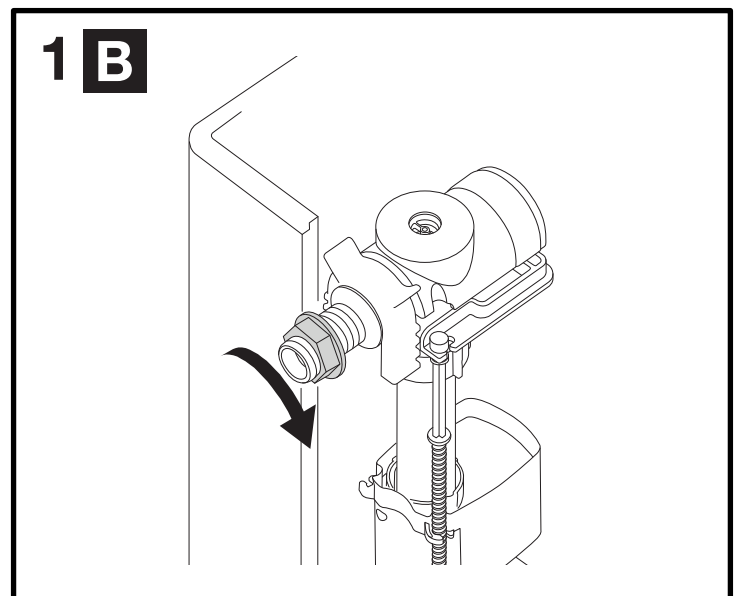
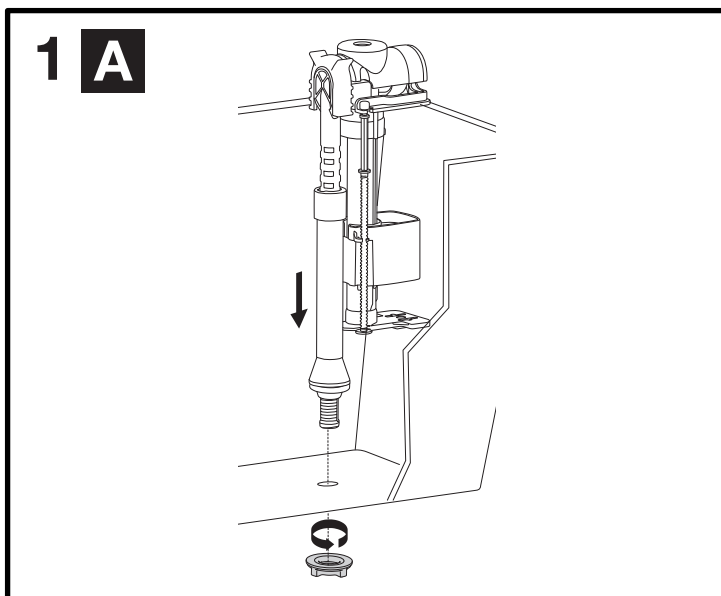
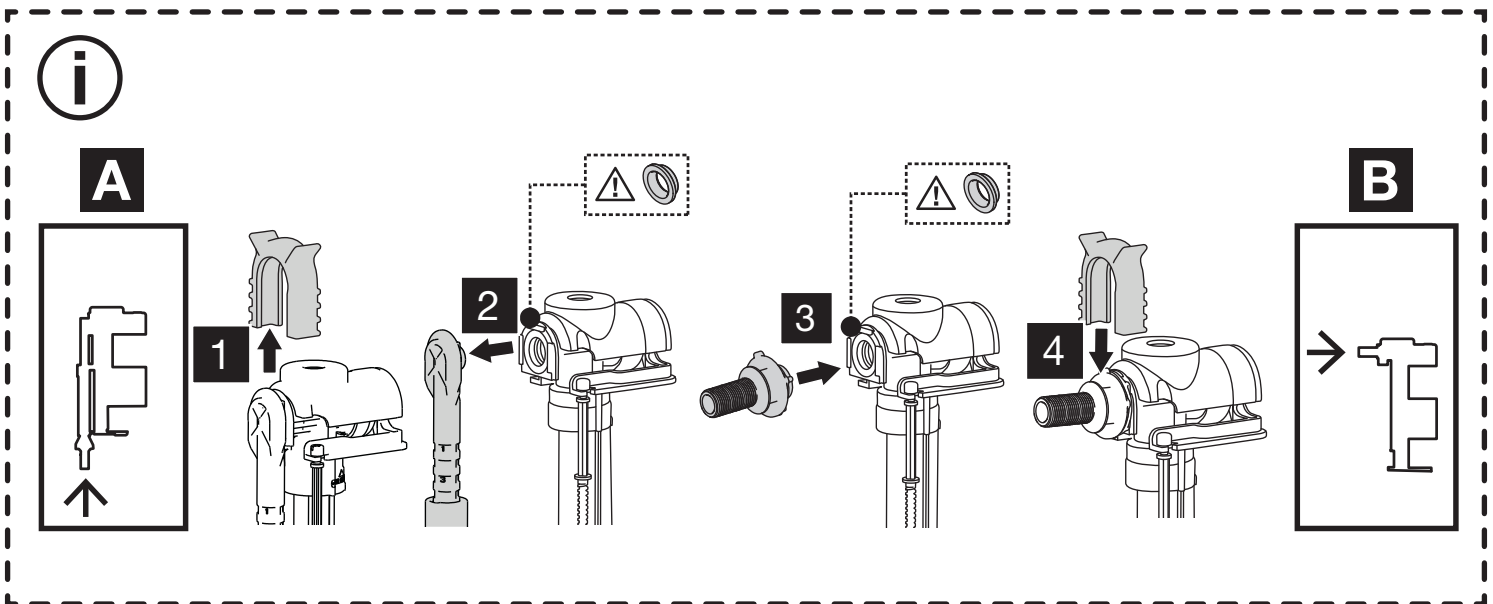
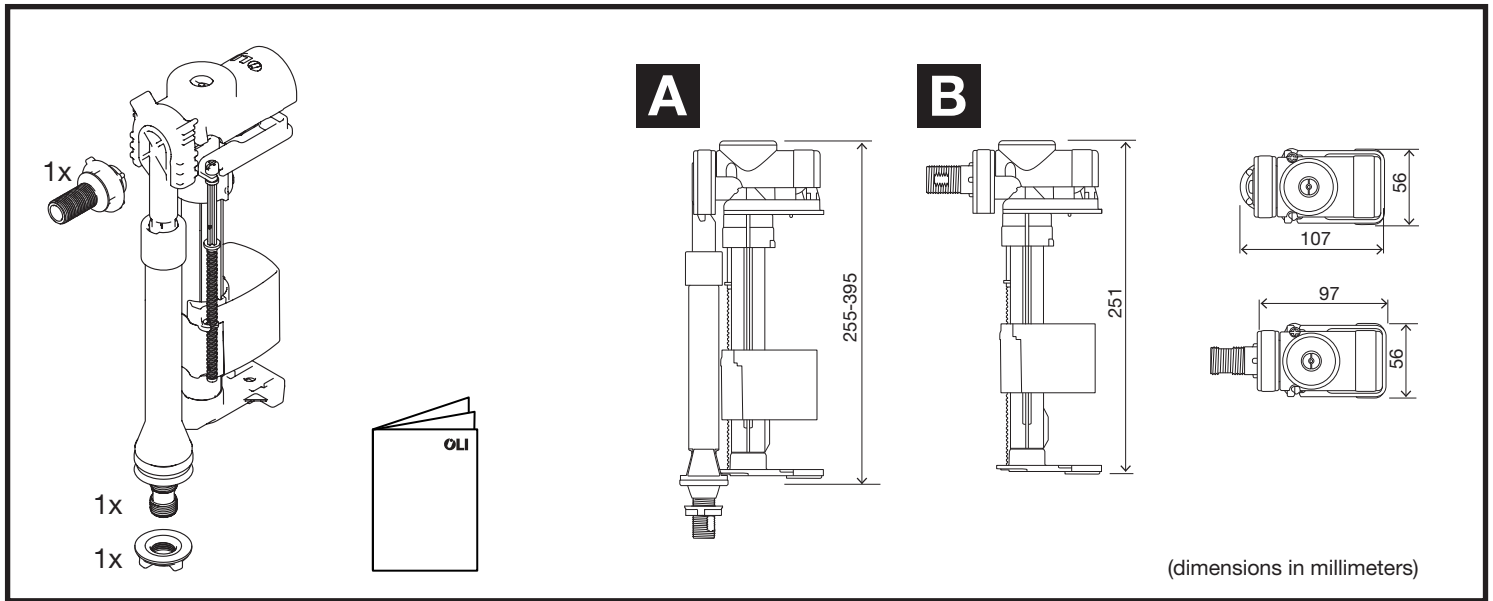


# AZOR SILENT 2 IN 1

## INFERIOR AND LATERAL INLET VALVE CONNECTION



# 2 A

