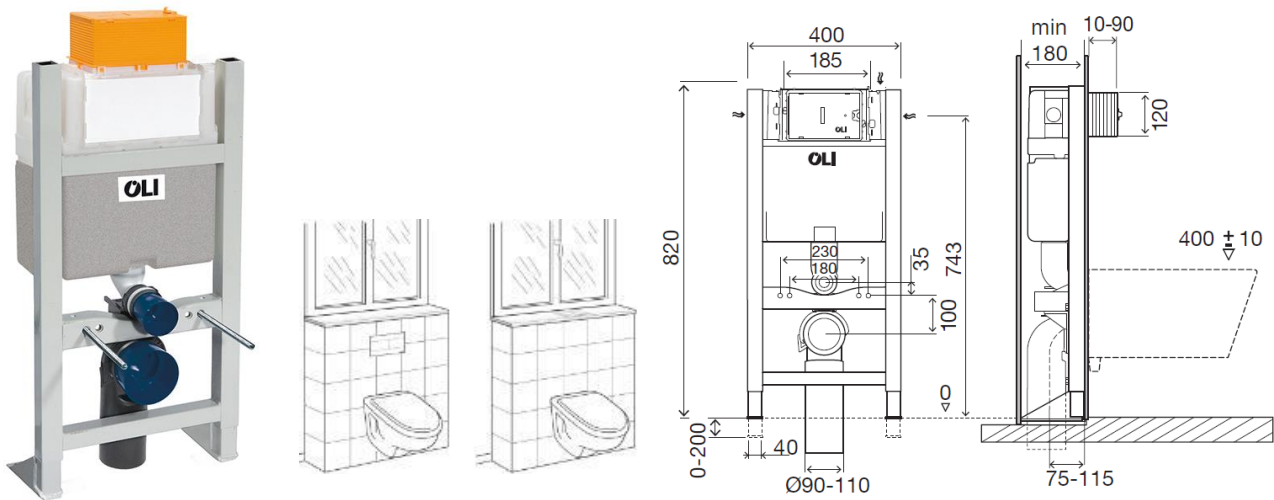


Technical Sheet

Expert Plus Pneumatic Free Standing 820



Product Identification

048375

- Expert Plus Pneumatic Free Standing 820

Definition and Application

- Preassembled structure to be secured to the floor only for the installation of wall-hung pans inside light walls
- Compatible with all wall-hung WC pans
- Top or front activation/access

Technical Features

Structure

- Metal with 820mm, with 1,5mm thickness and corrosion resistant
- Height adjustable from 0 to 200mm
- Depth adjustable outlet bend
- Tested for 400kg load

Millimetres measure

Cistern

- Dual flush in-wall cistern compatible with either dual or single flush actuators 6/3 litres (adjustable to 4/2 and 7/3)
- 150mm thickness
- Pneumatic actuation
- Working pressure from 0,1 to 16 bar
- Resistance to atmospheric humidity (Hr <90%).
- Polypropylene cistern highly resistable and inalterable to thermal stress
- Lower/under bench installation possibility
- Other versions compliant with: WRAS/SAI-WATERMARK/NF/BELGAQUA standards
- EN 14055 marking CL1
- Equipped with Azor Plus Inlet Valve, with delayed refilling (saves up to 9 litres of water per day) and silent according to the NF standard category Class I
- Supplied with anti-condensation lining
- "A" class for the Water Efficiency in compliance with the ANQIP Authority requirements
- Possibility to put pneumatic actuation 2,5 meters from the cistern

Accessories

- 1 Discharge pipe \varnothing 90 x 250
- 1 Seal for discharge pipe \varnothing 125
- 1 Connecting pipe \varnothing 45 x 180
- 1 Pan rubber seal \varnothing 45
- 1 Protective box
- 1 G 1/2" stop valve
- 1 Protection sponge for the stop valve
- 1 Flush bend \varnothing 90 / 90 L230
- 1 Protection pipe \varnothing 90
- 1 Adaptor pipe \varnothing 90/110

Fixing accessories for wall structure:

- 4 Bushing for metal structure

Fixing accessories for toilet bowl mounting on the structure

- 2 Threaded rods M12
- 2 Protection for threaded rod
- 2 Protection cover
- 2 Washers for WC pan fixation
- 2 Nuts M12
- 2 Washers \varnothing 34

Warranty

- Ten (10) years warranty according to the general selling terms, starting from the purchase date of the product.
- If the product is not correctly installed the warranty is not valid

Observations

There are available similar products. For more information please consult our Sanitary Installation Systems catalogue or our site www.oli-world.com