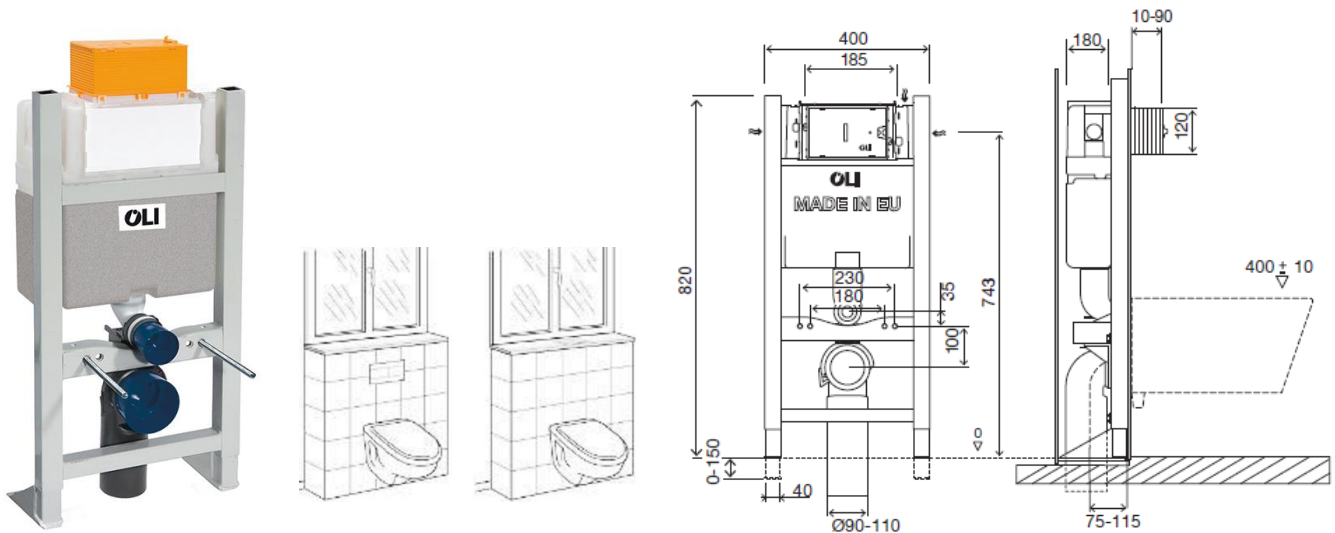


Technical Sheet

Expert Plus Mechanic Free Standing 820



Product Identification

014092

- Expert Plus Mechanic Free Standing 820

Definition and Application

- Preassembled structure to be secured to the floor only for the installation of wall-hung pans inside light walls
- Compatible with all wall-hung WC pans
- Top or front activation/access

Technical Features

Structure

- Metal with 820mm, with 1,5mm thickness and corrosion resistant
- Height adjustable from 0 to 150mm
- Depth adjustable outlet bend
- Tested for 400kg load

Cistern

- Dual flush in wall cistern compatible with either dual or single flush actuators 6/3 liters (adjustable to 4/2 or 7/3 liters)
- Mechanic actuation
- Pneumatic Kit available
- Working pressure from 0,1 to 16 bar
- Resistance to atmospheric humidity (Hr <90%).
- Polypropylene cistern highly resistable and inalterable to thermal stress
- Lower/under bench installation possibility
- Certified cistern according NF, SINTEF and WRAS
- CE EN 14055 marking CL1
- Equipped with Azor Plus Inlet Valve, with delayed refilling (saves up to 9 litres of water per day) and silent according to the NF standard category Class I
- Supplied with anti-condensation lining
- %A+ class for the Water Efficiency in compliance with the ANQIP Authority requirements

Millimetres measure

Accessories

- 1 Discharge pipe \varnothing 90 x 250
- 1 Seal for discharge pipe \varnothing 125
- 1 Connecting pipe \varnothing 45 x 180
- 1 Pan rubber seal \varnothing 45
- 1 Protective box
- 1 G $\frac{1}{2}$ +stop valve
- 1 Protection sponge for the stop valve
- 1 Flush bend \varnothing 90 / 90 L230
- 1 Protection pipe \varnothing 90
- 1 Adaptor pipe \varnothing 90/110

Fixing accessories for floor structure

- 4 Bushing M10

Fixing accessories for toilet bowl mounting on the structure

- 2 Threaded rods M12
- 2 Protection for threaded rod
- 2 Protection cover
- 2 Washers for WC pan fixation
- 2 Nuts M12
- 2 Washers \varnothing 34

Warranty

For the terms of warranty please visit www.oli-world.com

Observations

There are available similar products. For more information please consult our Sanitary Installation Systems catalogue or our site www.oli-world.com