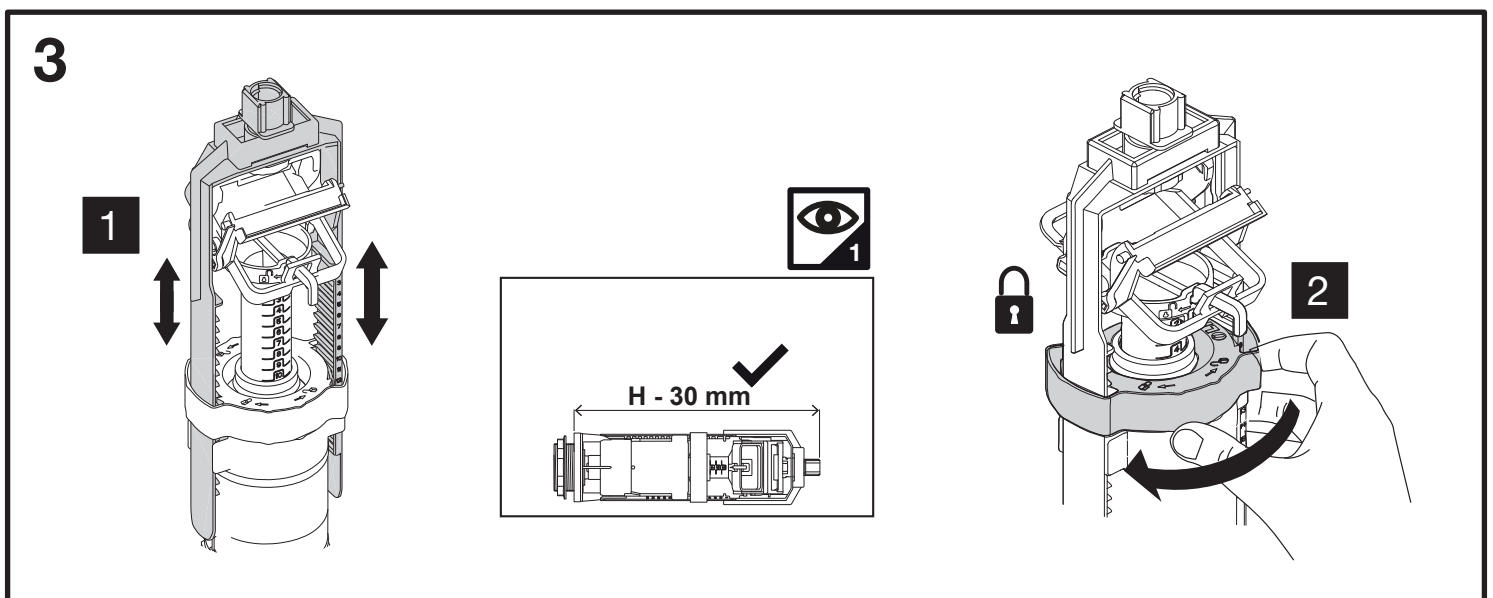
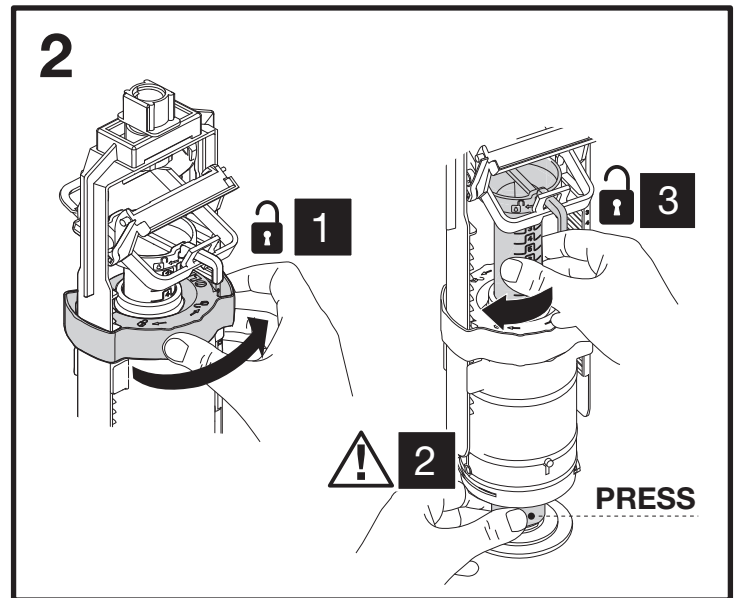
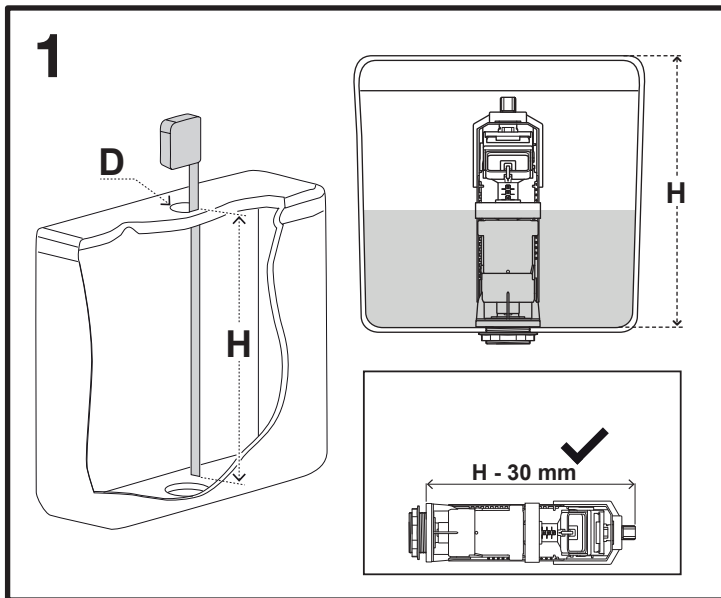
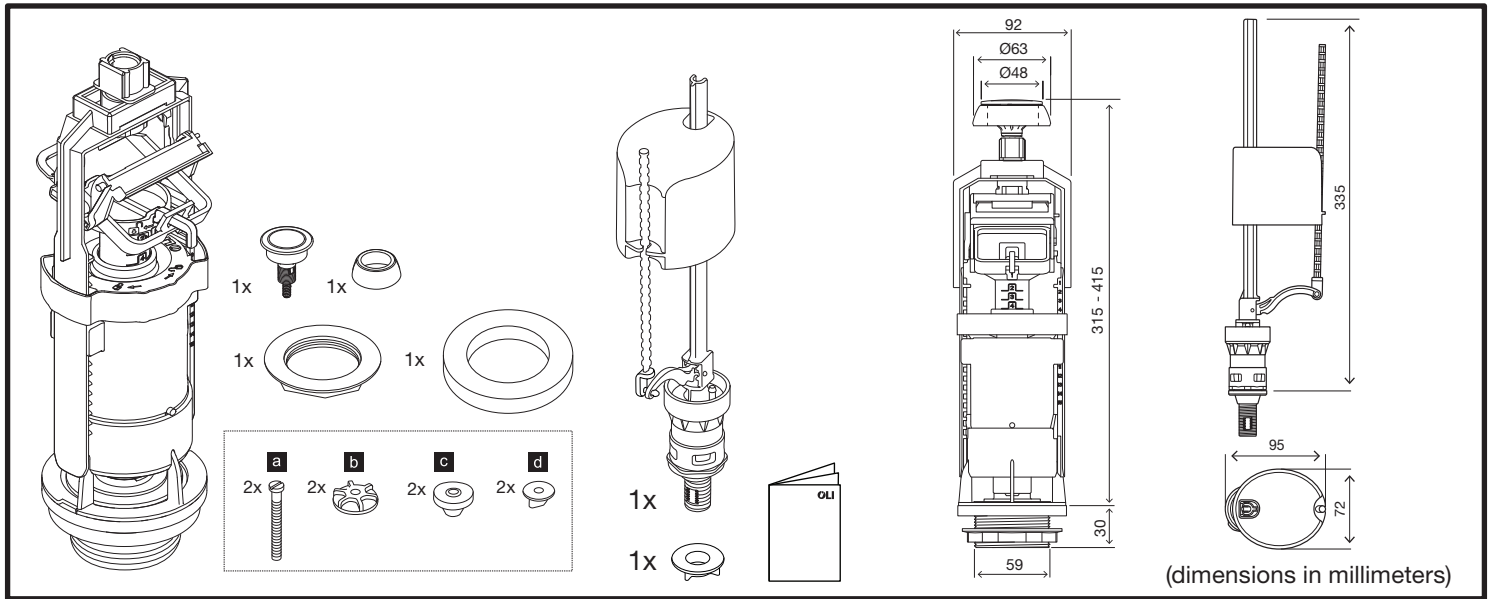
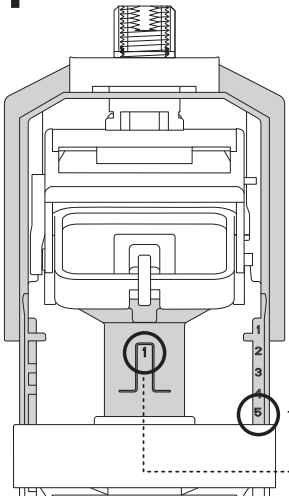


FAST START/STOP + UNI BOTTOM

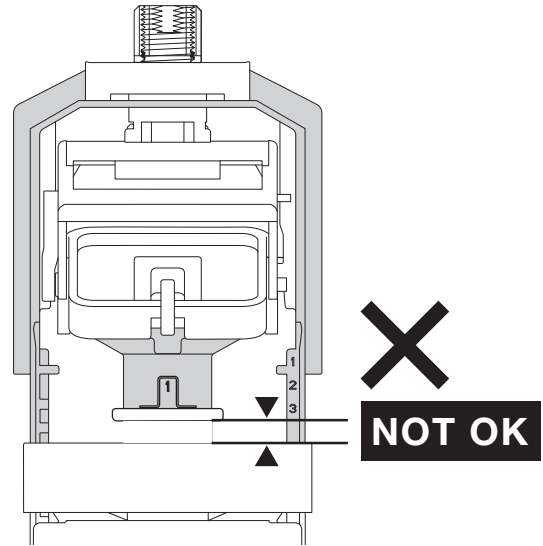
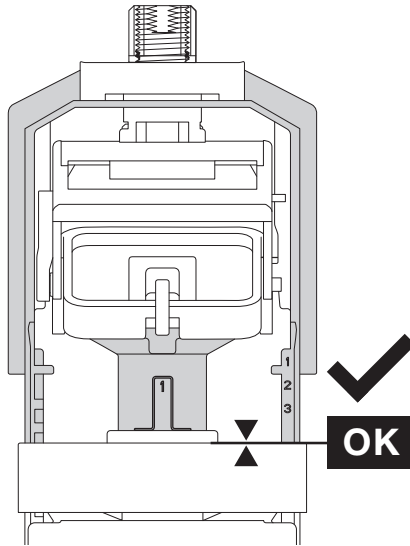
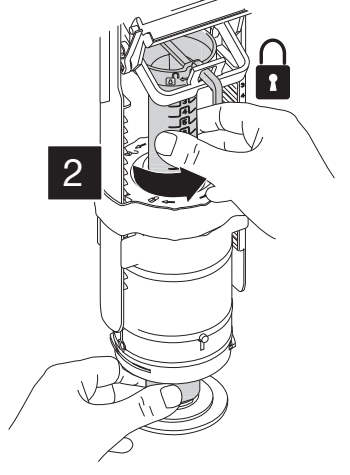
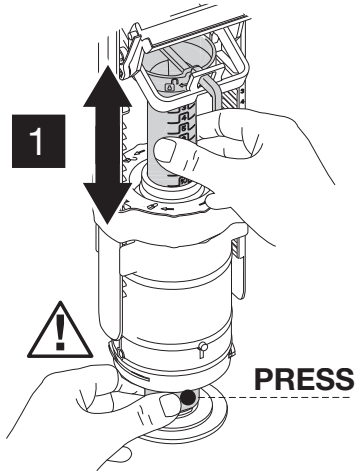
START/STOP FLUSH MECHANISM KIT, BOTTOM CONNECTION



4



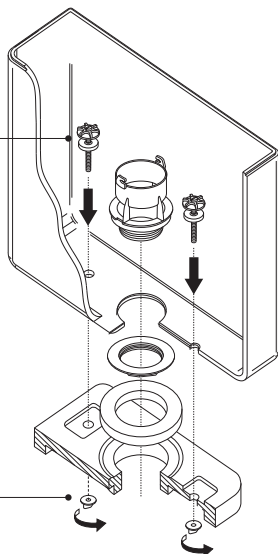
A	B
X	X-4
5	1
8	4



5

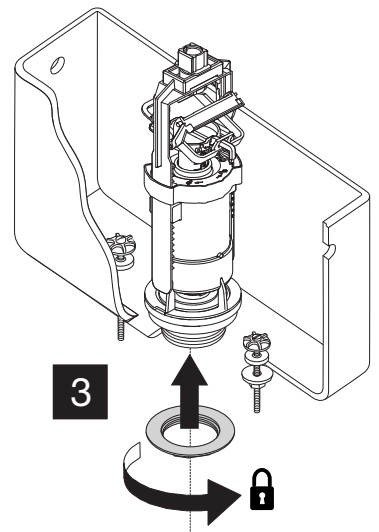
1

- a
- b
- c



2

- d



3

