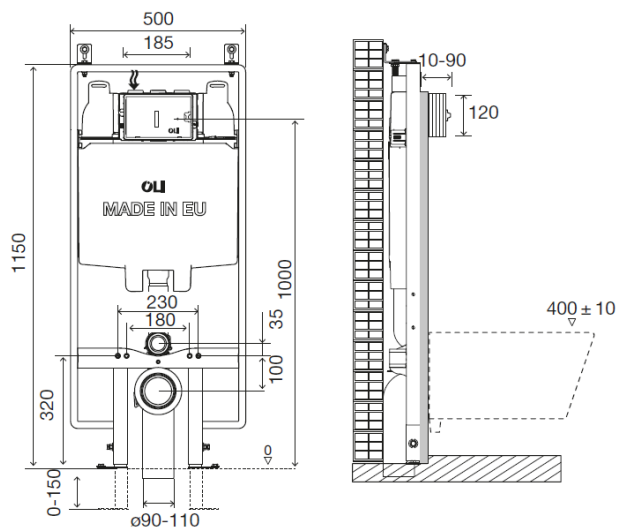


Ficha Técnica

OLI74 PLUS



Product Identification

187649

- OLI74 Plus Pneumatic S90 Sanitarblock

Product Identification

- Preassembled structure for installation in front of masonry wall and finish in light wall, plasterboard wall or in technical support rail for light wall with thickness reduced (90mm).
- Compatible with all wall-hung WC pans.

Technical Features

Structure

- In painted tubular corrosion resistant
- Height regulation of the adjustable floor brackets (0-150 mm);
- Depth adjustable outlet bend
- Tested for 400kg load

Millimetros mesasures

Cistern

- Dual flush in-wall cistern compatible with either dual or single flush actuators 6/3 litres
- Pneumatic actuation
- Working pressure from 0,1 to 16 bar
- Resistance to atmospheric humidity (Hr <90%).
- Polypropylene (PP) cistern highly resistant and inalterable to thermal stress
- Other versions compliant with: WRAS/SAI-Watermark/UPC/KIWA standards
- EN 14055 marking CL1
- Equipped with Azor Plus Inlet Valve, with delayed refilling (saves up to 9 litres of water per day) and silent according to the NF standard category Class I
- Supplied with anti-condensation lining
- "A" class for the Water Efficiency in compliance with the ANQIP Authority requirements

Accessories

- 1 Discharge pipe \varnothing 90 x 250
- 1 Seal for discharge pipe \varnothing 125
- 1 Connecting pipe \varnothing 45 x 180
- 1 Pan rubber seal \varnothing 45
- 1 Protective box
- 1 G 1/2" stop valve
- 1 Protection sponge for the stop valve
- 1 Flush bend \varnothing 90 / 90 L230 L350
- 1 Outlet bend and \varnothing 90/110 adaptor
- 1 Flush pipe \varnothing 56 x 165
- 1 Protection pipe \varnothing 90
- 1 Protection pipe \varnothing 45

Fixing accessories for wall structure:

- 8 Galvanized screws M8x60
- 8 Galvanized washers M8 DIN 9021
- 4 Bushing for metal structure
- 4 Screws DIN933 M8 x 20
- 4 Washers DIN125 M8

Fixing accessories for toilet bowl mounting on the structure:

- 2 Threaded rods M12
- 2 Nuts M12
- 2 Protection for threaded rod
- 2 Protection cover
- 2 Toilet centring washer
- 2 Washers Zn \varnothing 34

Warranty

- Ten (10) years warranty according to the general selling terms, starting from the purchase date of the product.
- If the product is not correctly installed the warranty is not valid

Observations

There are available similar products. For more information please consult our Sanitary Installation Systems catalogue or our site www.oli-world.com