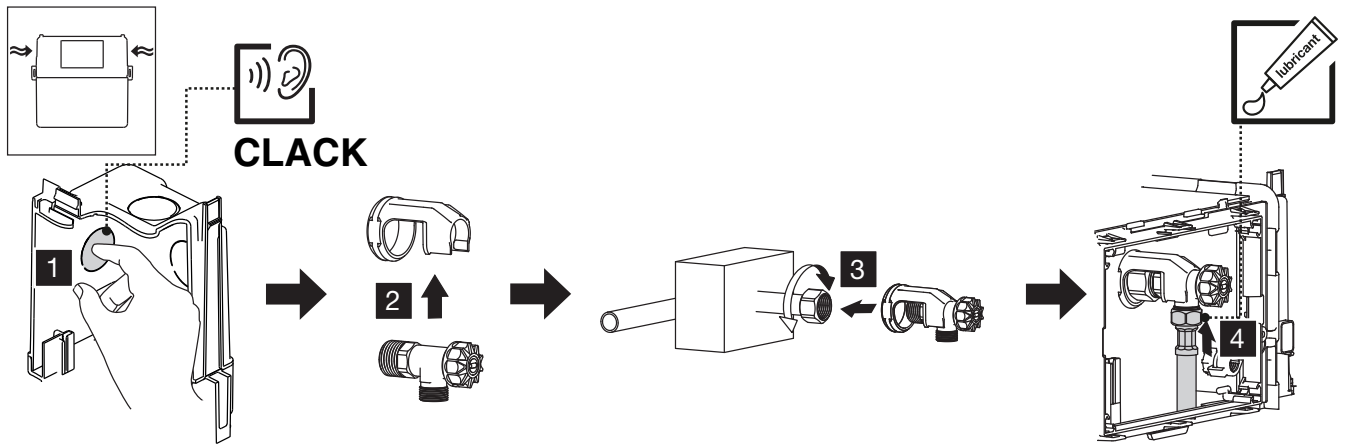
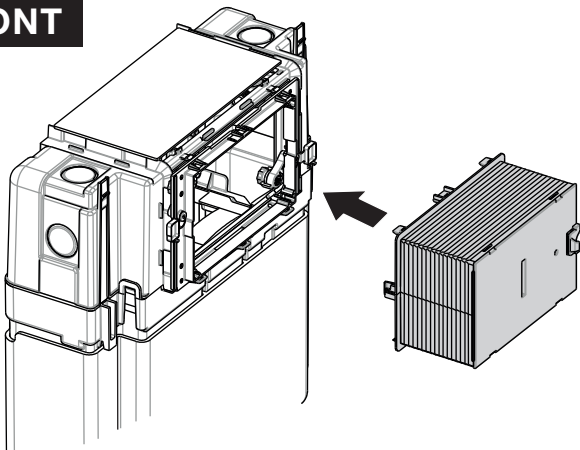


2B

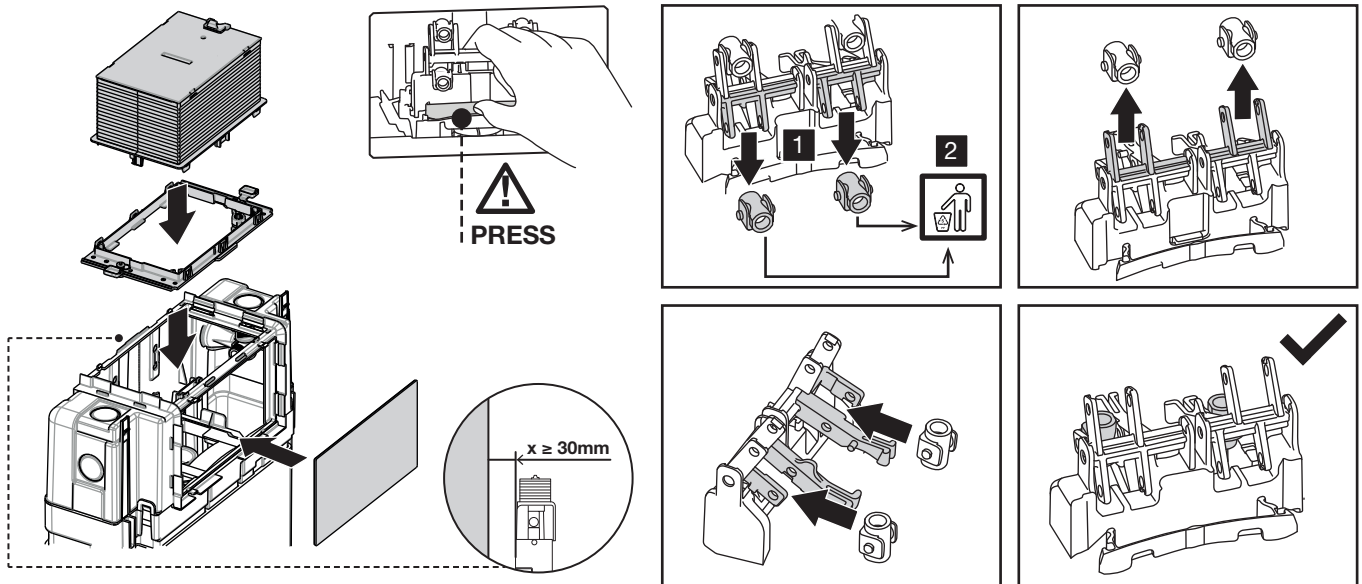


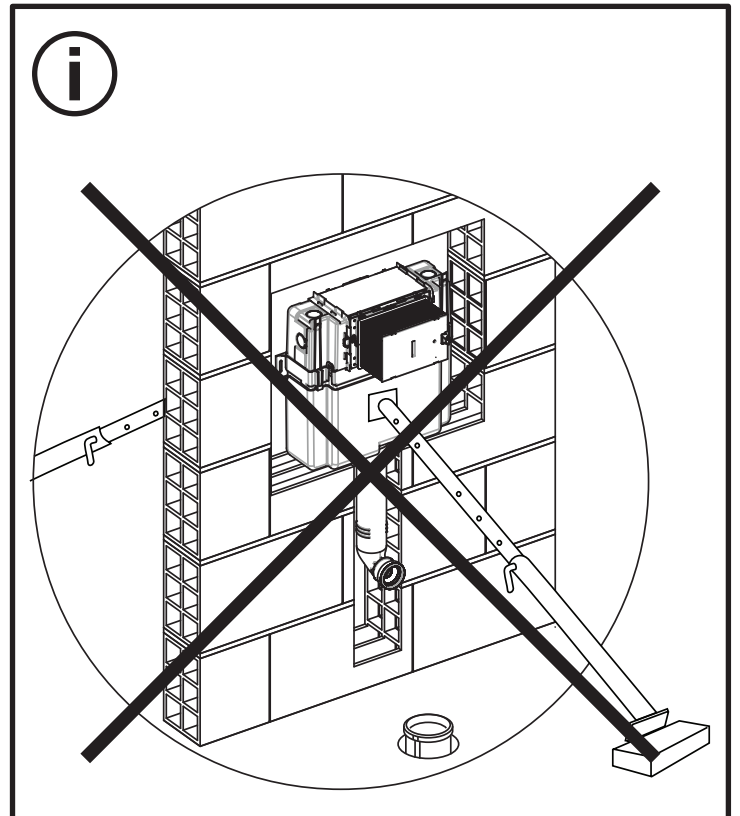
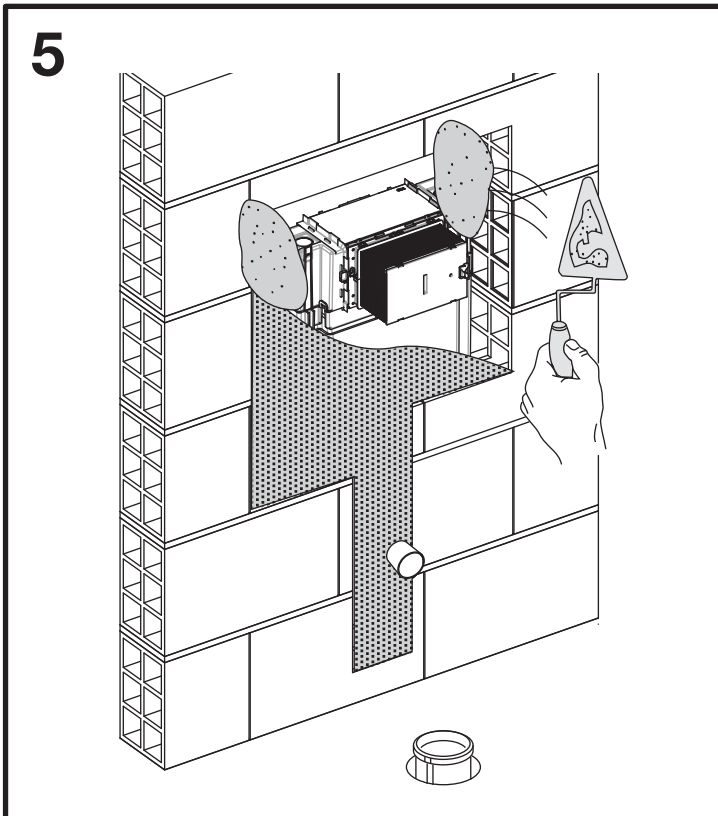
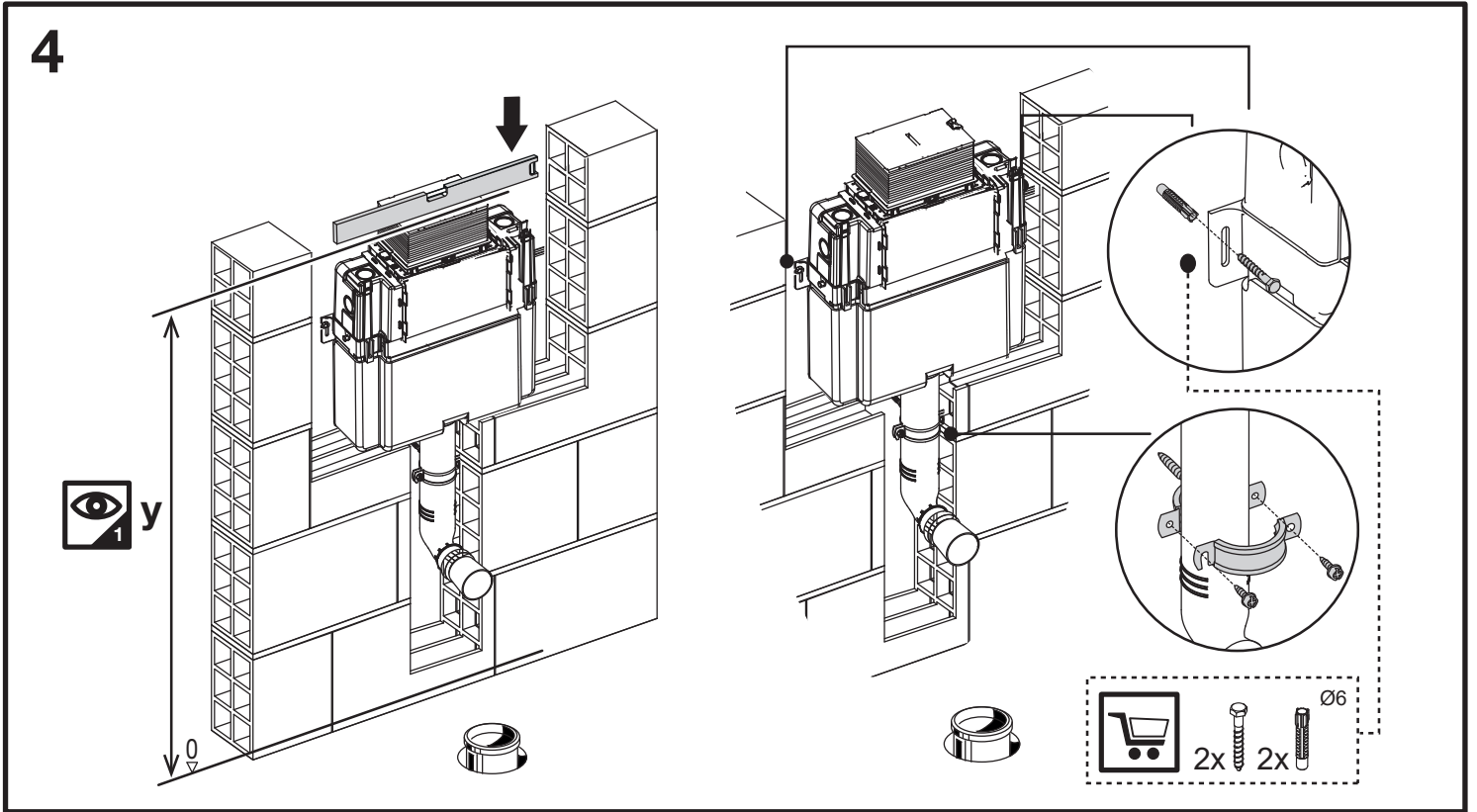
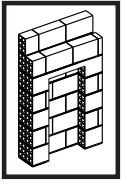
3

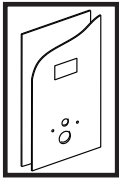
FRONT



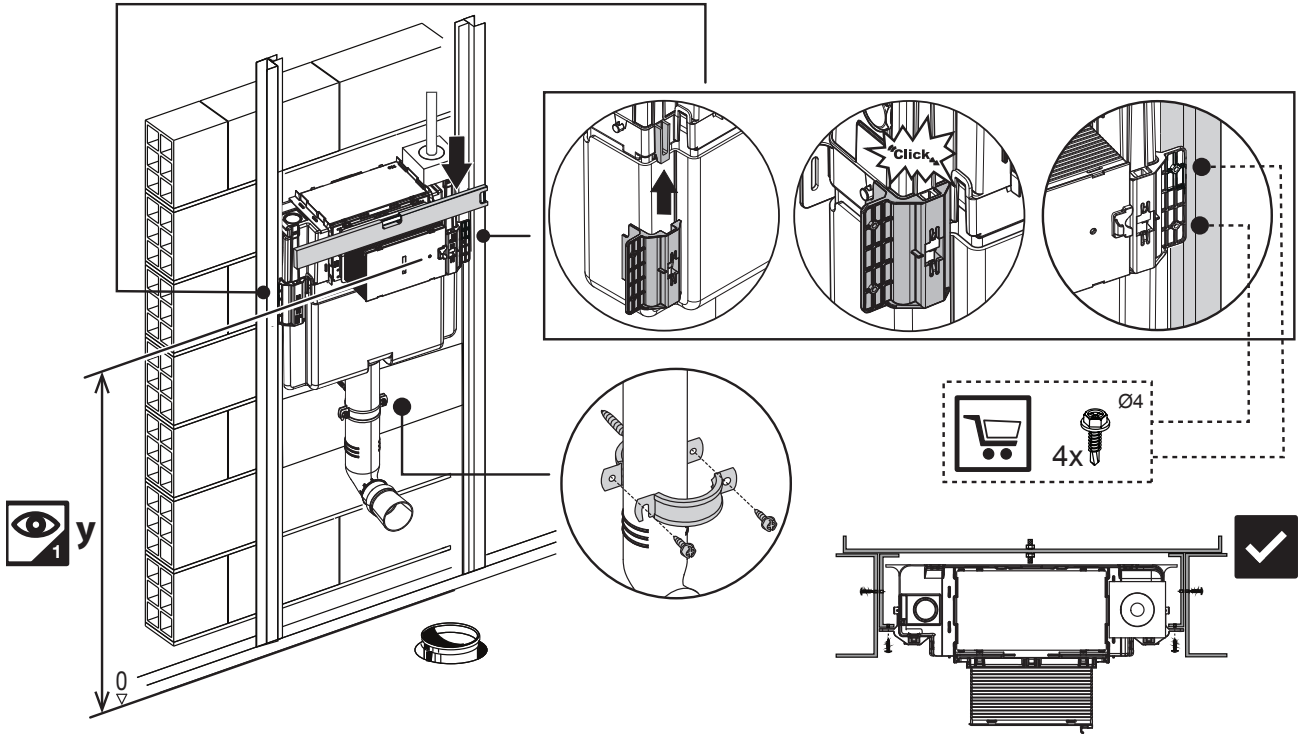
TOP



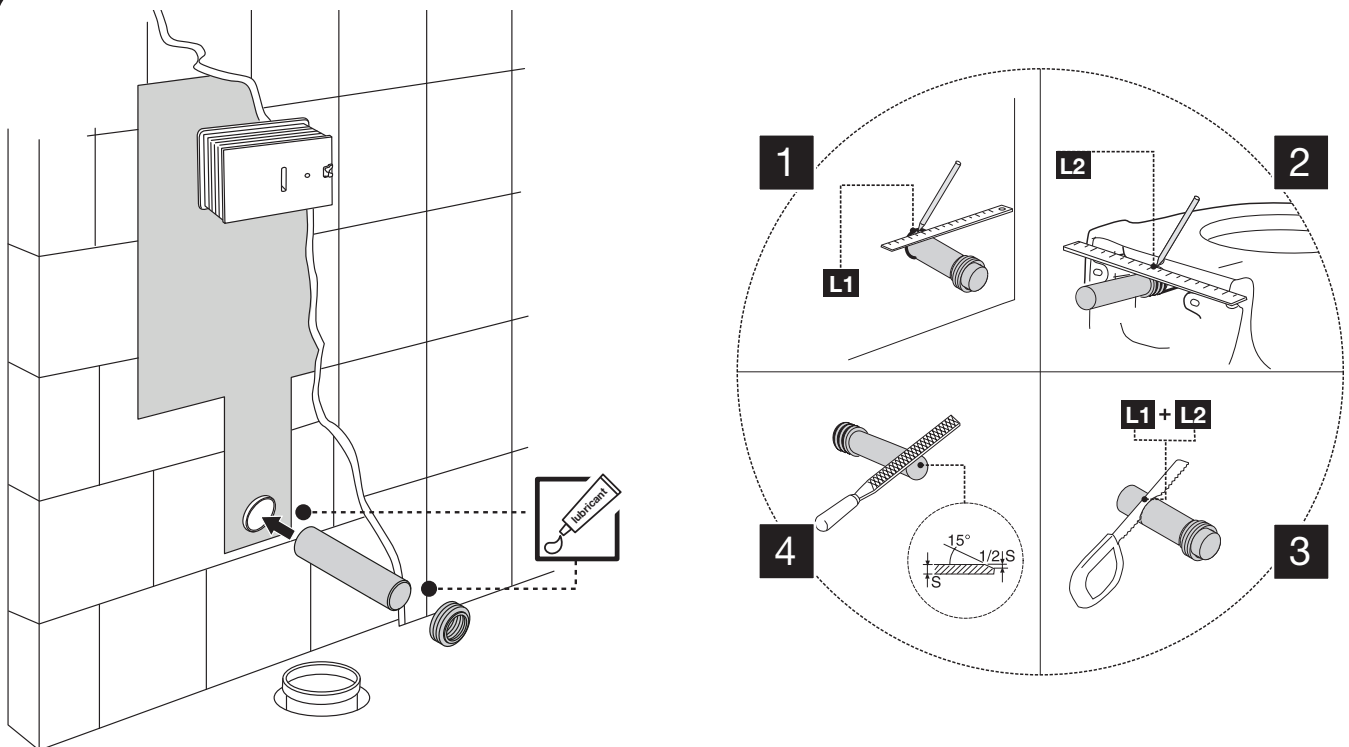


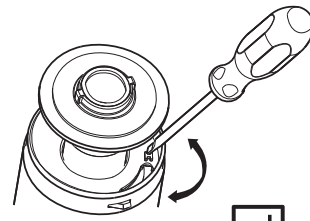
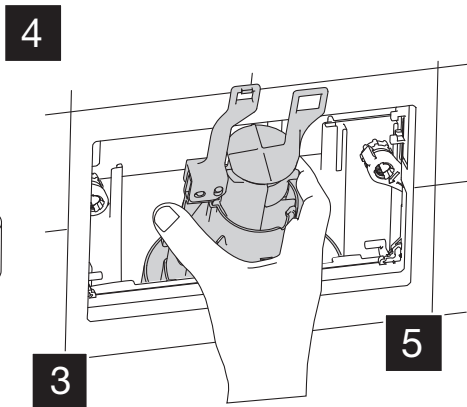
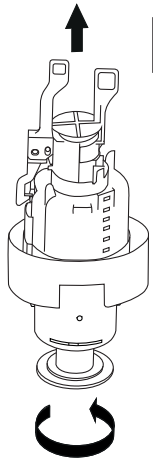
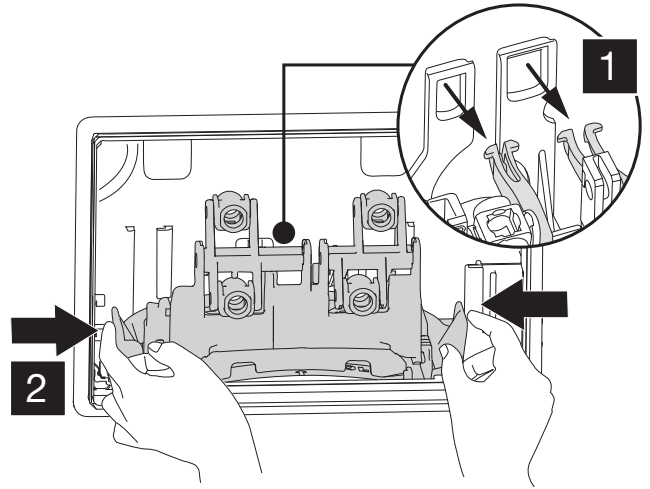
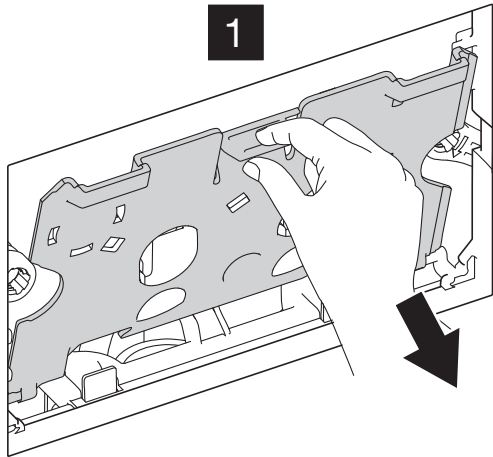


6



7

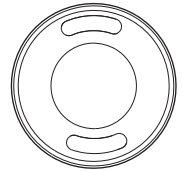
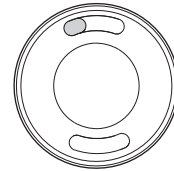
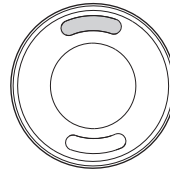




4L / 2L

6L / 3L

7L / 3L



Open

Closed

