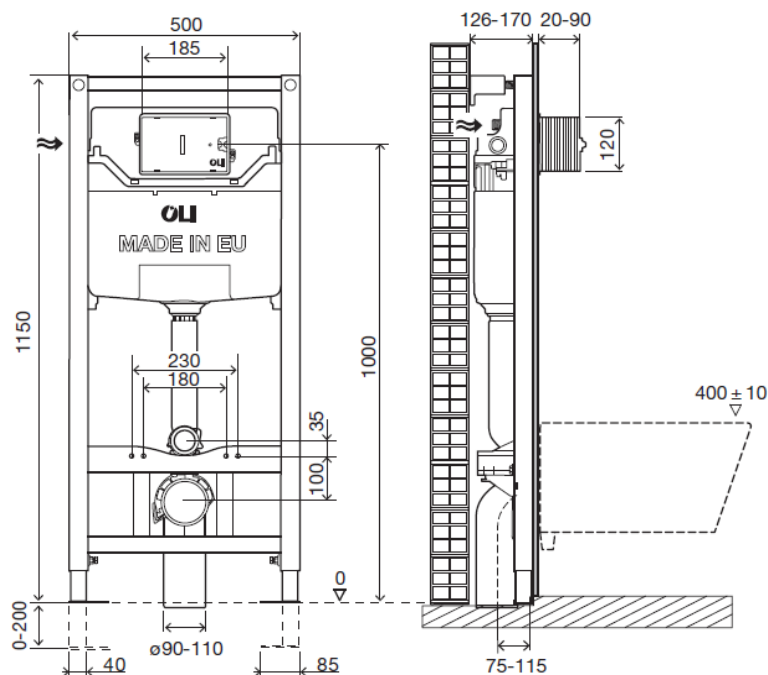


Technical Sheet

OLI120 Plus Cap AC Sanitarblock



Product Identification

878621

- OLI120 Plus Cap AC Sanitarblock

Definition and Application

- Pre-assembled structure for installation in front of masonry wall and finish in light wall, plasterboard wall and technical support rail for light wall
- Compatible with wall hung toilets up to 660mm long
- Exclusive to no-touch capacitive control plates

Technical Features

Structure

- In painted tubular corrosion resistant
- Easy and quick installation with Fast Fit system
- Minimum thickness of 126mm and adjustable up to 170mm
- Height regulation of the adjustable floor brackets (0-200 mm);
- Depth adjustable outlet bend
- Tested for 400kg load

Millimetres measures

Cistern

- Dual flush in-wall cistern compatible with dual flush actuators 6/3 litres (adjustable to 4/2 and 7/3)
- 126mm thickness
- Electronic actuation
- Need to be connected to the power grid
- Waterproof connectors
- Equipped with Azor Plus Inlet Valve, with delayed refilling (saves up to 9 litres of water per day) and silent according to the NF standard category Class I
- Working pressure from 0,1 to 16 bar
- Resistance to atmospheric humidity (Hr <90%).
- Polypropylene (PP) cistern highly resistant and inalterable to thermal stress
- EN 14055 CE marking
- Upon request some versions compliant with: NF/KIWA/BELGAQUA certifications
- Supplied with anti-condensation lining

Accessories

- 1 Flush pipe $\varnothing 90 \times 250$
- 1 Seal for flush pipe $\varnothing 125$
- 1 Connecting pipe $\varnothing 45 \times 180$
- 1 Pan rubber seal $\varnothing 45$
- 1 Protective box
- 1 G 1/2" stop valve
- 1 Protection sponge for the stop valve
- 1 Flush bend $\varnothing 90 / 90$ L230
- 1 Outlet bend and $\varnothing 90/110$ adaptor
- 1 Protection pipe $\varnothing 90$
- 1 Transformer 100-240 V AC / 7V DC- 3A
- 1 Connection cable 2.7m length
- 1 Protection pipe for connection cable 2.5m length

Fixing accessories for wall structure:

- 4 Galvanized screws M8x60
- 4 Galvanized washers M8 DIN 9021
- 4 Bushing for metal structure

Fixing accessories for toilet bowl mounting on the structure:

- 2 Threaded rods M12
- 2 Nuts M12
- 2 Protection for threaded rod
- 2 Protection cover
- 2 Toilet centring washer
- 2 Washers Zn $\varnothing 34$

Warranty

- Ten (10) years warranty according to the general selling terms, starting from the purchase date of the product.
- If the product is not correctly installed the warranty is not valid

Observations

Technical Sheet

OLI120 Plus Cap AC Sanitarblock



- There are available similar products. For more information please consult our Sanitary Installation Systems catalogue or our site www.oli-world.com