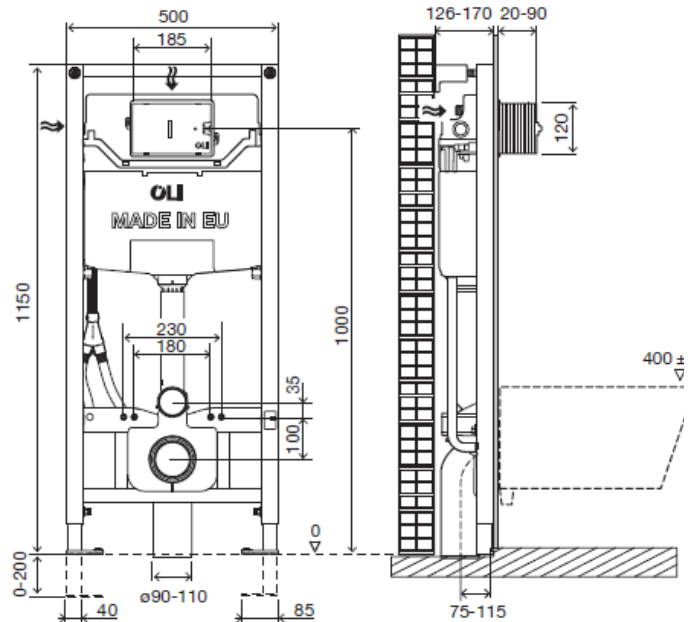


# Technical Sheet

OLI120 Plus Mechanic Sanitarblock SHT



## Product Identification

135980

- OLI120 Plus Mechanic Sanitarblock SHT

## Definition and Application

- Pre-assembled structure for installation in front of masonry wall and finish in light wall, plasterboard wall and technical support rail for light wall
- Compatible with all wall-hung WC pans
- Prepared for shower toilet installation
- Universal application with EPS mold to assure right preparation of the plasterboard wall

## Technical Features

### Structure

- In painted tubular corrosion resistant
- Easy and quick installation with Fast Fit system
- Minimum thickness of 126mm and adjustable up to 170mm
- Height regulation of the adjustable floor brackets (0-200 mm);
- Depth adjustable outlet bend
- Tested for 400kg load

Millimetres measures

FTC.1073.00  
Technical Sheet

www.oli-world.com  
export@oli-world.com

### Cistern

- Dual flush in-wall cistern compatible with either dual or single flush actuators 6/3 litres (adjustable to 4/2 and 7/3)
- 126mm thickness
- Mechanic actuation
- Equipped with Azor Plus Inlet Valve, with delayed refilling (saves up to 9 litres of water per day) and silent according to the NF standard category Class I
- Working pressure from 0,1 to 16 bar
- Resistance to atmospheric humidity (Hr <90%).
- Polypropylene (PP) cistern highly resistant and inalterable to thermal stress
- CE EN 14055 marking CL1
- According to DIN/NF/KIWA standards
- Supplied with anti-condensation lining

### Accessories

- 1 Flush pipe  $\varnothing 90 \times 250$
- 1 Seal for flush pipe  $\varnothing 125$
- 1 Connecting pipe  $\varnothing 45 \times 180$
- 1 Pan rubber seal  $\varnothing 45$
- 1 Protective box
- 1 G  $\frac{1}{2}$ +stop valve
- 1 Protection sponge for the stop valve
- 1 Flush bend  $\varnothing 90 / 90$  L230
- 1 Outlet bend and  $\varnothing 90/110$  adaptor
- 1 Protection pipe  $\varnothing 90$

### Fixing accessories for wall structure:

- 4 Galvanized screws M8x60
- 4 Galvanized washers M8 DIN 9021
- 4 Bushing for metal structure

### For fixing cistern on the structure:

- 2 Threaded rods M12
- 2 Nuts M12
- 2 Protection for threaded rod
- 2 Protection cover
- 2 Toilet centring washer
- 2 Washers Zn  $\varnothing 34$

## Warranty

- Ten (10) years warranty according to the general selling terms, starting from the purchase date of the product.
- If the product is not correctly installed the warranty is not valid

## Observations

- There are available similar products. For more information please consult our Sanitary Installation Systems catalogue or our site [www.oli-world.com](http://www.oli-world.com)