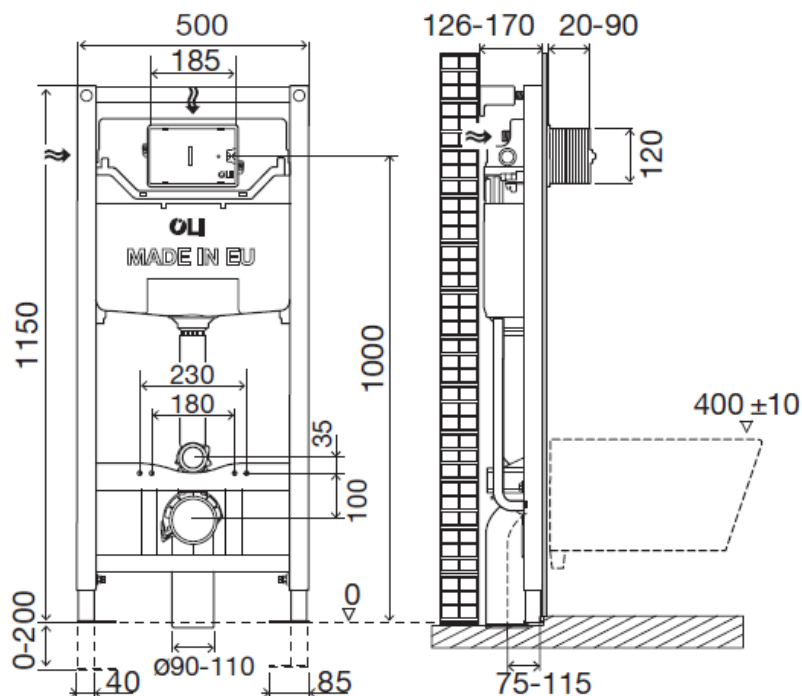


Technical Sheet

OLI120 PLUS Cap Hydroboost Sanitarblock



Product Identification

878846

- OLI120 PLUS cap Hydroboost Sanitarblock

Definition and Application

- Pre-assembled structure for installation in front of masonry wall and finish in light wall, plasterboard wall and technical support rail for light wall
- The Hydroboost technology enables energy to be generated as waters enters in the cistern, and requires no connection to the power grid or the replacement of batteries
- Compatible with wall hung toilets up to 660mm long

Technical Features

Structure

- In painted tubular corrosion resistant
- Easy and quick installation with Fast Fit system
- Minimum thickness of 126mm and adjustable up to 170mm
- Height regulation of the adjustable floor brackets (0-200 mm);
- Depth adjustable outlet bend
- Tested for 400kg load

Millimetres measures

FTC.1253.01
Technical Sheet

www.oli-world.com
comercial@oli-world.com
export@oli-world.com

Cistern

- Dual flush 6/3 litres
- Electronic actuation
- Working pressure from 0,1 to 16 bar
- Dedicated regulator for 6L/min filling flow rate
- Resistance to atmospheric humidity (Hr <90%).
- Polypropylene (PP) cistern highly resistant and inalterable to thermal stress
- EN 14055 CE marking
- Equipped with Azor Plus Inlet Valve, with delayed refilling (saves up to 9 litres of water per day) and silent according to the NF standard category Class I
- Supplied with anti-condensation lining

Hydroboost system

- Hydroelectric generator
- Storage temperature between: -25° and 65°C
- Degree of protection for the hydroelectric generator: IP67
- Degree of protection for the connection cable: IP67
- Small particle filter integrated in the generator inlet;
- Connection to the water supply
- Maximum pressure: <10bar;
- Operating pressure between: 0 and 10bar.
- Operating temperature between: -5° and 55°C.
- Rechargeable Battery
- LiFePO4 rechargeable battery with energy management and protection circuit;
- Capacity: 2750mAh
- Supply voltage 6,5Vdc;
- 2 pole KCC compatible cables, for power supply and charging;

The presence of a high percentage of limescale in water may cause obstructions in hydroelectric generator, leading to malfunction;

Sensor

- Operating temperature 0 – 70°C
- Degree of sensor protection: IP67
- Electronic connectors anti-error and waterproof: IP66
- Detection capacity - about 20mm
- LED signs

Technical Sheet

OLI120 PLUS Cap Hydroboost Sanitarblock



Accessories

- 1 Flush pipe $\varnothing 90 \times 250$
- 1 Seal for flush pipe $\varnothing 125$
- 1 Connecting pipe $\varnothing 45 \times 180$
- 1 Pan rubber seal $\varnothing 45$
- 1 Protective box
- 1 G $\frac{1}{2}$ " stop valve
- 1 Protection sponge for the stop valve
- 1 Flush bend $\varnothing 90 / 90 \text{ L230}$
- 1 Outlet bend and $\varnothing 90/110$ adaptor
- 1 Protection pipe $\varnothing 90$

Fixing accessories for wall structure:

- 4 Galvanized screws M8x60
- 4 Galvanized washers M8 DIN 9021
- 4 Bushing for metal structure

Fixing accessories for toilet bowl mounting on the structure

- 2 Threaded rods M12
- 2 Nuts M12
- 2 Protection for threaded rod
- 2 Protection cover
- 2 Toilet centring washer
- 2 Washers Zn $\varnothing 34$

Warranty

- Ten (10) years warranty according to the general selling terms, starting from the purchase date of the product.
- Two (2) years warranty to Hydroboost system, according to the general selling terms, starting from the purchase date of the product
- If the product is not correctly installed the warranty is not valid

Observations

- There are available similar products. For more information please consult our Sanitary Installation Systems catalogue or our site www.oli-world.com