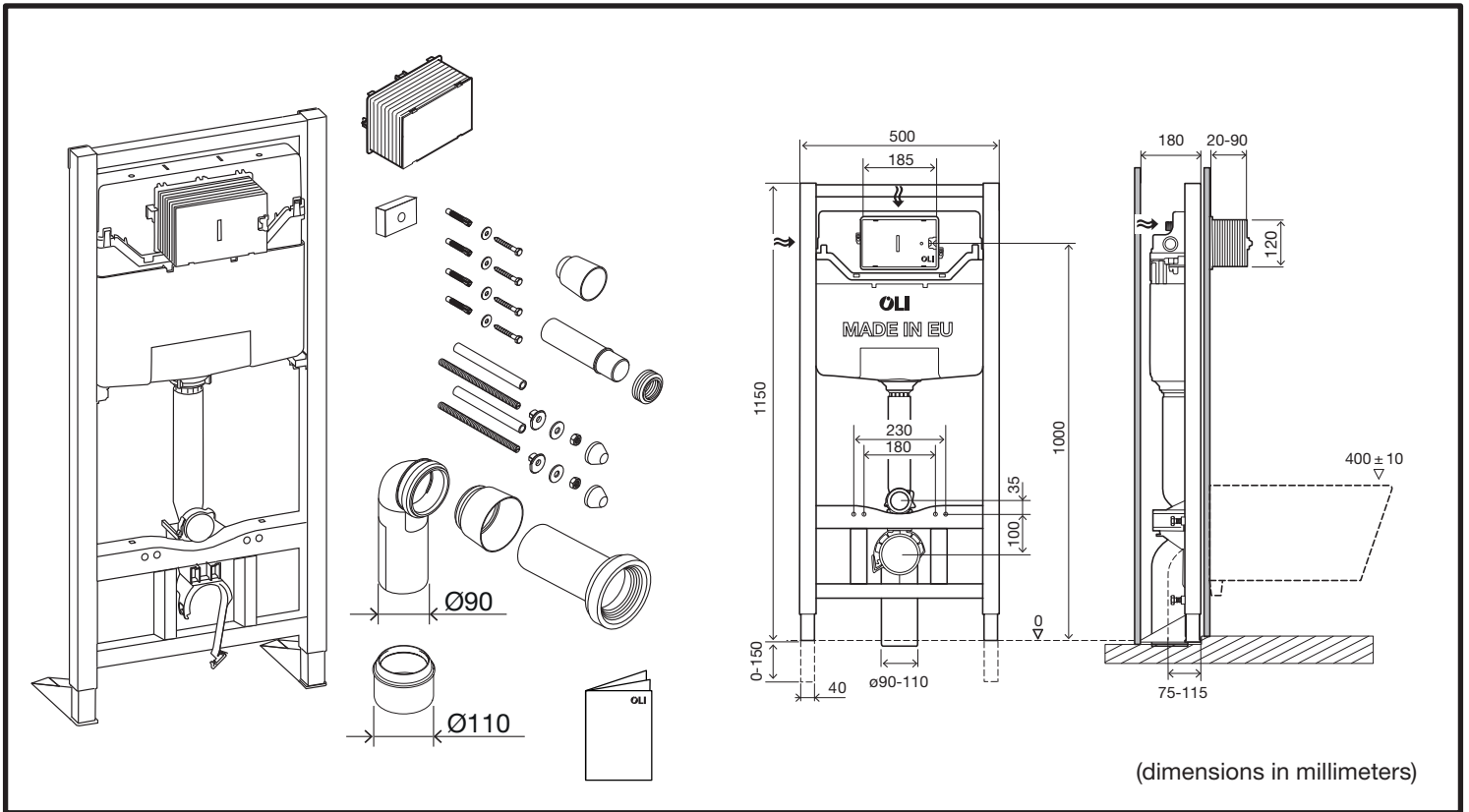
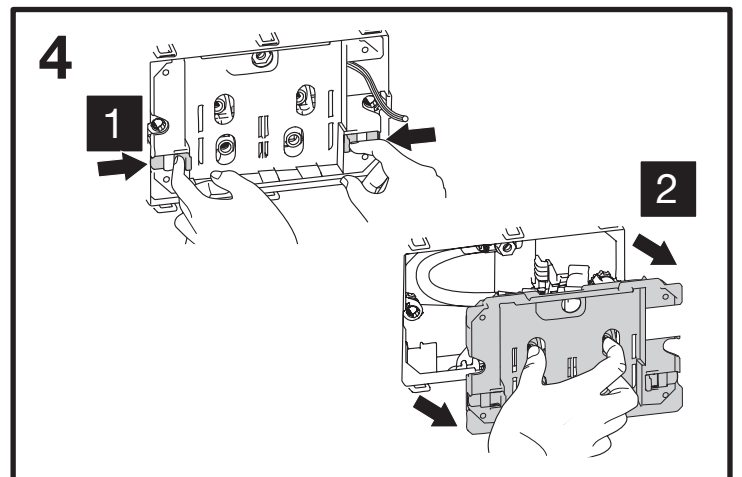
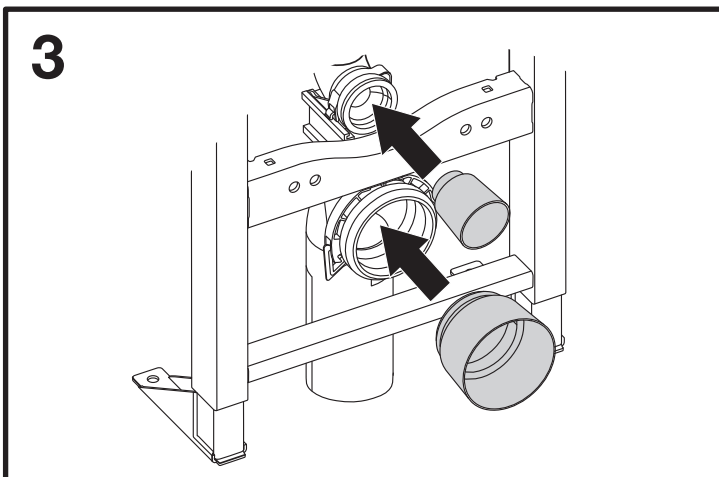
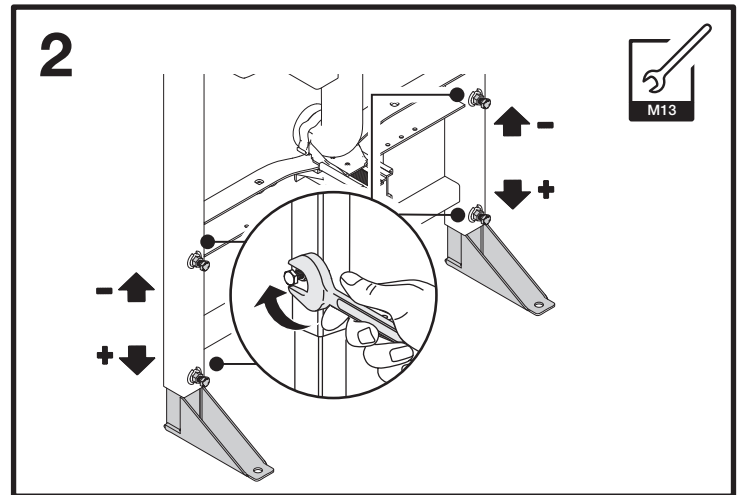
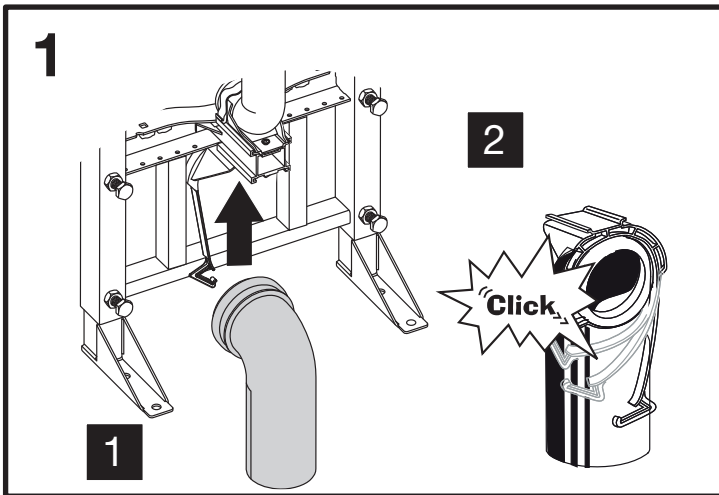


OLI 120 PLUS OLIpure®

FREE STANDING



(dimensions in millimeters)

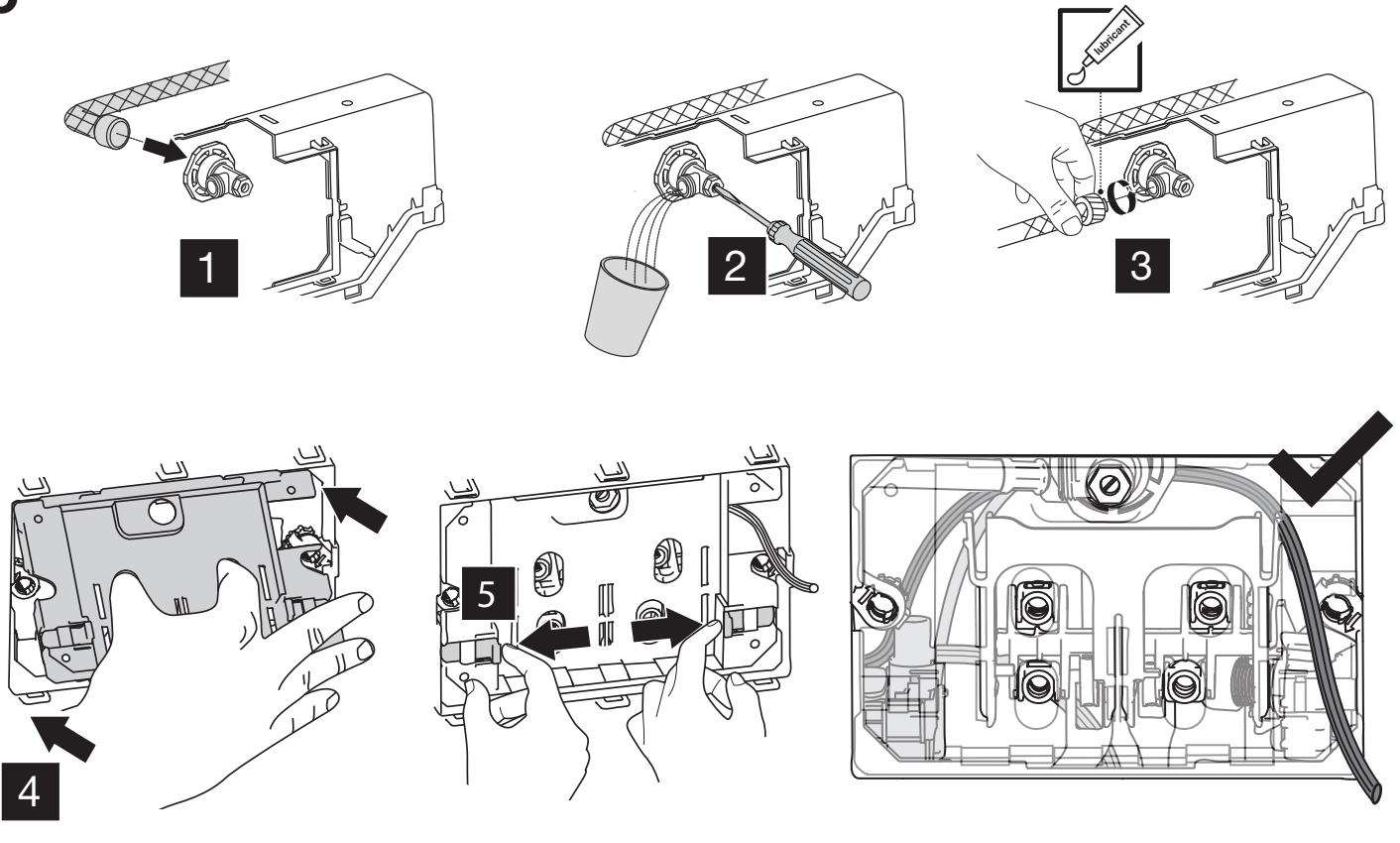


www.oli-world.com

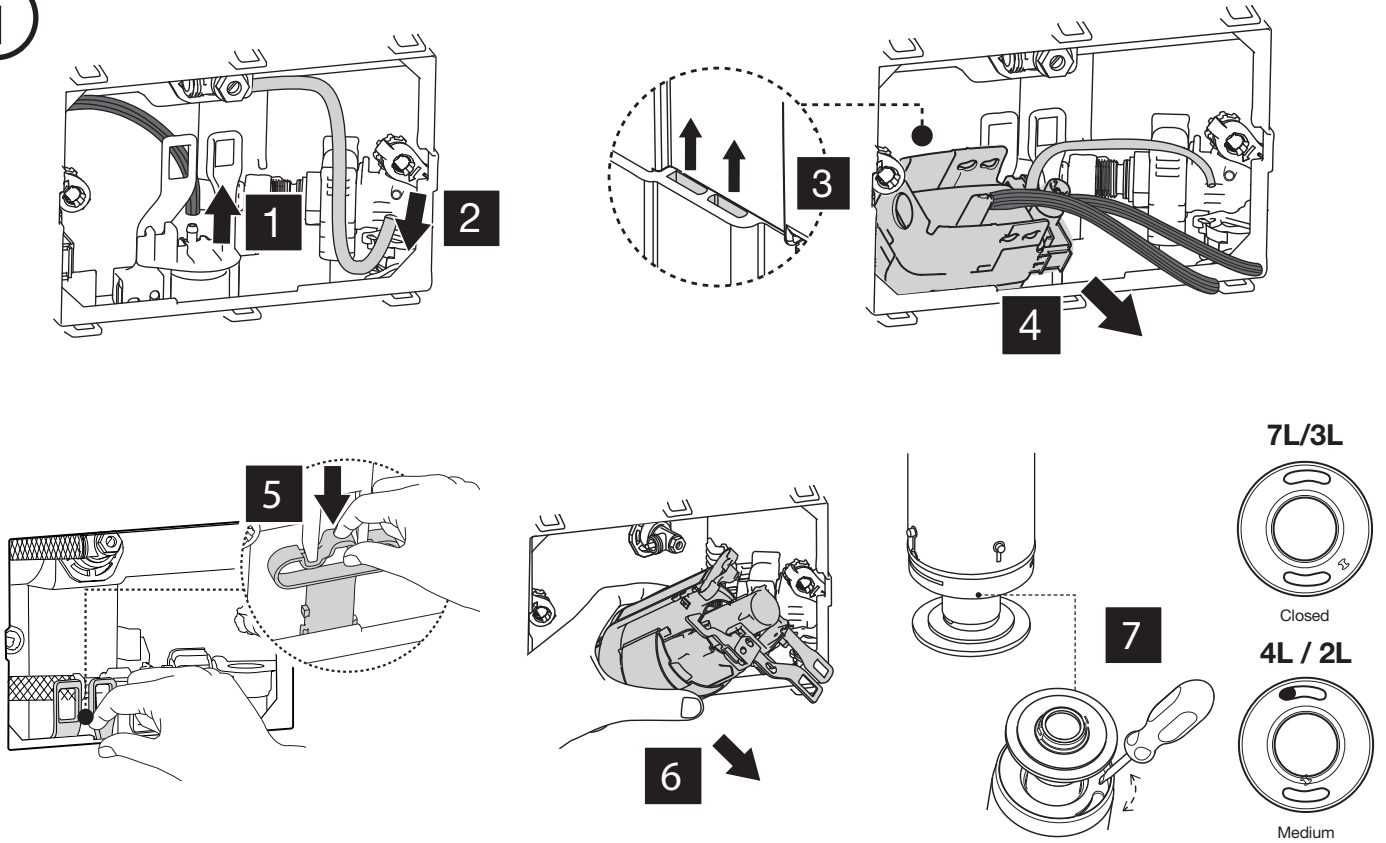
comercial@oli-world.com | info@olisrl.it

AC10000167445.0

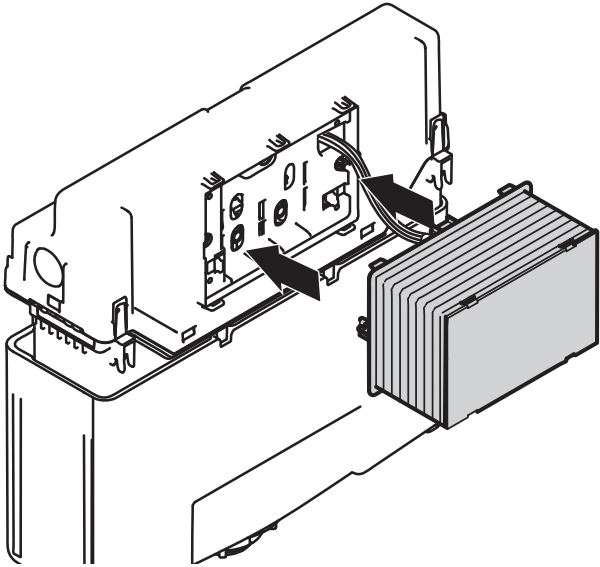
5



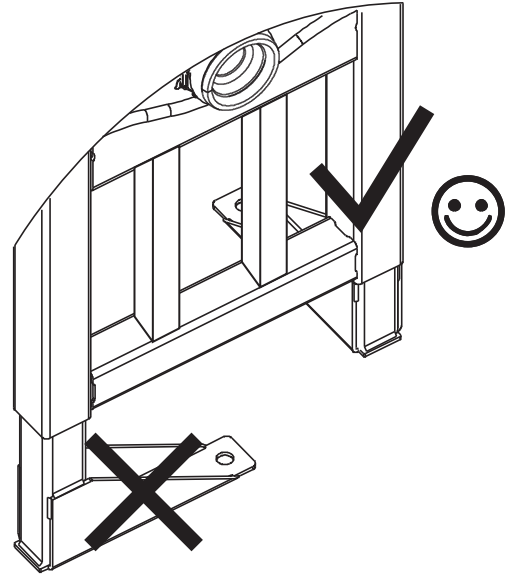
i



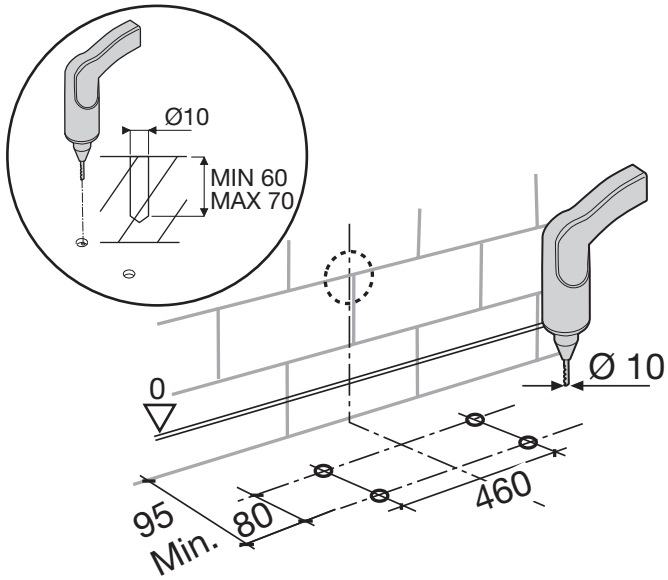
6



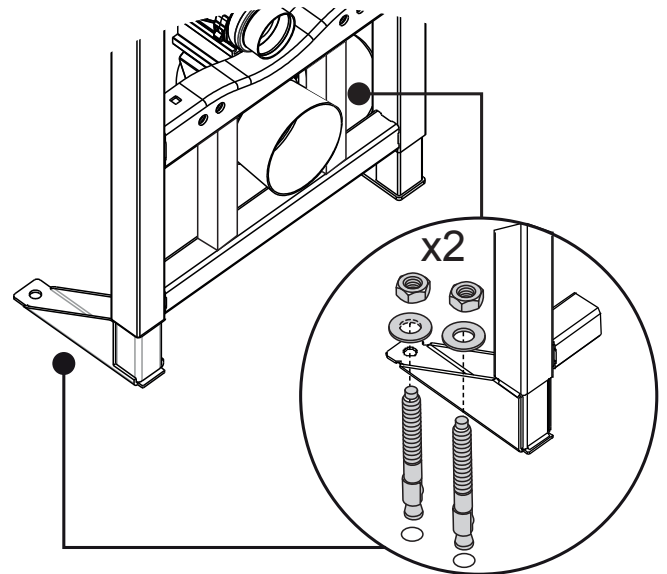
i



7



8



9

