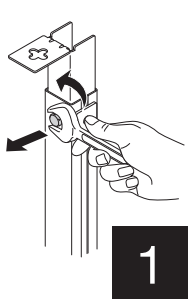
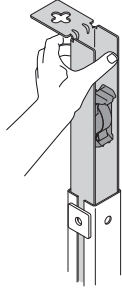


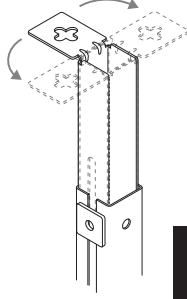
i



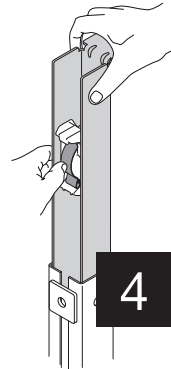
1



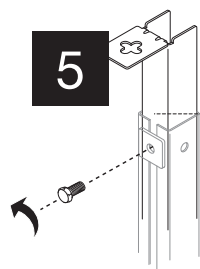
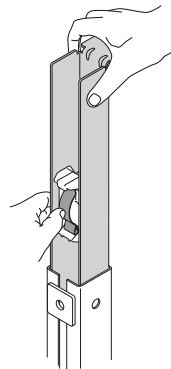
2



3



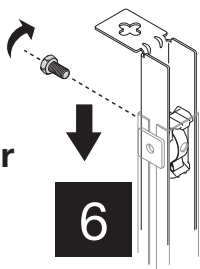
4



5

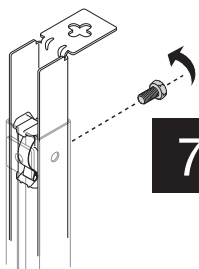
PRESS

or

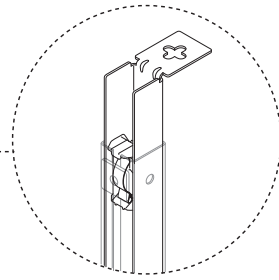
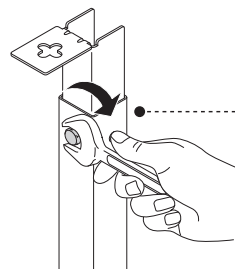


6

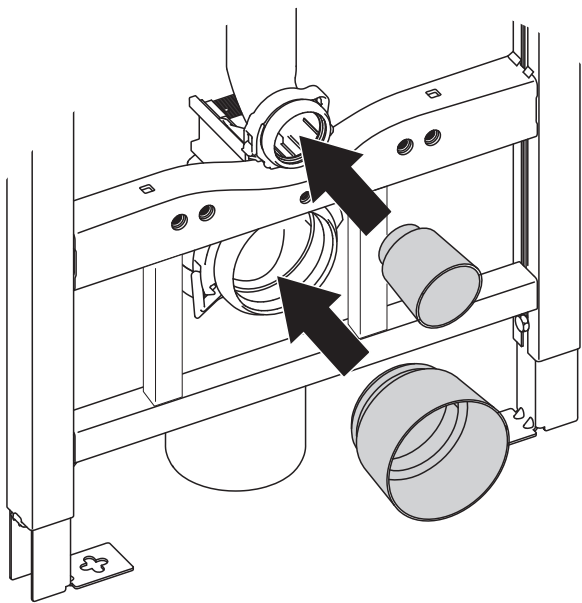
or



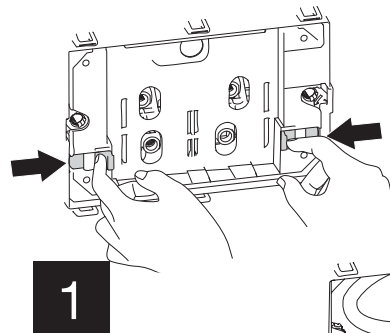
7



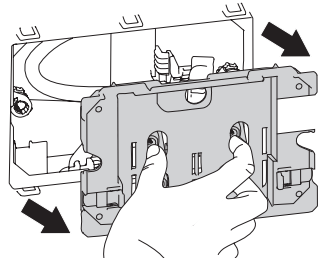
3



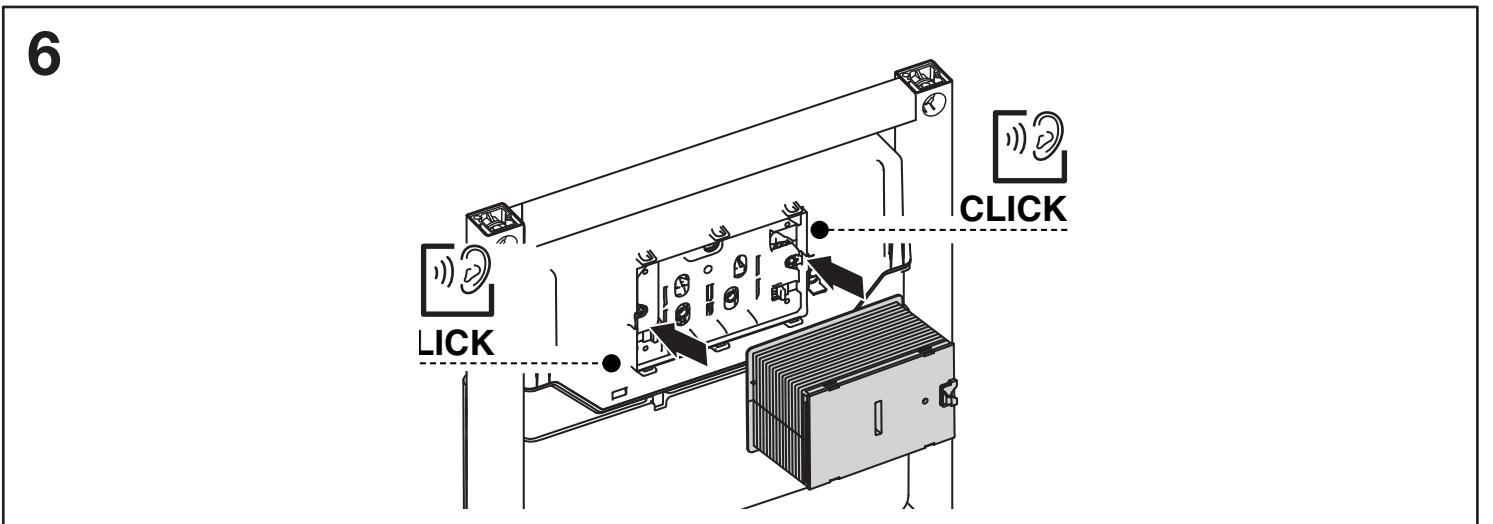
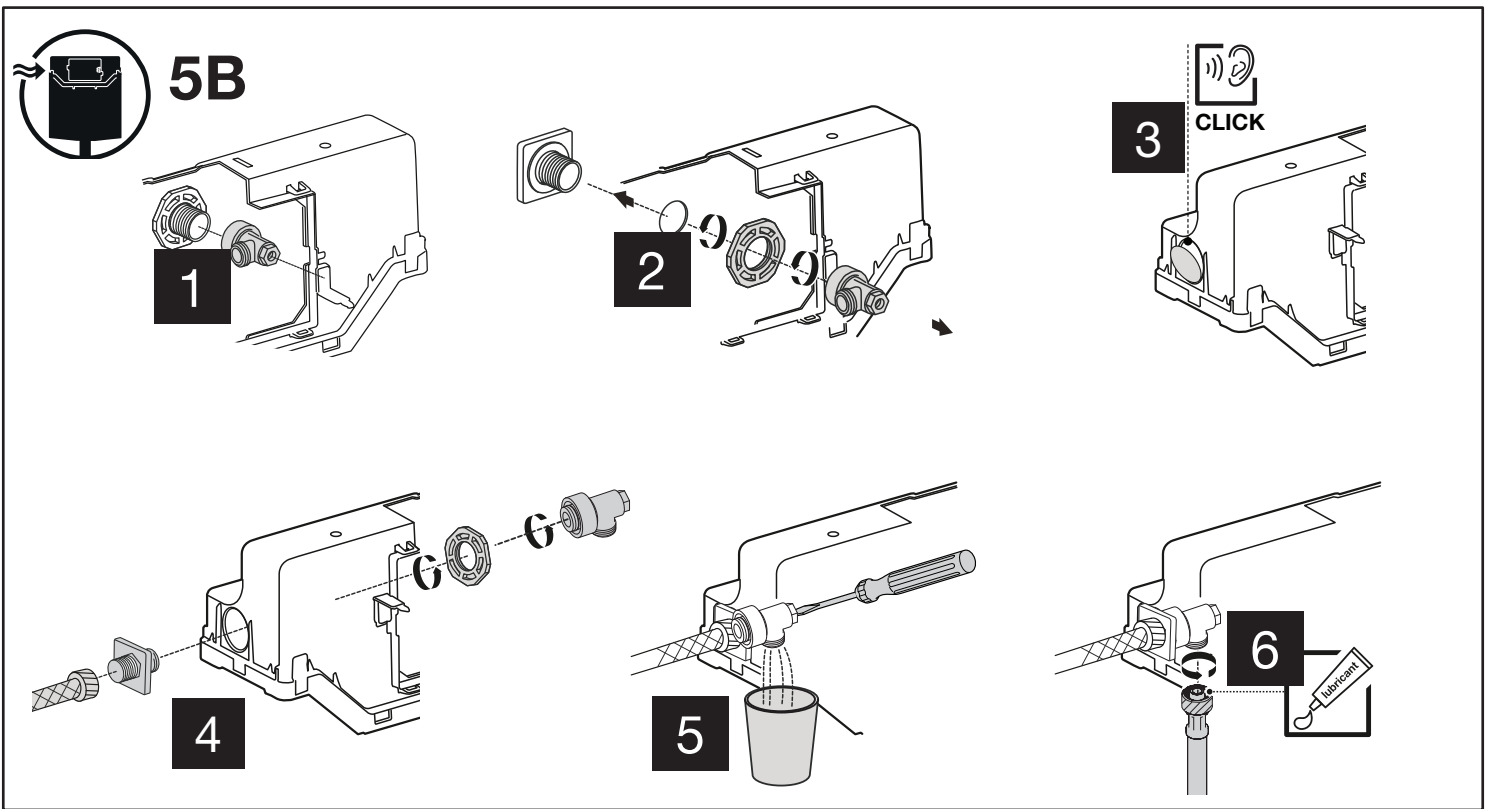
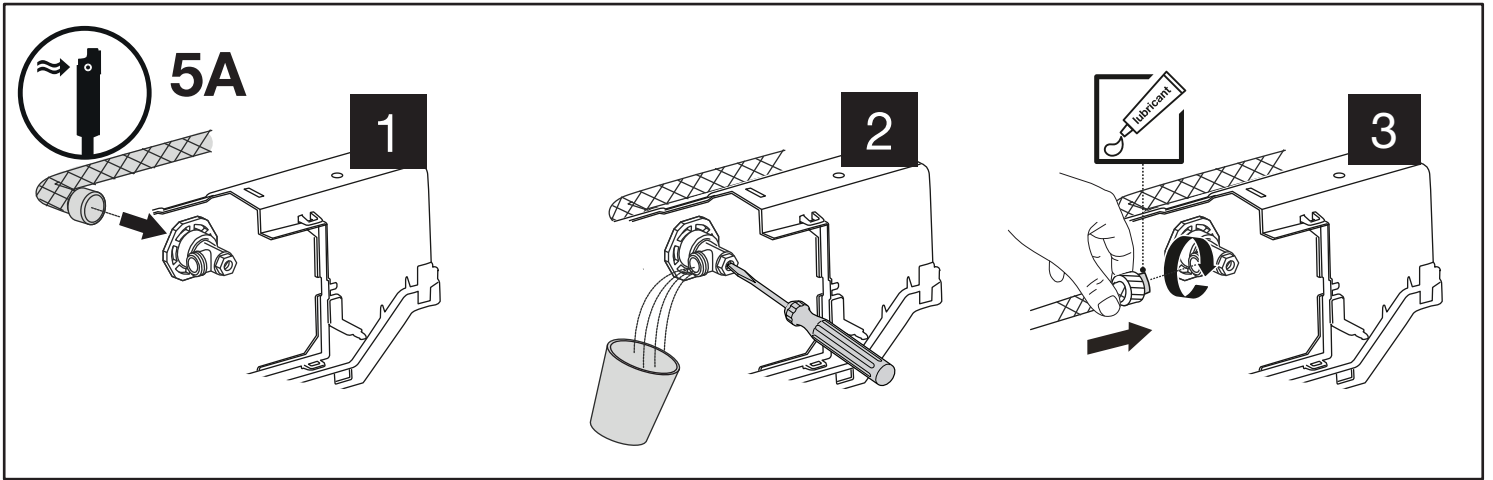
4

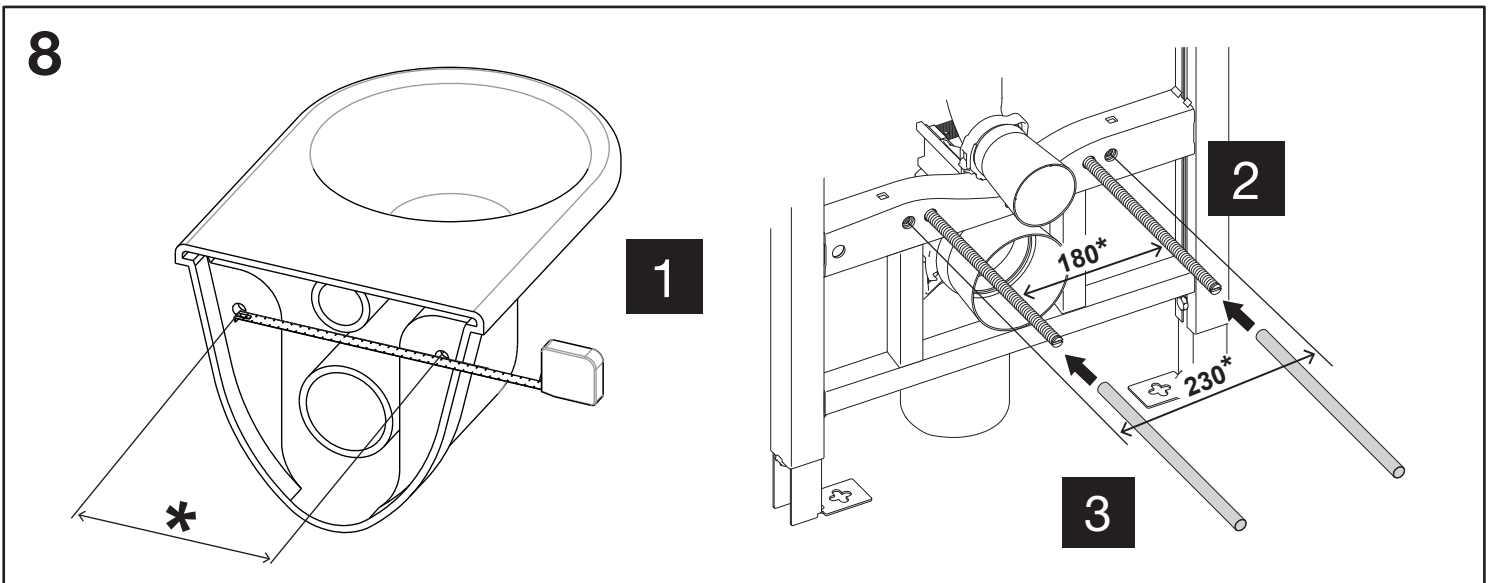
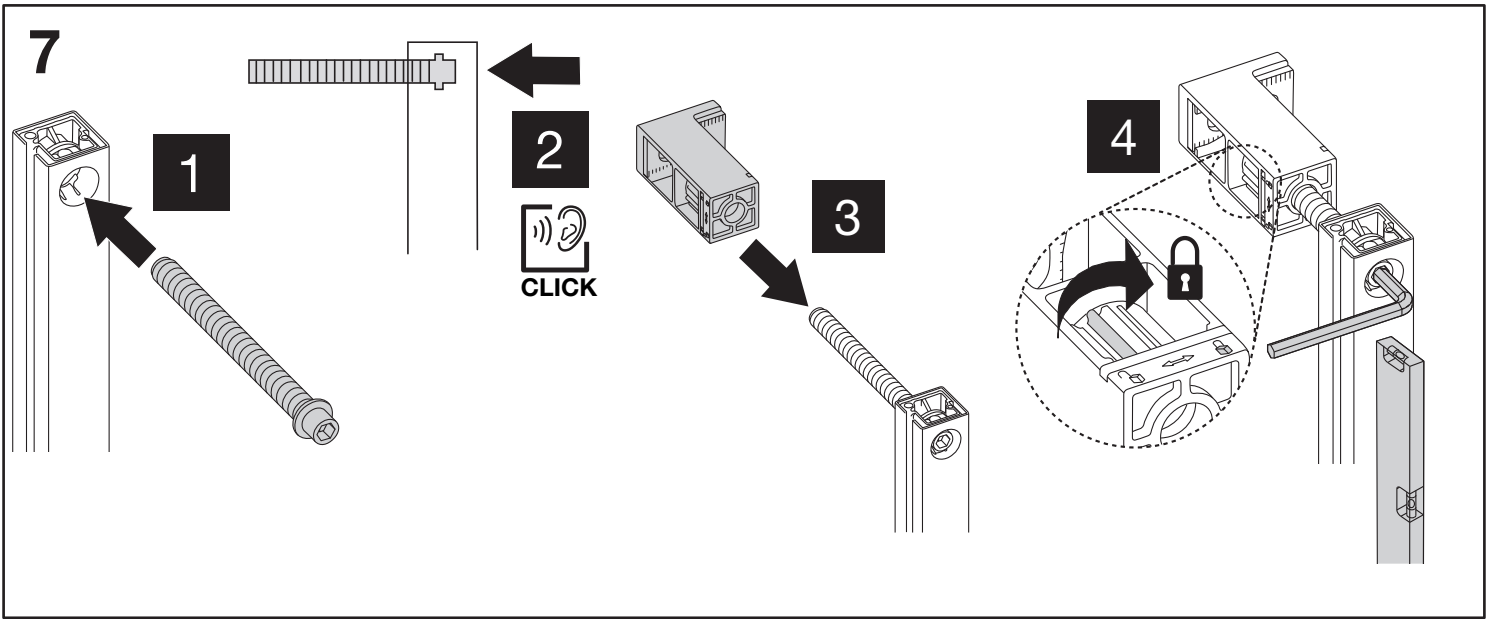


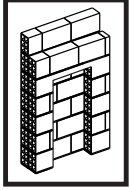
1



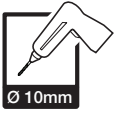
2



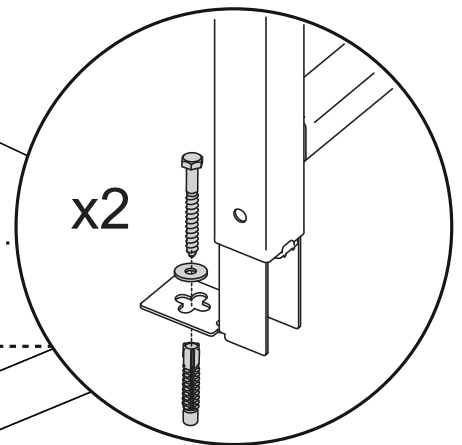
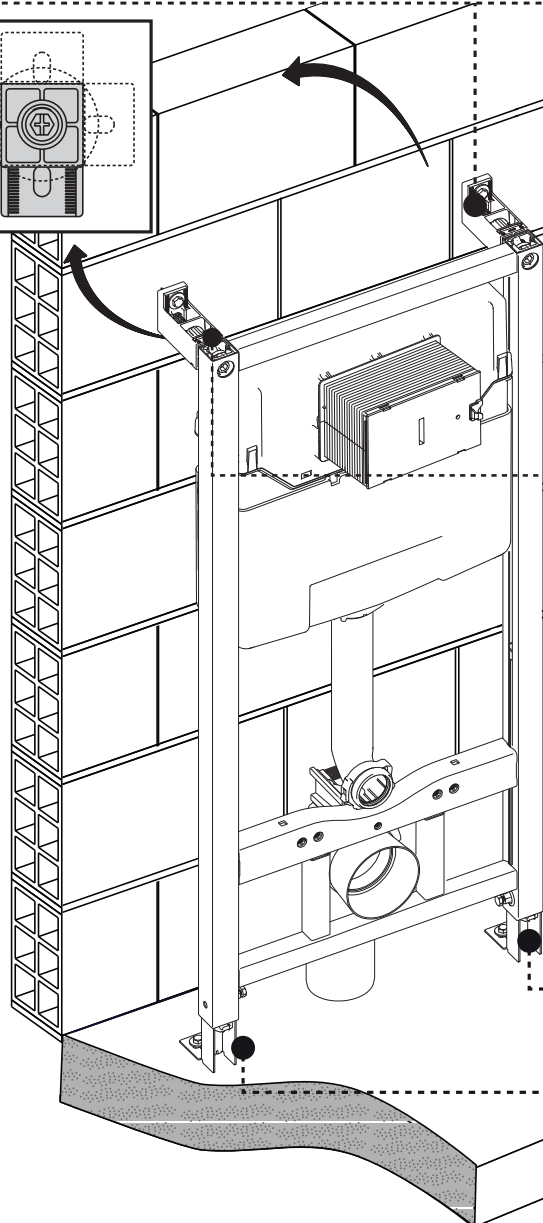
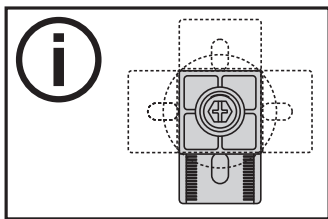
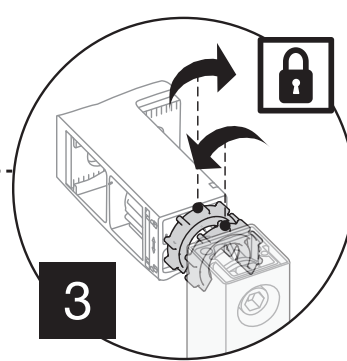
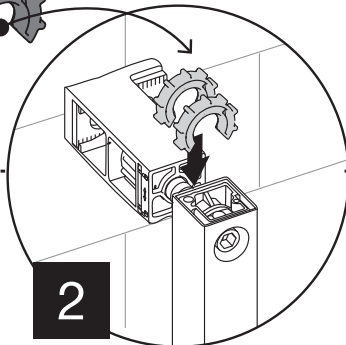
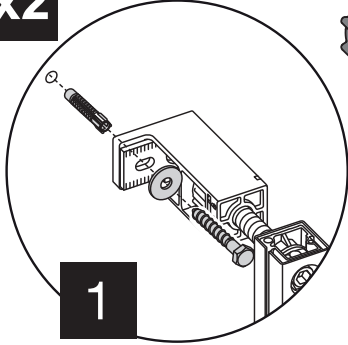


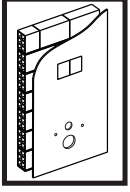


9A

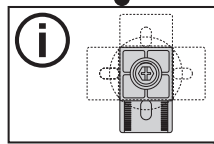
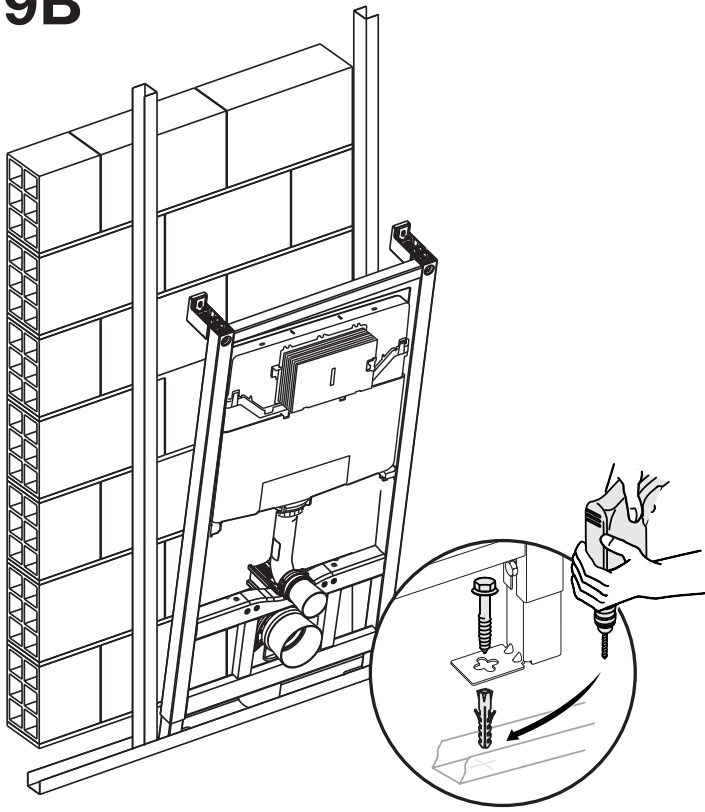


x2





9B

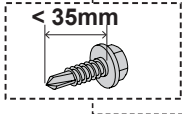


order separately

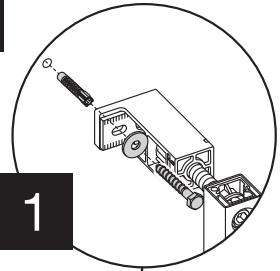


x6

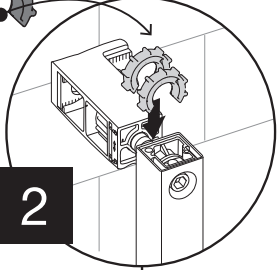
< 35mm



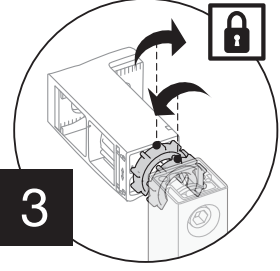
x2



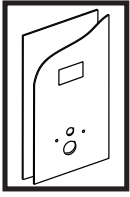
1



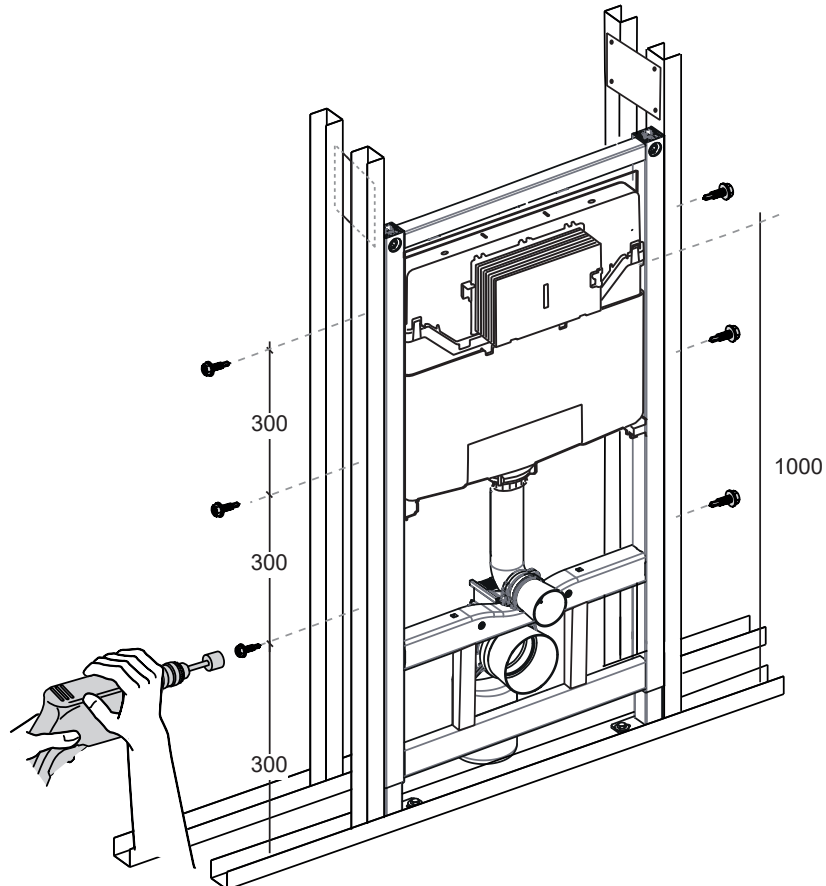
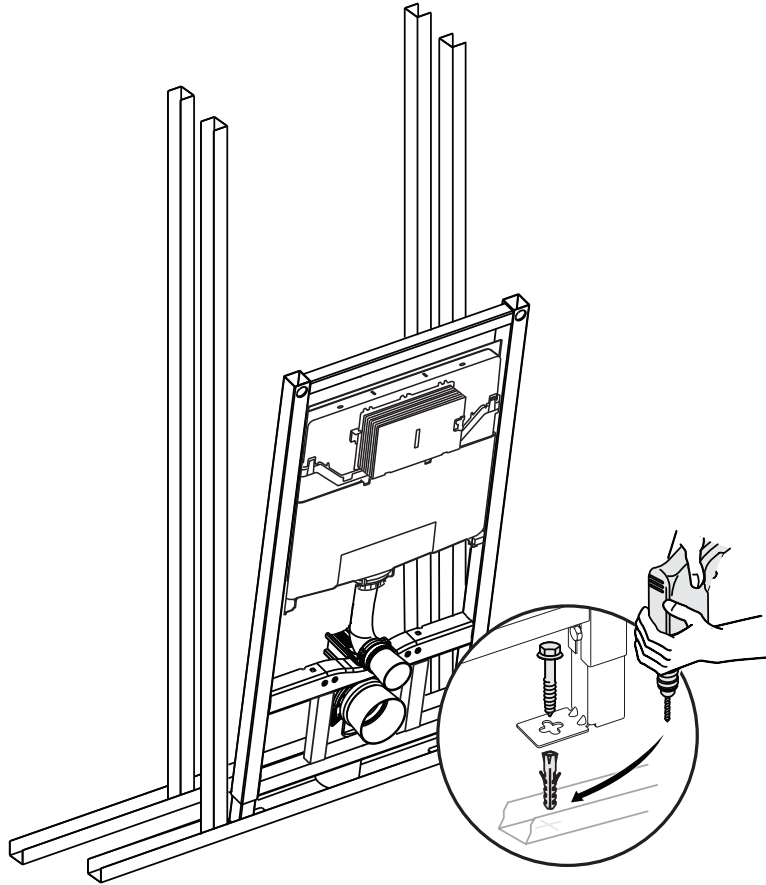
2



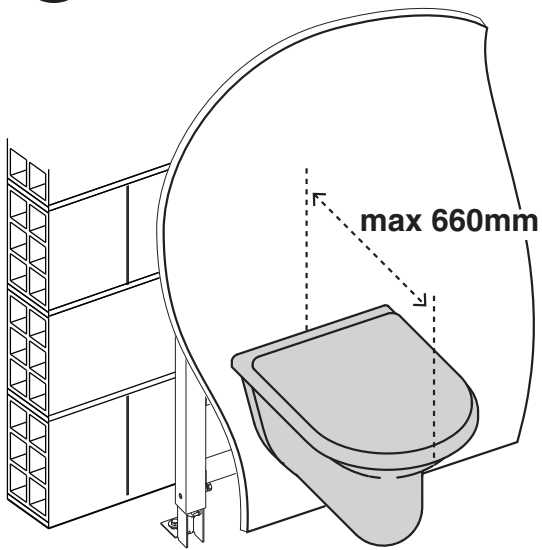
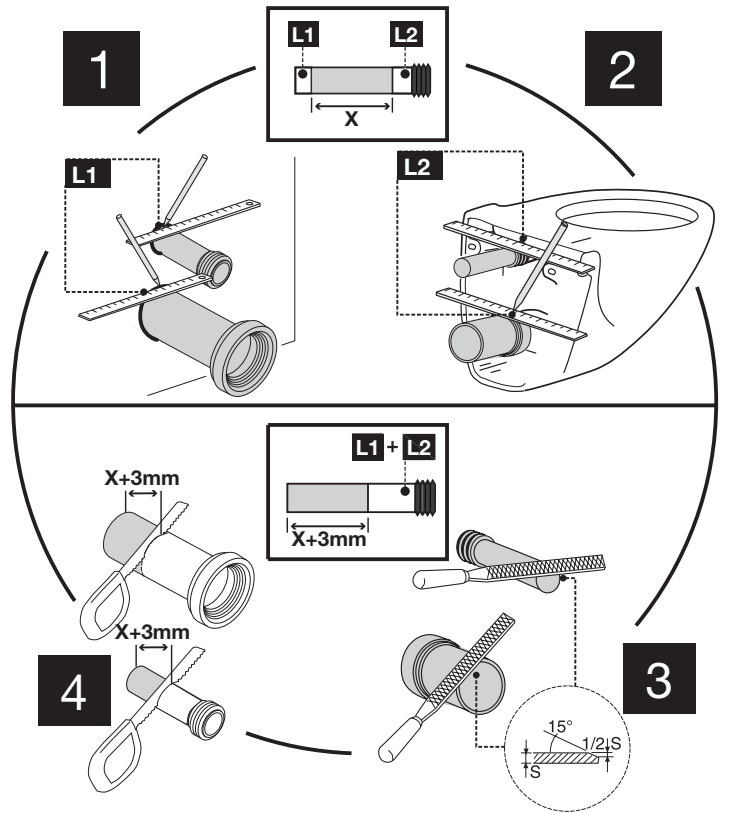
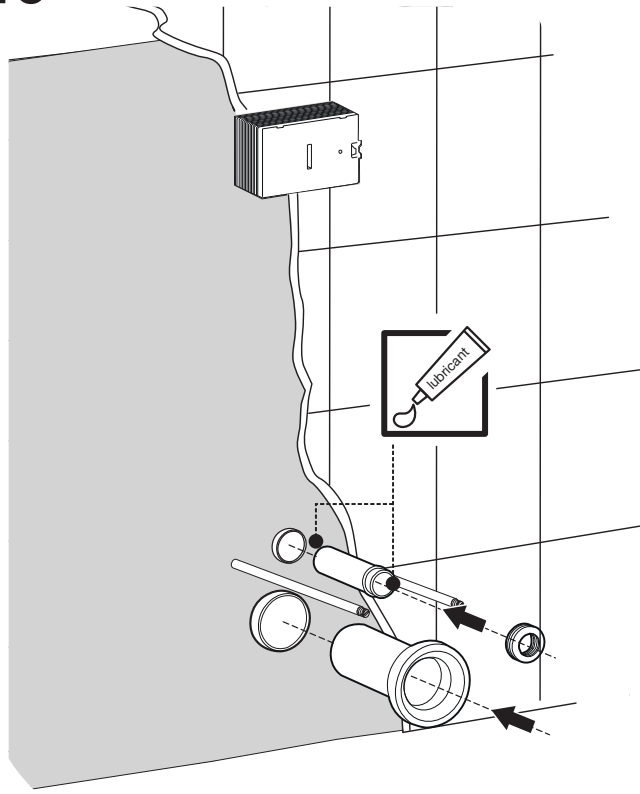
3



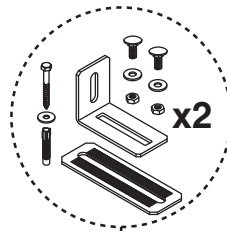
9C



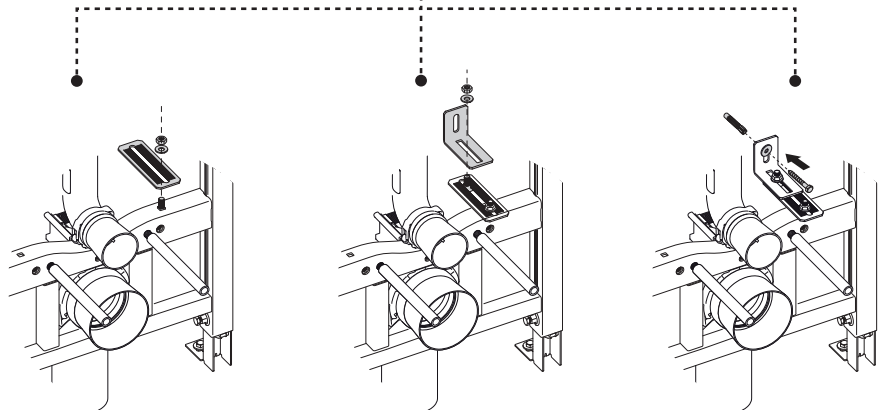
10

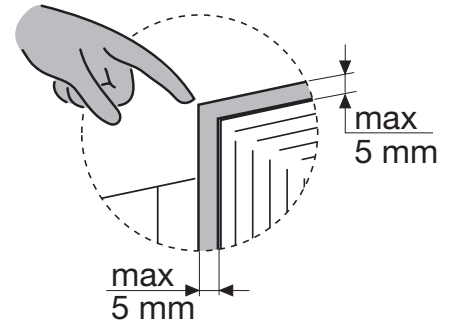
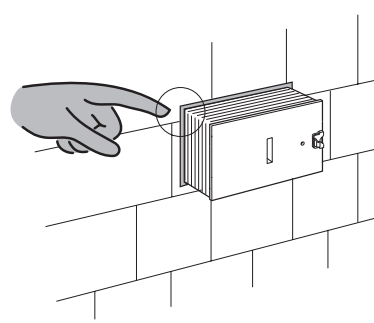
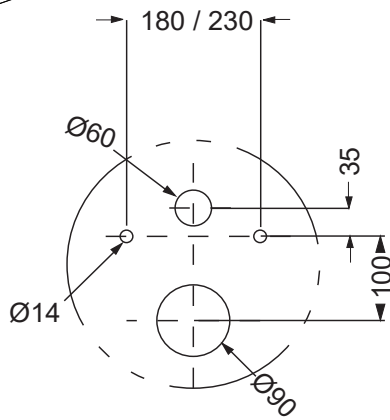
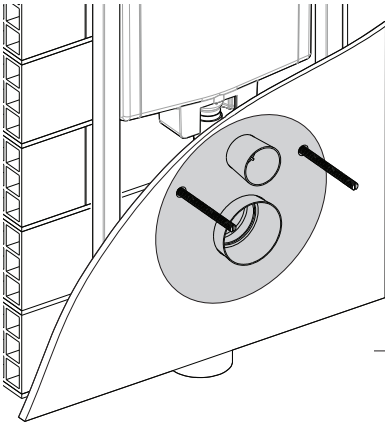


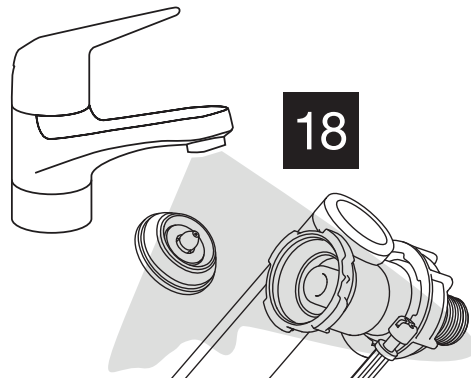
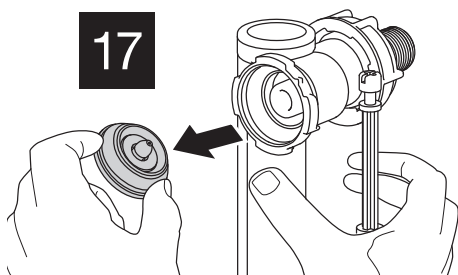
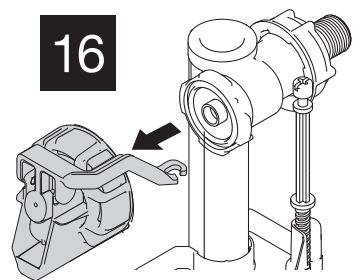
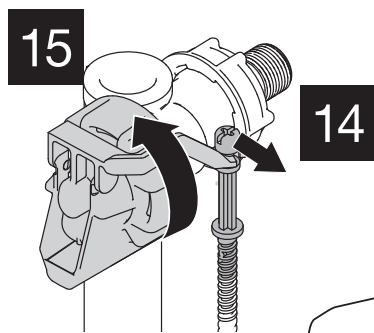
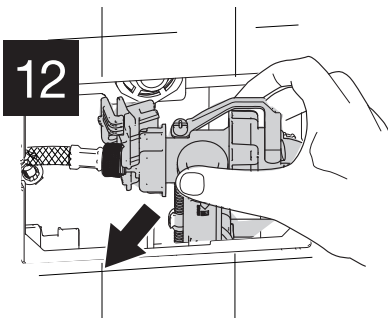
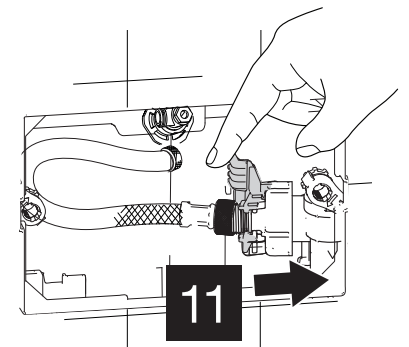
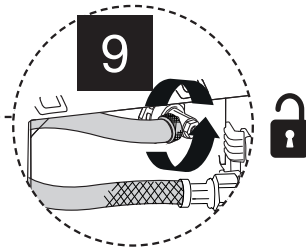
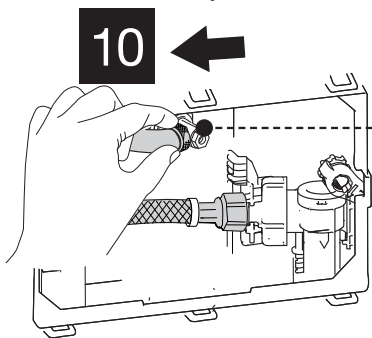
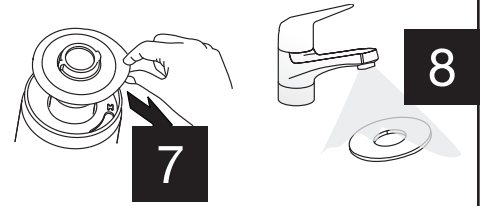
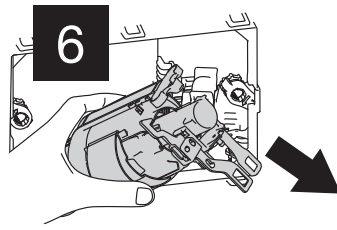
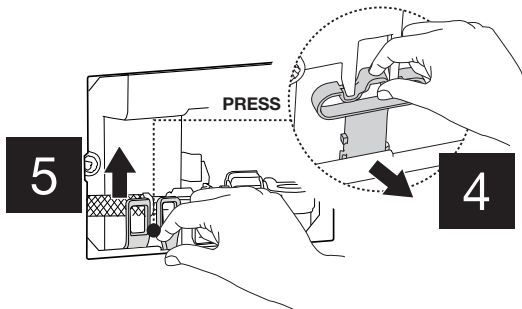
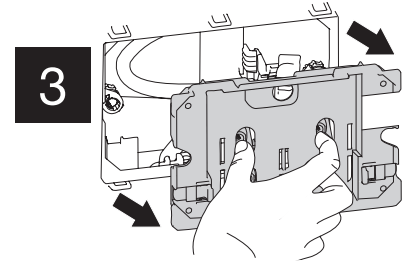
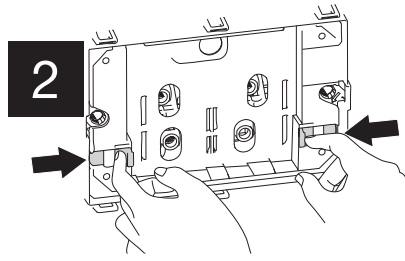
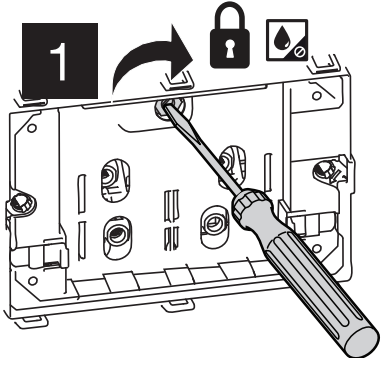
> 660 mm



881603

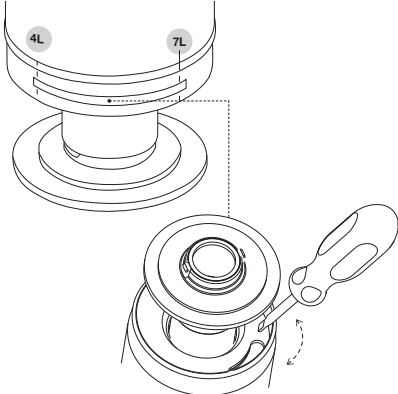




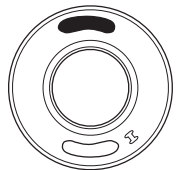




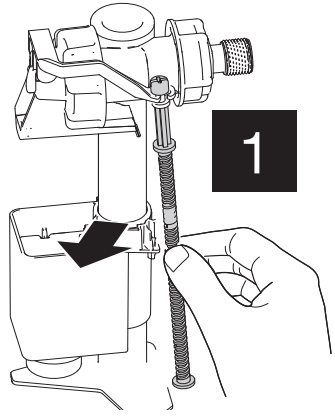
4L/2L



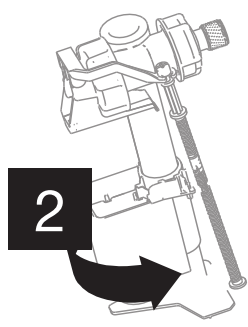
4L / 2L



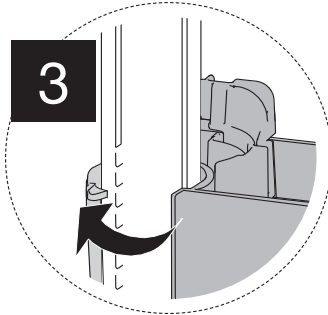
Open



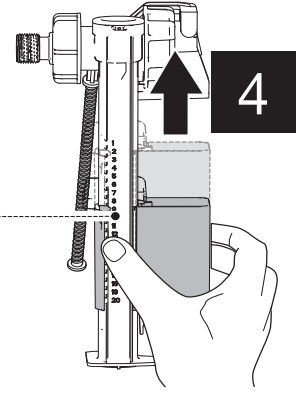
1



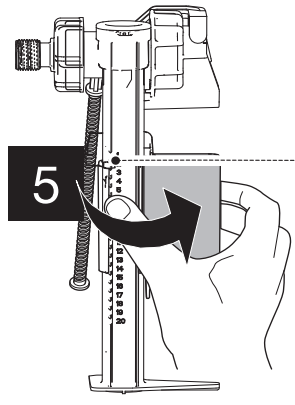
2



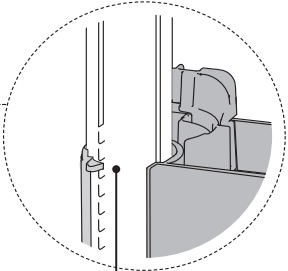
3



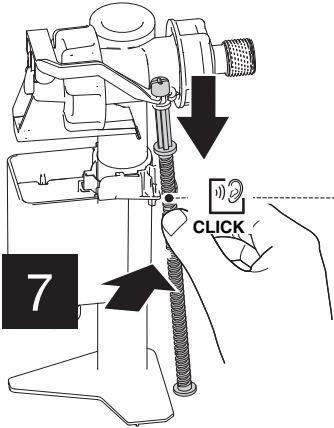
4



5

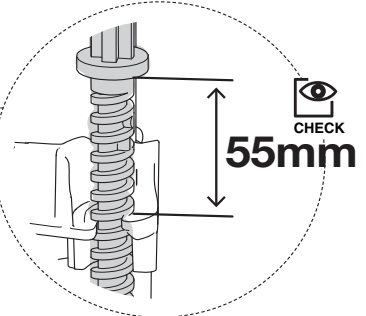


6 CLICK P10

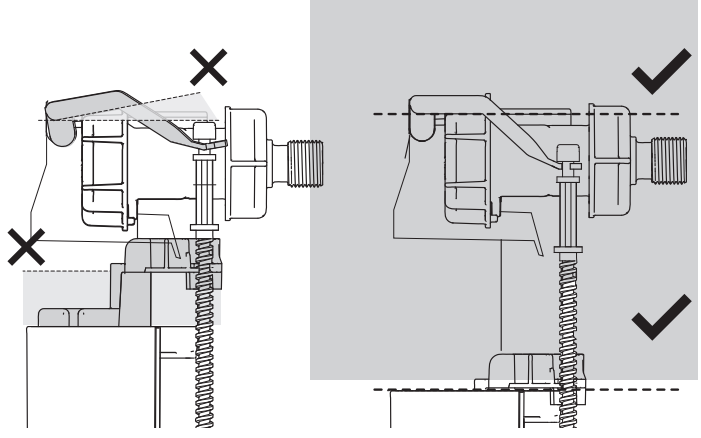


7

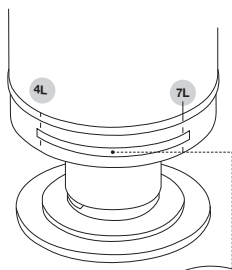
CLICK



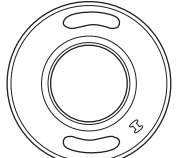
CHECK 55mm



7L/3L



7L/3L



Closed

