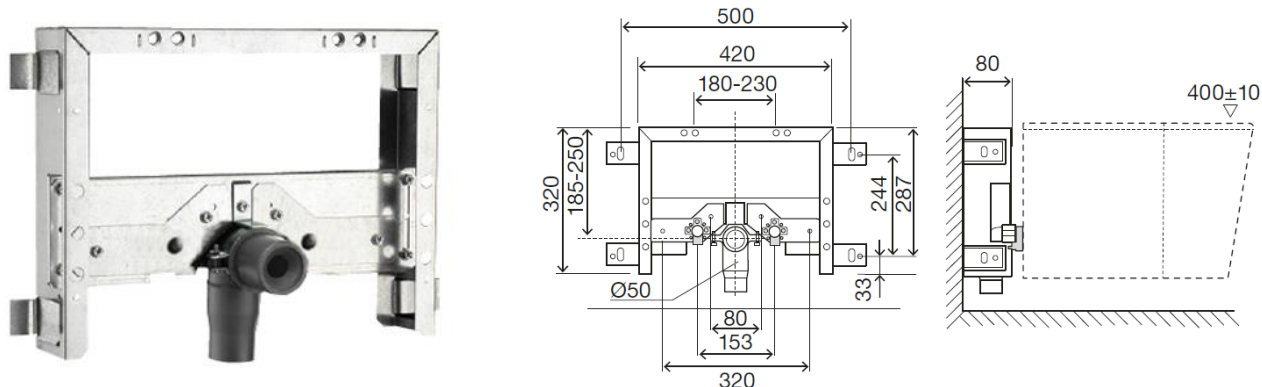


Technical Sheet

Bidet Simflex



Product Identification

006987

- Bidet Simflex

Definition and Application

- Preassembled structure for setting in masonry walls, to installation of wall-hung sanitary appliances

Technical Features

Structure

- Metal, galvanized, corrosion resistant
- Adjustable attachment plate

Accessories

- 1 Outlet bend \varnothing 40-32/50-40
- 1 Protection pipe \varnothing 40

For fixing in wall and floor

- 4 Screws M8 x 60
- 4 Washers ZN DIN 9021 M8
- 4 Bushing for metal structure

For fixing bidet to structure

- 2 Threaded rods M12
- 2 Nuts M12
- 2 Protection for threaded rod
- 2 Protection cover
- 2 Toilet centring washer
- 2 Washers Zn \varnothing 34

Millimtres measures

Warranty

- Ten (10) years warranty according to the general selling terms, starting from the purchase date of the product.
- If the product is not correctly installed the warranty is not valid

Observations

- There are available similar products. For more information please consult our Sanitary Installation Systems catalogue or our site www.oli-world.com