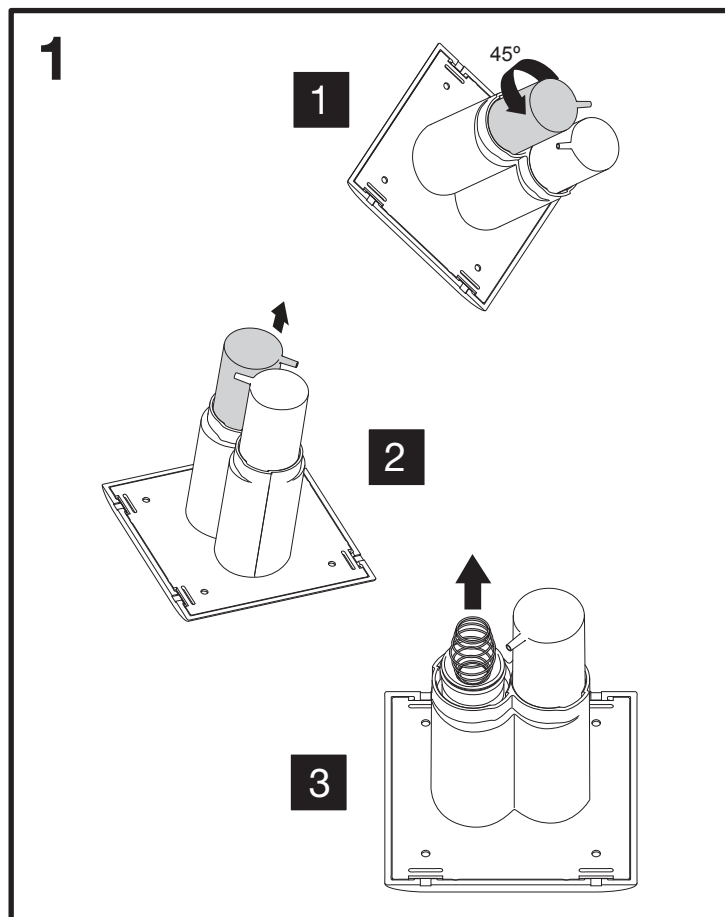
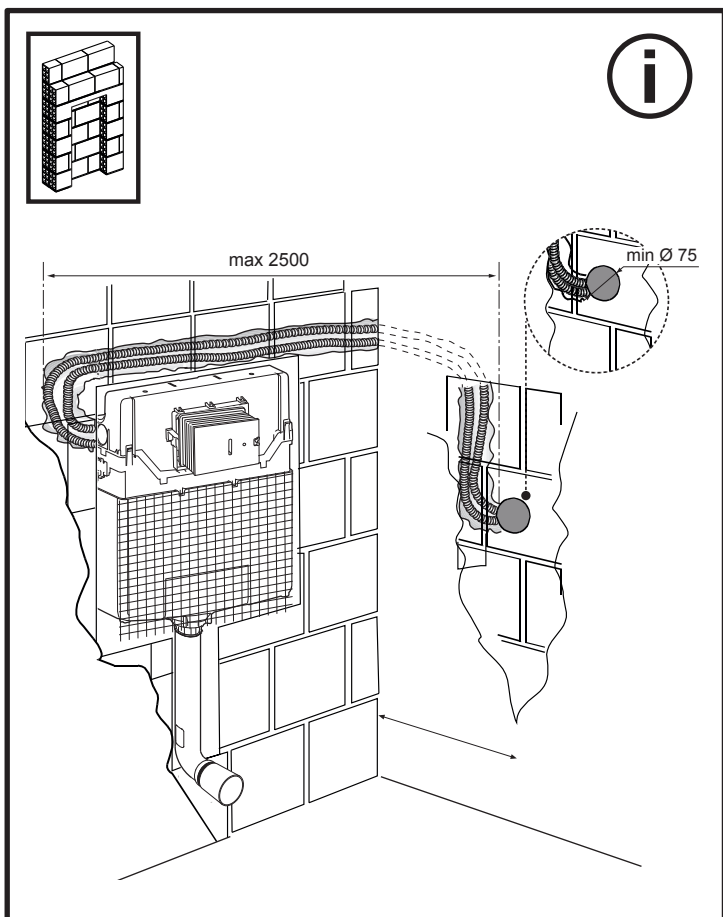
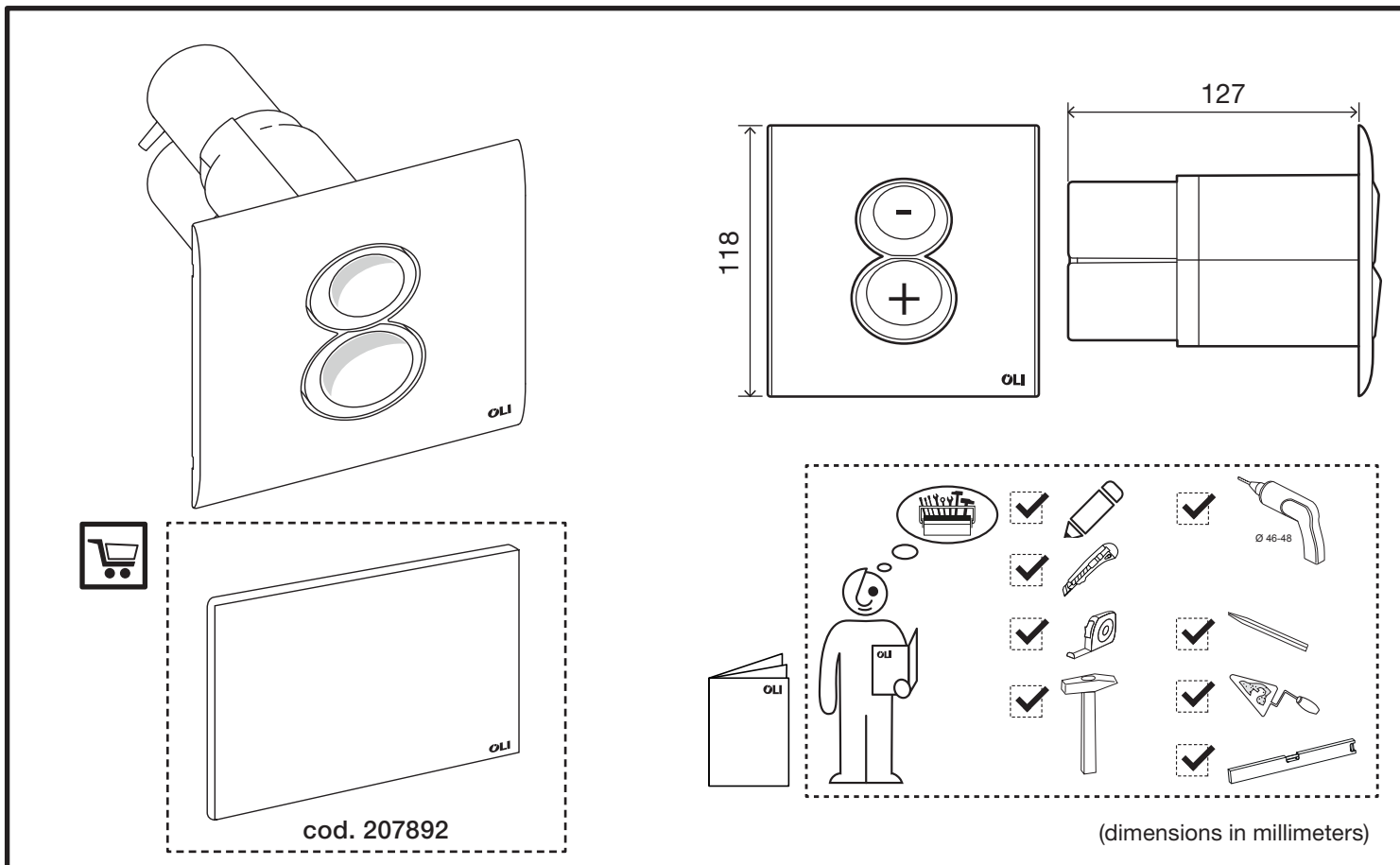
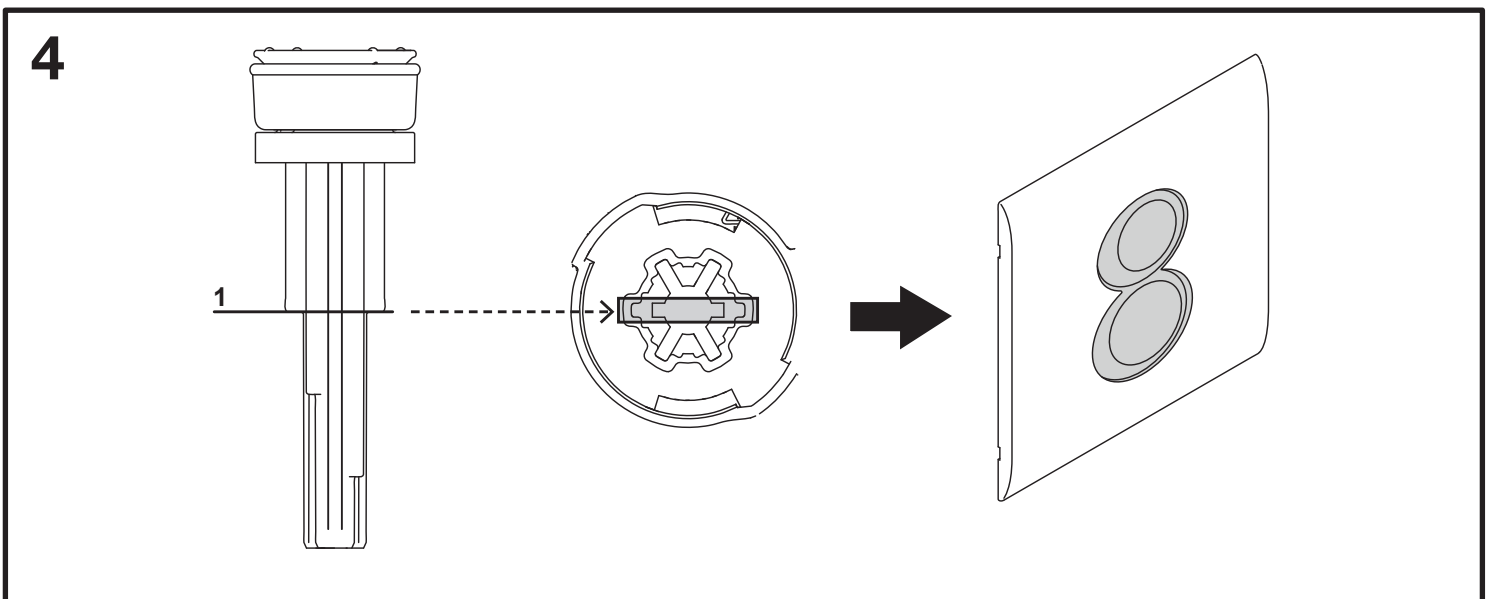
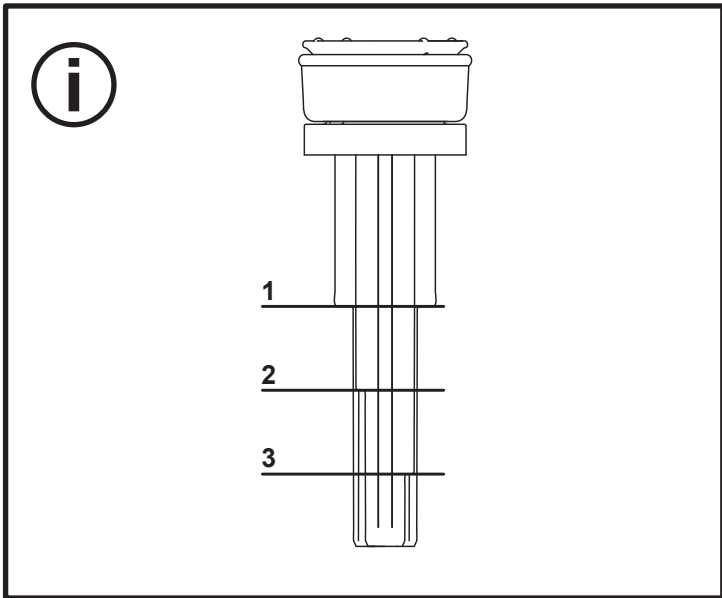
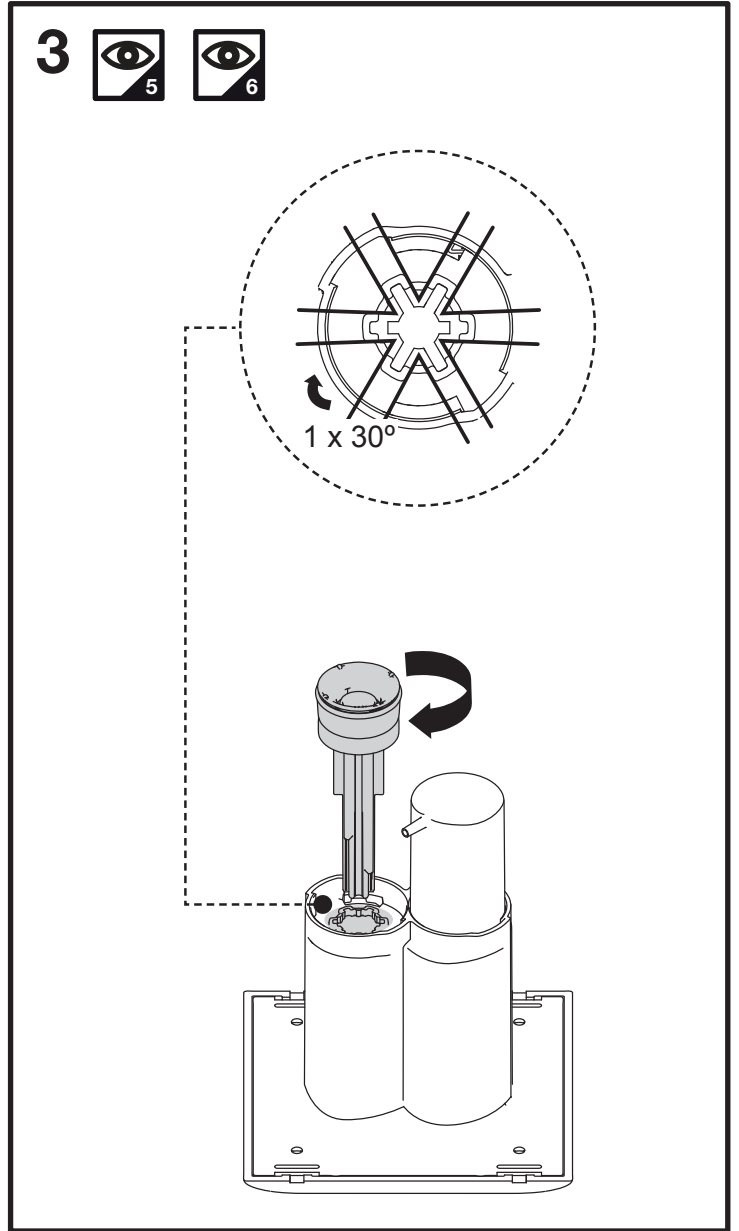
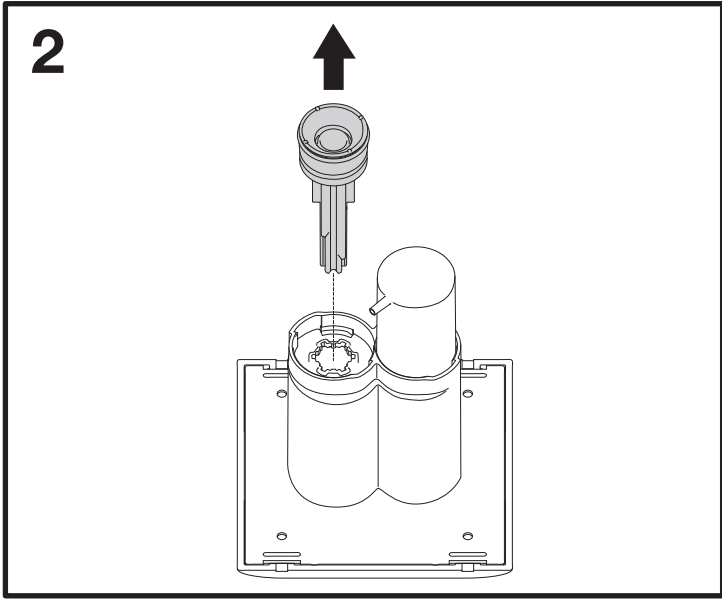


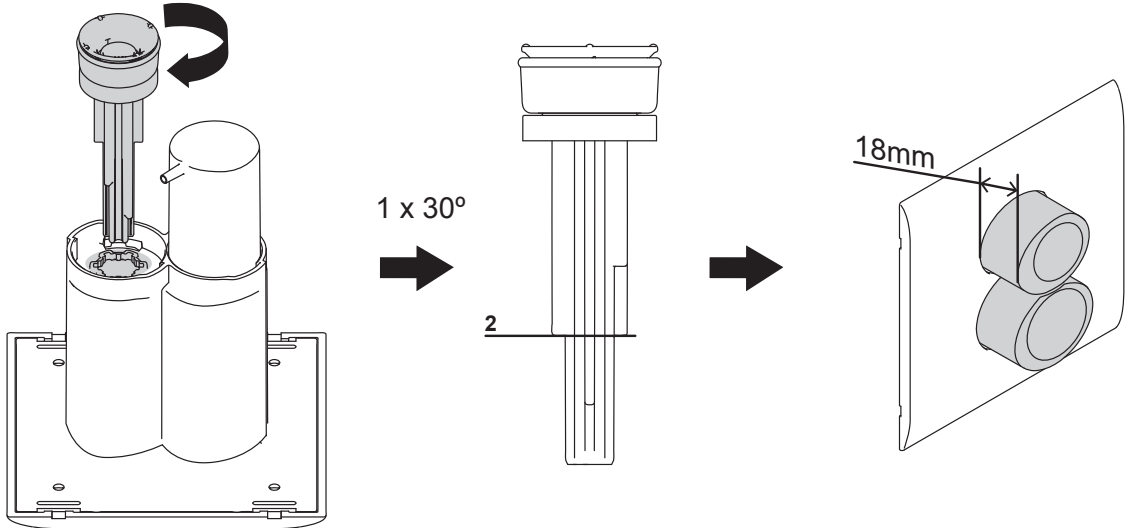
# EASY DUAL

PNEUMATIC





5



6

