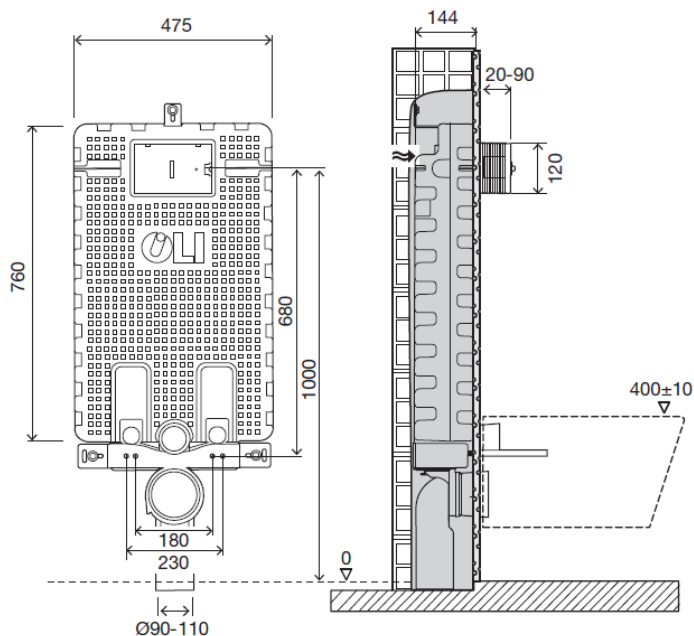


Technical Sheet

OLI120 Plus Mechanic OLIpure Block



Product Identification

153798

- OLI120 PLUS Mechanic OLIpure Block

Definition and Application

- Pre-assembled structure for setting in masonry walls, to installation of wall-hung sanitary appliances
- Flush cistern with interior cleaning system for WC pan
- Compatible with all wall-hung WC pans

Technical Features

Millimetres measures

Structure

- Metal, galvanized, corrosion resistant

Cistern

- Dual flush in-wall cistern compatible with either dual or single flush actuators 6/3 litres (adjustable to 4/2 and 7/3)
- 144mm thickness
- Mechanic actuation
- Equipped with Azor Plus Inlet Valve, with delayed refilling (saves up to 9 litres of water per day) and silent according to the NF standard category Class I
- Working pressure from 0,1 to 16 bar
- Resistance to atmospheric humidity (Hr <90%).
- Polypropylene (PP) cistern highly resistant and inalterable to thermal stress
- EN 14055 marking CL1
- Other versions compliant with: WRAS/NF/KIWA/BELGAQUA standards
- Supplied with robust Anti-condensation lining

OLIpure System

- Simple refilling system through a control plate of the cistern
- Compatible with all the existents detergent on the market (except those containing hydrochloric acid) *
- Storage capacity:450ml

Accessories

- 1 Flush pipe $\varnothing 90 \times 250$
- 1 Seal for flush pipe $\varnothing 125$
- 1 Connecting pipe $\varnothing 45 \times 180$
- 1 Pan rubber seal $\varnothing 45$
- 1 Protective box
- 1 G 1/2" stop valve
- 1 Protection sponge for the stop valve
- 1 Flush bend $\varnothing 90 / 90$ L230
- 1 Outlet bend and $\varnothing 90/110$ adaptor
- 1 Protection pipe $\varnothing 90$

Fixing accessories for wall structure:

- 3 Galvanized screws M8x70
- 3 Galvanized washers M8 DIN 9021
- 3 Bushing M8

Fixing accessories for toilet bowl mounting on the structure:

- 2 Threaded rods M12
- 2 Protection for threaded rod
- 2 Protection cover
- 2 Toilet centring washer
- 2 Nuts M12
- 2 Washers $\varnothing 34$

Technical Sheet

OLI120 Plus Mechanic OLIpure Block



Warranty

- For the terms of warranty please visit www.oli-world.com

Observations

- There are available similar products. For more information please consult our Sanitary Installation Systems catalogue or our site www.oli-world.com

*Is recommended the use of chlorine-free liquid detergents with a viscosity between 150 and 300 cp (at 20 ° C)
cp* is a unit of measure of viscosity, it reads "centipoise"