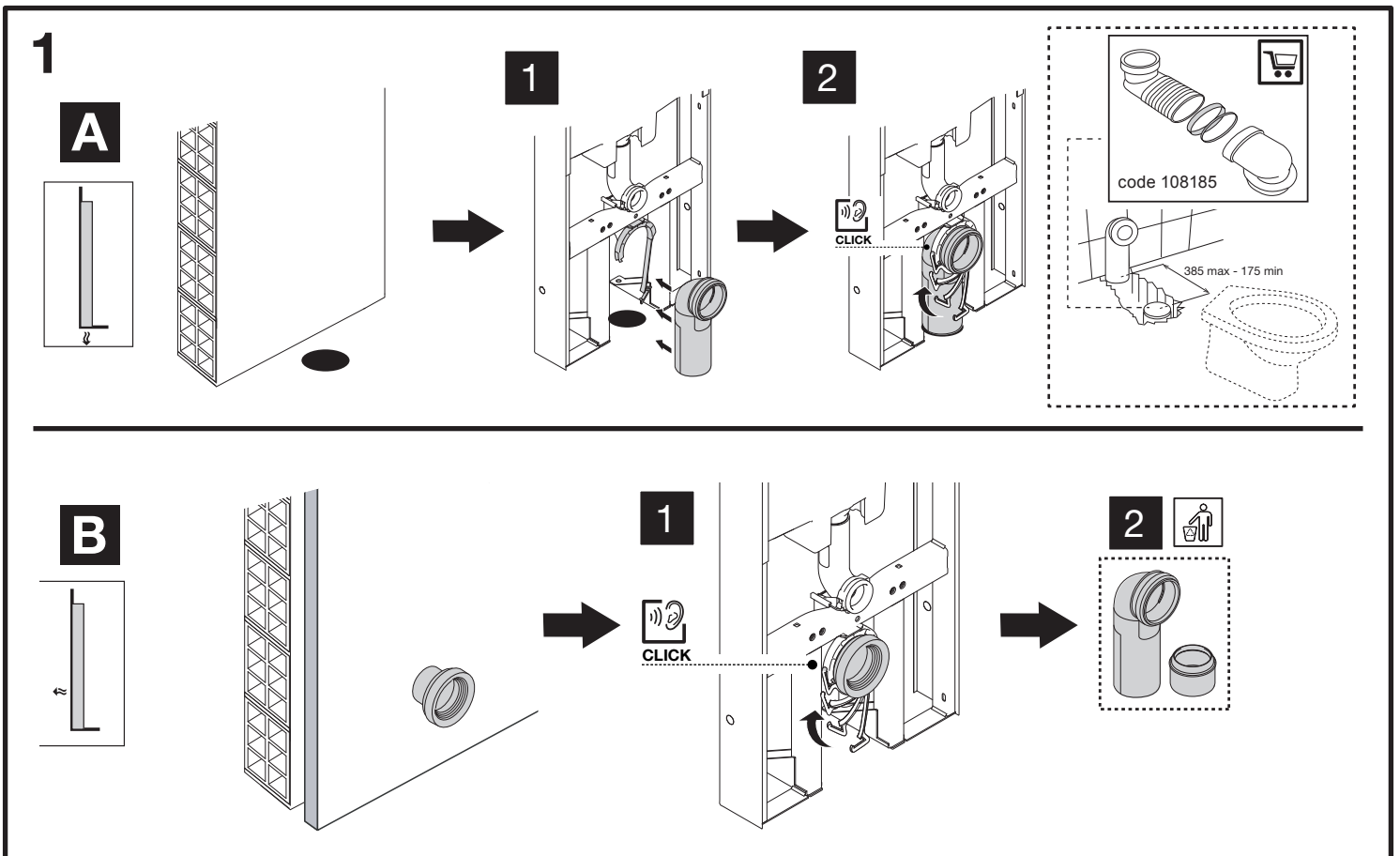
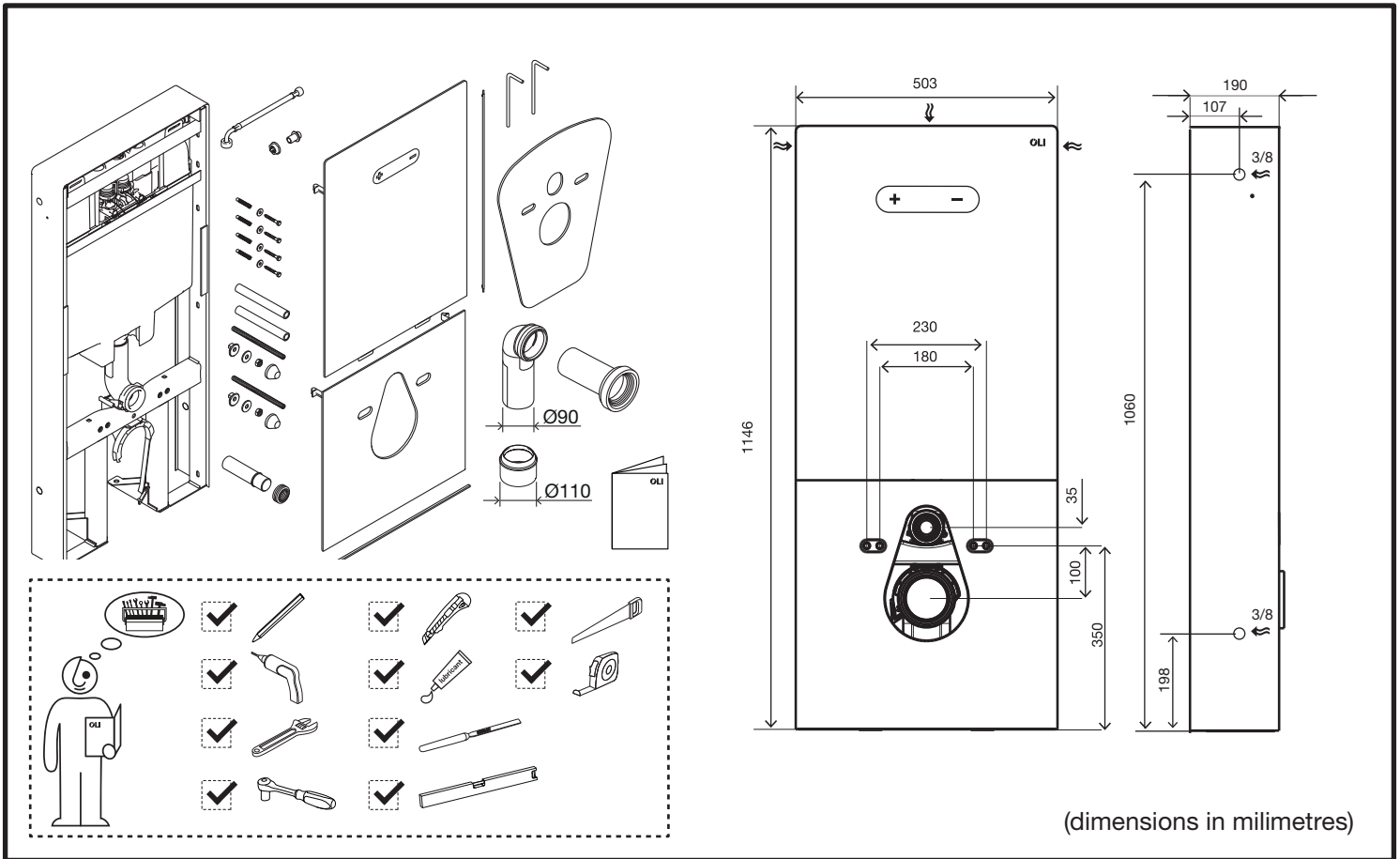


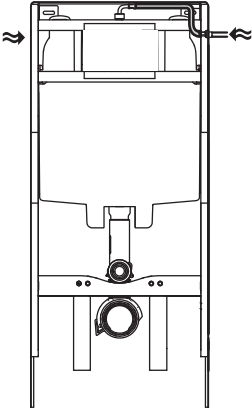
QR-INOX

PNEUMATIC FREE-STANDING

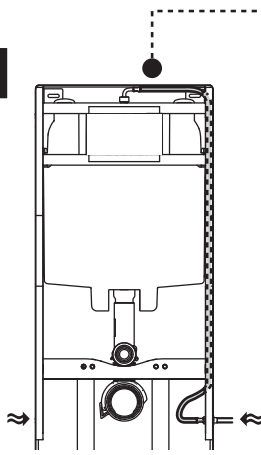


2

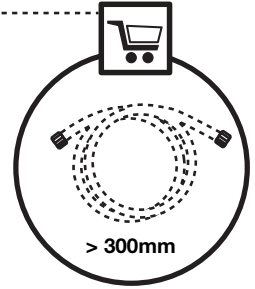
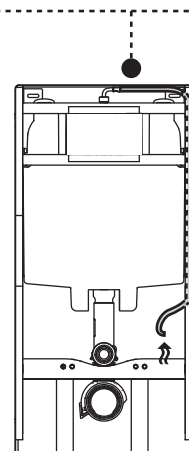
A



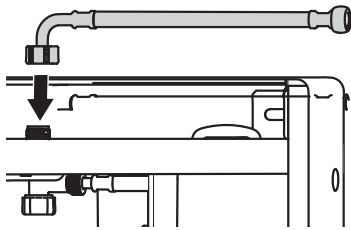
B



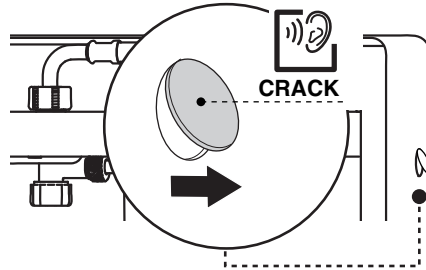
C



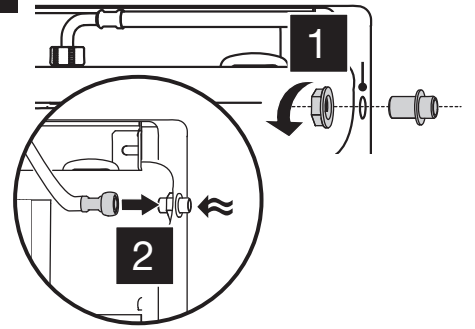
1 A|B|C



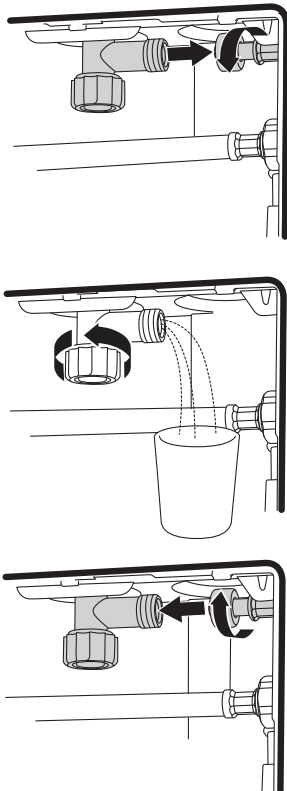
2 A|B



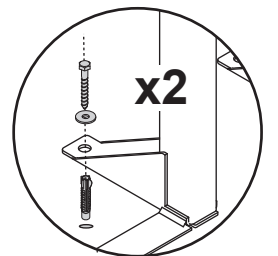
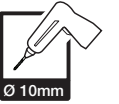
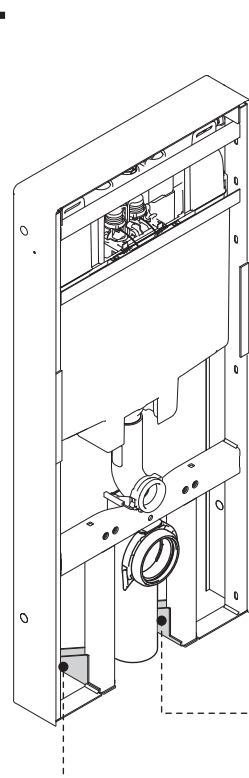
3 A|B

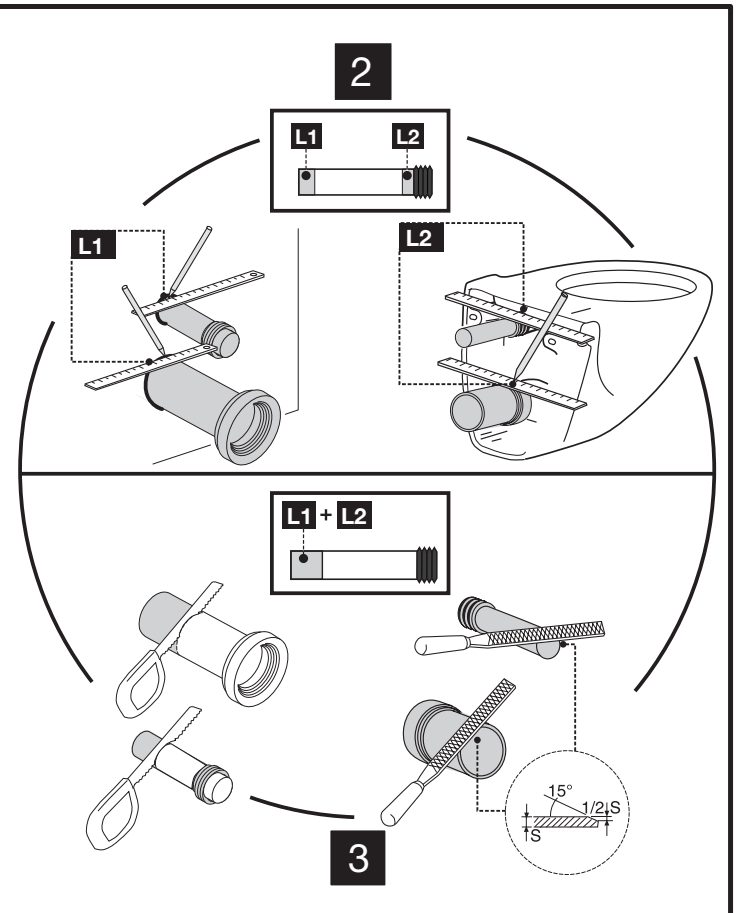
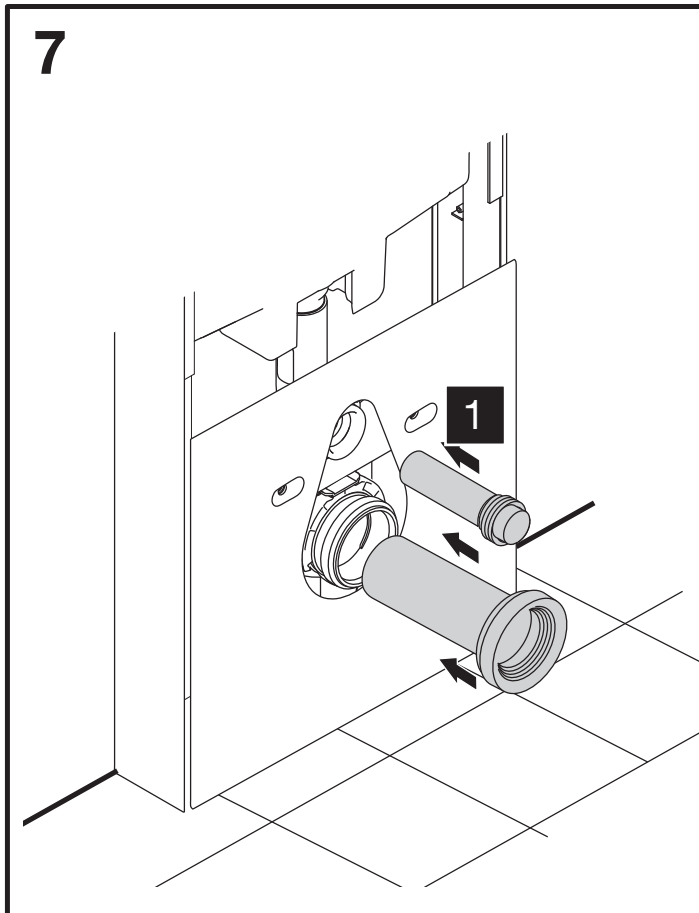
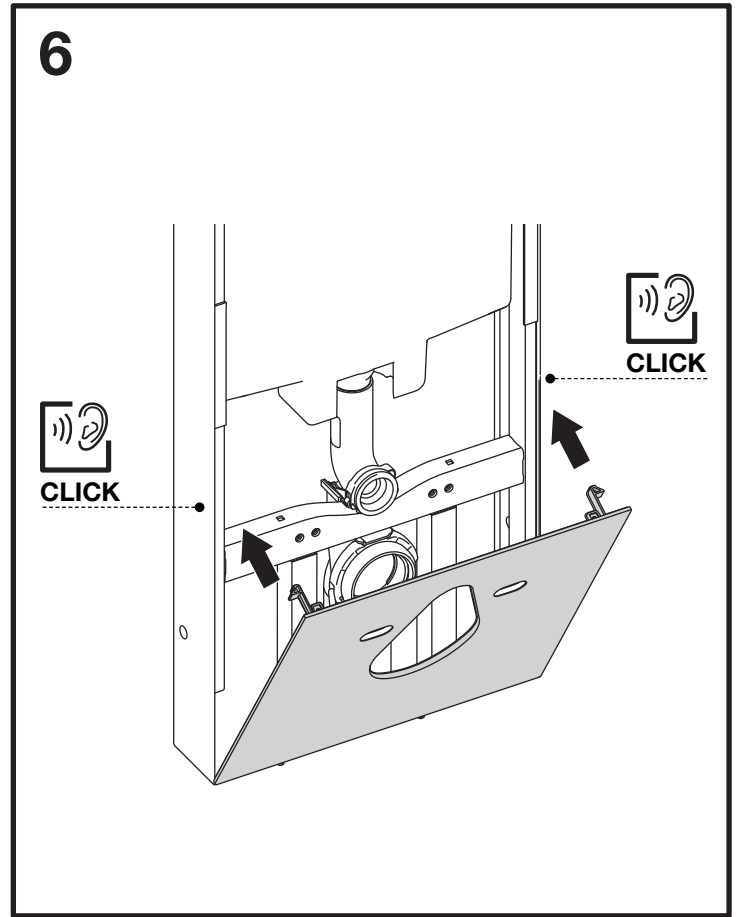
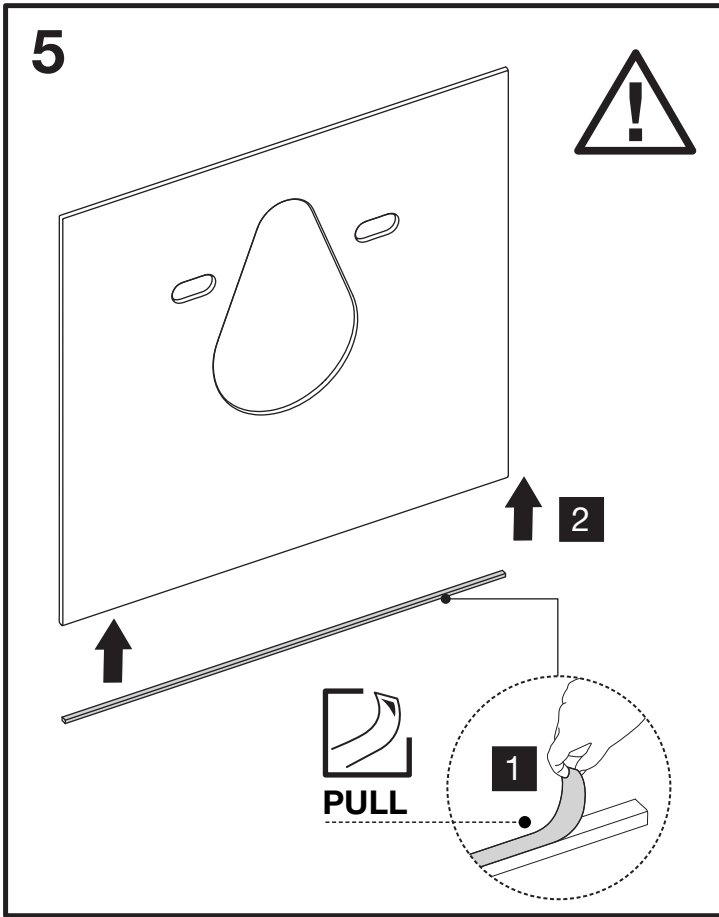


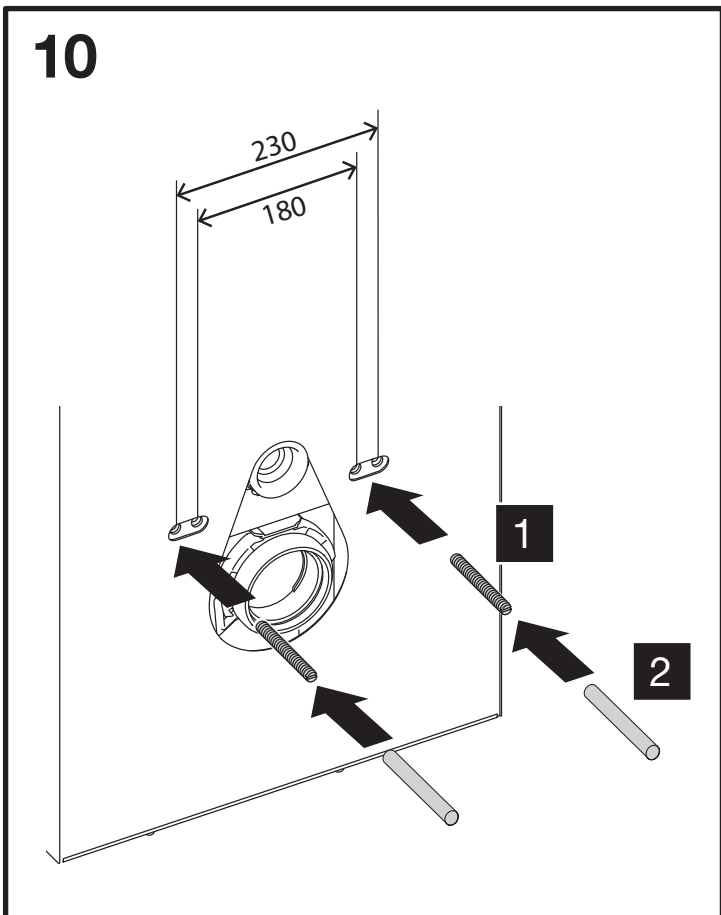
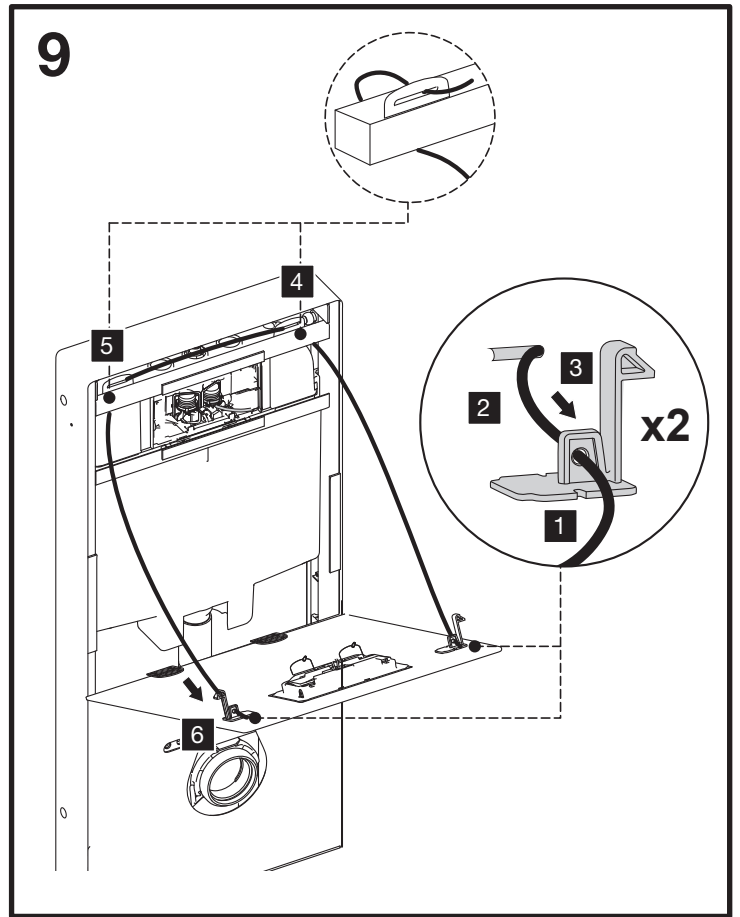
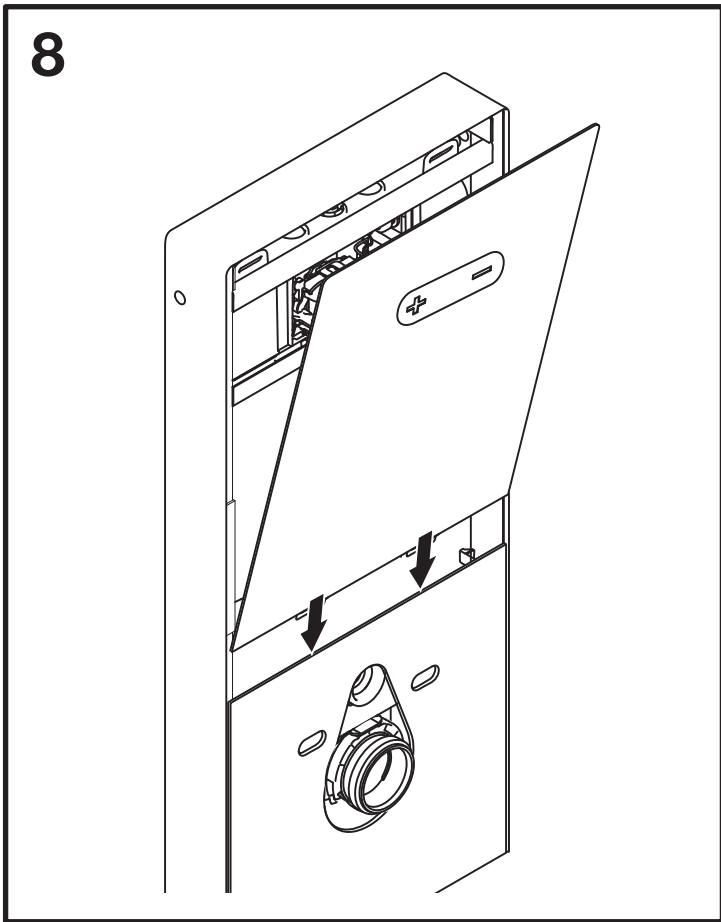
3



4







12

