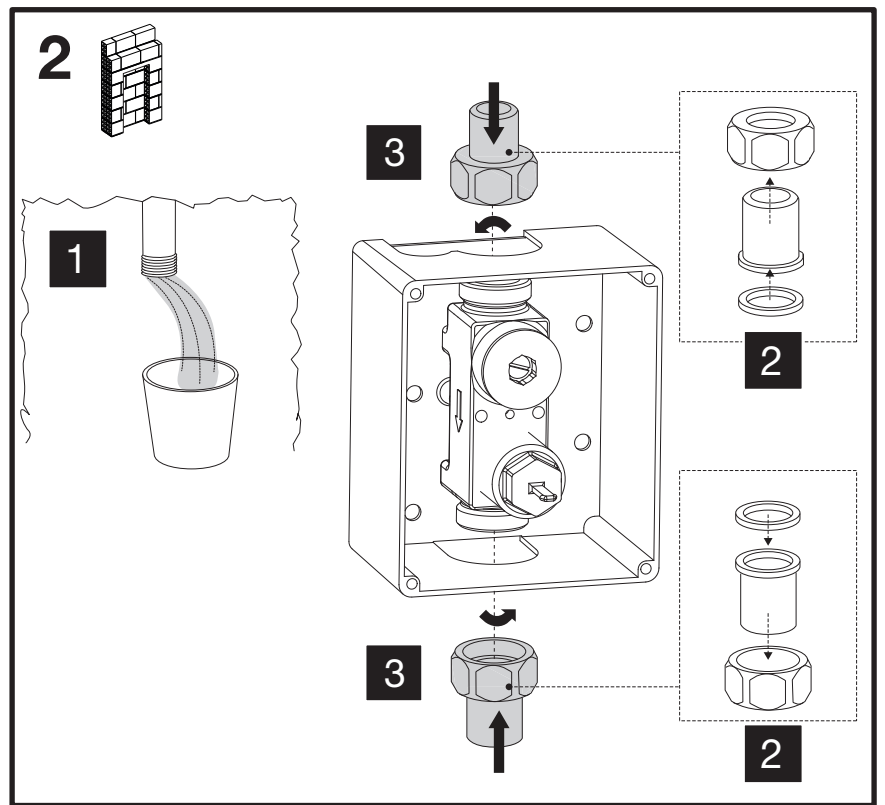
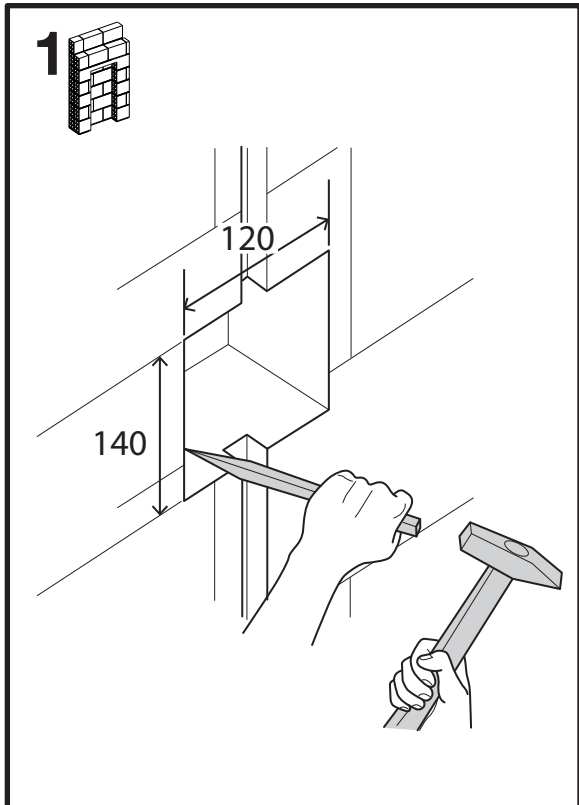
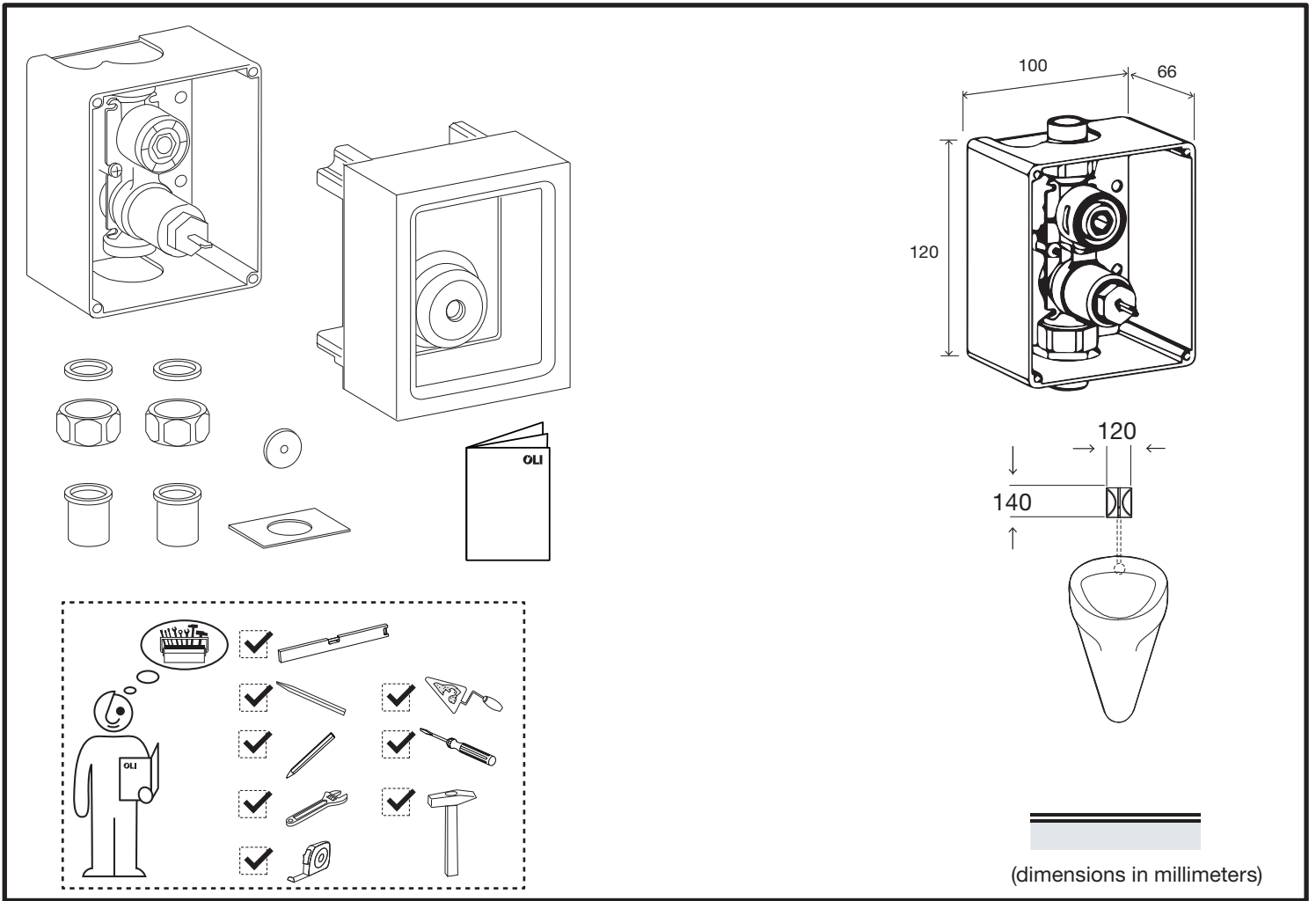
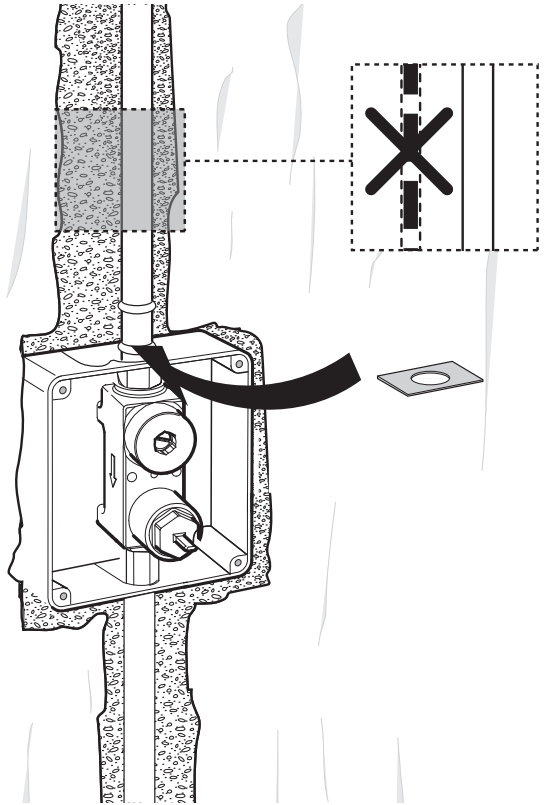
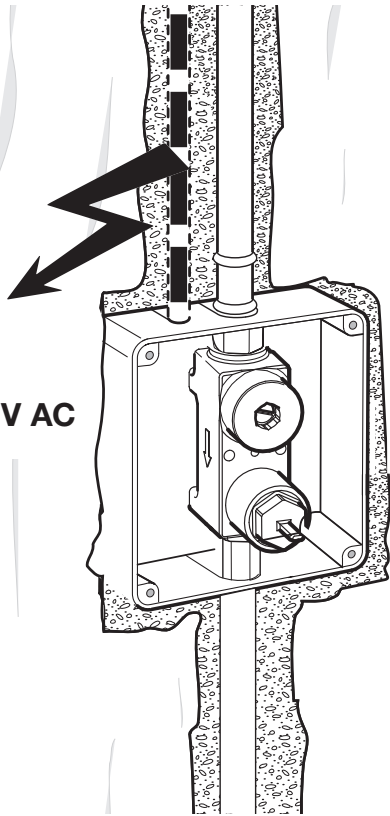


URINAL CONCEALED

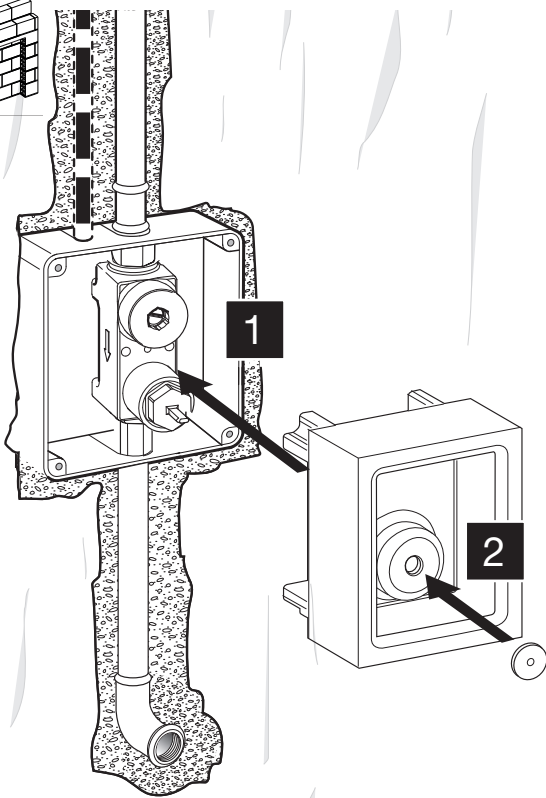
PRE INSTALLATION



3



4



5

