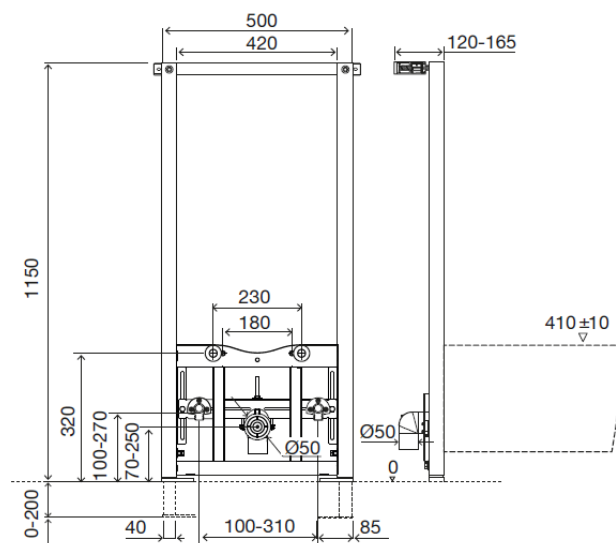


# Technical Sheet

## Bidet Sanitarblock



### Product Identification

136078

- Bidet Sanitarblock

### Definition and Application

- Preassemble structure for wall-hung bidet, for built-in or plasterboard wall installation

### Technical Features

#### Structure

- Painted tubular with 1,5mm thickness, corrosion resistant
- Easy and quick installation with Fast Fit system
- Height adjustable (0 – 200 mm)
- Frame tested for 400kg load

#### Accessories

- 1 Outlet bend  $\varnothing$  40-32/50-40
- 1 Protection pipe  $\varnothing$  40
- 2 G  $\frac{1}{2}$  fittings for water connection

#### For fixing in wall and floor

- 4 Screws M8 x 60
- 4 Washers ZN DIN 9021 M8
- 4 Bushing for metal structure
- 2 Fast Fit fixing

#### For fixing bidet to structure

- 2 Threaded rods M12
- 2 Nuts M12
- 2 Protection for threaded rod
- 2 Protection cover
- 2 Toilet centring washer
- 2 Washers Zn  $\varnothing$  34

Millimtres measures

# Technical Sheet

Bidet Sanitarblock



## Warranty

- Ten (10) years warranty according to the general selling terms, starting from the purchase date of the product.
- If the product is not correctly installed the warranty is not valid

## Observations

- There are available similar products. For more information please consult our Sanitary Installation Systems catalogue or our site [www.oli-world.com](http://www.oli-world.com)