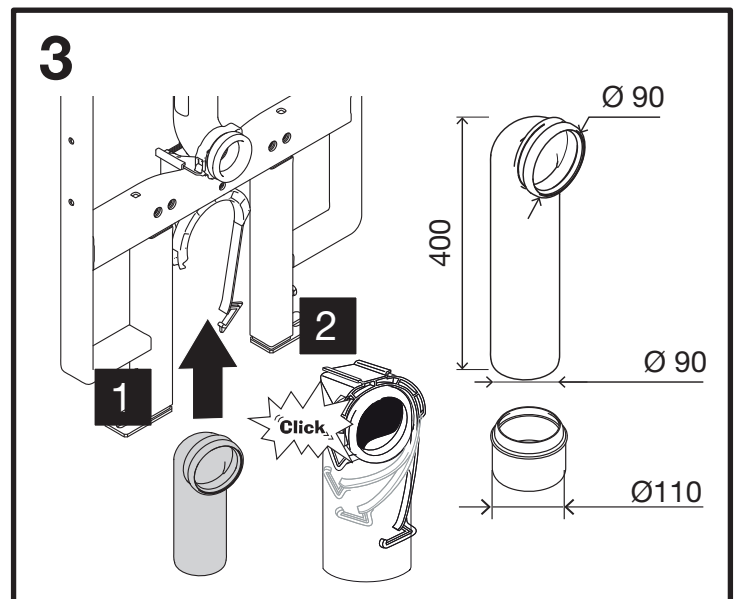
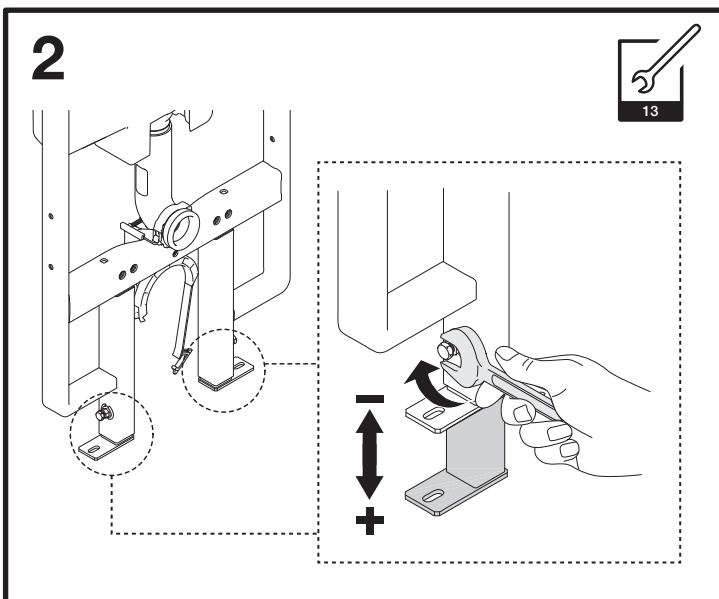
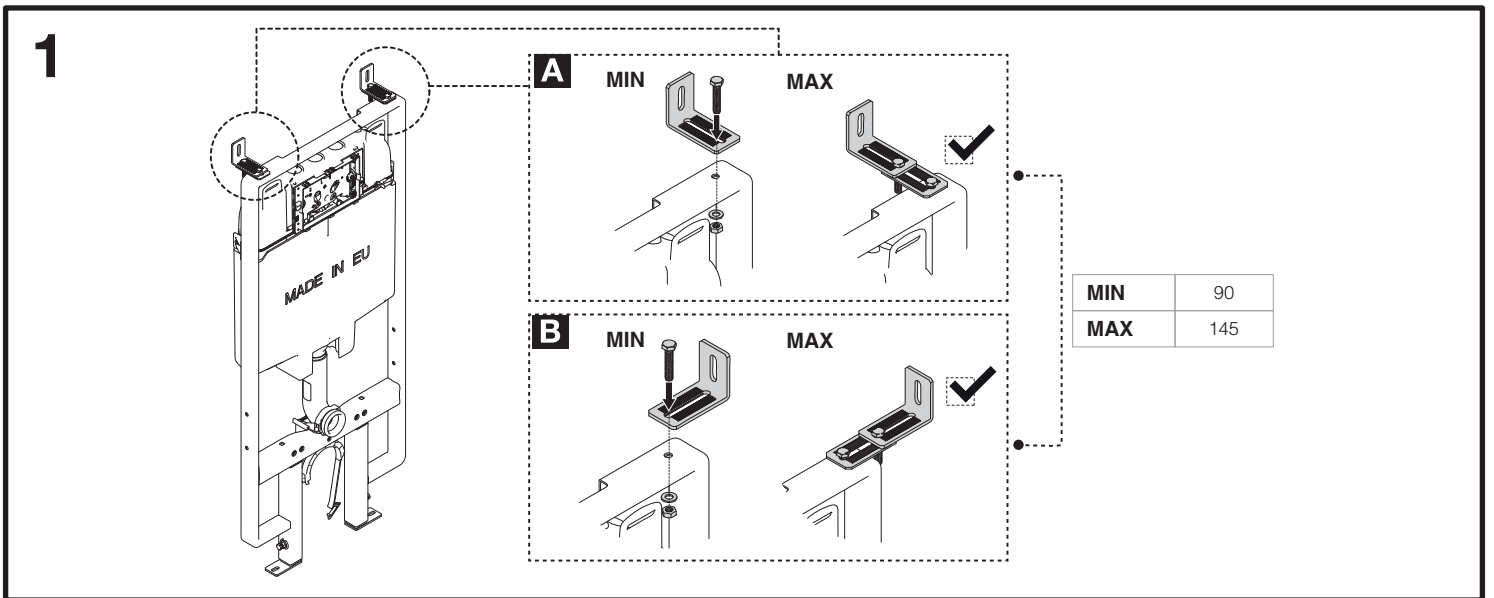
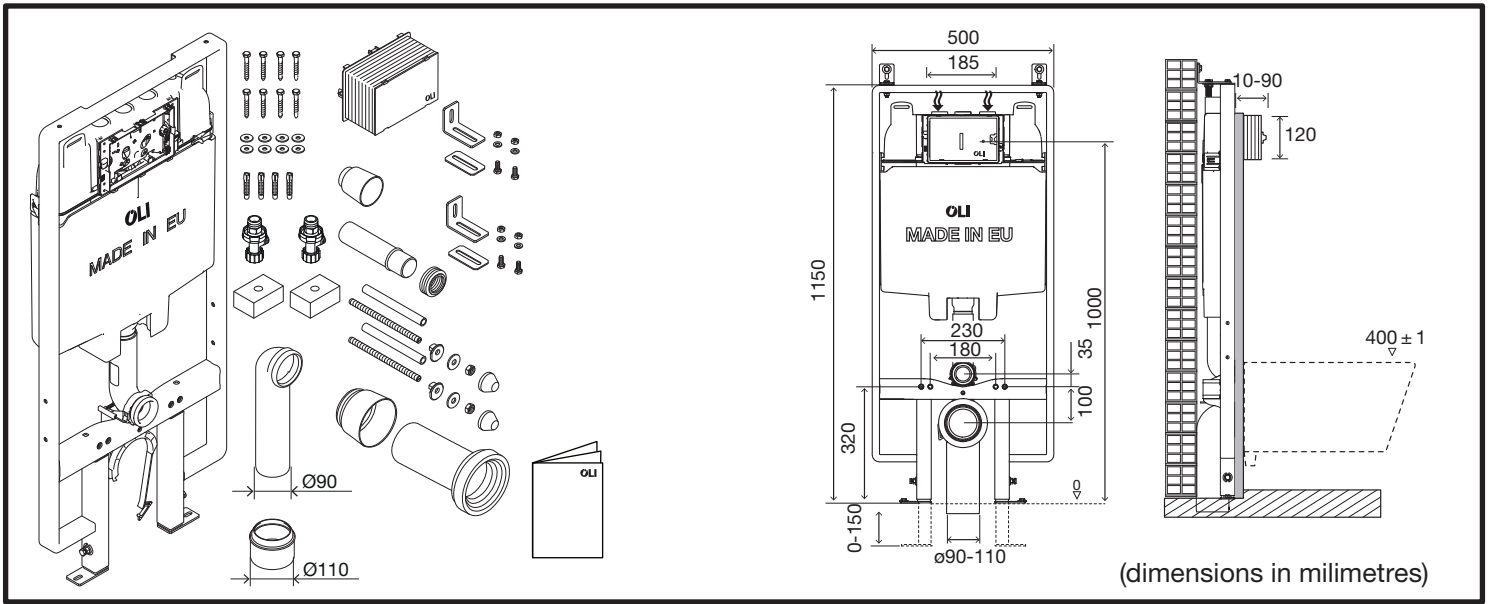
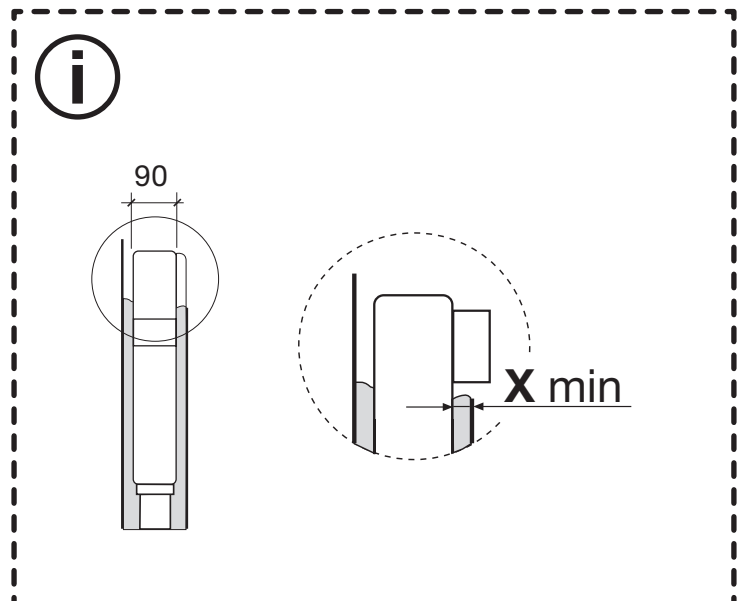
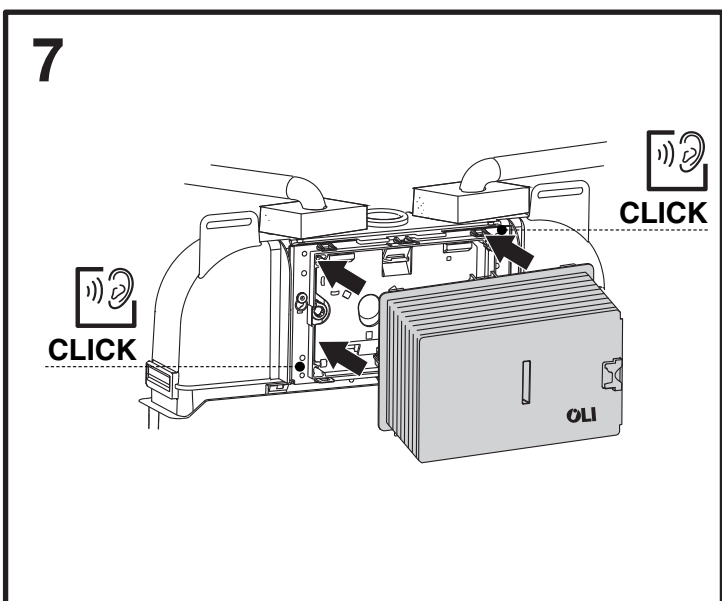
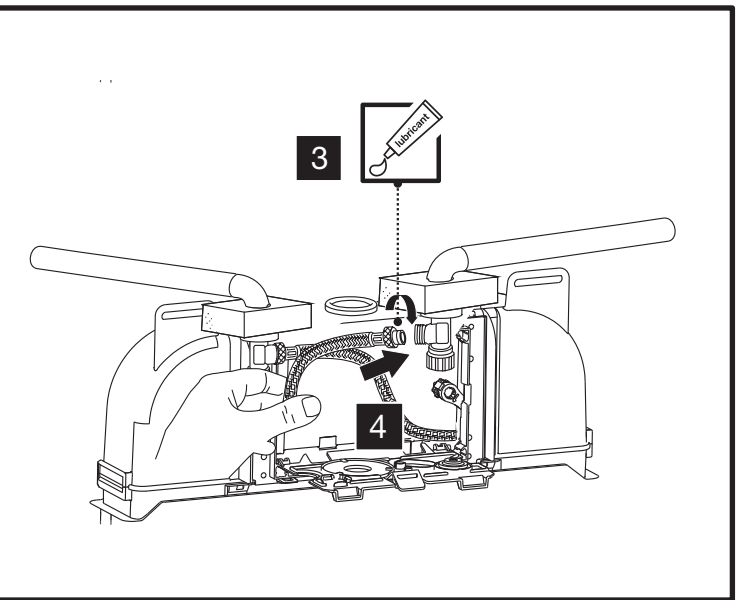
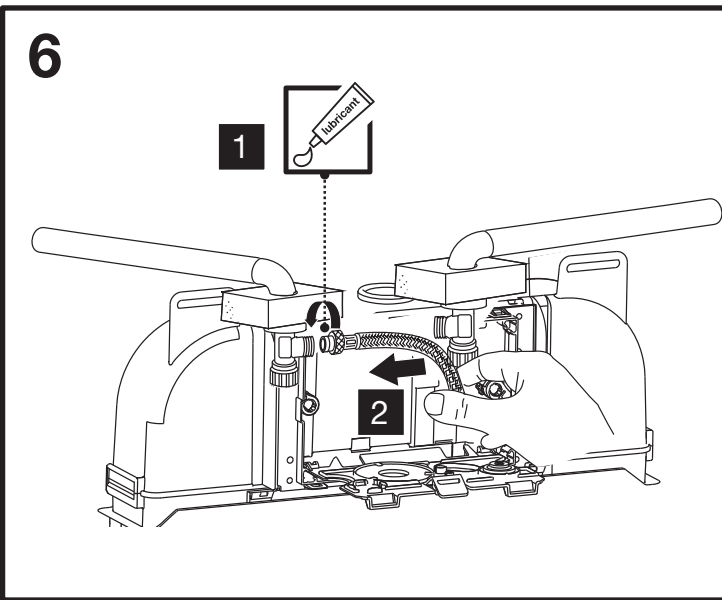
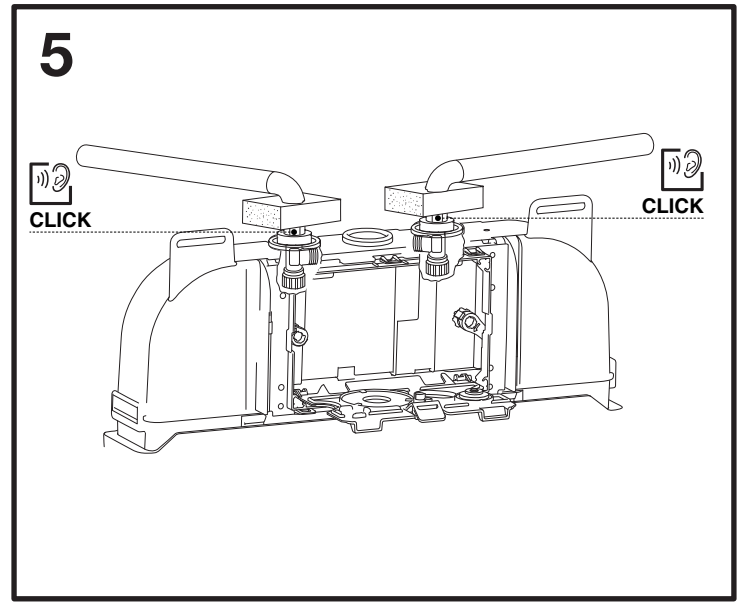
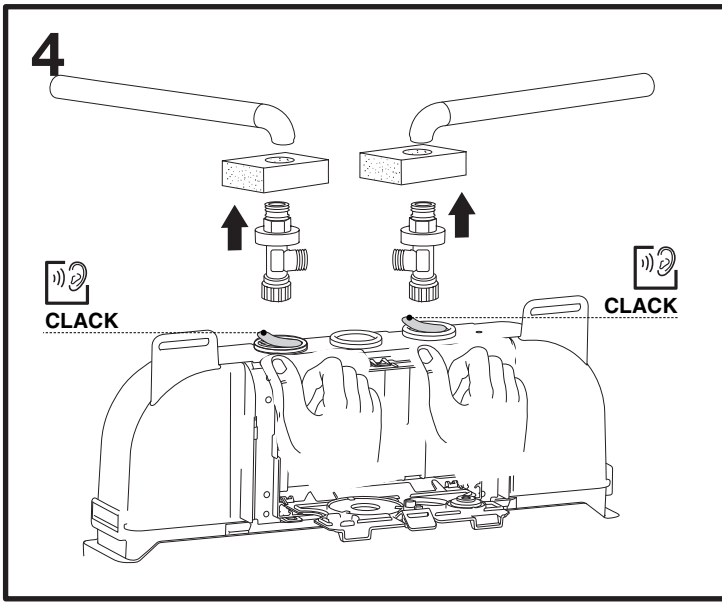


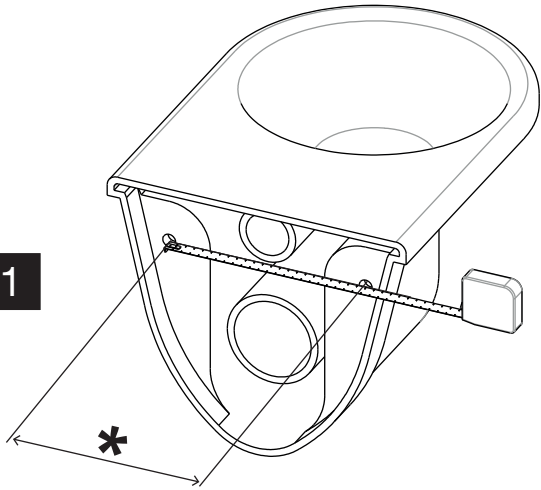
OLI74 PLUS S90 | 2 INLET VALVE



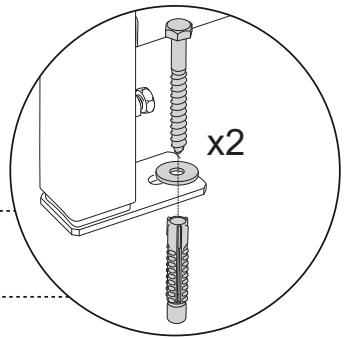
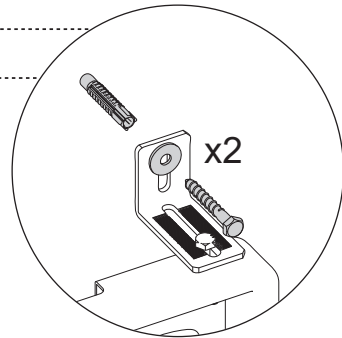
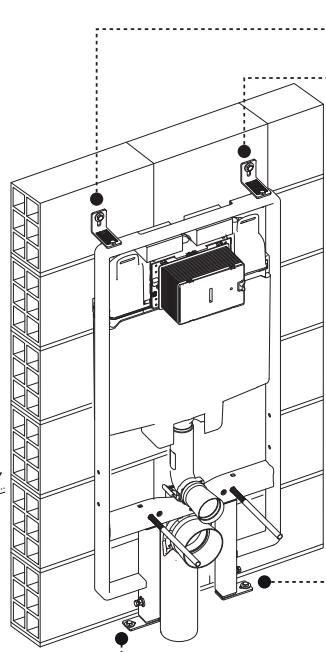
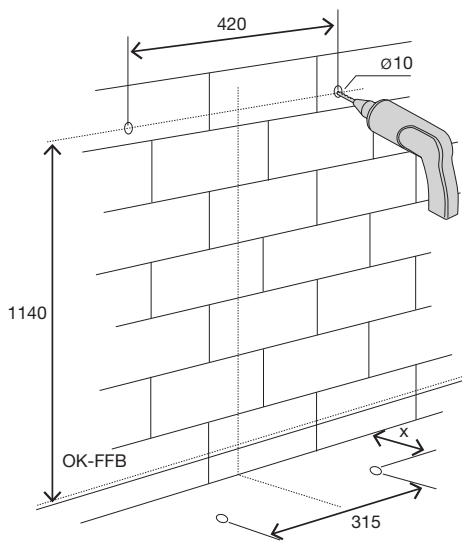
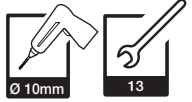
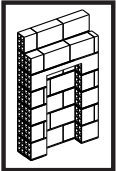
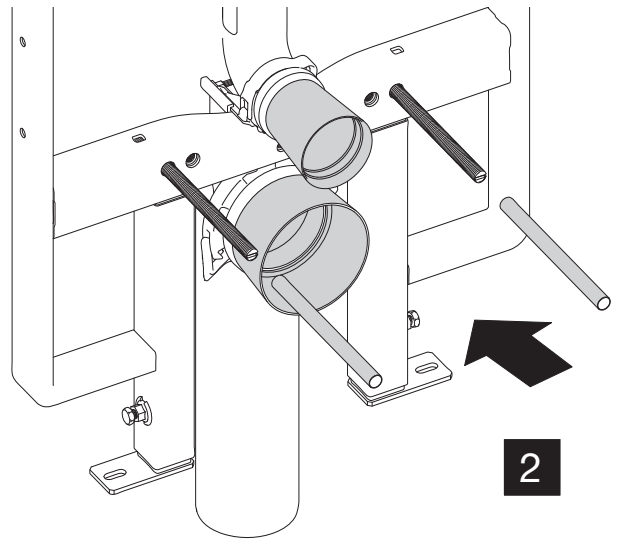


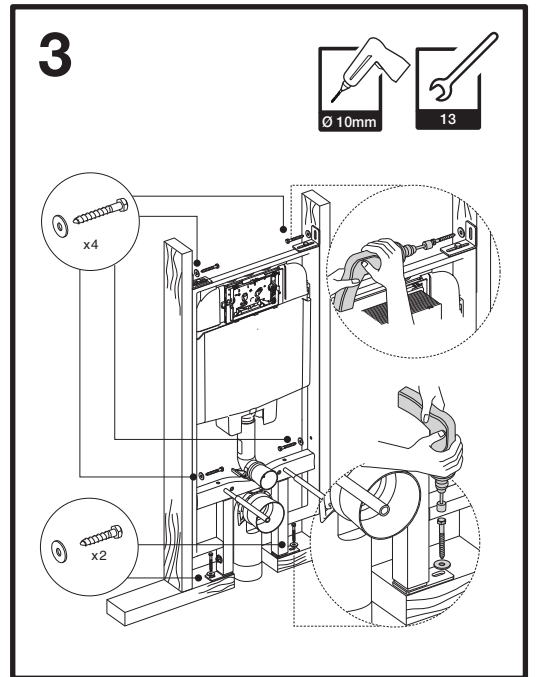
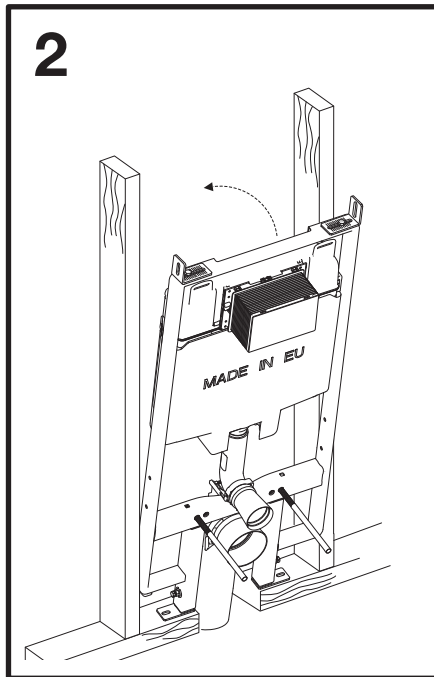
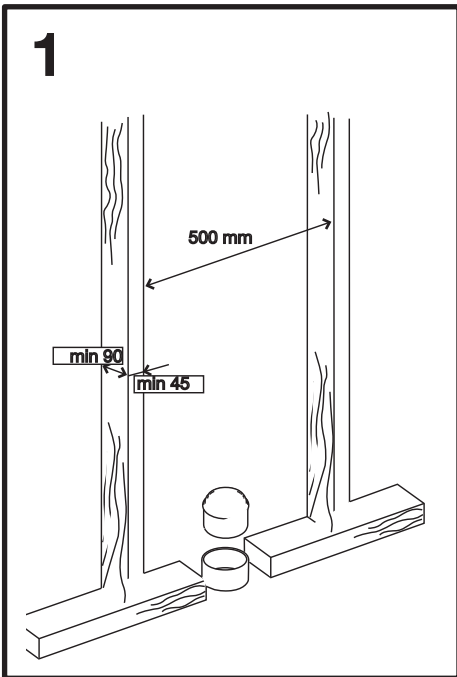
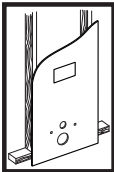
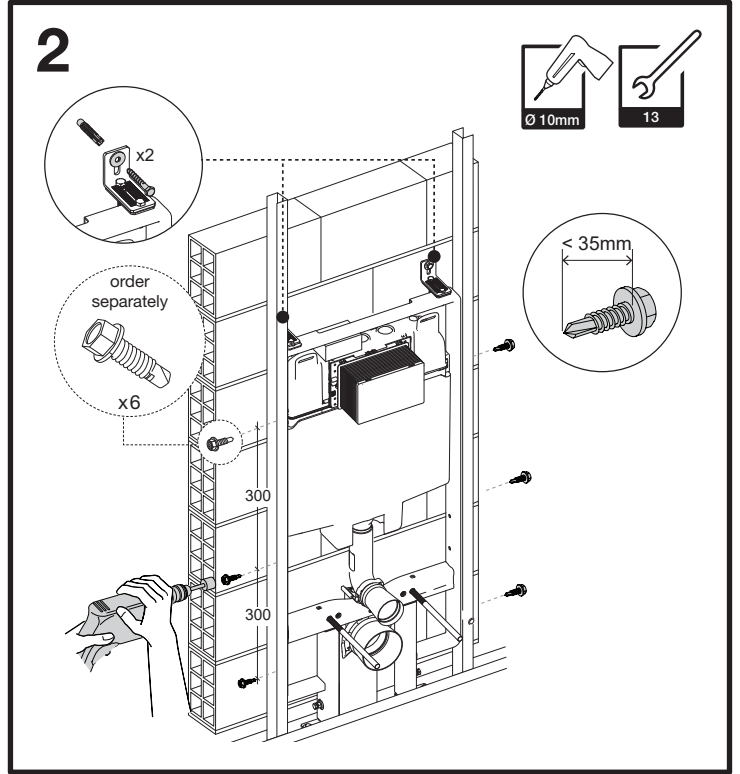
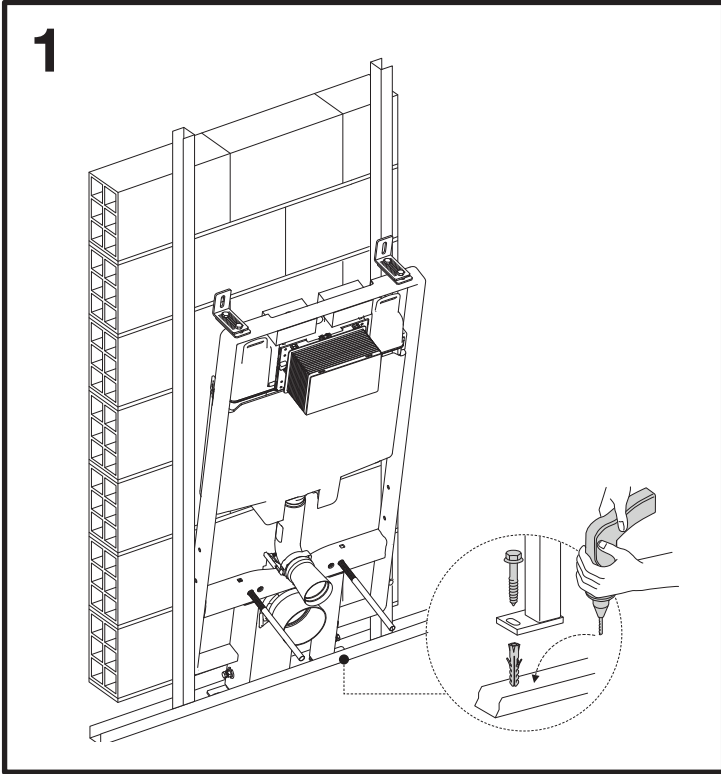
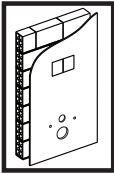
8

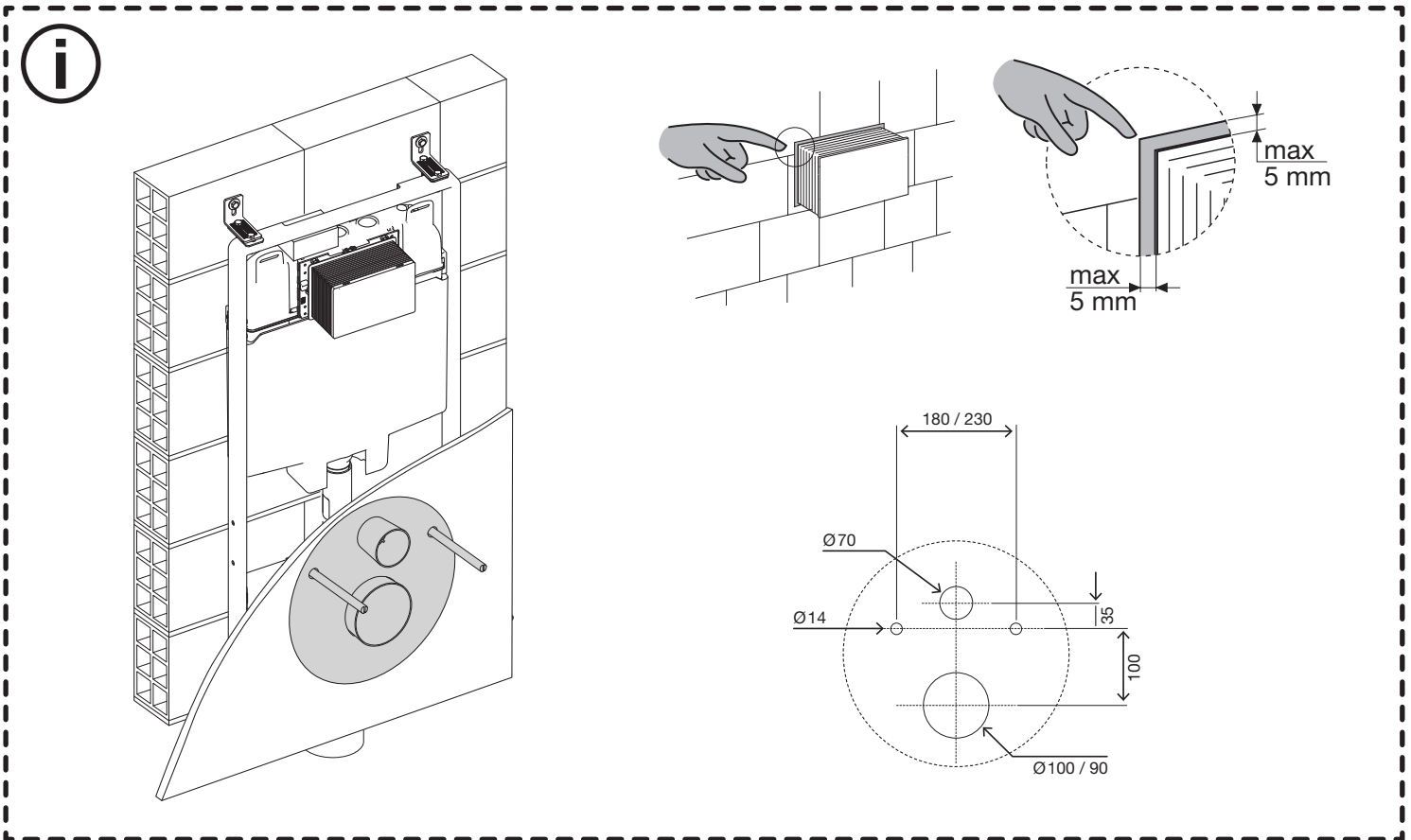
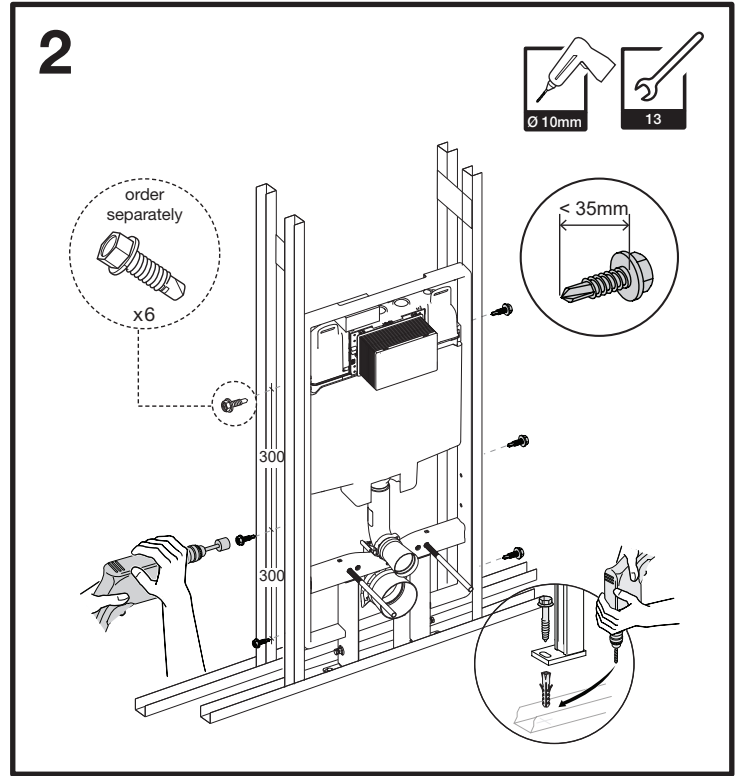
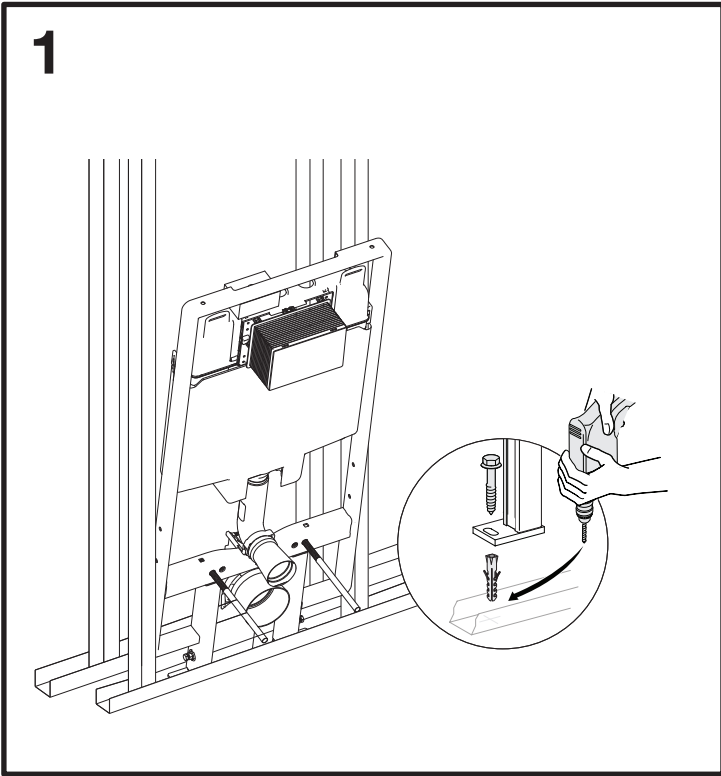
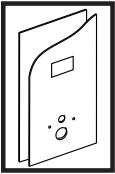
1

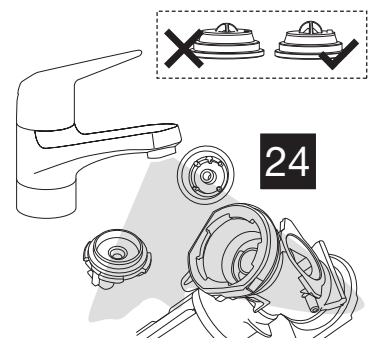
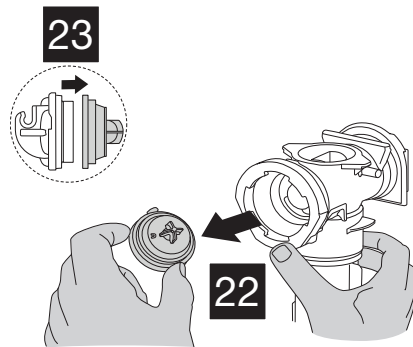
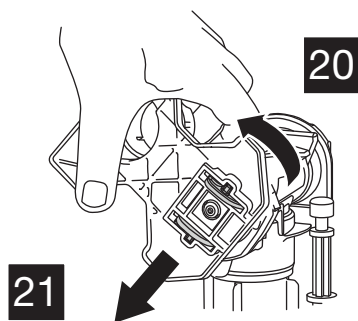
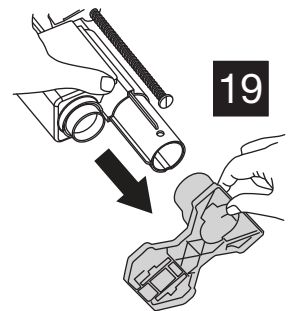
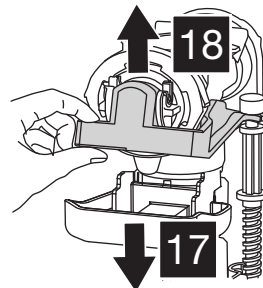
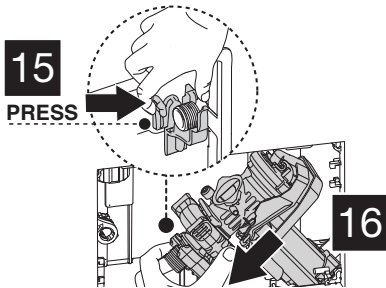
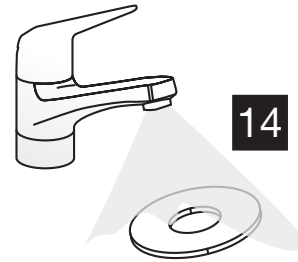
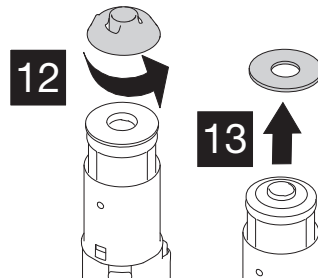
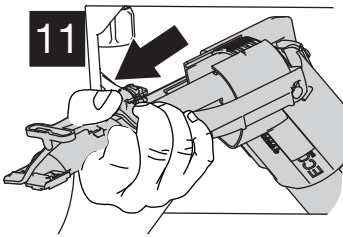
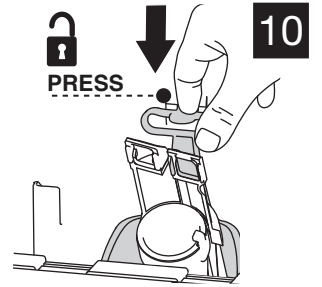
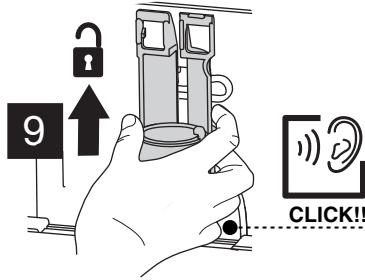
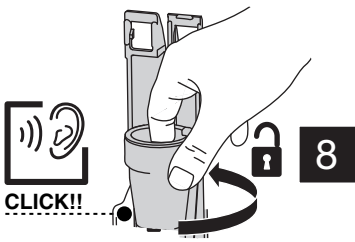
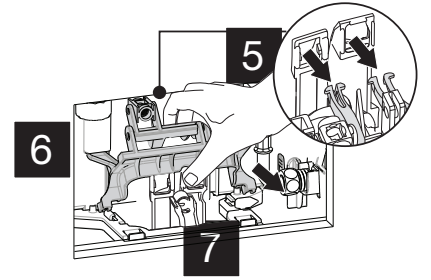
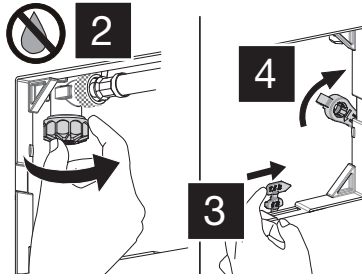
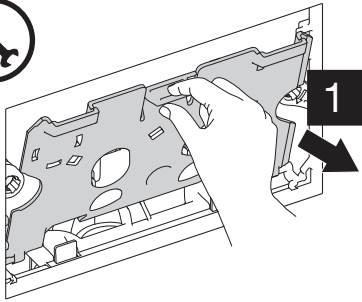


2



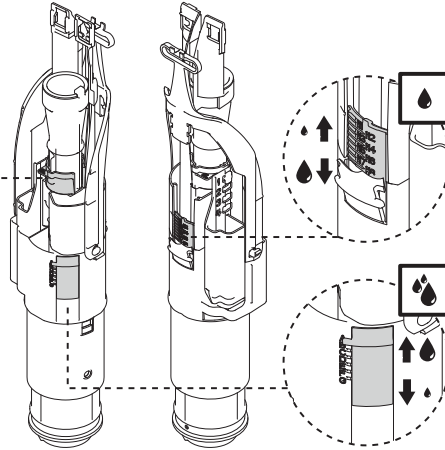
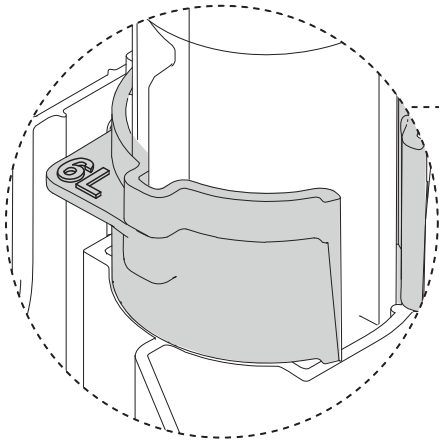








6L



4.5L

