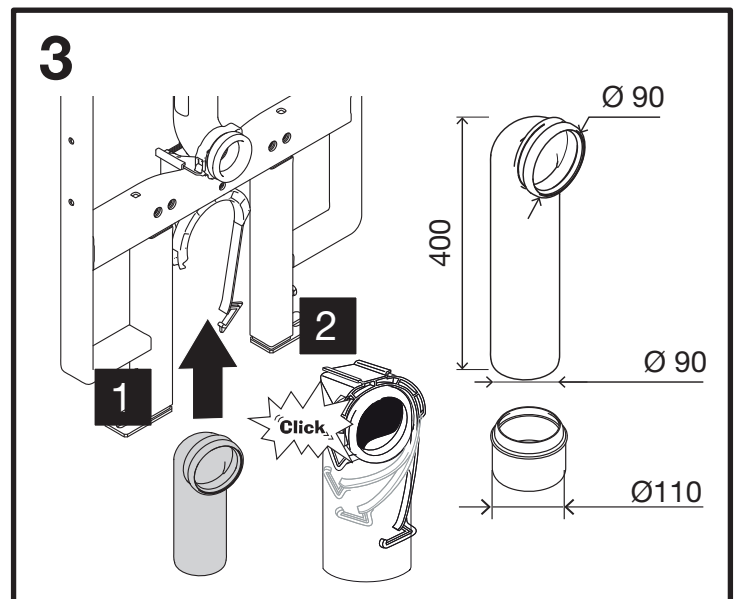
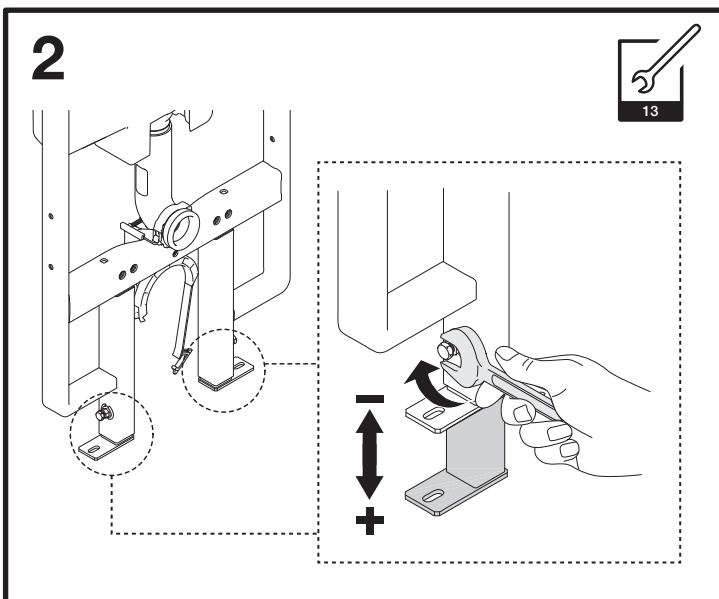
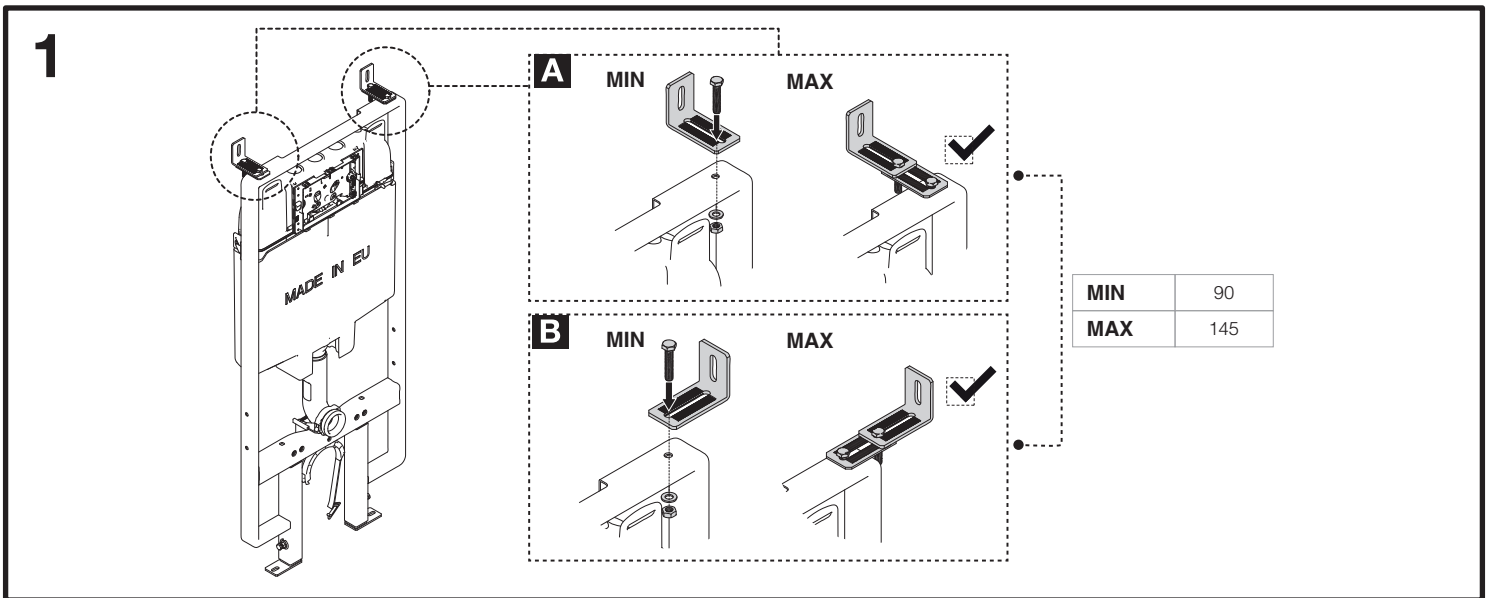
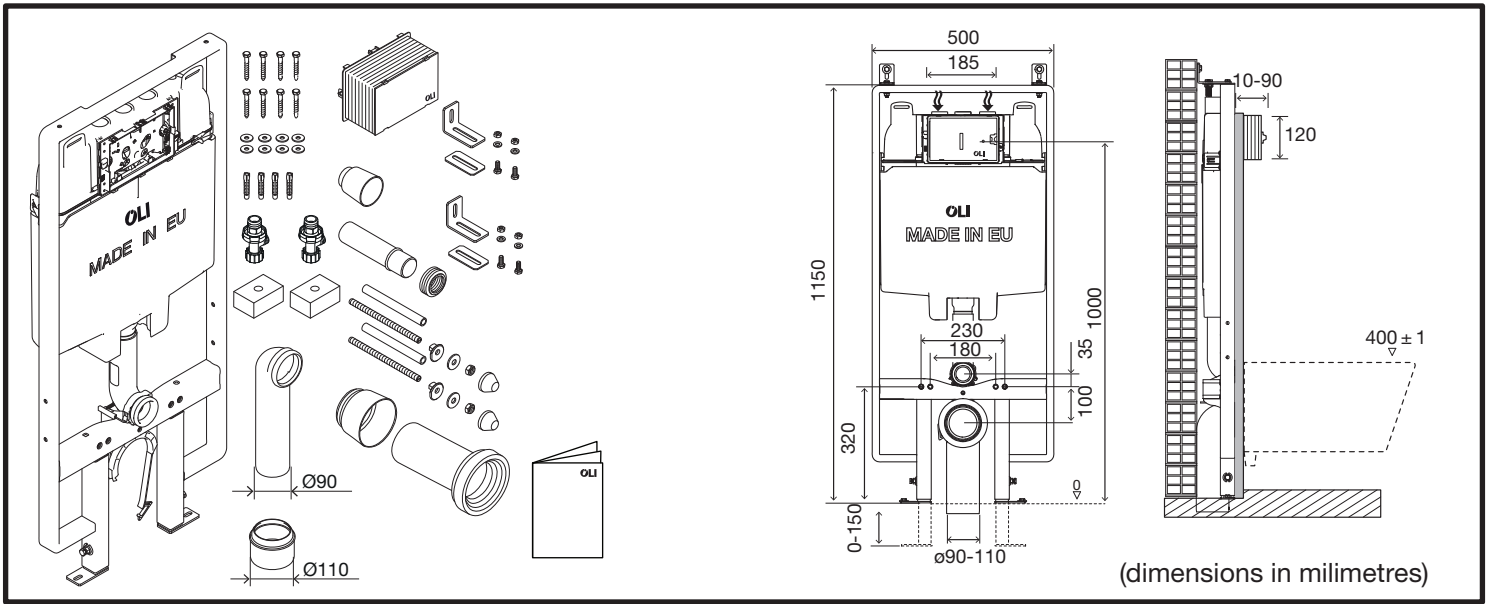
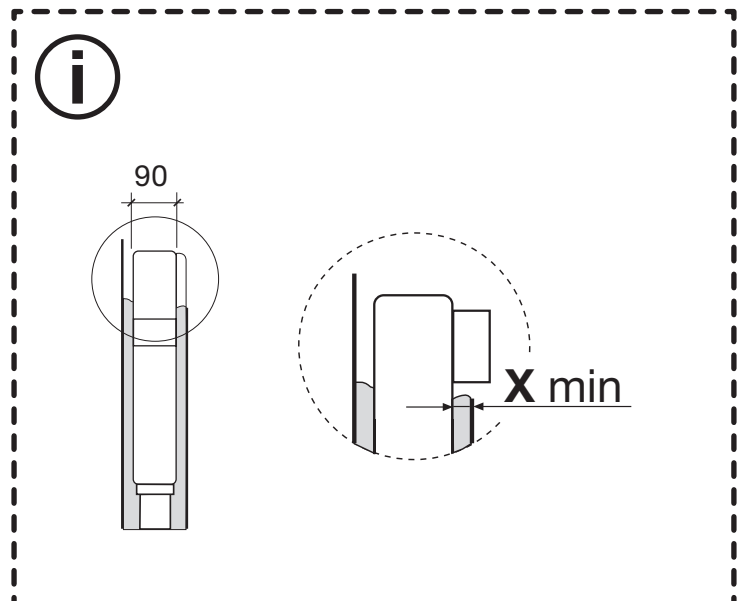
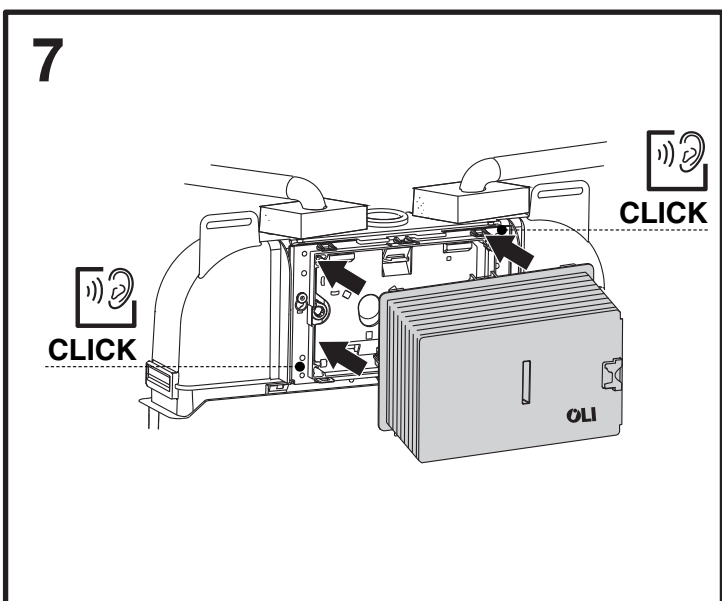
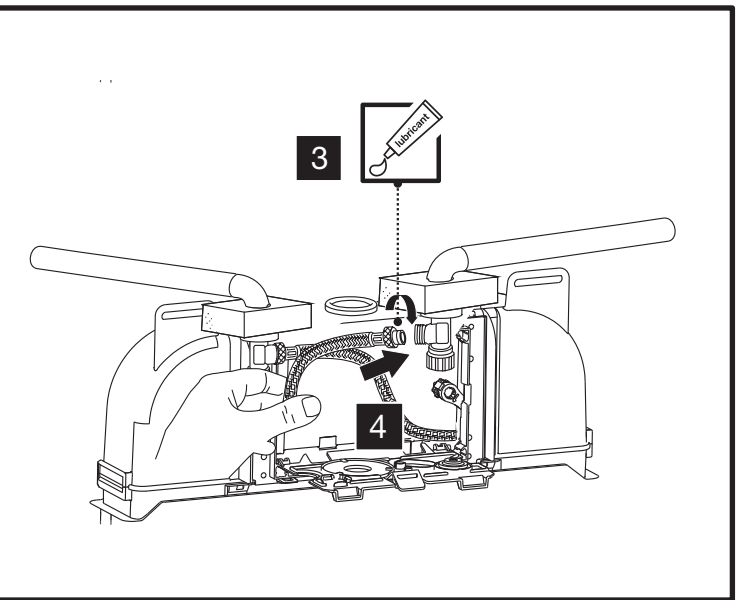
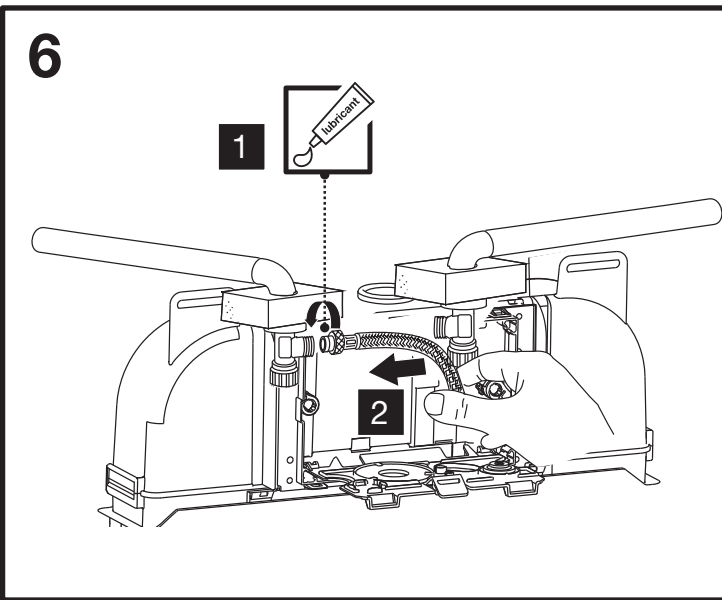
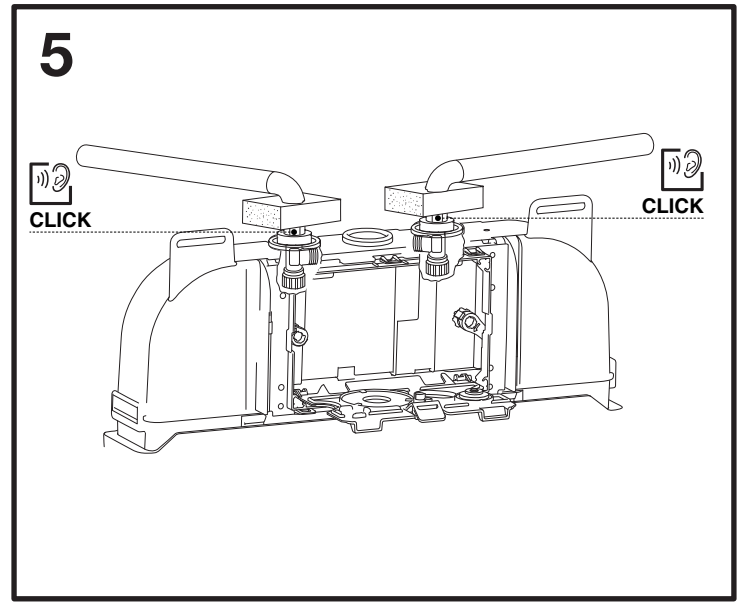
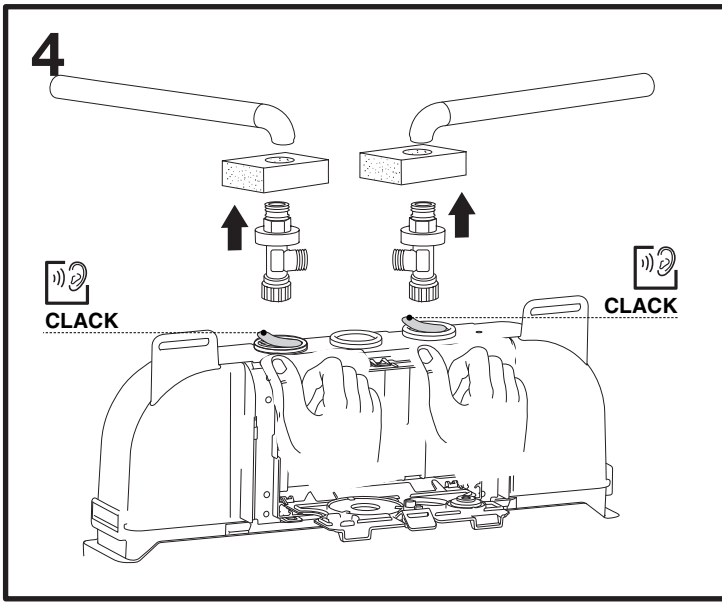


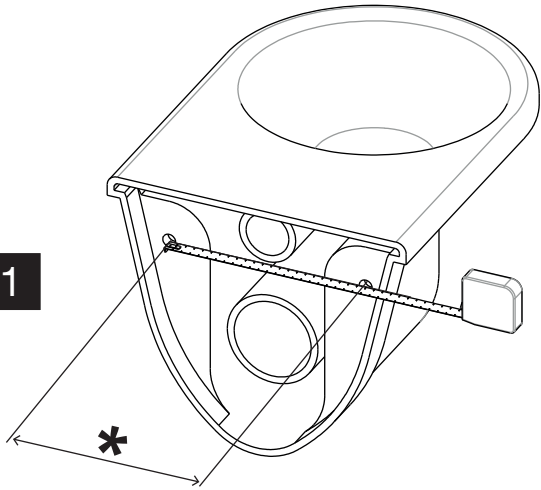
OLI74 PLUS S90 | 2 INLET VALVE



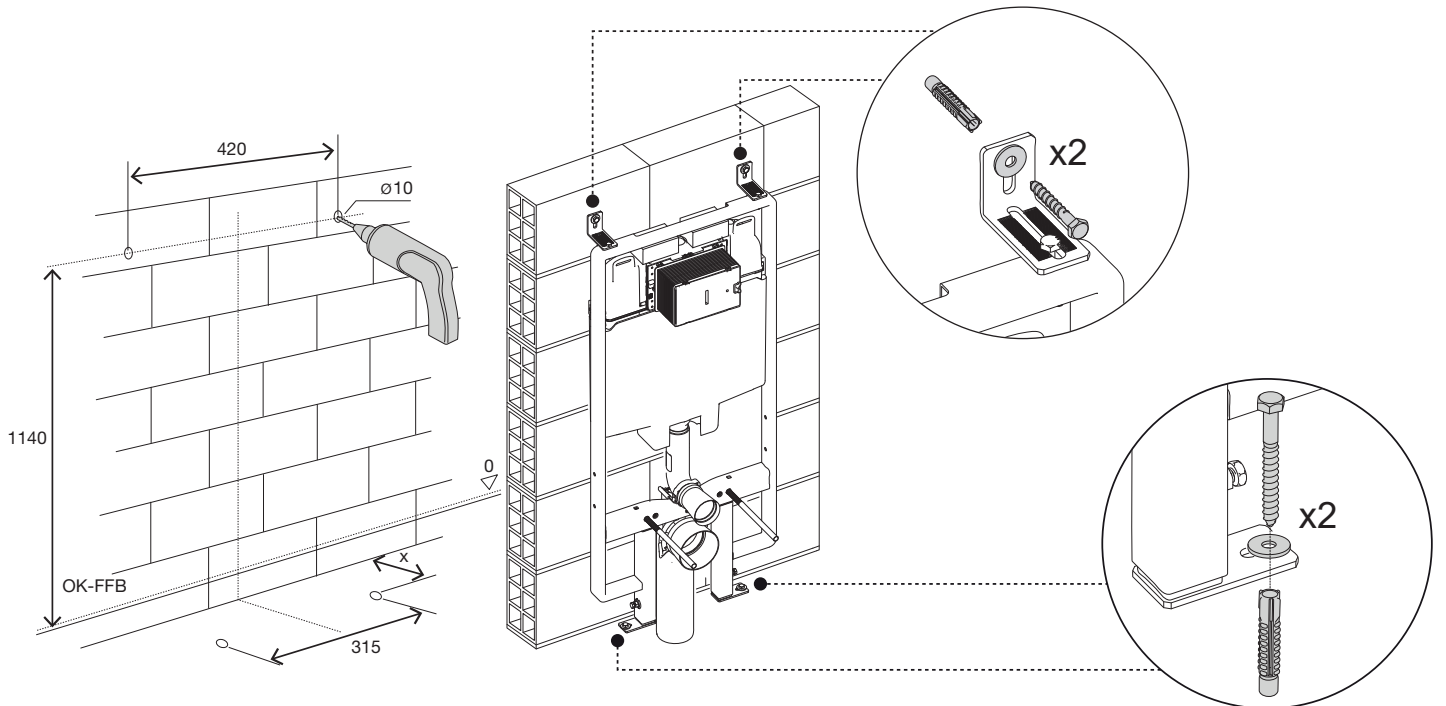
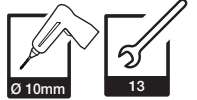
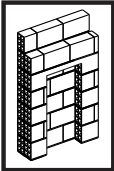
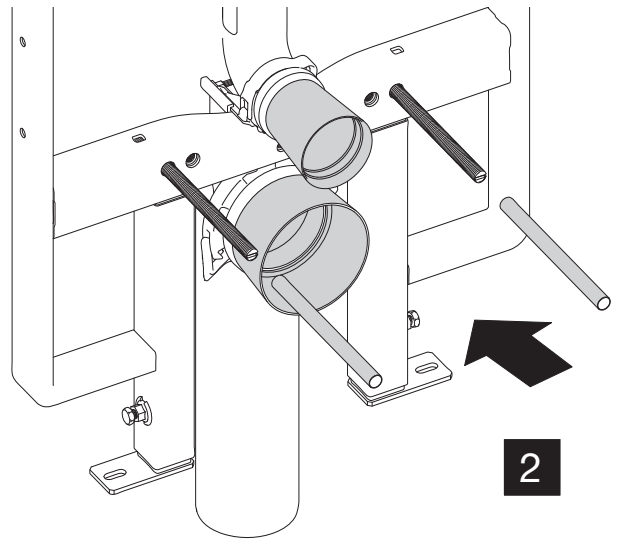


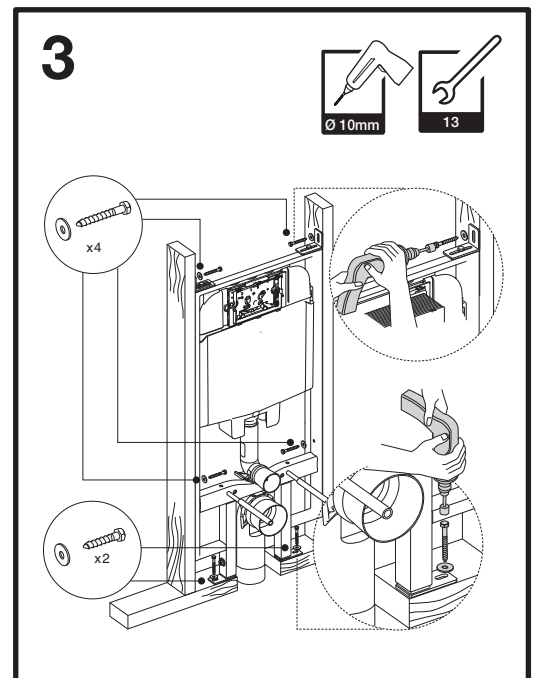
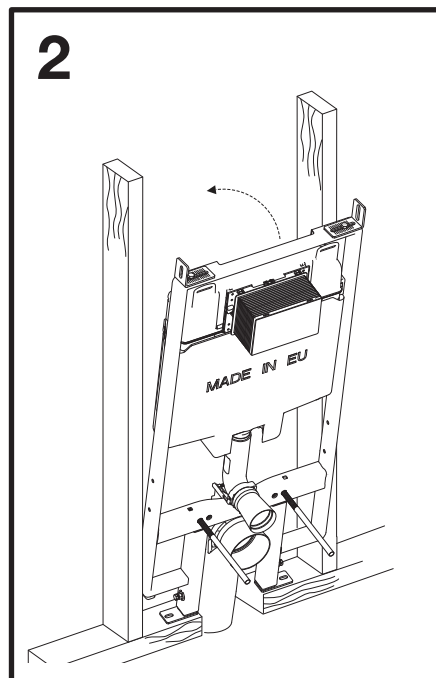
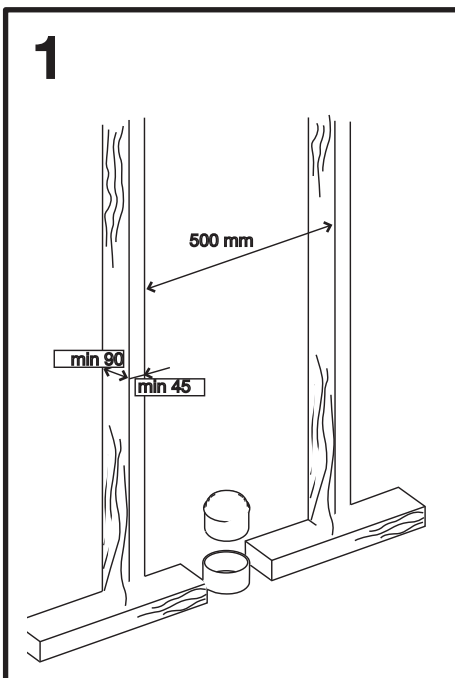
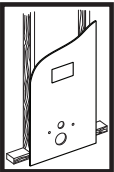
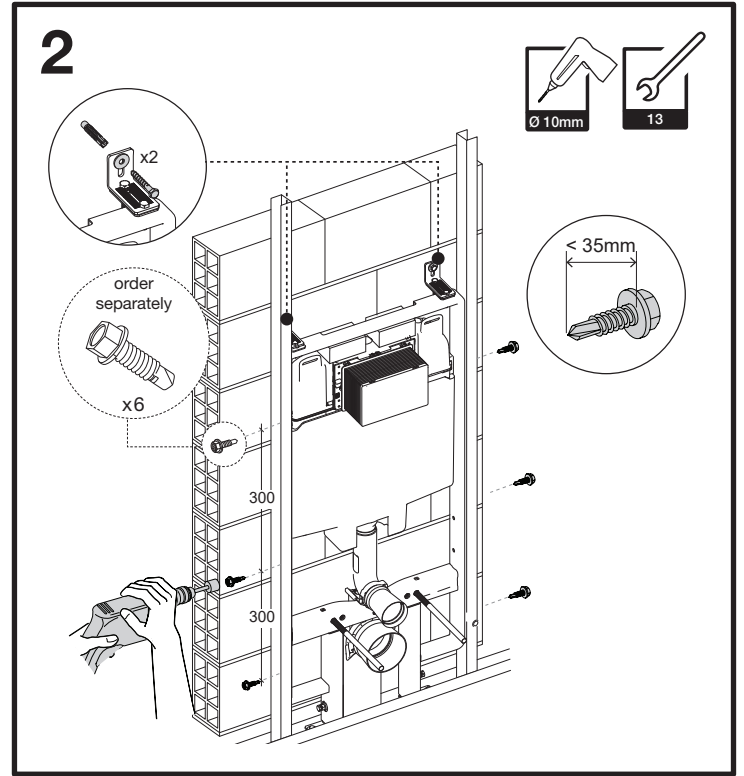
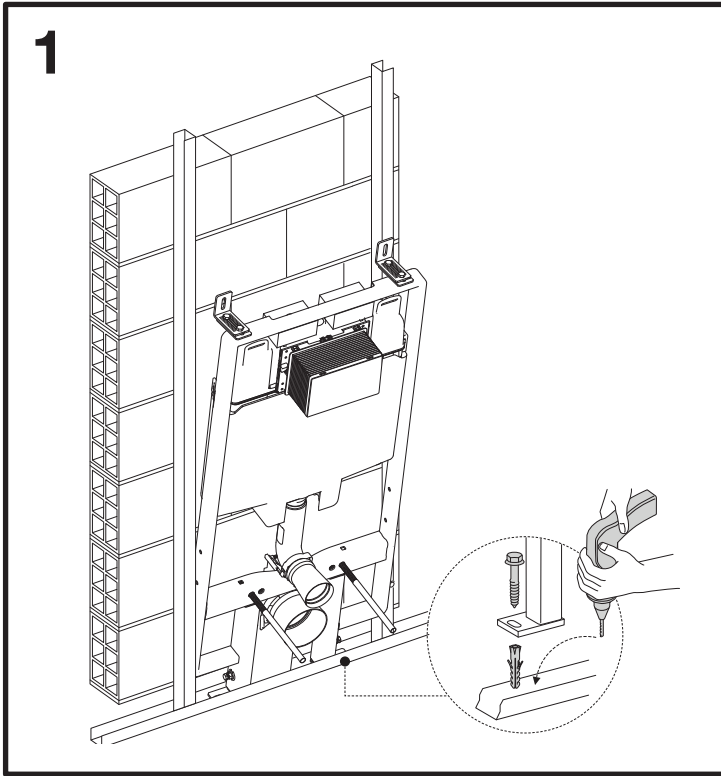
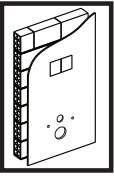
8

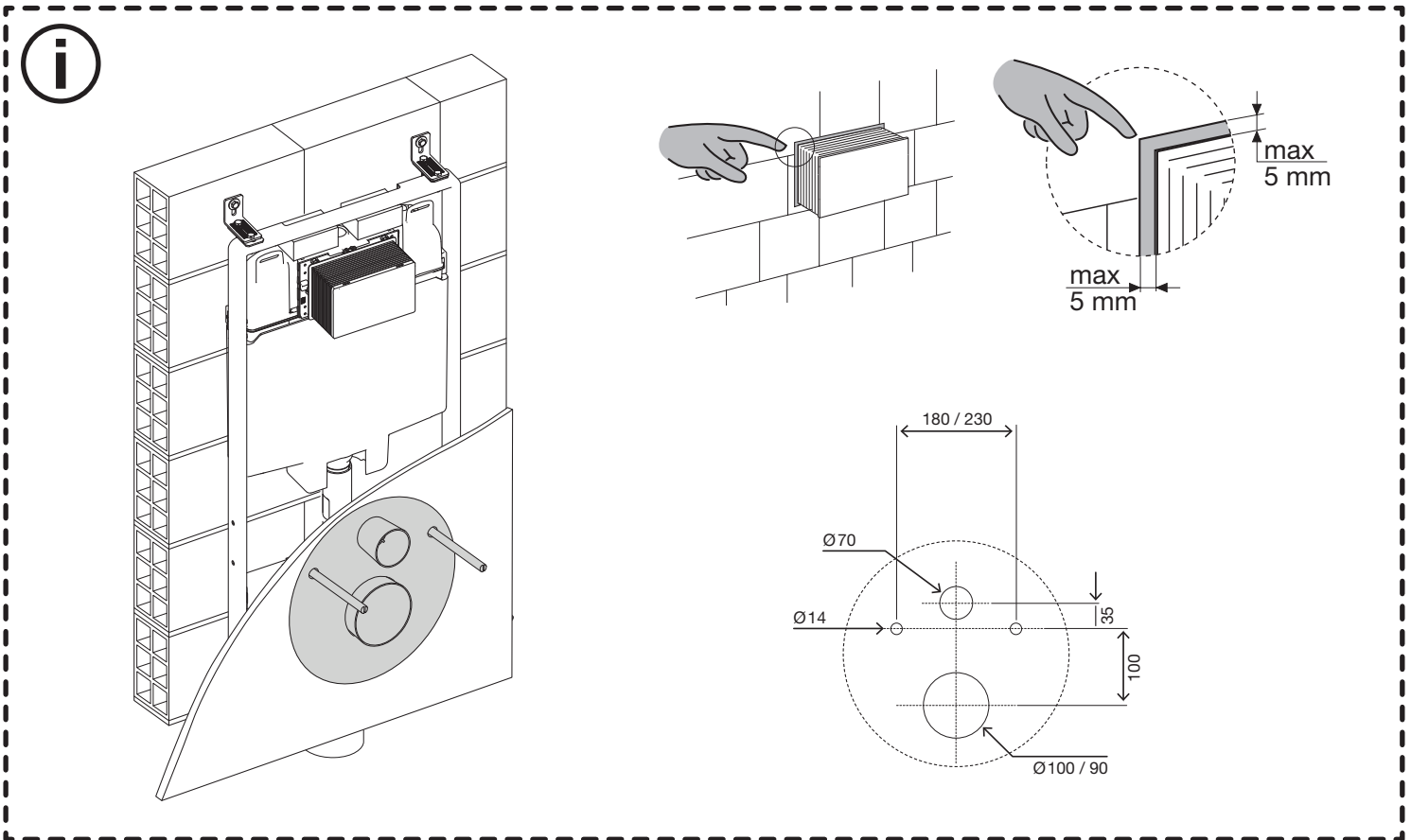
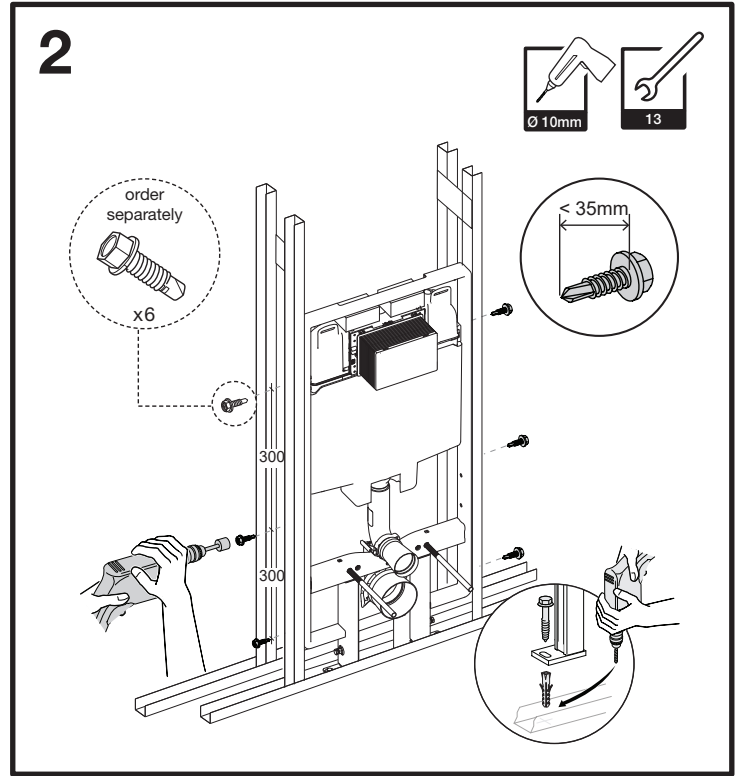
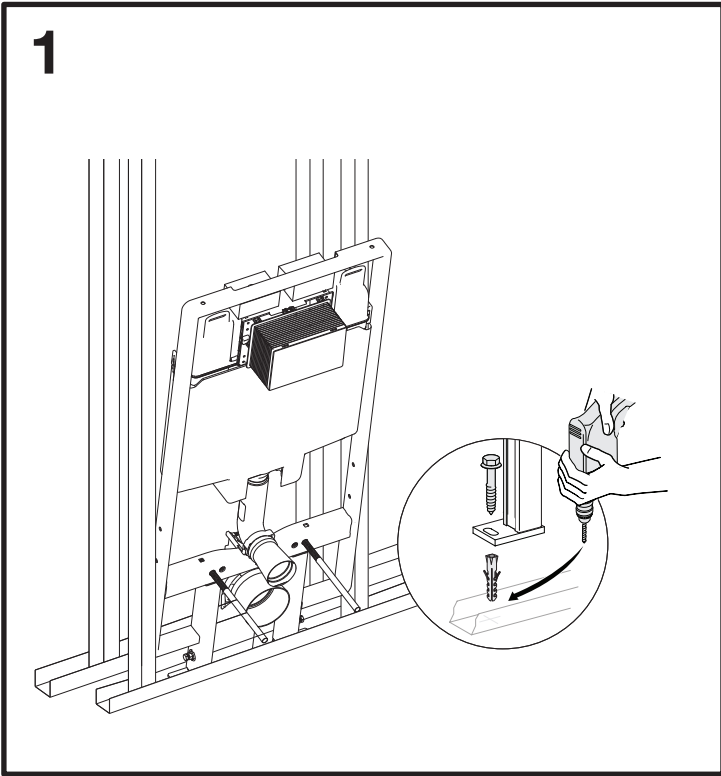
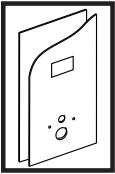
1

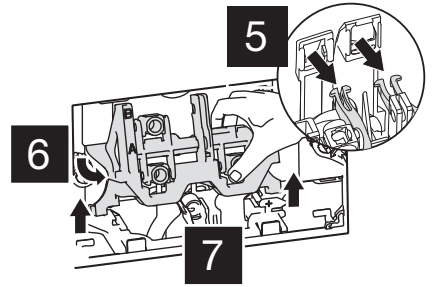
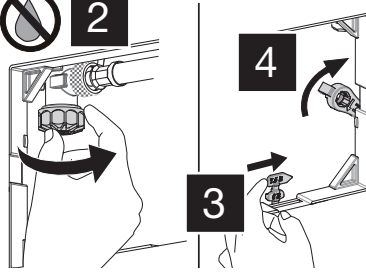
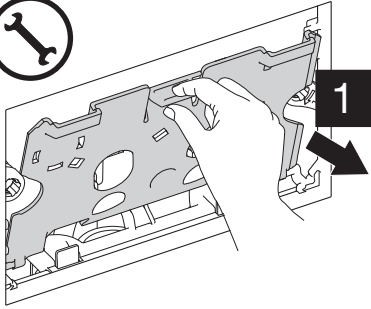


2

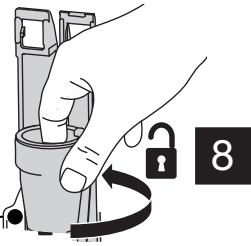








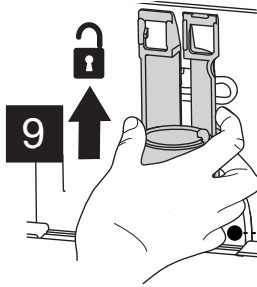
CLICK!!



8



9

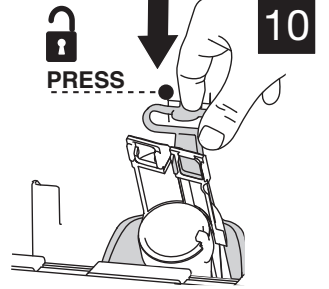


CLICK!!

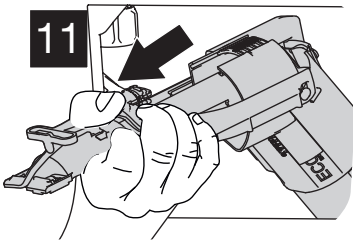


PRESS

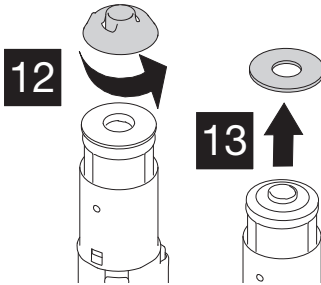
10



11



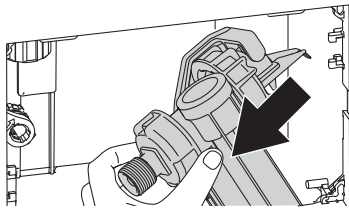
12



13

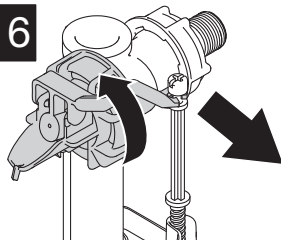


14

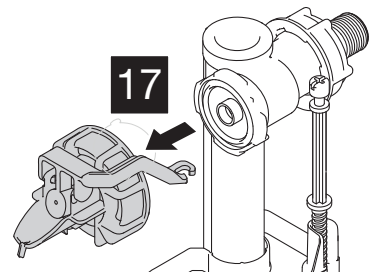


15

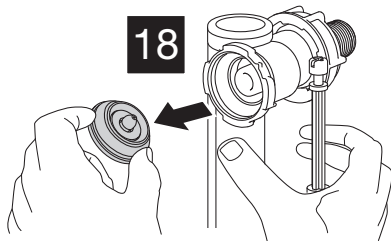
16



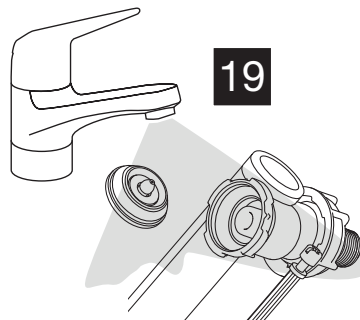
17



18

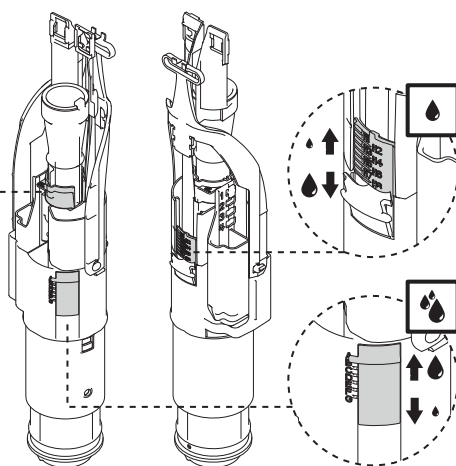
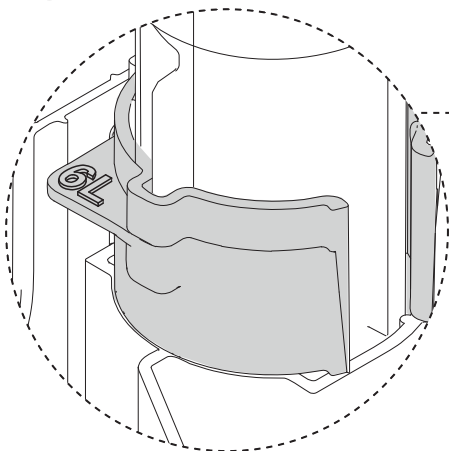


19



i

6L



4.5L

