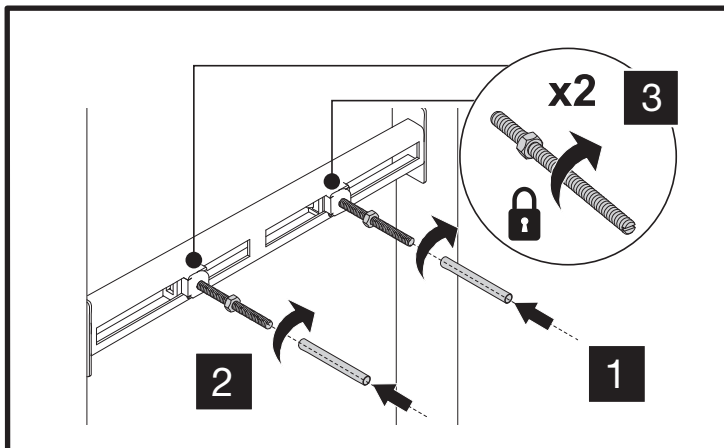
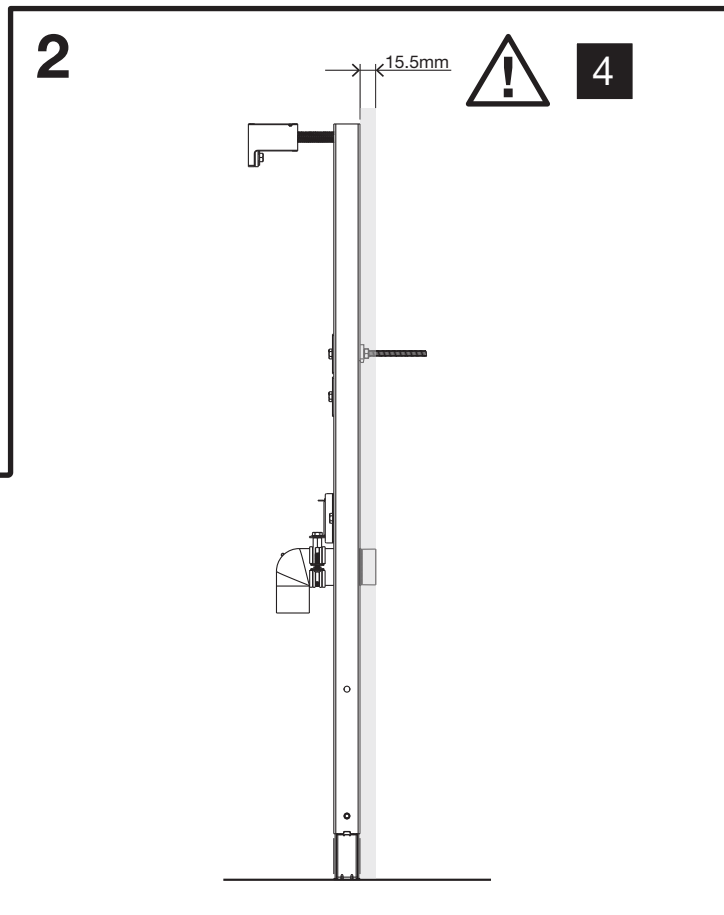
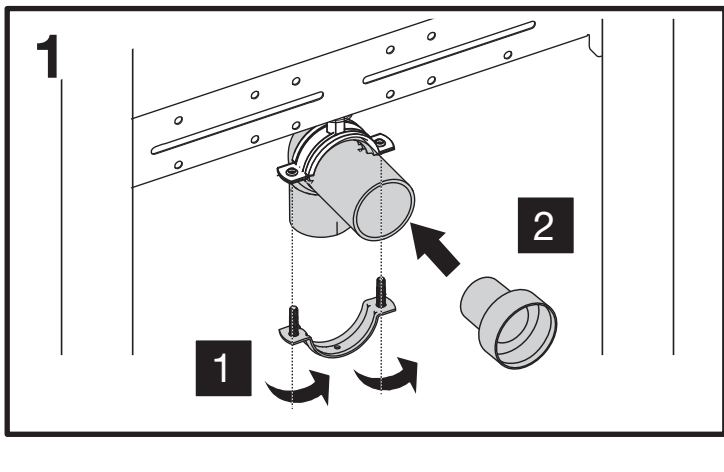
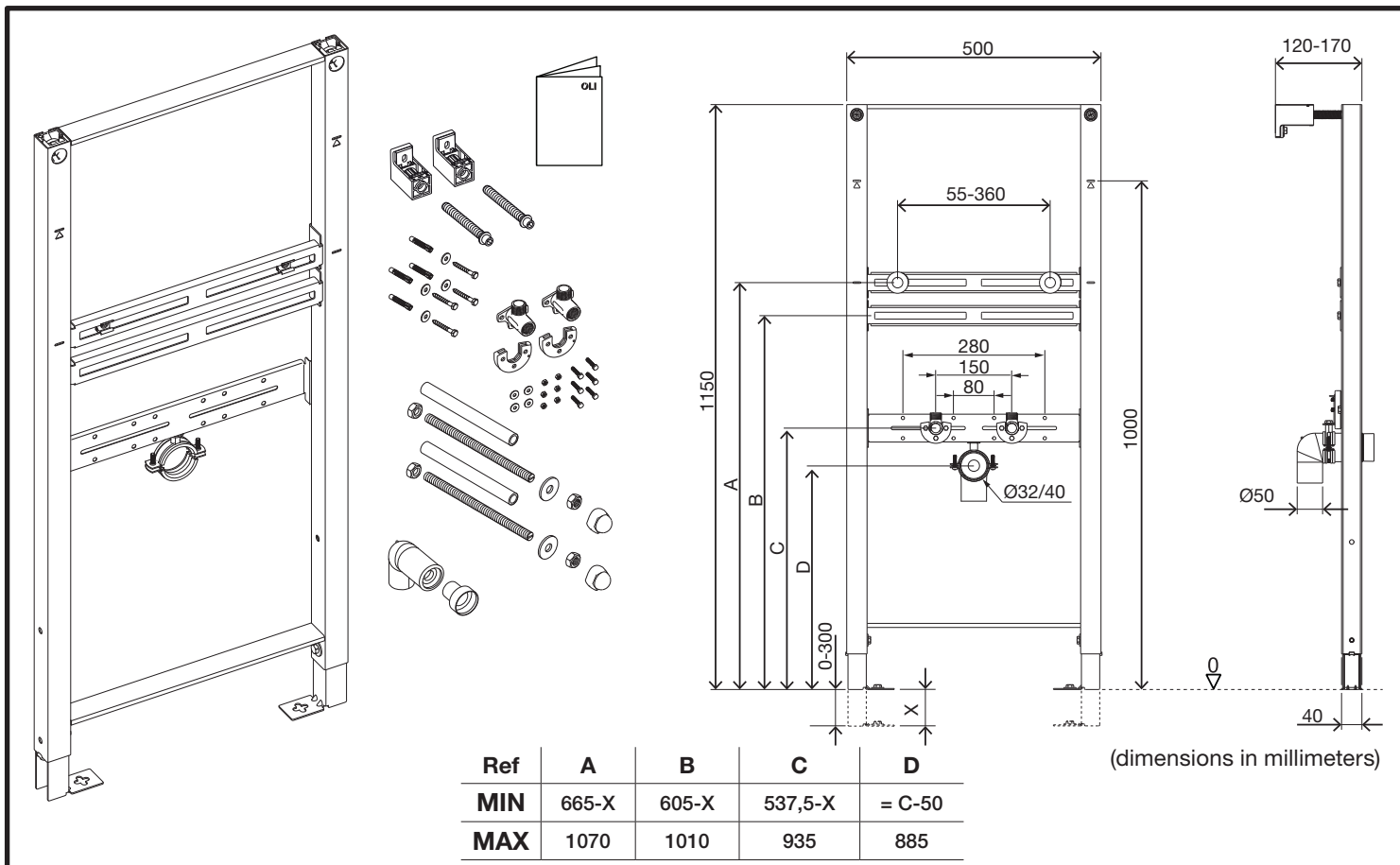
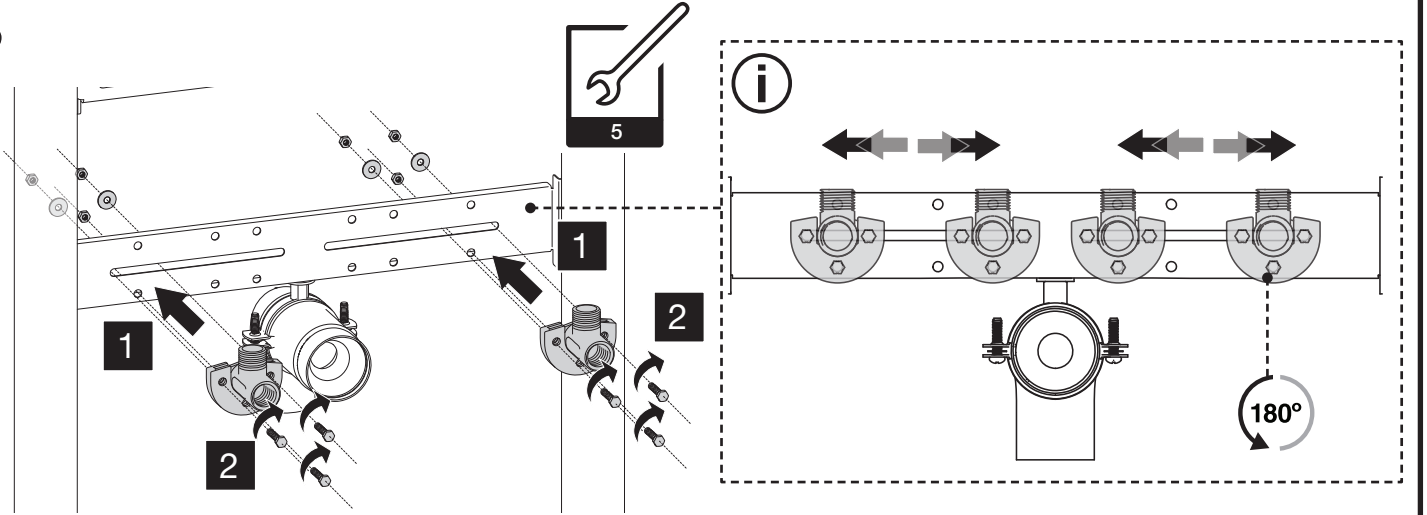


WASHBASIN

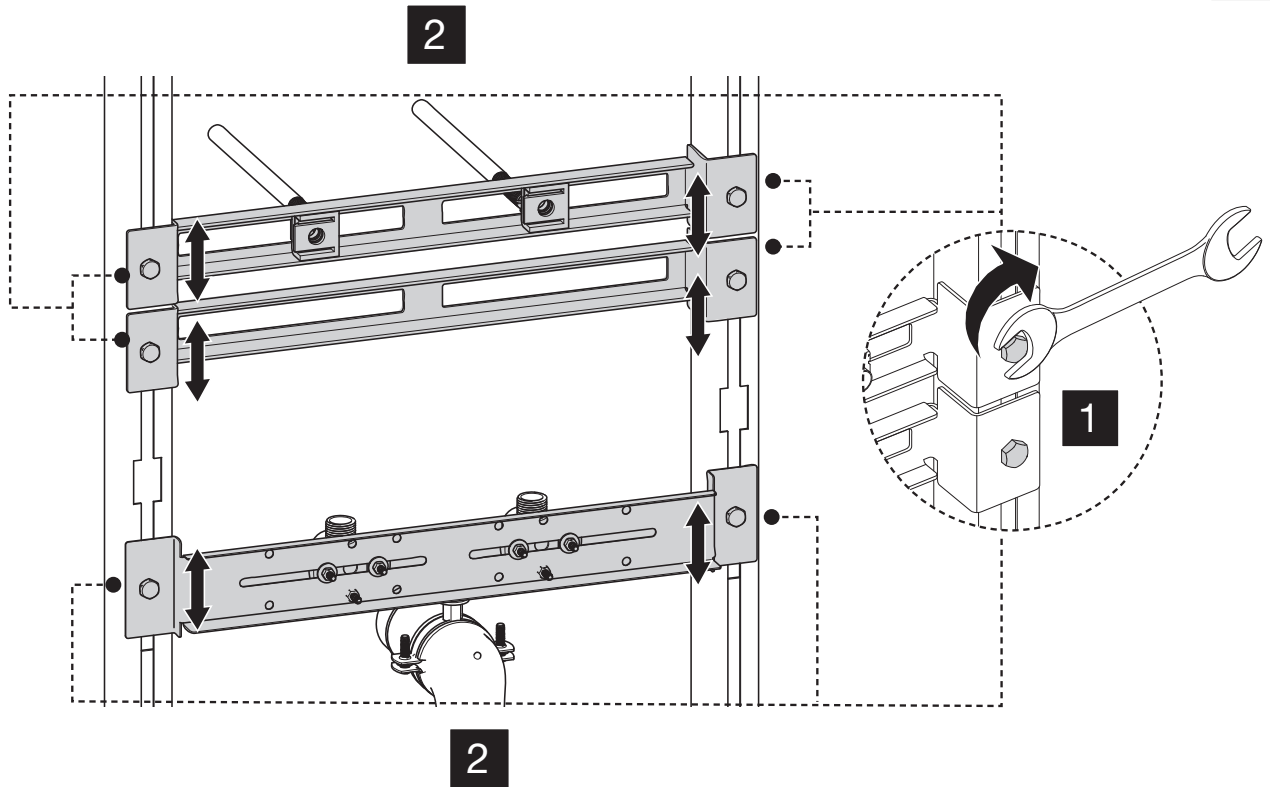
SANITARBLOCK



3



i



5

