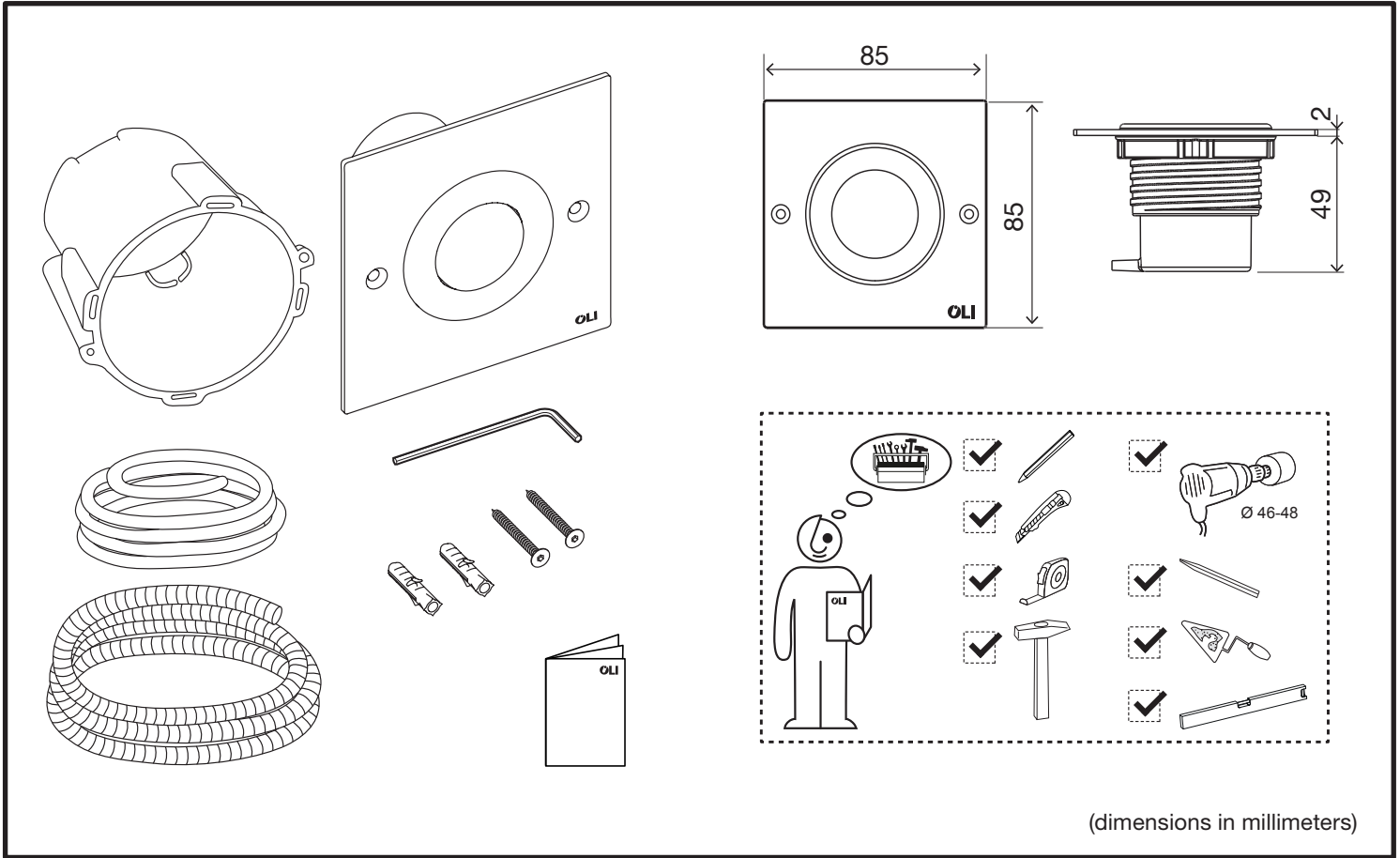


MONO TREND

PNEUMATIC



(dimensions in millimeters)

