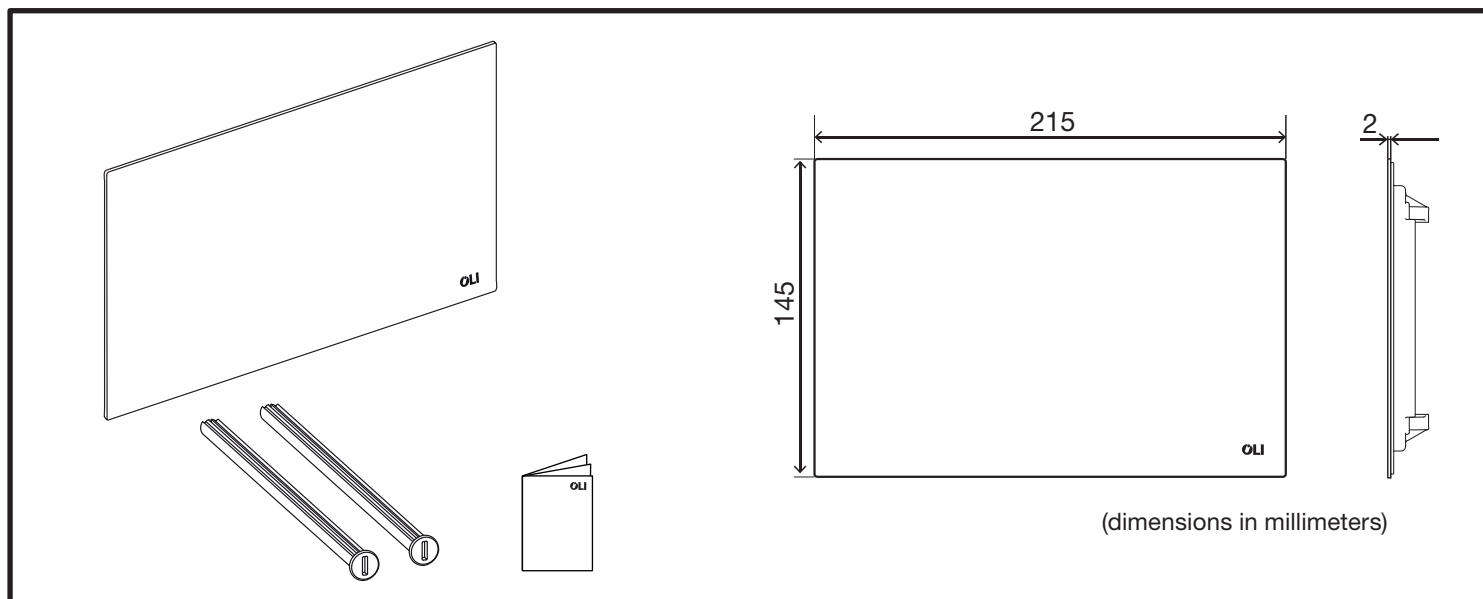
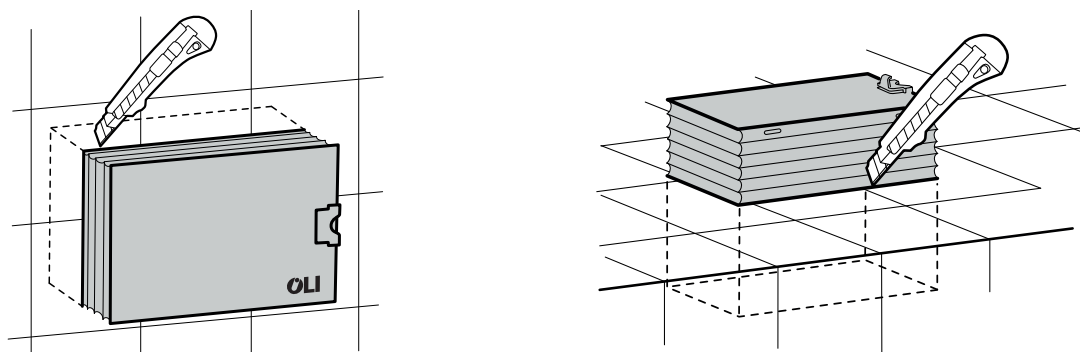


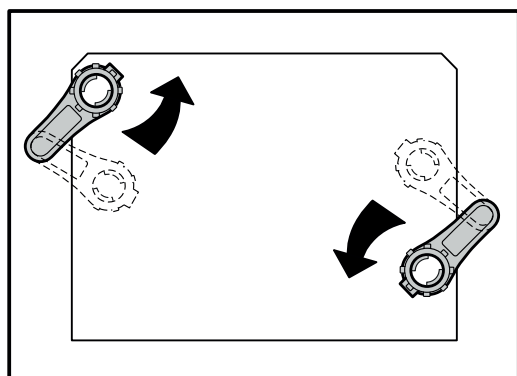
# INSPECTION PLATE



1



2



3

