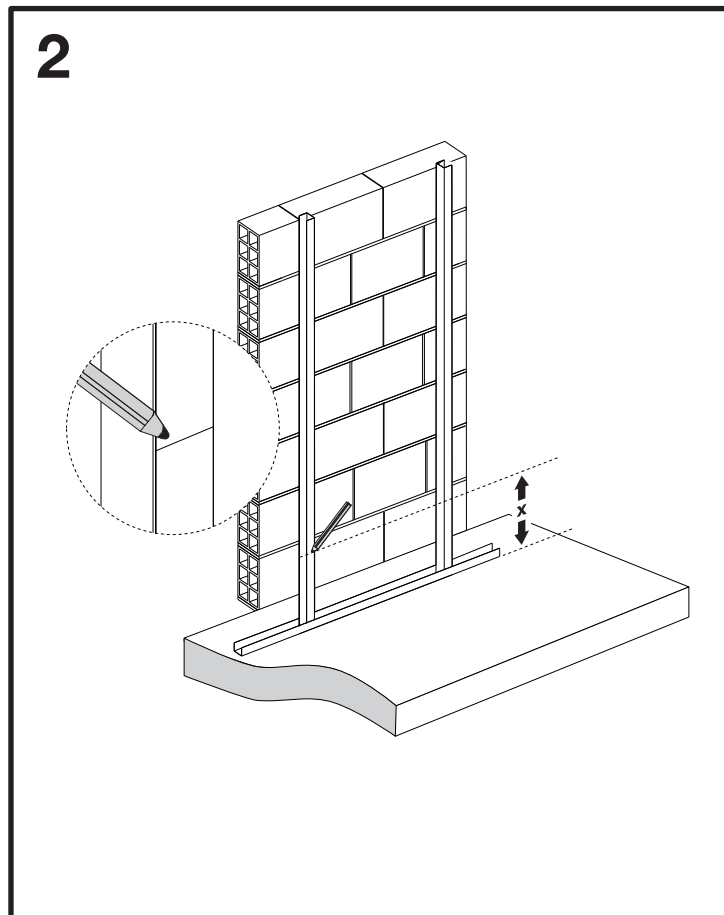
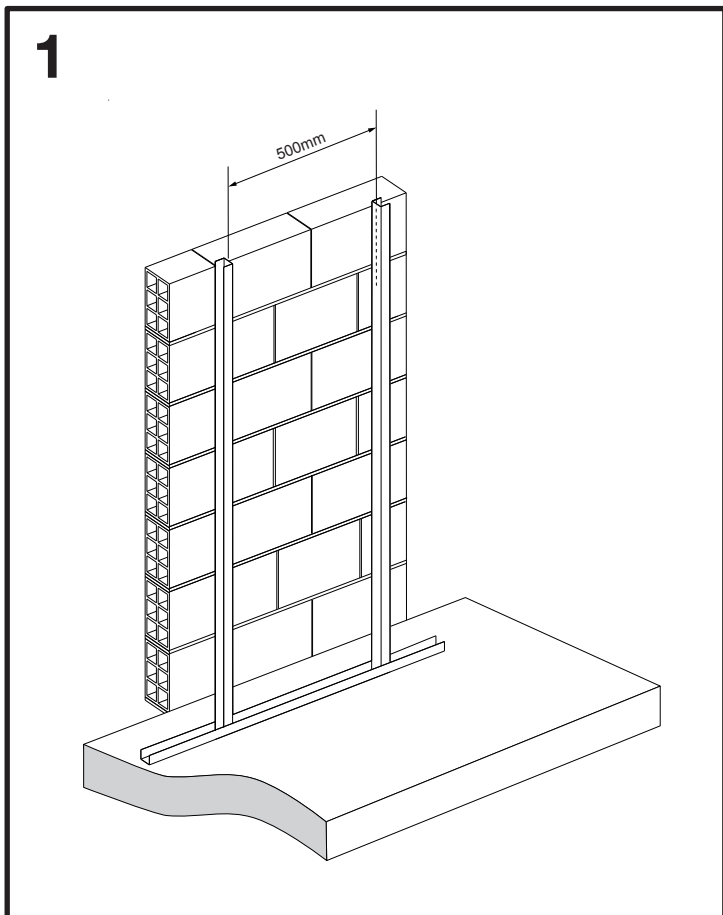
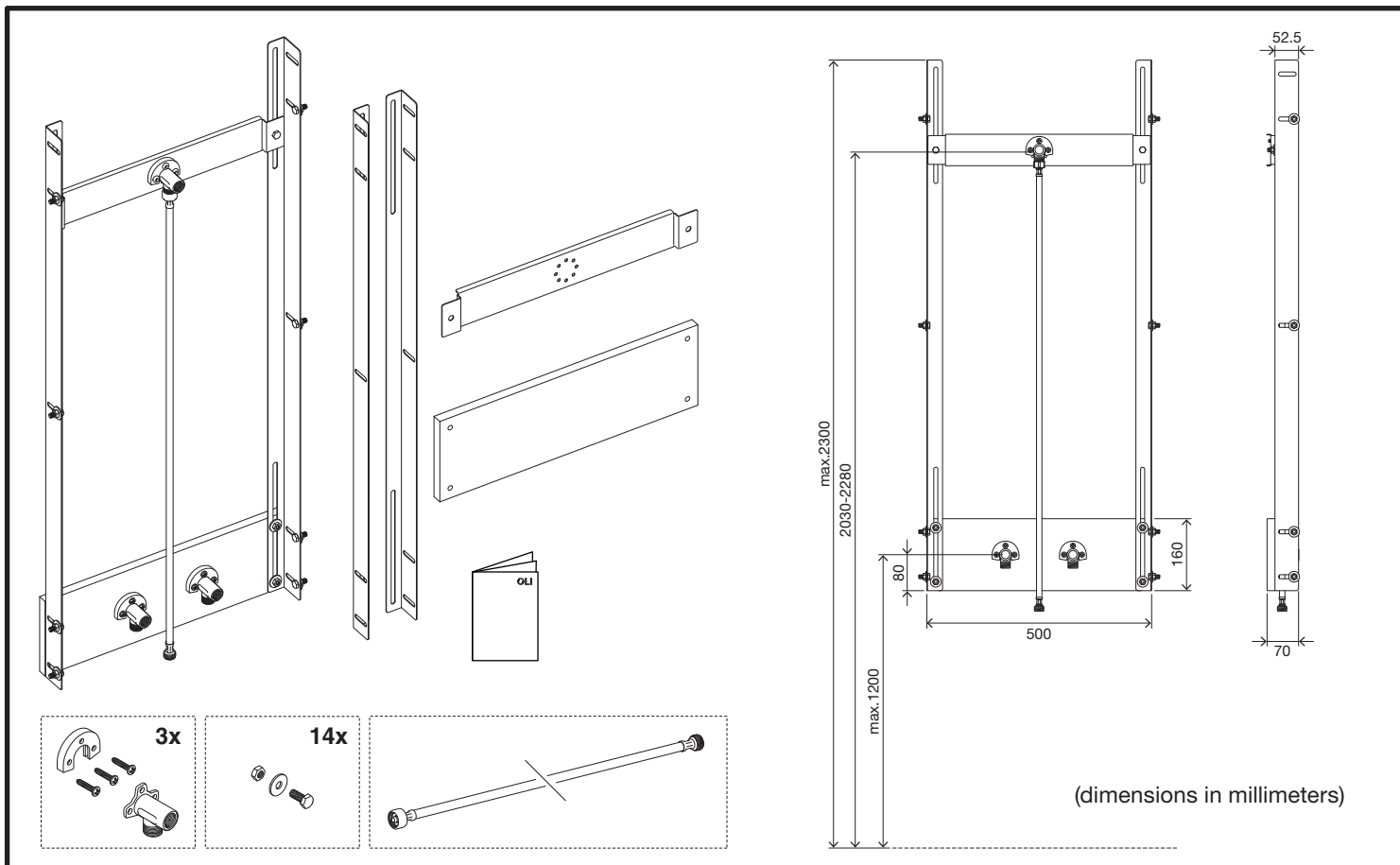
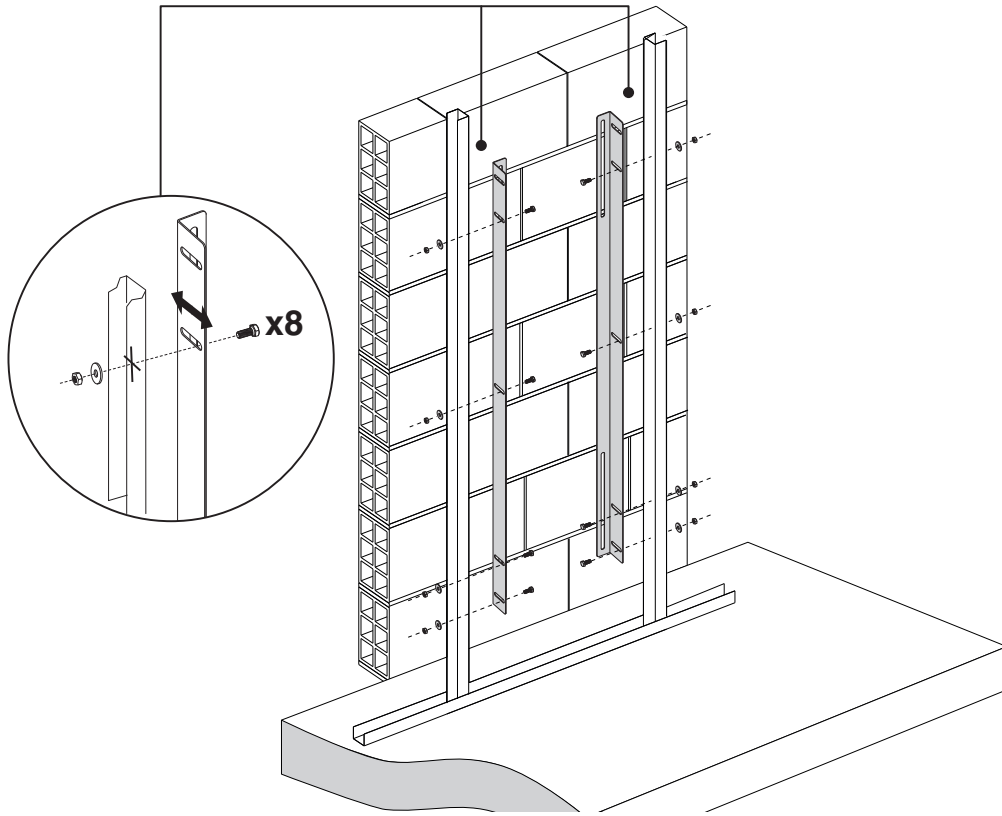


SHOWER FRAME

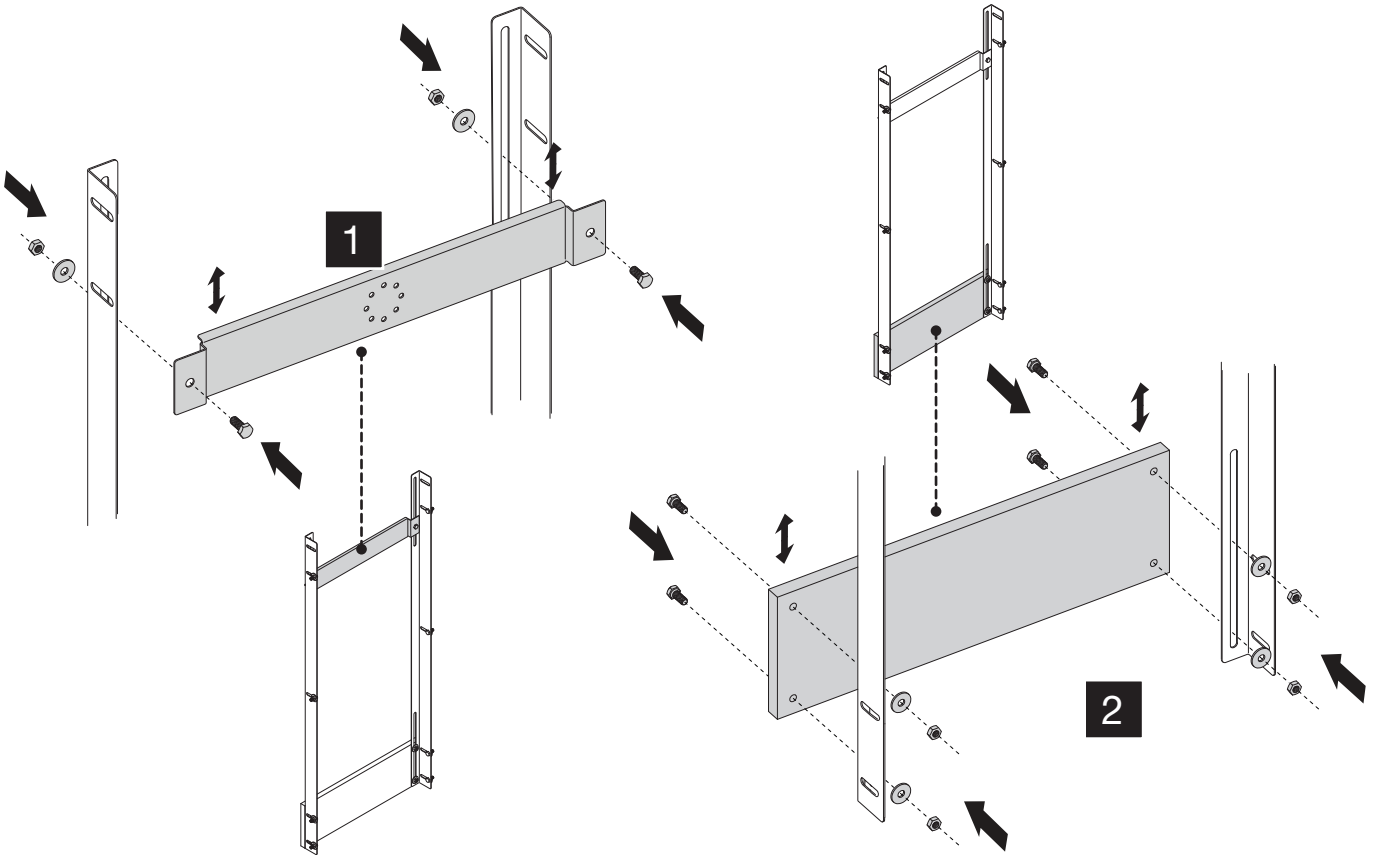
SANITARBLOCK



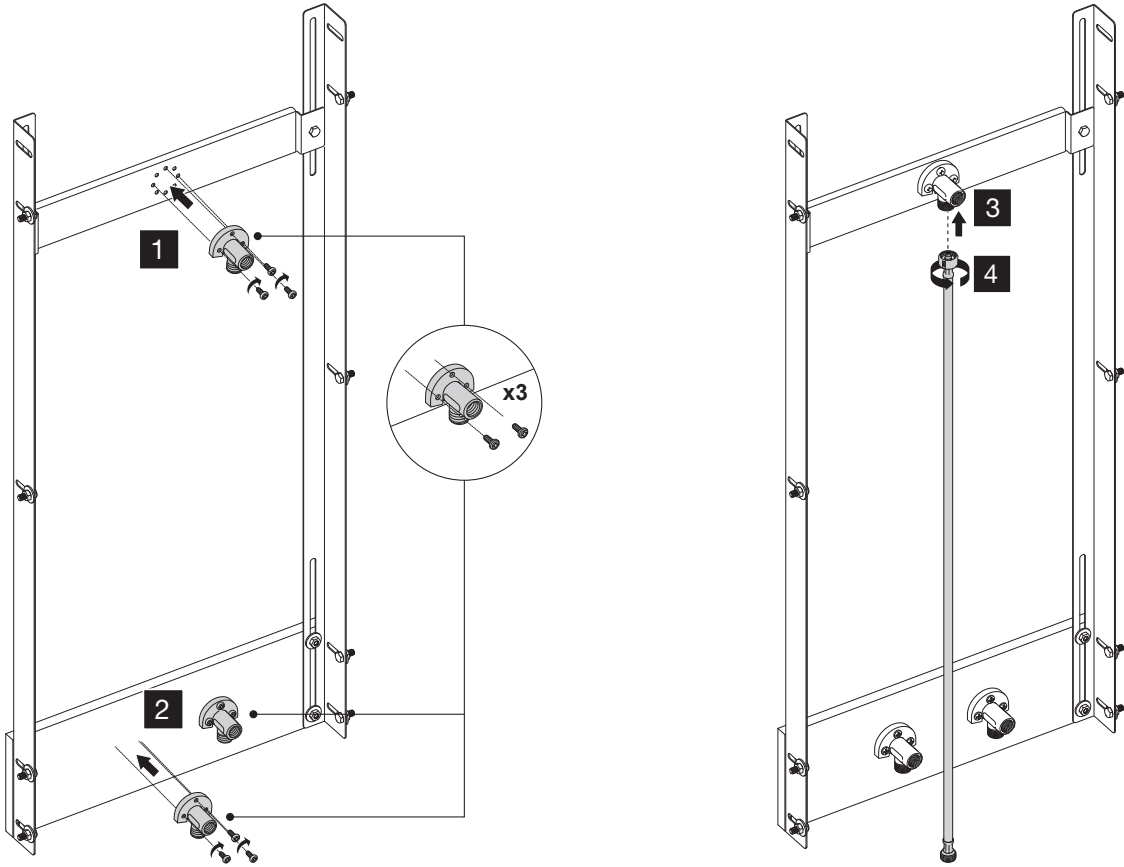
2.1



3



4



5

