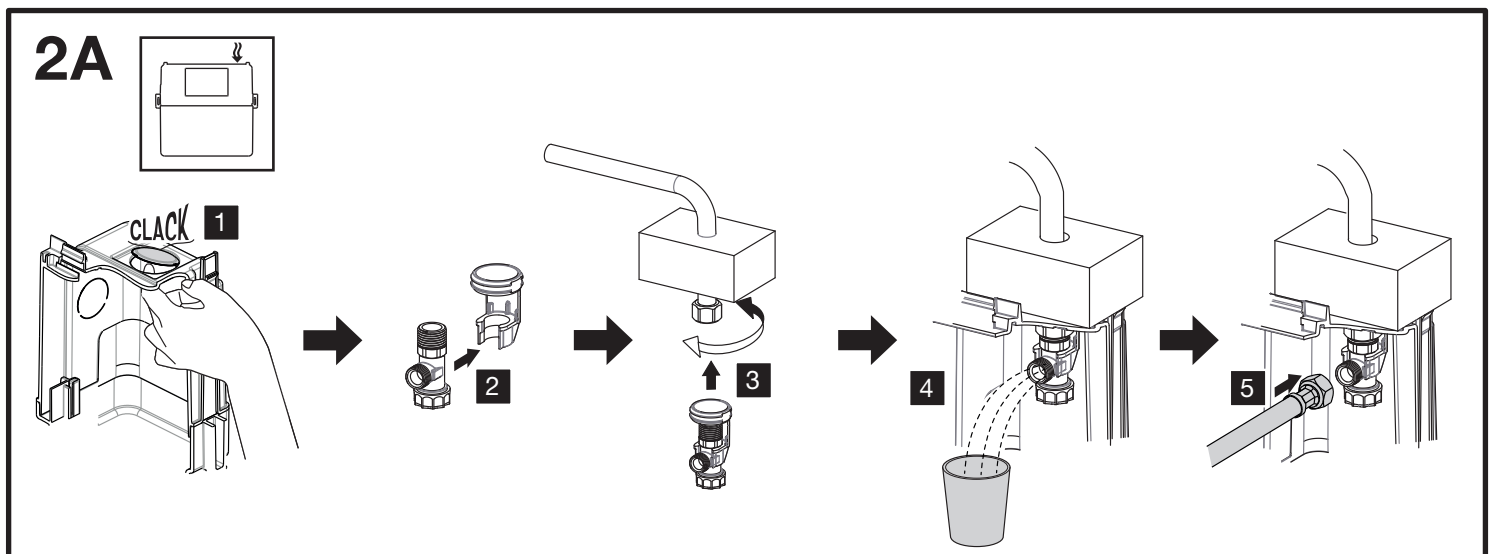
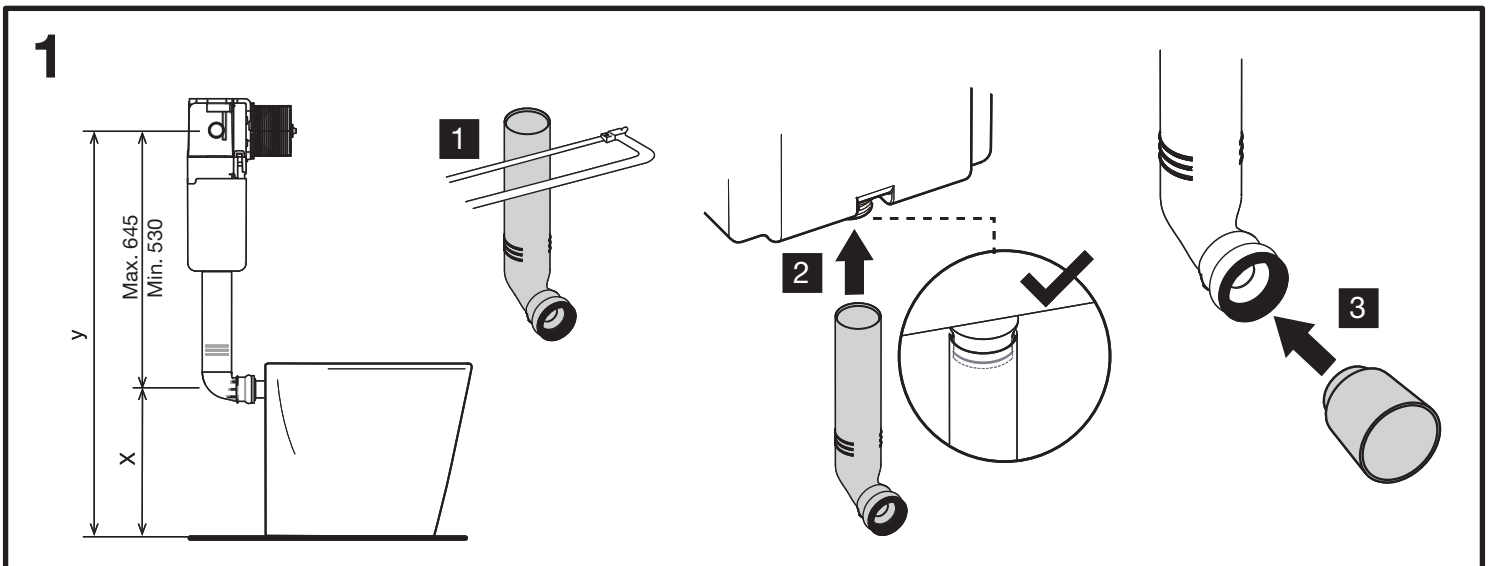
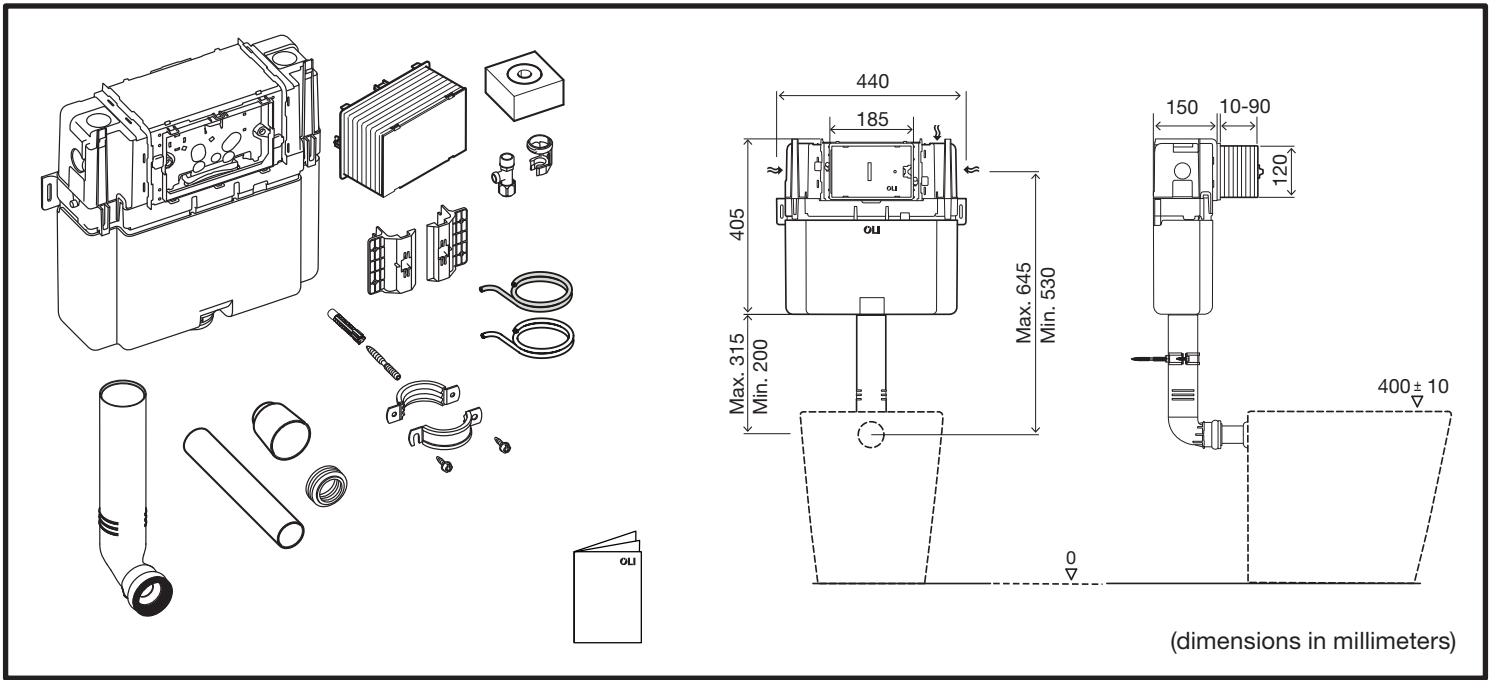
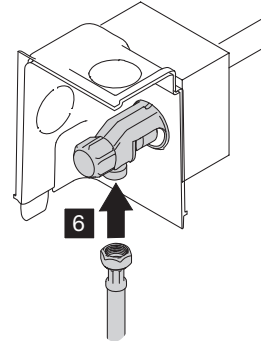
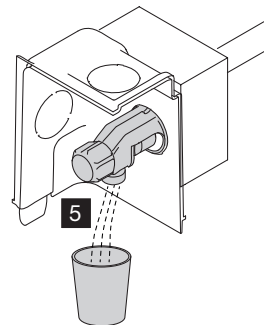
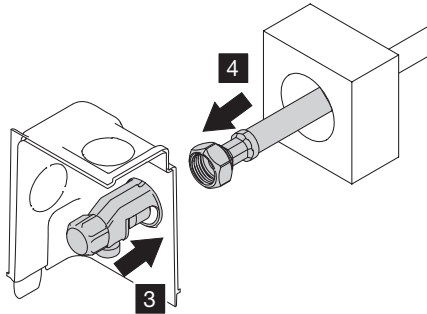
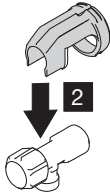
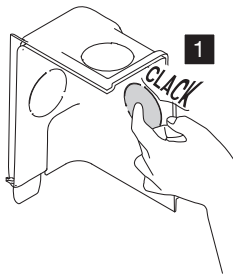
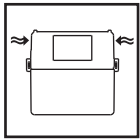


EXPERT PLUS

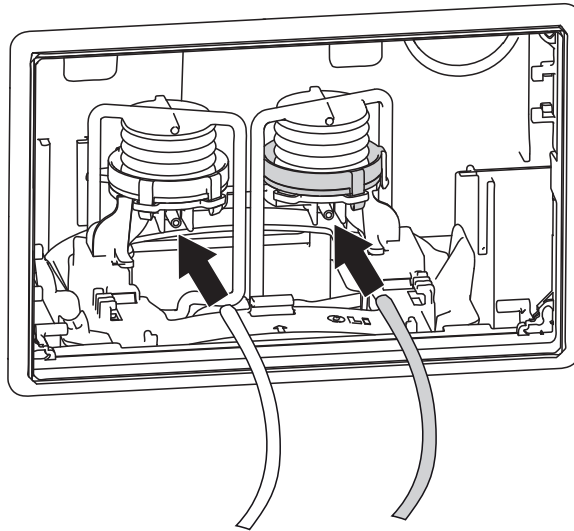
PNEUMATIC



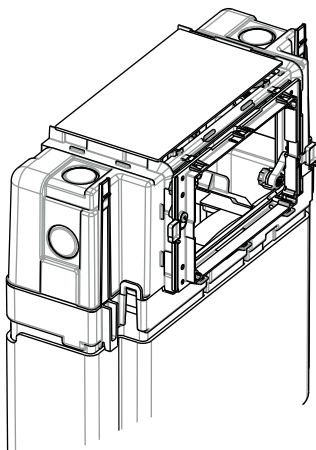
2B



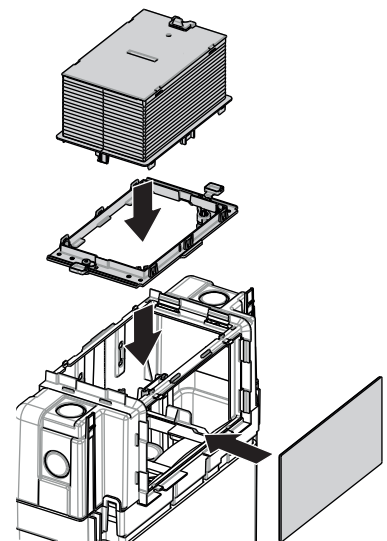
3

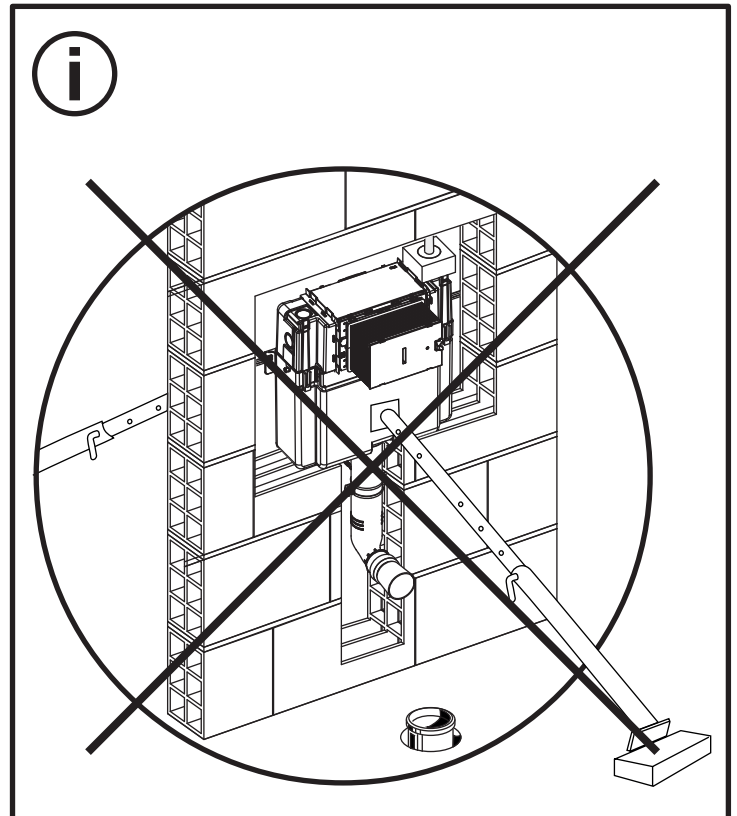
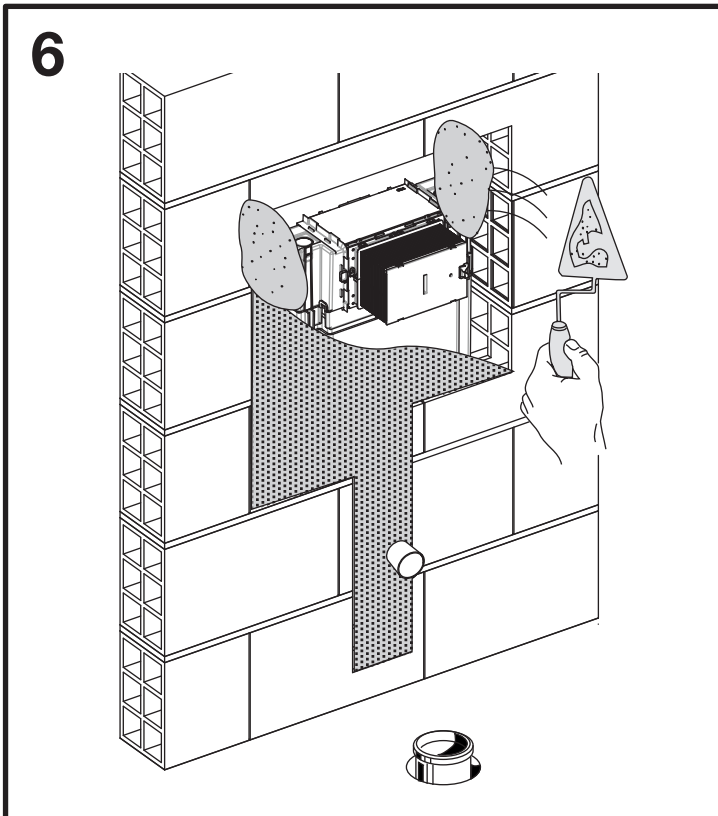
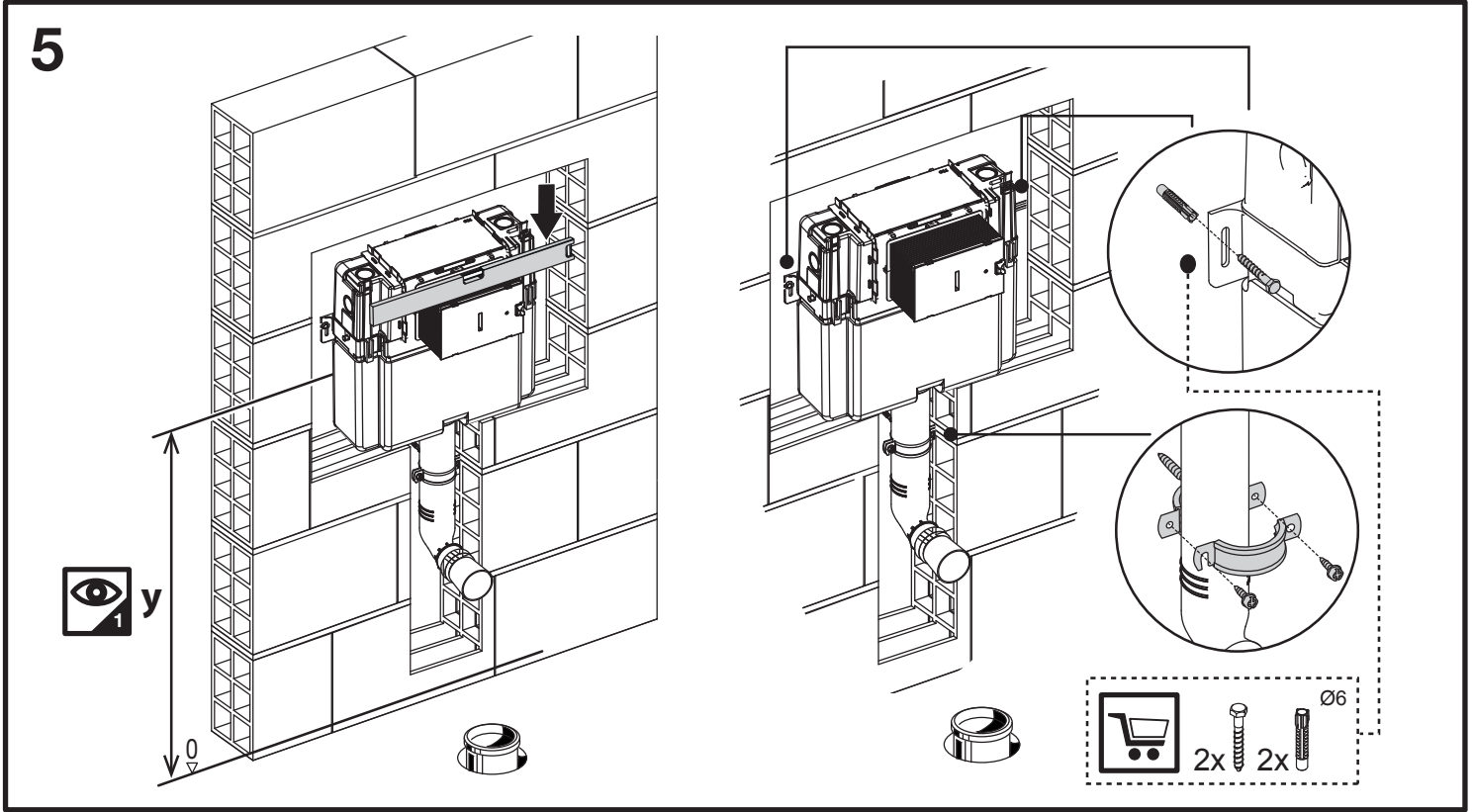
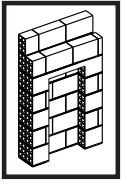


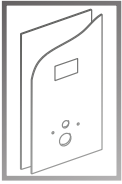
4 FRONT



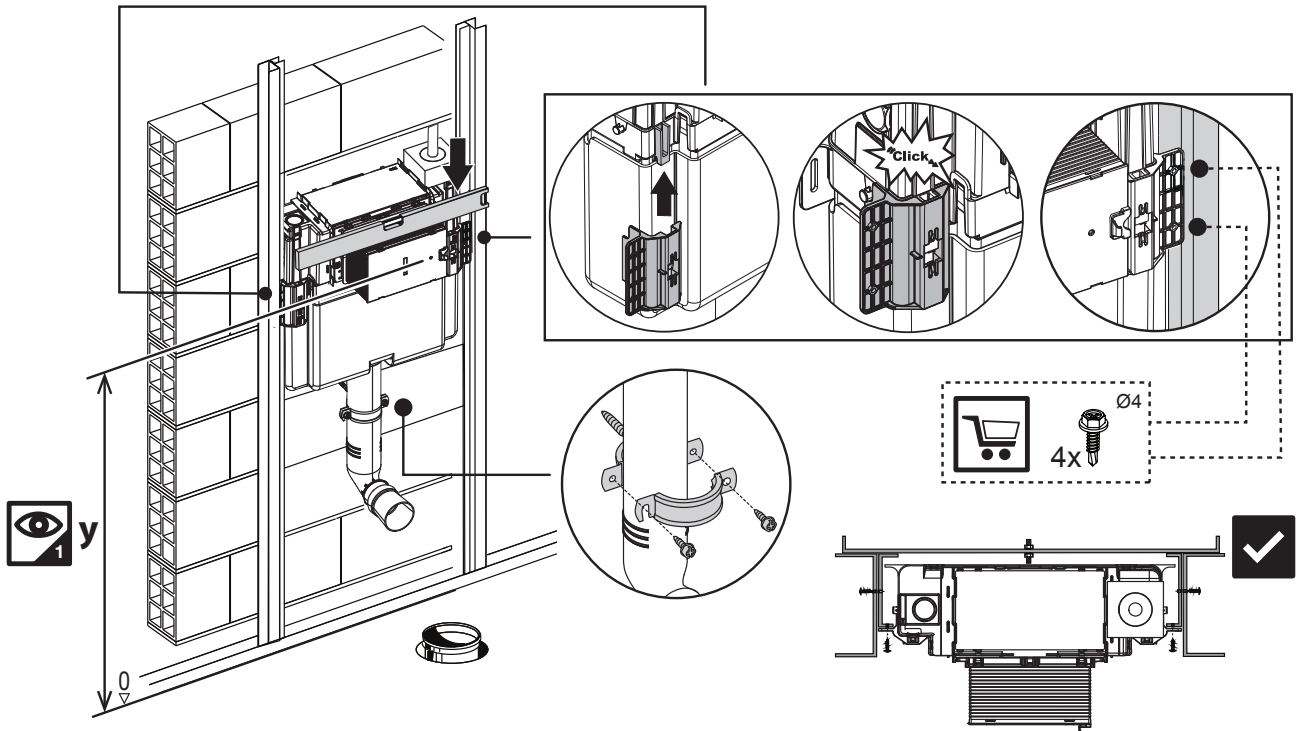
TOP







6



7

