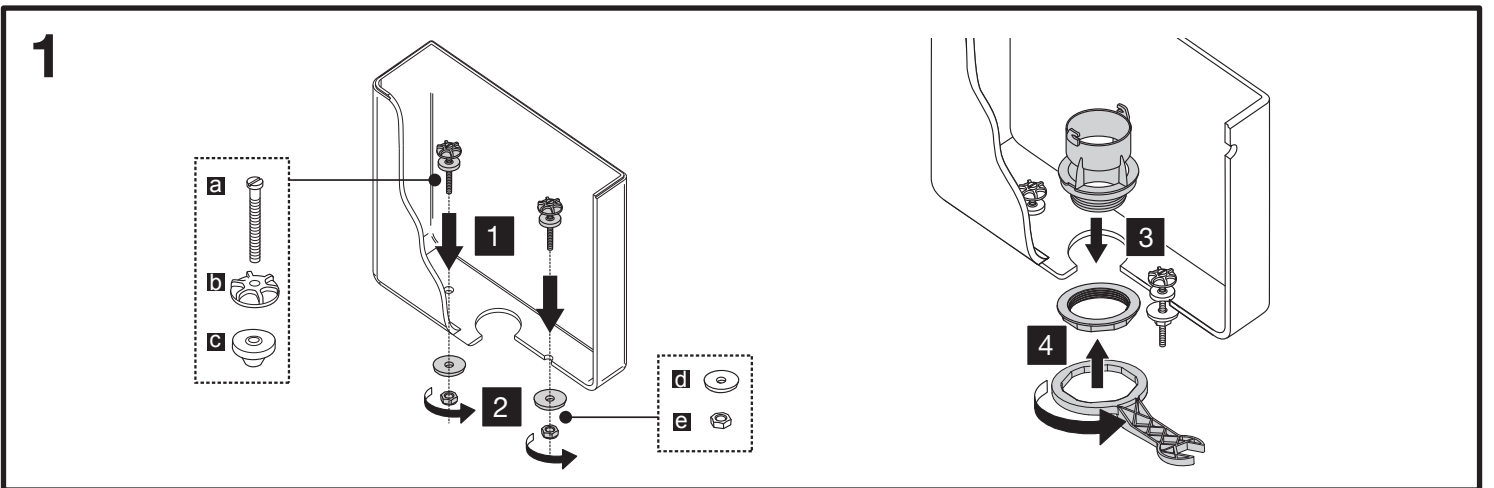
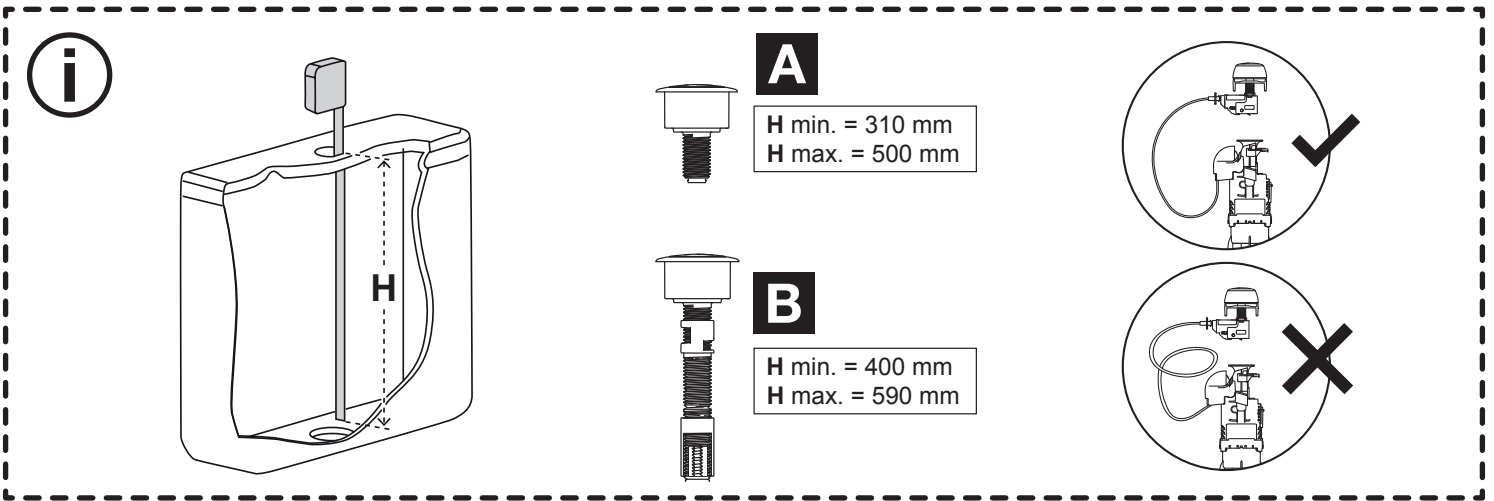
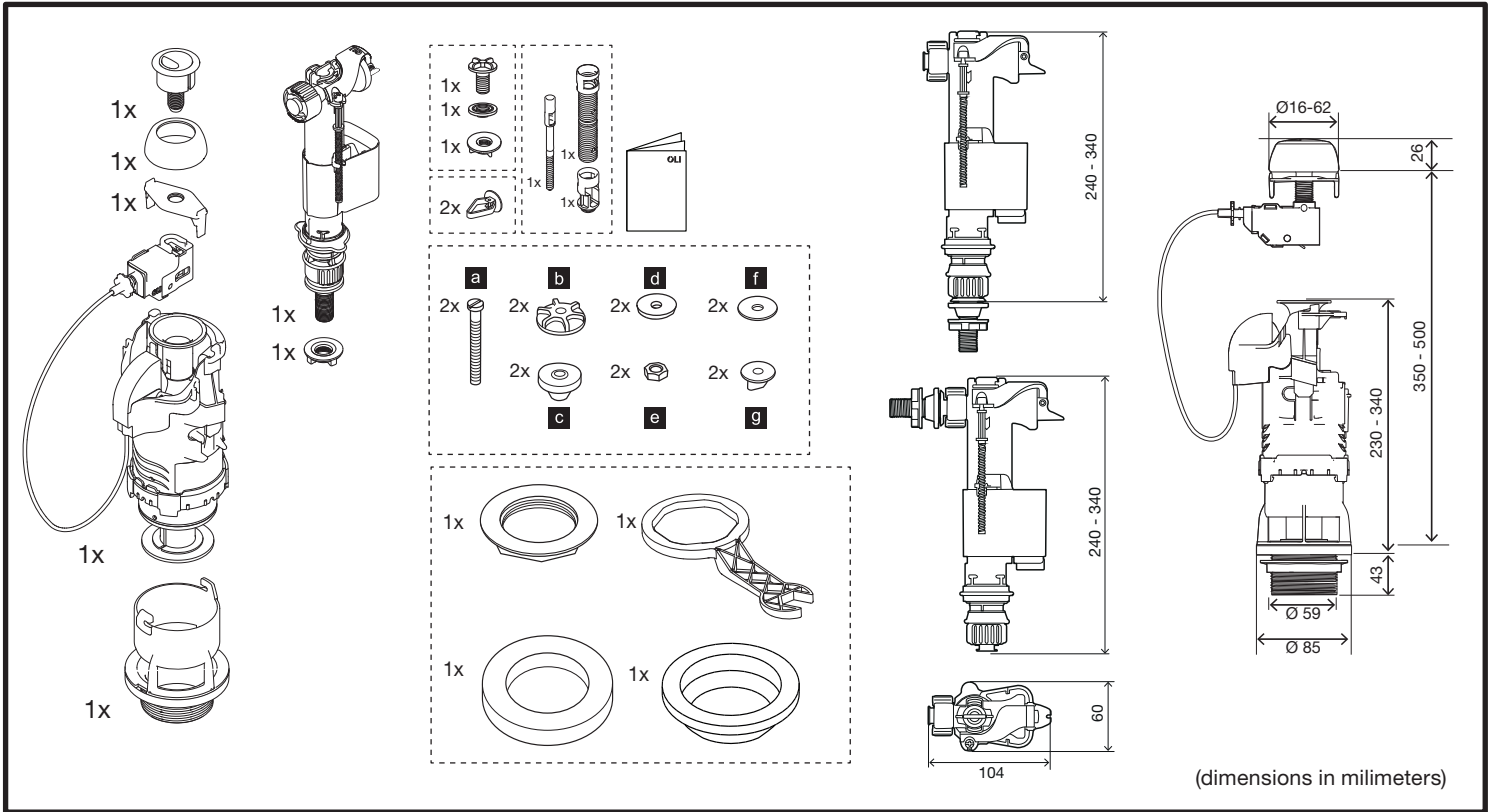
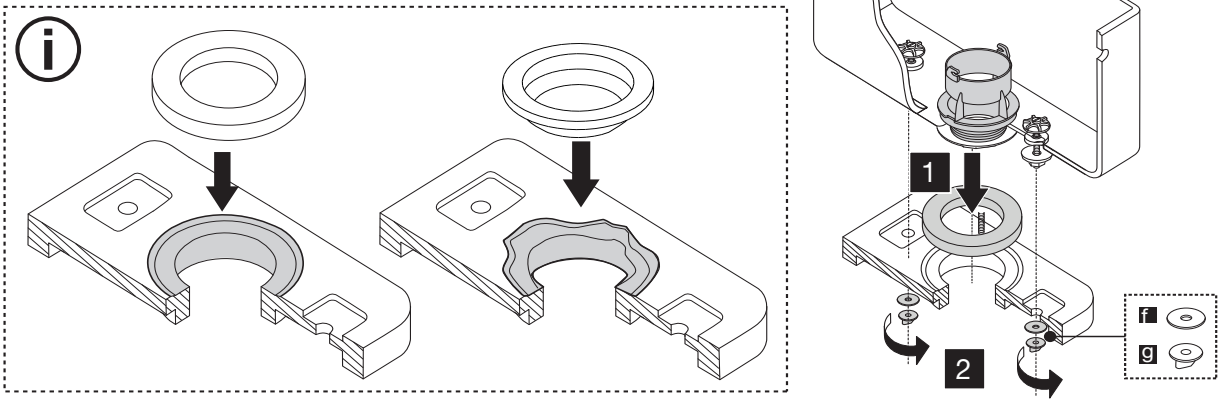


IVC 100 + DECO CABLE

Dual flush mechanism kit, side/bottom connection



2

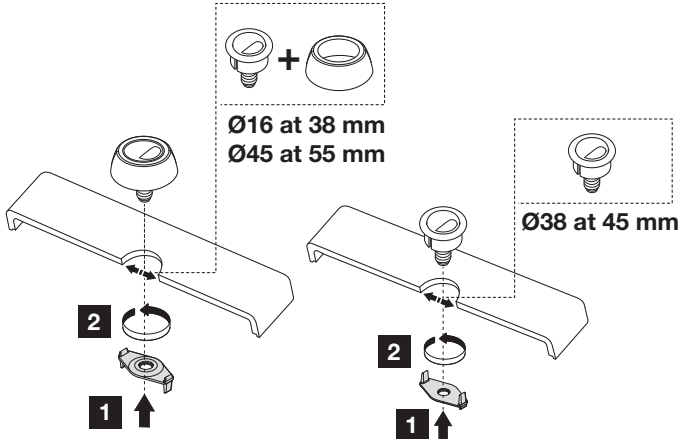


3

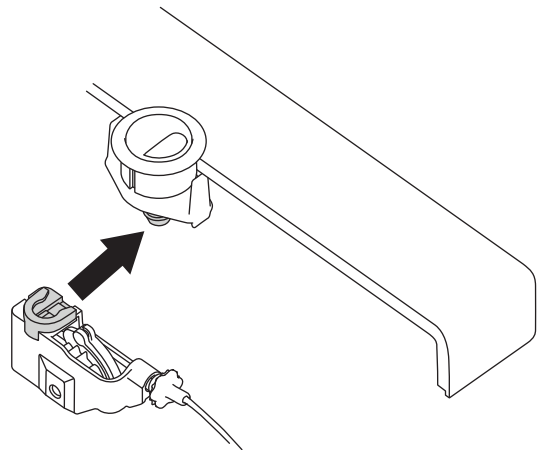


Ø16 at 38 mm
Ø45 at 55 mm

Ø38 at 45 mm



4 A

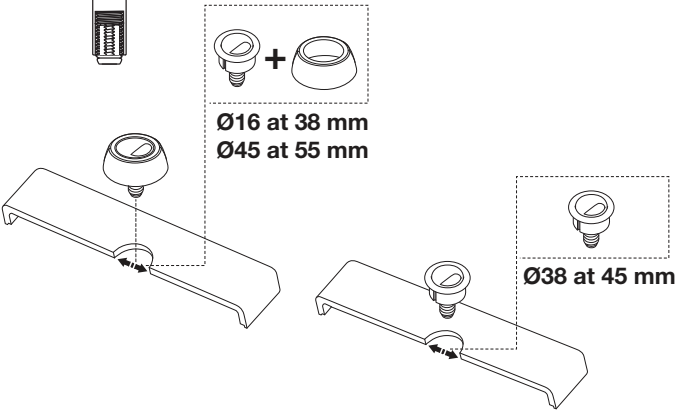


3

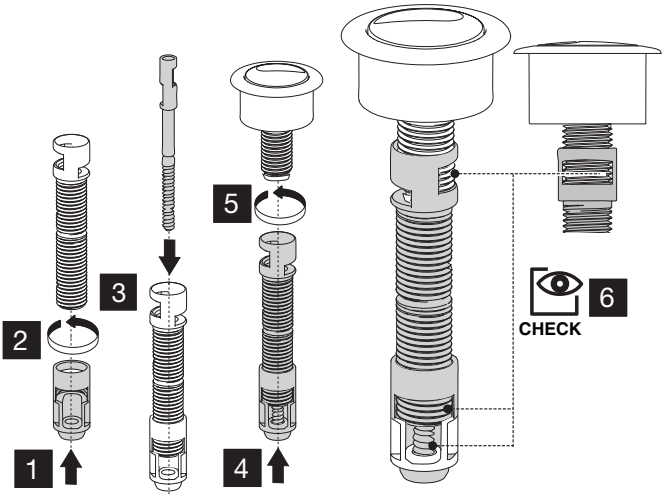
B

Ø16 at 38 mm
Ø45 at 55 mm

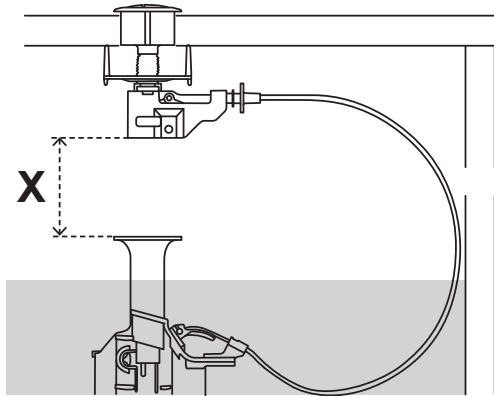
Ø38 at 45 mm



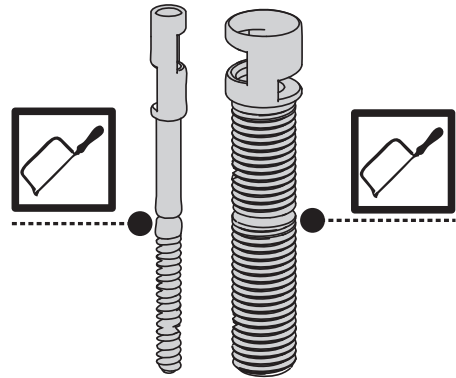
3.1 B



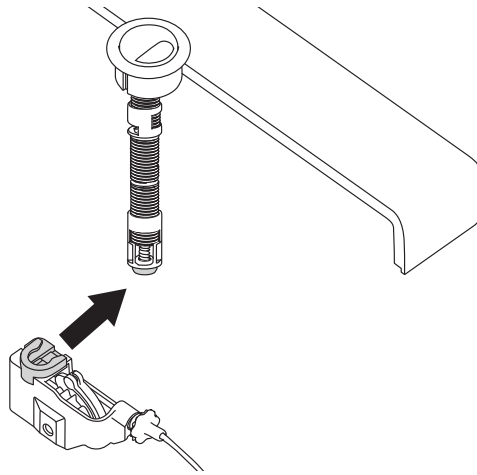
i **B**



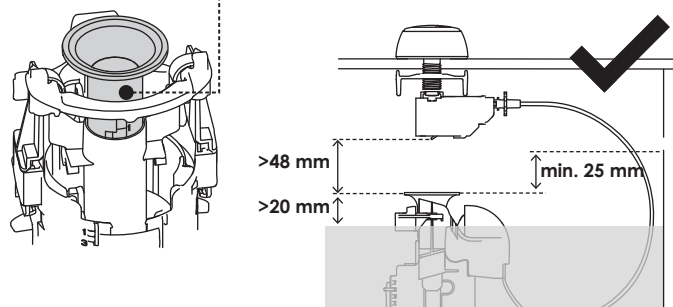
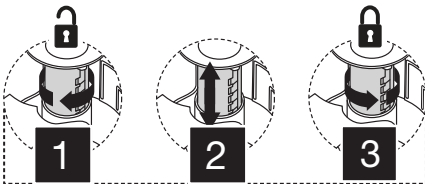
IF $X > 48\text{mm}$



4 **B**



5



6

